

PD2SYS-72 SERIES

HEATED DISPLAY SYSTEMS



PD2SYS-72



- HALO HEAT ... a controlled, uniform heat source that gently holds and surrounds food for better appearance, taste, and longer holding life.
- Holds and displays hot food fresh and moist for hours — without adding water.
- Expandable system to meet your specific requirements.
- **HOT DISPLAY CASE**
 - Curved glass styling.
 - Displays hot food without condensation on glass.
 - Protected with an environmentally friendly bumper, made of 93% pre-consumer polycarbonate waste and is 100% recyclable.
 - Thermostatically controlled heat source radiates from the base of the display case in multiple heat zones.
 - Overhead light zones with shatterproof coated bulbs.
 - Holds a full range of standard (gastronorm) pan sizes, full-size or half-size sheet pans.
 - Tempered sliding glass doors reflect heat back into the products and mirror the display to enhance merchandising effect.
- **DECORATOR BASE**
 - Standard black painted front and end panels.
- **SELF-SERVICE HOT DISPLAY**
 - Customer self-service opening is available on right side, left side, or across the full length of case.
 - Front mounted heat-guard provides customer protection.

The display case is constructed of 18 gauge, non-magnetic stainless steel and is mounted directly on top of two pedestal risers. A curved, tempered glass front encloses the display case and can be lifted to a 90 degree angle for easy cleaning. Removable, sliding glass doors on the operator side are included. Sliding door tracks have a "clean sweep" cutout allowing for easy cleaning and crumb removal. Framed end glass with rubber gasket material protects glass edges from chipping and breakage. The base is divided into two (2) individually managed heat zones with each zone controlled by a separate thermostat with a range of 1 through 10 and heat-on indicator light. Overhead lights are controlled by ON/OFF switches in two (2) light zones. Two (2) 125V plug outlets are available as an option on 120/208-240V units only.

- PD2SYS-72 - 72" (1829mm) length,

- PD2SYS-72/P - 72" (1829mm) length, 71-5/16" (1811mm) self-service opening across full length of case front

- PD2SYS-72/PL - 72" (1829mm) length, 23-3/4" (603mm) self-service opening on left side of case front

- PD2SYS-72/PR - 72" (1829mm) length, 23-3/4" (603mm) self-service opening on right side of case front



FACTORY INSTALLED OPTIONS

- | | | | |
|---|--|--|--|
| <ul style="list-style-type: none"> • Electrical Choices <ul style="list-style-type: none"> <input type="checkbox"/> 120/208-240V <input type="checkbox"/> 230V <input type="checkbox"/> 380/415V | <ul style="list-style-type: none"> • Panel Color Choices <ul style="list-style-type: none"> <input type="checkbox"/> Black, standard <input type="checkbox"/> Stainless Steel, optional <input type="checkbox"/> Custom Color, optional | <ul style="list-style-type: none"> • End Glass Choices <ul style="list-style-type: none"> <input type="checkbox"/> Clear Glass, standard <input type="checkbox"/> Solar Bronze Glass, optional | <ul style="list-style-type: none"> • System Height Choices <ul style="list-style-type: none"> <input type="checkbox"/> 47-7/8" (1214mm), standard <input type="checkbox"/> 45-3/8" (1148mm), optional <input type="checkbox"/> 54" (1367mm), optional |
| <ul style="list-style-type: none"> <input type="checkbox"/> Independent Electrical Outlet, optional (ONLY AVAILABLE ON OPERATOR'S RIGHT SIDE) | | <ul style="list-style-type: none"> <input type="checkbox"/> Temperature Gauge, optional <input type="checkbox"/> Temperature Probe, optional | |



W164 N9221 Water Street • P.O. Box 450 • Menomonee Falls, Wisconsin 53052-0450 • U.S.A.

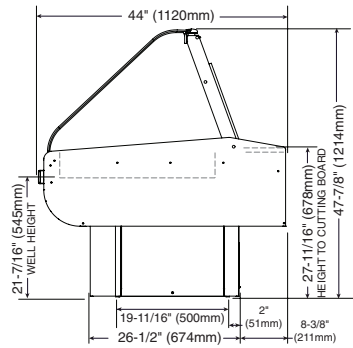
PHONE: 262.251.3800 800.558.8744 U.S.A./CANADA FAX: 262.251.7067 800.329.8744 U.S.A. ONLY

www.alto-shaam.com

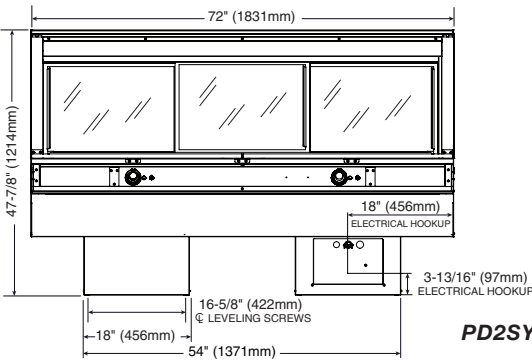


PD2SYS-72 SERIES

HEATED DISPLAY SYSTEMS



PD2SYS Profile
(STANDARD HEIGHT BASE SHOWN)



PD2SYS-72

INSTALLATION REQUIREMENTS

Display case must be installed level. The display case must not be installed in any area where it may be affected by steam, grease, dripping water, high temperatures, or any other severely adverse conditions.

Do not install a heated display case near a cold air source such as a freezer, air conditioning vents, or in any area where outside air fluctuation can affect performance.

WEIGHT (EST.)

| MODEL | NET | SHIP |
|-----------|-----------------|-----------------|
| PD2SYS-72 | 674 lb (306 kg) | 595 lb (270 kg) |

CRATED DIMENSIONS (EST.): L X W X H

50" x 57" x 82" (1270mm x 1448mm x 2083mm)

DIMENSIONS (H X W X D)

EXTERIOR, WITH STANDARD HEIGHT PEDESTAL STYLE BASE:

47-7/8" x 72" x 44" (1214mm x 1831mm x 1120mm)

EXTERIOR, WITH OPTIONAL HEIGHT PEDESTAL STYLE BASE:

45-3/8" x 72" x 44" (1148mm x 1831mm x 1120mm)

EXTERIOR, WITH OPTIONAL HEIGHT PEDESTAL STYLE BASE:

54" x 72" x 44" (1367mm x 1831mm x 1120mm)

WELL DIMENSIONS (W X L X D):

27-3/16" x 45-5/16" x 4-1/2" (692mm x 1151mm x 114mm)

ELECTRICAL

| VOLTAGE | PHASE | CYCLE/HZ | AMPS | kW | |
|-------------|-------|----------|------|-----|-------------------|
| 120/208-240 | 1 | 50/60 | 18.7 | 4.5 | |
| 208 | 1 | 50/60 | 16.2 | 3.4 | BARE END, NO PLUG |
| 240 | 1 | 50/60 | 18.7 | 4.5 | |
| 230 | 1 | 50/60 | 18.3 | 4.2 | BARE END, NO PLUG |
| 380-415 | 3 | 50/60 | 10.6 | 4.4 | |
| 380 | 3 | 50/60 | 9.7 | 3.7 | BARE END, NO PLUG |
| 480 | 3 | 50/60 | 10.6 | 4.4 | |

PAN CONFIGURATION*

| PAN SIZE | DIMENSIONS | QTY. |
|--------------------------|------------------------------|------|
| FULL-SIZE & ONE-THIRD**: | 12" x 20" x 2-1/2" (GN 1/1) | 5 |
| | 12" x 6" x 2-1/2" (GN 1/3) | 5 |
| HALF-SIZE & ONE-THIRD**: | 12" x 10" x 2-1/2" (GN 1/2) | 10 |
| | 12" x 6" x 2-1/2" (GN 1/3) | 5 |
| FULL-SIZE SHEET PANS: | 18" x 26" x 1" | 3 |
| MAX. CAPACITY/VOLUME: | 80 lbs (36 kg) 50 qts (60 L) | |

* Pans are not included with display case.

** Will also accept 4" (100mm) deep pans.

SPECIFICATIONS

- Ten (10) overhead lights with two (2) light zones.
- Two (2) base heat zones with two (2) adjustable thermostats with a range of 1 through 10, and two (2) heat-on indicator lights.
- Three (3) tinted, reflective, tempered glass sliding doors on operator side.
- One (1) 10" x 60" (254mm x 1524mm) operator-side work shelf.
- Self-serve model PD2SYS-72/P has a self-serve pan insert 26-7/16" x 69-3/16" x 2" (672mm x 1757mm x 51mm) and includes three (3) Wire Pan Grids.
- Self-serve models PD2SYS-72/PL and PD2SYS-72/PR have self-serve pan insert 21-5/8" x 26-7/16" x 2" (549mm x 672mm x 51mm) and includes one (1) Wire Pan Grid.

ACCESSORIES

| | |
|--|---------|
| <input type="checkbox"/> BUTTING KIT (SEAMLESSLY CONNECT MULTIPLE SYSTEMS) | 5009002 |
| <input type="checkbox"/> CARVING STATION | 5001874 |
| <input type="checkbox"/> PAN INSERT, SELF-SERVICE 4" (102mm) DEEP | 1001991 |
| <input type="checkbox"/> THERMOSTAT GUARD COVER PLATE | 5007660 |

PLATFORM SCALE

| | |
|-------------------------------------|---------|
| <input type="checkbox"/> LEFT-HAND | 5005338 |
| <input type="checkbox"/> RIGHT-HAND | 5005337 |

SHEET PAN DIVIDER BAR PACKAGE

| | |
|--|---------|
| <input type="checkbox"/> FULL-SERVICE & SELF-SERVICE FULL CASES | 5002803 |
| <input type="checkbox"/> SELF-SERVICE LEFT-SIDE OR RIGHT-SIDE OF CASES | 5002804 |



W164 N9221 Water Street • P.O. Box 450 • Menomonee Falls, Wisconsin 53052-0450 • U.S.A.

PHONE: 262.251.3800 800.558.8744 U.S.A./CANADA FAX: 262.251.7067 800.329.8744 U.S.A. ONLY

www.alto-shaam.com

