

# MULTI-TURN STRAIGHT STOP

## Female Iron Pipe x Compression



*Peace of Mind...  
for the Professional Plumber*

### TECHNICAL DATA

**DESCRIPTION:** Multi-Turn Straight Stop  
FIP x Compression

**CONSTRUCTION:**  
**Body** - Chrome Plated No-lead Brass  
**Stem** - Celcon  
**Handle** - Oval - Chrome Plated Zinc  
**Compression Nuts** - Chrome Plated No-lead Brass  
**Compression Sleeve** - Brass

**TECHNICAL SPECIFICATIONS:**  
**Working Pressure** - 125 PSI  
**Working Temperature** - 40° F to 140° F

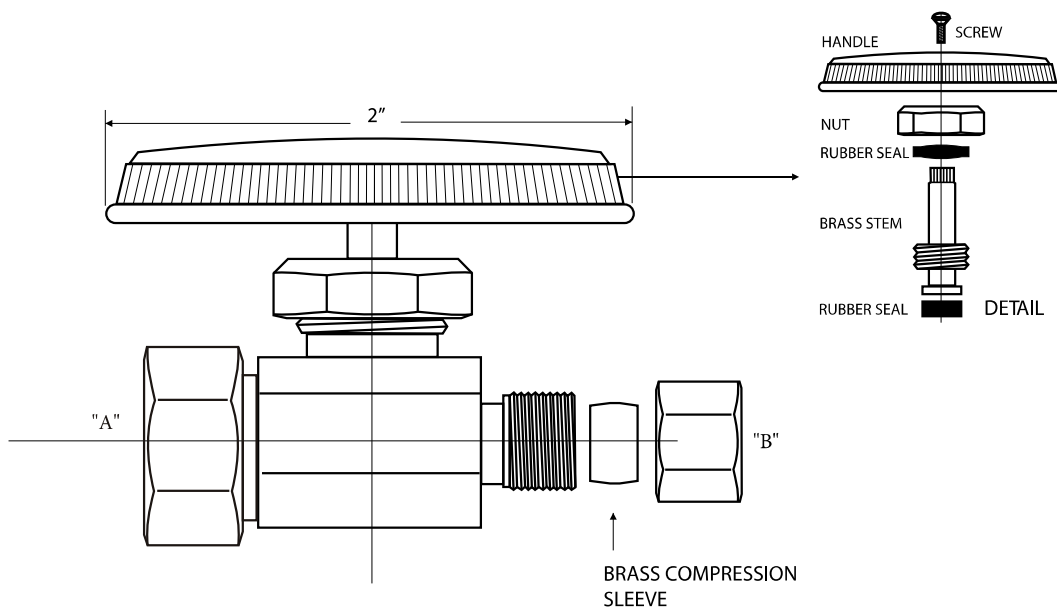
PART#	"A"	"B"	Inner/ Master	Pack	UPC
04318LF	3/8" FIP	3/8" OD	24/96	Box	091712420927
04321LF	1/2" FIP	5/8" OD	24/96	Box	091712428589

Connectors are lead free and contain a weighted average lead content of ≤ 0.25%.



MADE IN: China

### ROUGH IN DRAWING



ALL DIMENSIONS SHOWN ARE NOMINAL