

Wall-Mount Hand Sink

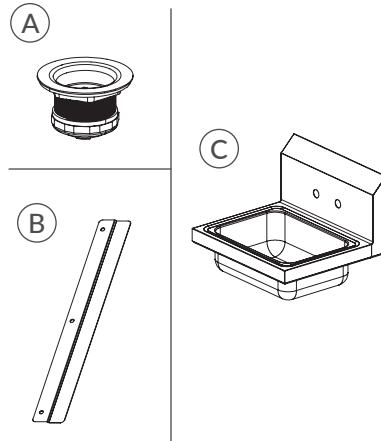
Assembly Instructions

TOOLS REQUIRED (NOT INCLUDED)

Power Drill / Screwdriver
Screws

PARTS:

- (A) (1) Drain
- (B) (1) Mounting Bracket
- (C) (1) Sink



BEFORE INSTALLATION

- Metal edges may be sharp. Handle with caution.
- It is recommended that this product be installed by a qualified installer.
- Be sure to follow all local plumbing and building codes.
- Inspect hand sink for damage before installation.
- Safety goggles and gloves should be worn during installation to prevent personal injury.

Assembly Instructions

1. Place the sink upright and install the drain.
2. Your plumbing contractor is responsible for local code requirements.
3. Install the mounting bracket by screwing it to the wall (screws sold separately).
4. Secure the sink to the wall bracket.

