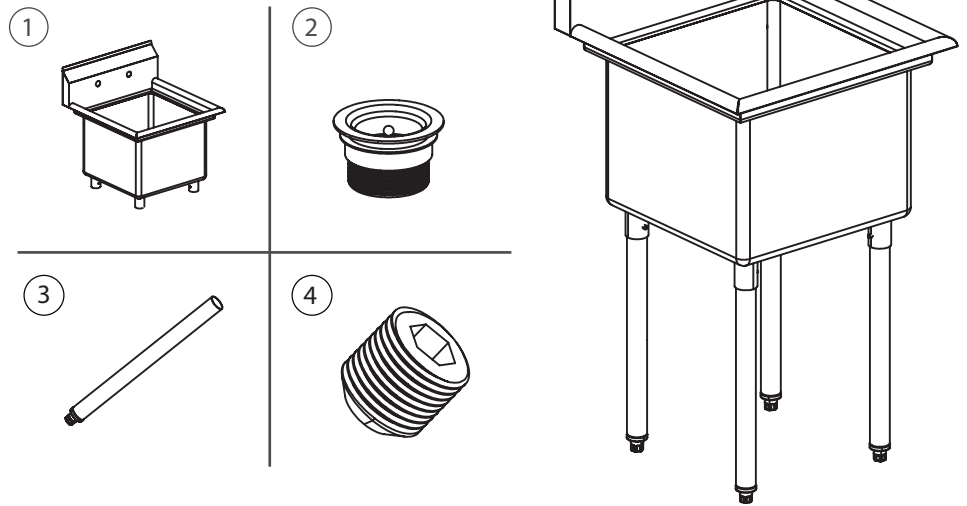


Utility Sink

Assembly Instructions

PARTS:

- (1) Sink Basin
- (1) Strainer Basket
- (4) Legs
- (6) Hardware Pieces



Assembly Instructions

1. Place sink body upside down on a surface that won't scratch it.
2. Insert legs into the sink body gussets. You may need to loosen a set screw if one struggles to go in.
3. Tighten all set screws and place sink right side up.
4. Adjust the feet as needed to meet your height requirements or to compensate for uneven flooring.
5. Install drain(s) and remove any protective film.

WARNING: Risk of personal injury. Stainless steel edges are sharp and can cause cuts. Use gloves and handle with care.

