



Item No. _____

TYA3ECRC3X55ESPA

Entyce Self-Contained, End Cap,
Multi-Deck Merchandiser

**Ideal for Deli, Beverages, Cut Fruit,
Juices, Yogurts, Fresh Snacks and
more**

KEY FEATURES

- Exterior finish – black, powder-coated
- Exterior top and bumper retainer - black
- Interior finish – black, powder-coated
- 10" (2 rows) shelves w/PTM
- 2" black vinyl cart bumper
- Radiused tempered glass perimeter
- 3500K LED canopy lights
- Energy efficient fan motors
- R454C regulatory-compliant low GWP refrigerant condensing unit
- Evap. pan Included - floor drain or floor sink not required
- Electrical connection
 - Hardwired or cord and plug
 - Bottom mount

OPTIONS

- Angled shelf insert
- 3500K LED shelf lights
- AutoBrite end panel interior
- PTM - Shelf
- Black PTM – deck
- Electrical connection – top mount



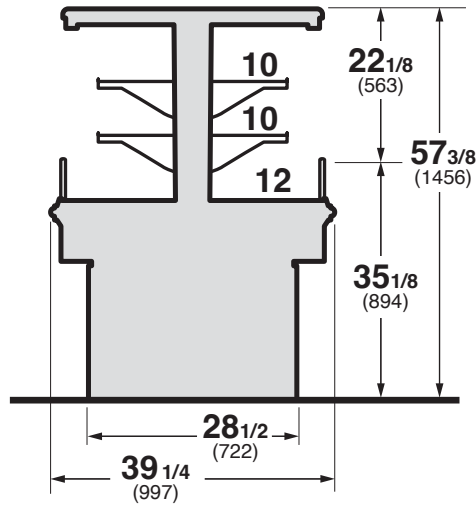
AIA # _____

Hussmann Corporation

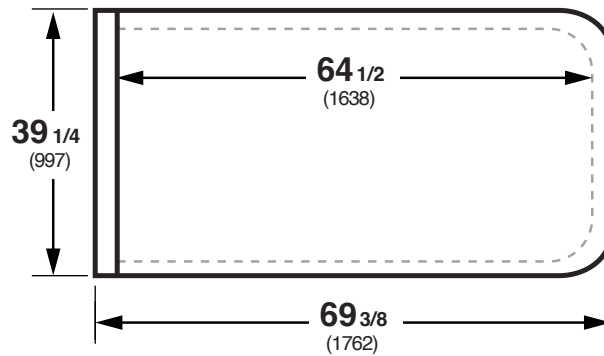
12999 St. Charles Rock Rd.
Bridgeton, MO 63044-2483
Ph: 800.592.2060
www.hussmann.com

TYA3ECRC3X55ESPA

Entyce Self-Contained, End Cap, Multi-Deck Merchandiser



Cross section

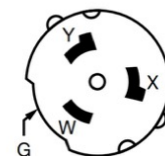


Plan view

AIA #

Model	Shelves	L	D	H	Discharge Air	Ref.	Volts	Run Amps	Plug
TYA3ECRC 3X55ESPA	Base +2	69-3/8" (1762)	39-1/4" (997)	57-3/8" (1456)	29° ~ 32°	R454C	208/60/1	26.1	CS6365C

Notes:



[DATA SHEET](#)

For more detailed information scan or click above.

We reserve the right to change or revise specifications and product design in connection with any feature of our products. Such changes do not entitle the buyer to corresponding changes, improvements, additions, or replacements for equipment previously sold or shipped. For additional resources, contact your representative or visit www.hussmann.com.

HUSSMANN[®]
FOODSERVICE

12999 St. Charles Rock Rd.
Bridgeton, MO 63044-2483
Ph: 800.592.2060

www.hussmann.com