



**Ideal for Deli, Beverages, Cut Fruit,
Juices, Yogurts, Fresh Snacks and
more**

Item No. _____

TYA3ECRC3X45ESPA

Entyce Self-Contained, End Cap,
Multi-Level, End-Cap Merchandiser

KEY FEATURES

- Exterior finish – black, powder-coated
- Exterior top and bumper retainer - black
- Interior finish – black, powder-coated
- 10" (2 rows) shelves w/PTM
- 2" black vinyl cart bumper
- Radiused tempered glass perimeter
- 3500K LED canopy lights
- Energy efficient fan motors
- R454C regulatory-compliant low GWP refrigerant condensing unit
- Evap. pan Included - floor drain or floor sink not required
- Electrical connection
 - Hardwired or cord and plug
 - Bottom mount

OPTIONS

- Angled shelf insert
- 3500K LED shelf lights
- AutoBrite end panel interior
- PTM - Shelf
- Black PTM – deck
- Electrical connection – top mount



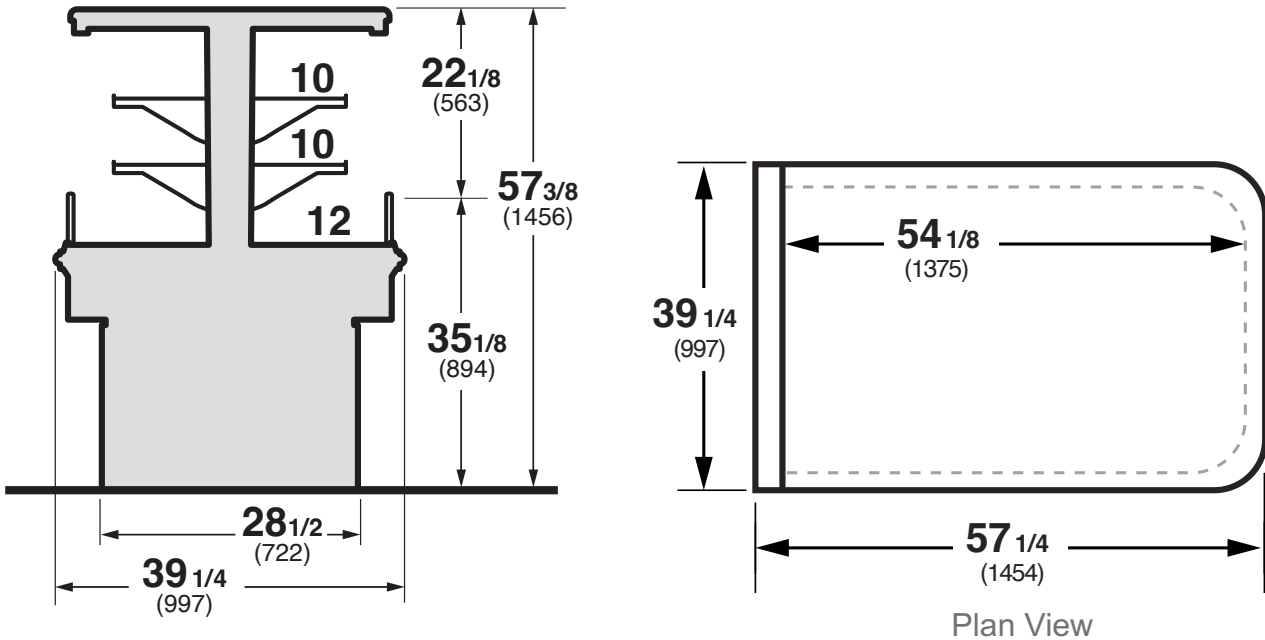
AIA # _____

Hussmann Corporation

12999 St. Charles Rock Rd.
Bridgeton, MO 63044-2483
Ph: 800.592.2060
www.hussmann.com

TYA3ECRC3X45ESPA

Entyce Self-Contained, End Cap, Multi-Level, End-Cap Merchandiser



AIA #

Model	Shelves	L	D	H	Discharge Air	Ref.	Volts	Run Amps	Plug
TYA3ECRC3X45ESPA	Base +2	57-1/4" (1454)	39-1/4" (997)	57-3/8" (1456)	28° ~ 38°	R454C	208/60/1	21	L14-30P

Notes:



[DATA SHEET](#)

We reserve the right to change or revise specifications and product design in connection with any feature of our products. Such changes do not entitle the buyer to corresponding changes, improvements, additions, or replacements for equipment previously sold or shipped. For additional resources, contact your representative or visit www.hussmann.com.

For more detailed information scan or click above.



12999 St. Charles Rock Rd.
Bridgeton, MO 63044-2483
Ph: 800.592.2060

www.hussmann.com