



PARTS MANUAL

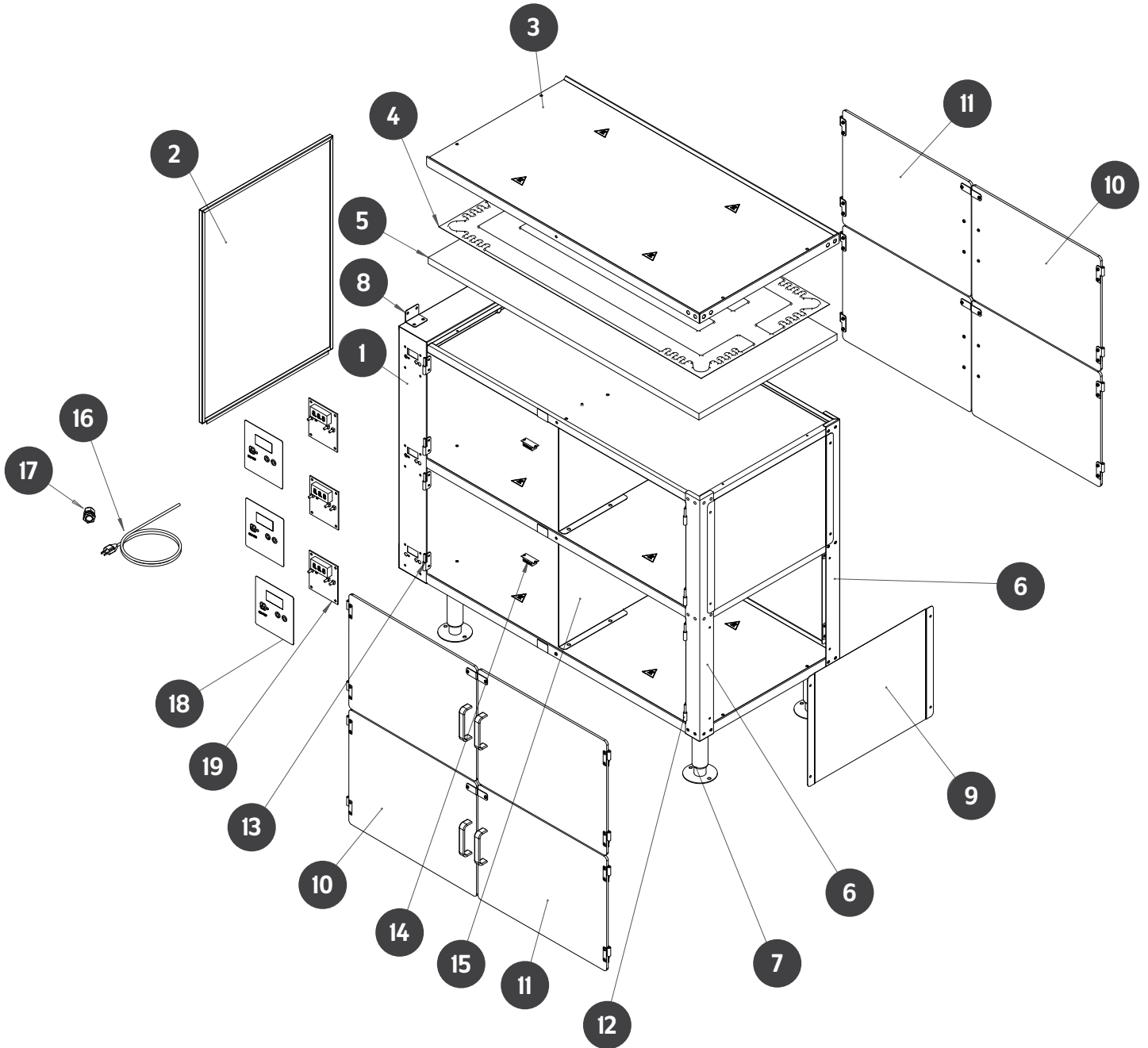


TAKE-OUT STATIONS

RETAIN THIS MANUAL FOR FUTURE REFERENCE. UNIT MUST BE KEPT CLEAR OF COMBUSTIBLES AT ALL TIMES.

Models: 423HSW20402, 423HSW20403, 423HSW20404, 423HSW20405

DIGITAL PARTS DIAGRAM KEY



TAKEOUT STATIONS - PARTS MANUAL

DIAGRAM KEY	PART #	DESCRIPTION	QUANTITY PER MODEL #			
			423HSW20402	423HSW20403	423HSW20404	423HSW20405
1	-	Cabinet Body	1	1	1	1
2	-	Left Side Panel	1	1	1	1
3	-	Shelf Top Assembly	2	3	4	5
4	423HSWPPELEM	Heating Element	2	3	4	5
5	-	Insulation	2	3	4	5
6	-	Post	2	2	2	2
7	423HSWPPEG	6" Adjustable Foot	4	4	4	4
8	-	Bracket	2	2	2	4
9	423HSWSDPNL	Right Side Panel	1	2	3	4
10, 11, 12, 13, 14	423HSWDOOR	Left And Right Door Assemblies (Hinges And Magnet Included)	2	4	6	8
15	423HSWDIVIDE	Divider	1	2	3	4
16A	423HSWPPWR1	Power Cord, 16 Awg	1	1	-	-
16B	423HSWPPWR2	Power Cord, 14 Awg	-	-	1	1
17	-	Cord Grip	1	1	1	1
18	-	Control Label	2	3	4	5
19	423HSWPTHM	Digital Display Thermostat	2	3	4	5

WIRING DIAGRAM

