



Conveyor Toaster



Models: T140

06/2017

Please read and keep these instructions. Indoor use only.

Installation, Operation and Care

Unpacking

Great care has been taken during the packing and shipment of your Avantco conveyor toaster. However, if you notice any signs of damage when unpacking the unit, please call the manufacturer.

- Do not remove any tags or labels until unit is installed and working properly.

General Installation and Operation Instructions



IT IS ESSENTIAL TO MAKE SURE THAT THE INCOMING VOLTAGE IS THE SAME AS THE RATED VOLTAGE OF THE UNIT AS FOUND ON THE SERIAL PLATE. THE SERIAL PLATE IS LOCATED AT THE REAR OF THE UNIT ADJACENT TO THE INCOMING CORD ENTRY.

1. This conveyor toaster has been designed to continuously produce toasted bread or buns. The desired toasted color of the product can be adjusted by changing the belt speed of the conveyor. Depending on installation position, the toasted product can be discharged to the front or rear of the unit.
2. Before operating this unit, thoroughly clean as described in the cleaning section of this manual (page 5).



ENSURE THE SUPPORT FEET ARE ASSEMBLED TO THE UNIT BEFORE COMMENCING OPERATION.

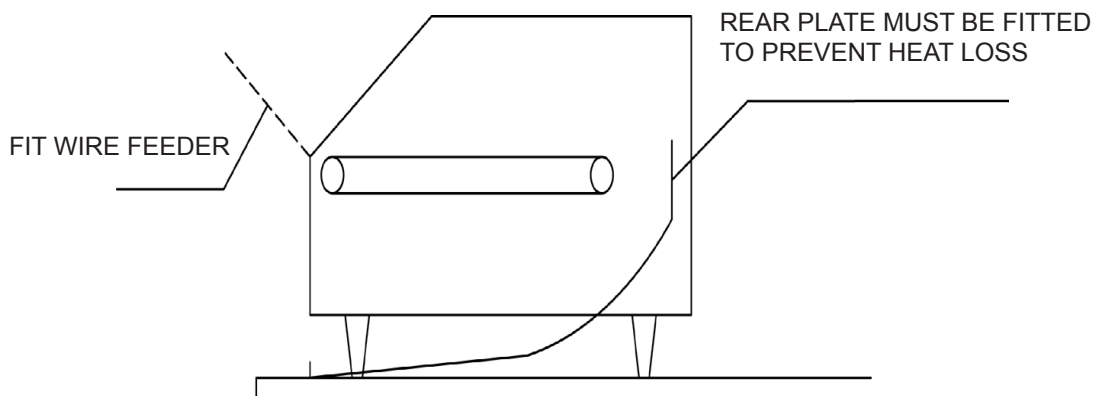
(Operation Instructions)

3. As detailed in the diagrams to the right, the unit can either be assembled with front or rear discharge depending on installation position and preference.
 - i. Front Chute
 - a. Pull metal plate up to the closed position and latch.
 - 1) This will direct food to the bottom of the toaster.
 - b. Pick up the longer of the two chutes.
 - c. Slide the flanged end of the chute up underneath the toaster.
 - d. Rest the flanged end of the chute onto the interior ledge.

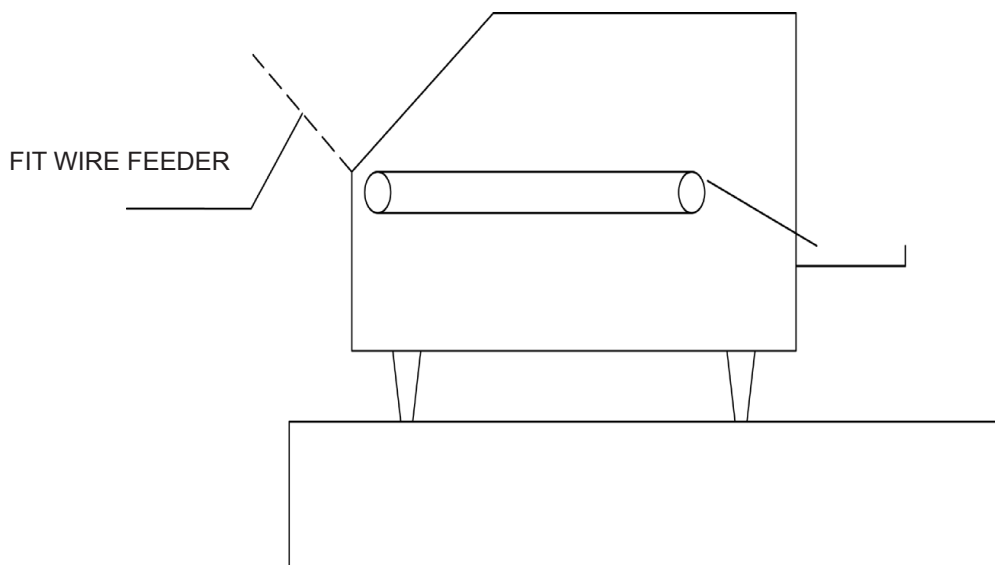
ii. Rear Chute

- a. Push the metal plate down to the open position.
 - 1) This will direct food to the back of the toaster.
- b. Loosen the two rear screws.
- c. Pick up the smaller of the two chutes.
- d. Slide the two keyholes on the chute behind the loosened screws.
 - 1) If the chute does not fit all the way down, loosen the screws more.
- e. Tighten the screws to secure the chute to the toaster.

i. FRONT DISCHARGE



ii. REAR DISCHARGE



4. The unit has two controls.

- i. Speed or color control determines the length of time the toast or product is in the heating chamber. The slower the speed, the longer the exposure and the darker the product.
- ii. The heat control switch has 4 settings.
 - a. "OFF" - In this position, the unit is off.
 - b. "STANDBY" - In this position, the conveyor belt will run and both top and bottom elements will operate at 25% capacity. This mode is designed to keep the unit warm in quiet periods to reduce start-up time and conserve energy.
 - c. "BREAD" - In this position, both top and bottom elements operate at full capacity. This is the ideal mode for toasting bread.
 - d. "BUNS" - In this position, only the top element operates at full capacity. This is the ideal setting for toasting one side only of a bun.

5. For best results, allow the unit to preheat for 20-25 minutes before use so that the correct operating temperature can be reached. As described above, product appearance or color is dependent on conveyor speed and type of product. These other factors may also affect the toasting color:

- i. Moisture content of the product.
- ii. Sugar content of the product.
- iii. Initial product temperature.

Cleaning

1. Always ensure that the unit is disconnected from the main power supply.



THIS APPLIANCE SHOULD NOT BE IMMERSSED IN WATER. USE ONLY A DAMP CLOTH OR SPONGE DIPPED IN SOAPY WATER. DO NOT USE STEEL-WOOL AS IT WILL DAMAGE THE BRIGHT STAINLESS STEEL FINISH.

2. Wipe off the unit with a dry cloth and wait at least half an hour before reconnecting to the power outlet.
3. Remove the crumb tray from the unit by pulling forward. Dispose of the crumbs and clean the tray as described above, refit the tray before reusing the appliance.

Specific Cleaning Instructions

The following applies to cleaning of the conveyor belt only.

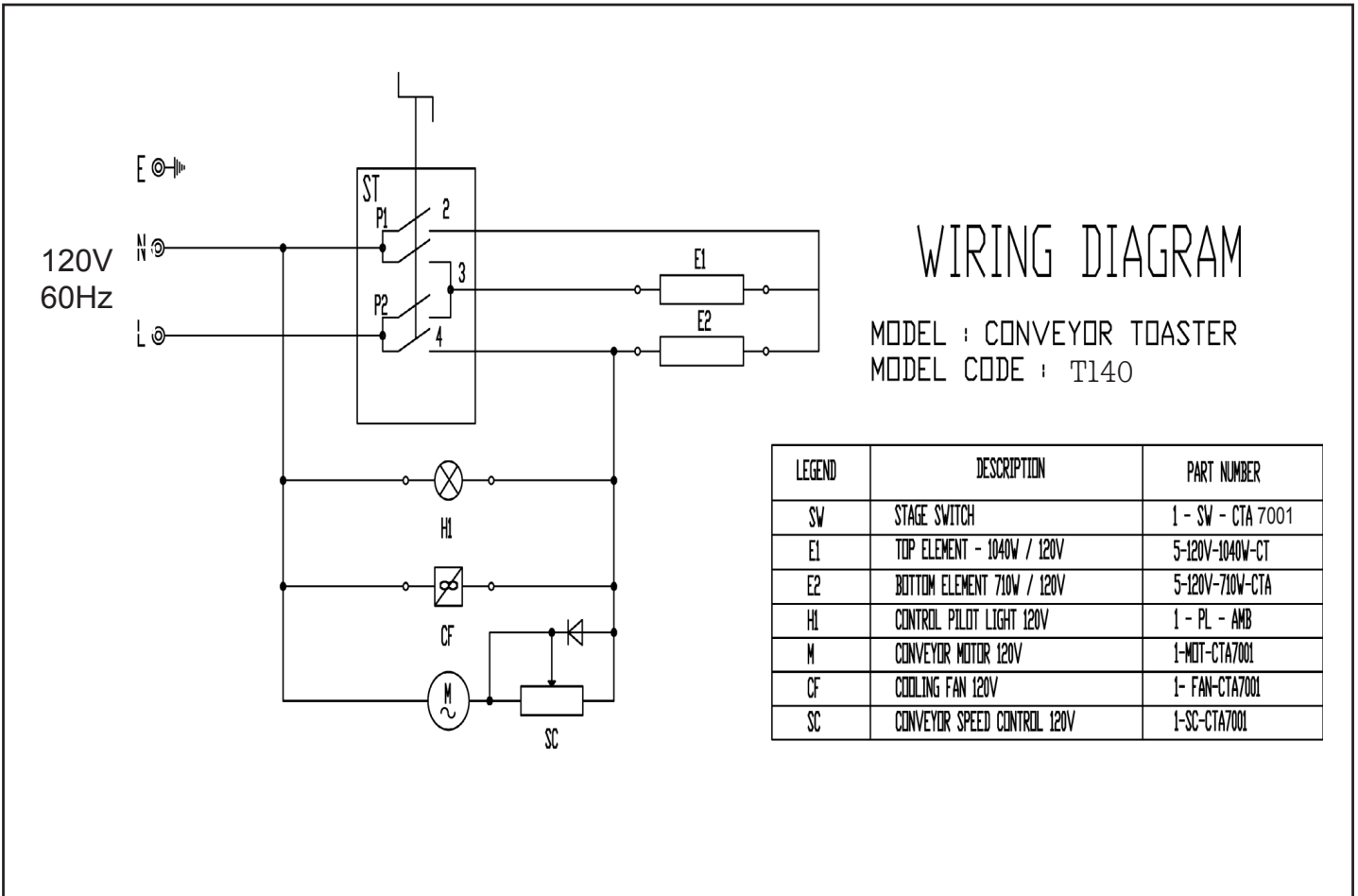
1. Turn off the toaster and allow the unit to cool down.
2. Switch on the unit to standby mode and adjust the belt to slow speed.
3. Using an abrasive pad, wipe the conveyor belt in a back and forth motion (ie: side to side) to remove baked on product.
4. Finally, clean the belt with a damp cloth in the same manner as described in number 3.

Safety

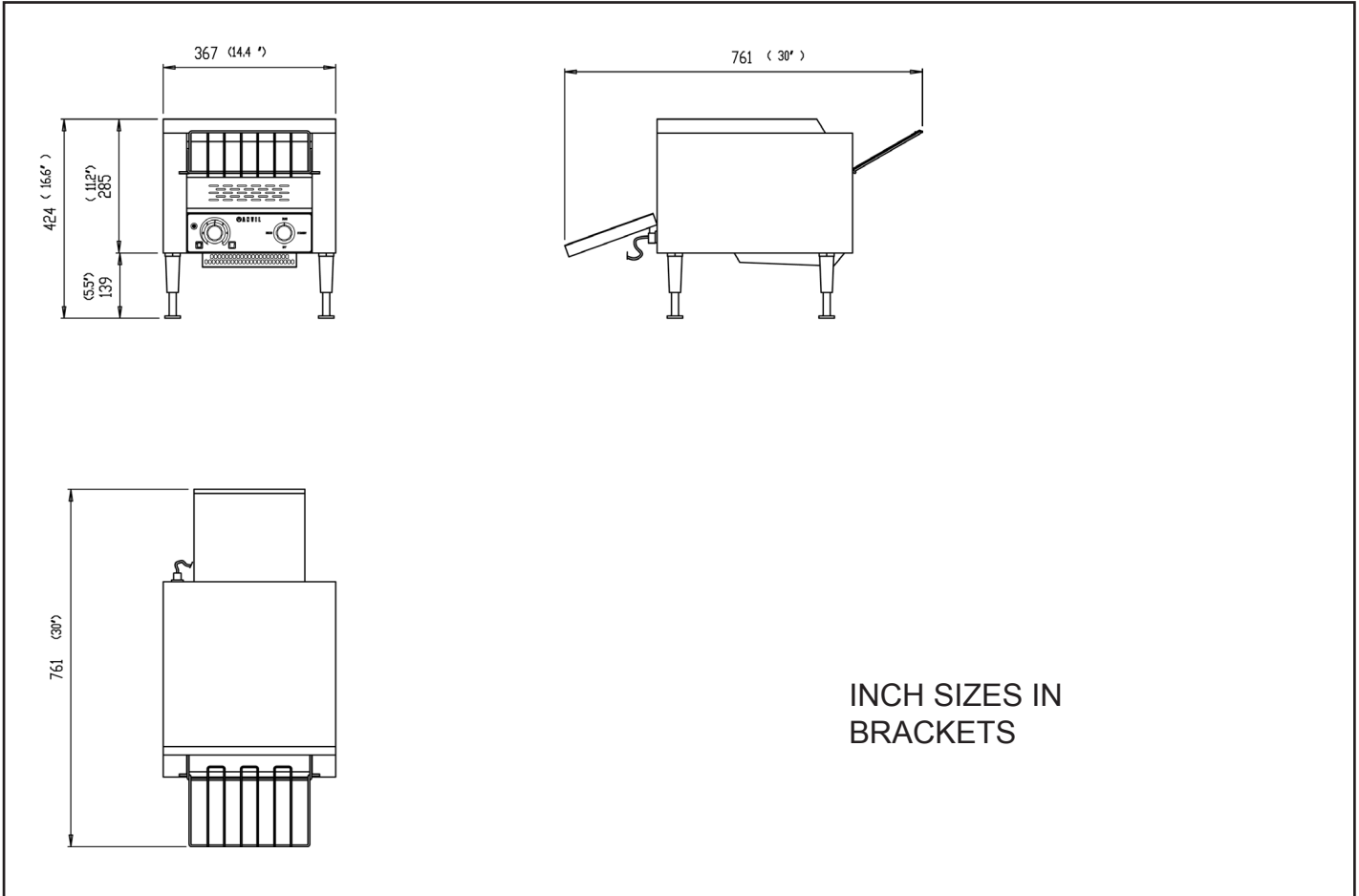
1. When this unit is to be positioned in close proximity to a wall, partitions, kitchen furniture, decorative finishes, etc, it is recommended that they be made of non-combustible material. If not, they shall be clad with a suitable non-combustible heat insulating material, and the closest attention be paid to fire prevention regulations.
2. Use the unit on an individual 15A power outlet only.
DO NOT OVERLOAD THE CIRCUIT.
3. Ensure that the power cord does not come into contact with hot surfaces.
4. Do not touch moving parts while operating the unit.
5. Close supervision is necessary when the appliance is used in close proximity to children.
6. Do not operate the unit if the power cord becomes damaged or frayed. Contact your local service agent.

Electrical Connection Information

MODEL	DESCRIPTION	VOLTS (V/HZ)	POWER (WATTS)	PLUG TYPE
T140	CONVEYOR TOASTER	120/60	1750	NEMA 5-15P



User Manual



Limited Warranty

All equipment, which is sold under Avantco trademark and used for commercial purpose is warranted against defects in materials and workmanship. The warranty runs for one year from the time of purchase and is for the benefit of the original purchaser only. All other Warranties, Expressed or Implied, Statutory or Otherwise, including Without Limitation any implied Warranty of Merchantability or Fitness for Purposes are excluded. The Seller shall in no event be liable for direct, indirect or consequential damages in connection with Avantco commercial products.

This warranty is not effective if damage occurs because of accident, carelessness, improper installation, lack of proper set – up, supervision when required or if the equipment is installed or operated in any manner contrary to the installation and operating instructions. Work performed by unauthorized personnel or unauthorized service agencies voids this Warranty.

This warranty does not apply to, and Avantco is not responsible for any warranty claims on products sold or used outside of the contiguous United States.

This equipment is intended for commercial use only. Warranty is void if equipment is installed in anything other than commercial applications.