

Work Table Casters

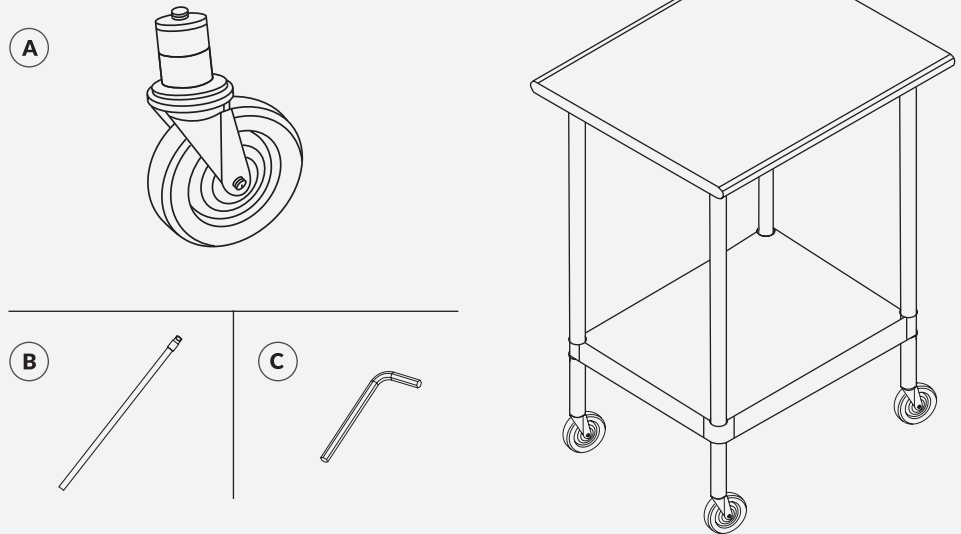
INCLUDED PARTS

A (4) Casters

TOOLS NEEDED

B Broom Stick

C Allen Wrench



ASSEMBLY INSTRUCTIONS

- 1** Begin by using an Allen wrench to remove the legs from the tabletop by loosening the screws in the gussets.
- 2** Push a broom handle all the way through the leg, pushing the bullet feet out of the legs.
- 3** Take your caster and screw the top clockwise to adjust the width of the rubber stem. Twist the rubber stem clockwise until it fits snug into the leg.
- 4** Once the casters are inserted in the legs, tighten them by turning them counter clockwise.
- 5** Reattach the legs to the tabletop. Assembly complete.

