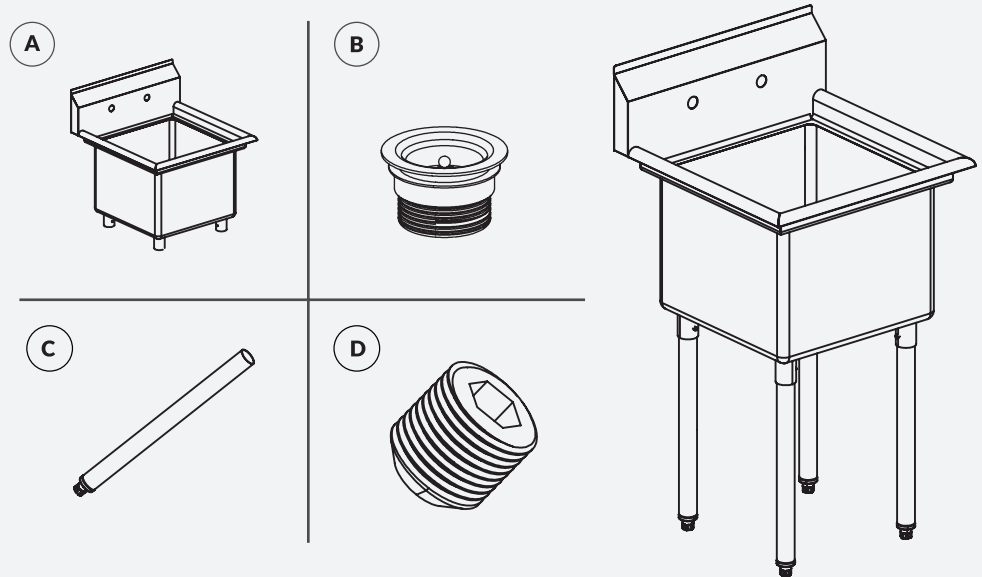


Sink

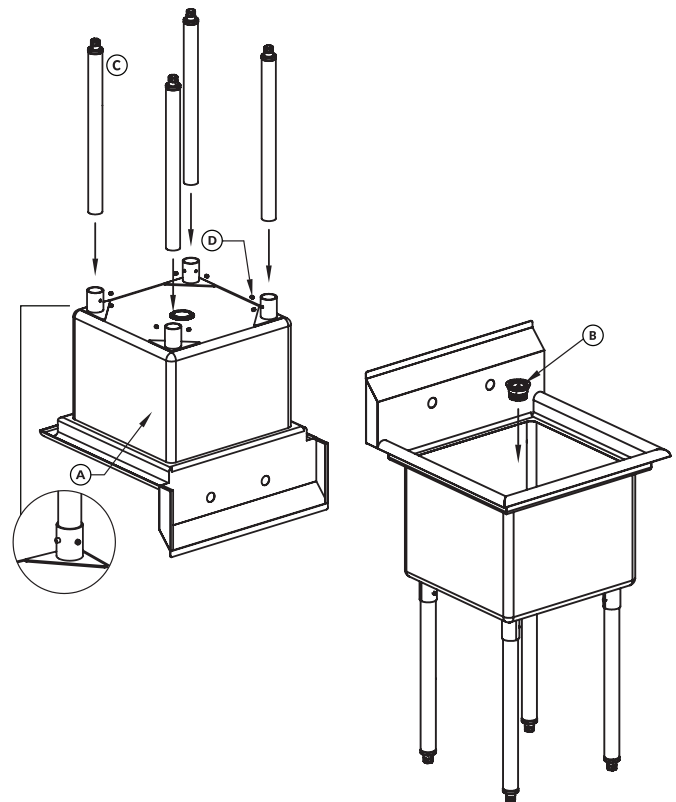
INCLUDED PARTS

- A** (1) Sink Basin
- B** (1) Strainer Basket
- C** (4) Legs
- D** (6) Hardware Pieces



ASSEMBLY INSTRUCTIONS

- 1** Place sink body upside down on a surface that won't scratch it.
- 2** Insert legs into the sink body gussets. You may need to loosen a set screw if one struggles to go in.
- 3** Tighten all set screws and place sink right side up.
- 4** Adjust the feet as needed to meet your height requirements or to compensate for uneven flooring.
- 5** Install drain(s) and remove any protective film.



WARNING:

Risk of personal injury. Stainless steel edges are sharp and can cause cuts. Use gloves and handle with care.