

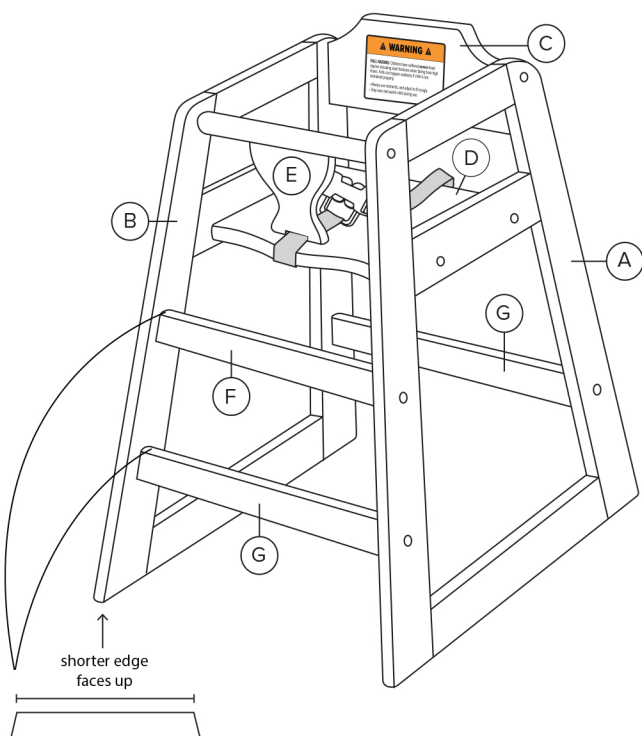
Standard Height High Chair

ASSEMBLY INSTRUCTIONS



IMPORTANT: REFER TO SAFETY WARNINGS ON PAGE 4 BEFORE ASSEMBLY.

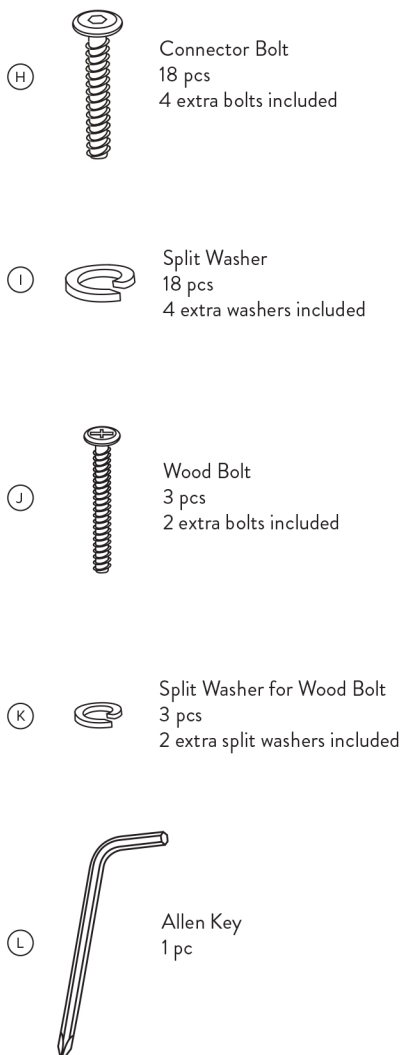
ASSEMBLED DIAGRAM:



PARTS LIST:

(A) Right Frame	1	(E) Crotch Panel	1
(B) Left Frame	1	(F) Cross Bar	1
(C) Back Panel	1	(G) Stretcher	2
(D) Seat	1		

HARDWARE:



NOTES:

1. Inspect all pieces for damage upon receipt and before assembly. **DO NOT** assemble or use if any pieces are broken or damaged.
2. Put a washer on every bolt.
3. You may need a screwdriver to tighten for easier assembly. **DO NOT** use a powerdrill during assembly.

STEP 1

Lay out all pieces and unwrap them. Ensure all pieces are included and inspect contents for damage before assembly. Place larger split washers (I) on all connector bolts (H). Place smaller split washer (K) on wood bolt (J).

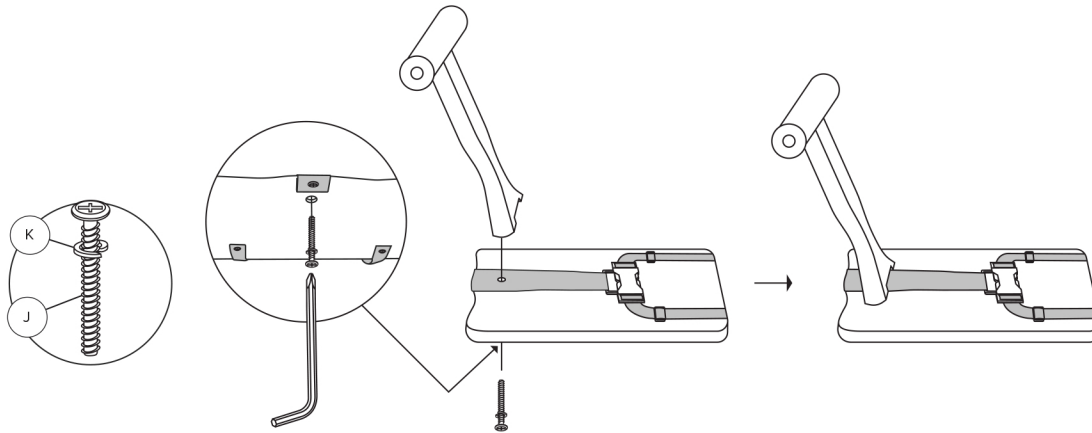
Standard Height High Chair

ASSEMBLY INSTRUCTIONS



STEP 2

Align the seat belt grommet over the hole on the top of the seat. Place wood bolt (J) through the underside of the seat hole and seat belt grommet. Place the crotch panel (E) on top of the bolt with the angled side facing outward. Tighten the bolt from the bottom of the seat using the phillips end of the allen key.



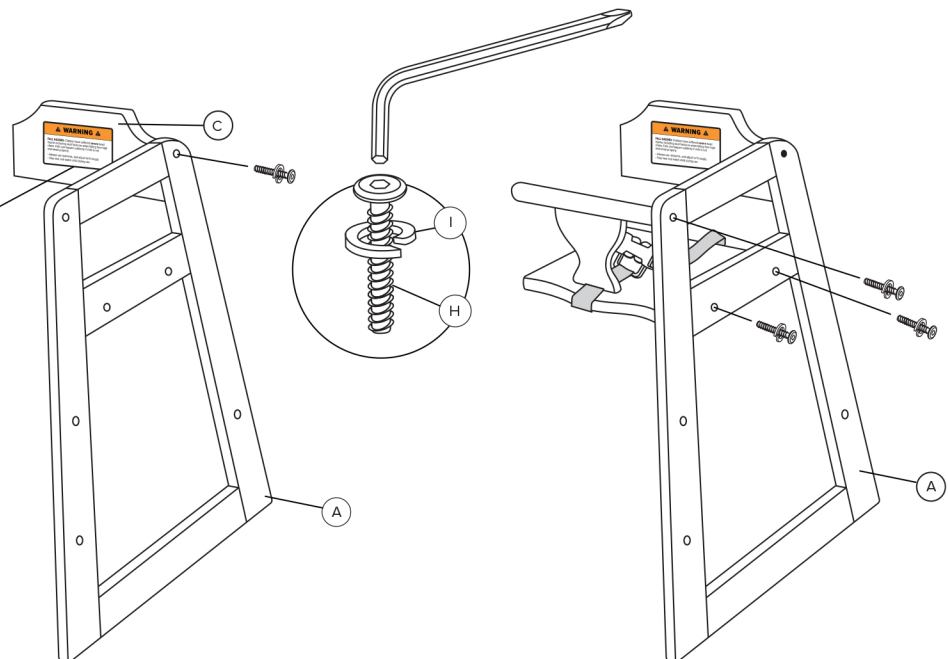
STEP 3

Join back panel (C) with right side frame (A). Ensure warning label shown below is facing forward. Connect to frame using connector bolt. Place seat & crotch panel piece into slot on side frame (A), fasten each hole with connector bolts. **DO NOT TIGHTEN BOLTS COMPLETELY.**

⚠ WARNING ⚠

FALL HAZARD: Children have suffered **severe** head injuries including skull fractures when falling from high chairs. Falls can happen suddenly if child is not restrained properly.

- Always use restraints, and adjust to fit snugly.
- Stay near and watch child during use.



Standard Height High Chair

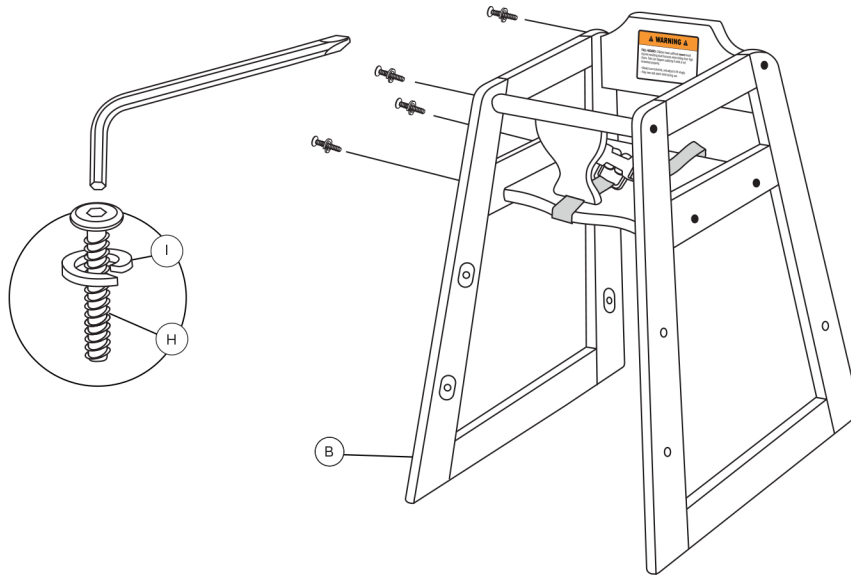
ASSEMBLY INSTRUCTIONS



LANCASTER™
TABLE & SEATING

STEP 4

Repeat steps above to join the left side frame (B), starting with fastening the back panel into the frame then the seat and crotch panel. Ensure each bolt has a split washer. **DO NOT TIGHTEN BOLTS COMPLETELY.**



STEP 5

Tap cross bar (F) into top slot on the front of each frame. Tap both stretchers (G) into bottom slots of each frame. Ensure the angle cuts on each end are properly aligned with the shorter width at the top of the slot. Secure cross bar and stretchers using 6 connector bolts. Ensure each bolt has a split washer. Check chair balance and tighten all bolts to completely assemble.

