



PARTS MANUAL



INSULATED & NON-INSULATED HEATED HOLDING, COMBINATION HEATED HOLDING, AND PROOFING CABINETS

SERVITE HEATED CABINETS ARE FOR HOT FOOD HOLDING APPLICATIONS ONLY.
THIS MANUAL COVERS CABINETS WITH ELECTRICAL RATINGS OF: 120V • 60HZ • 2000W

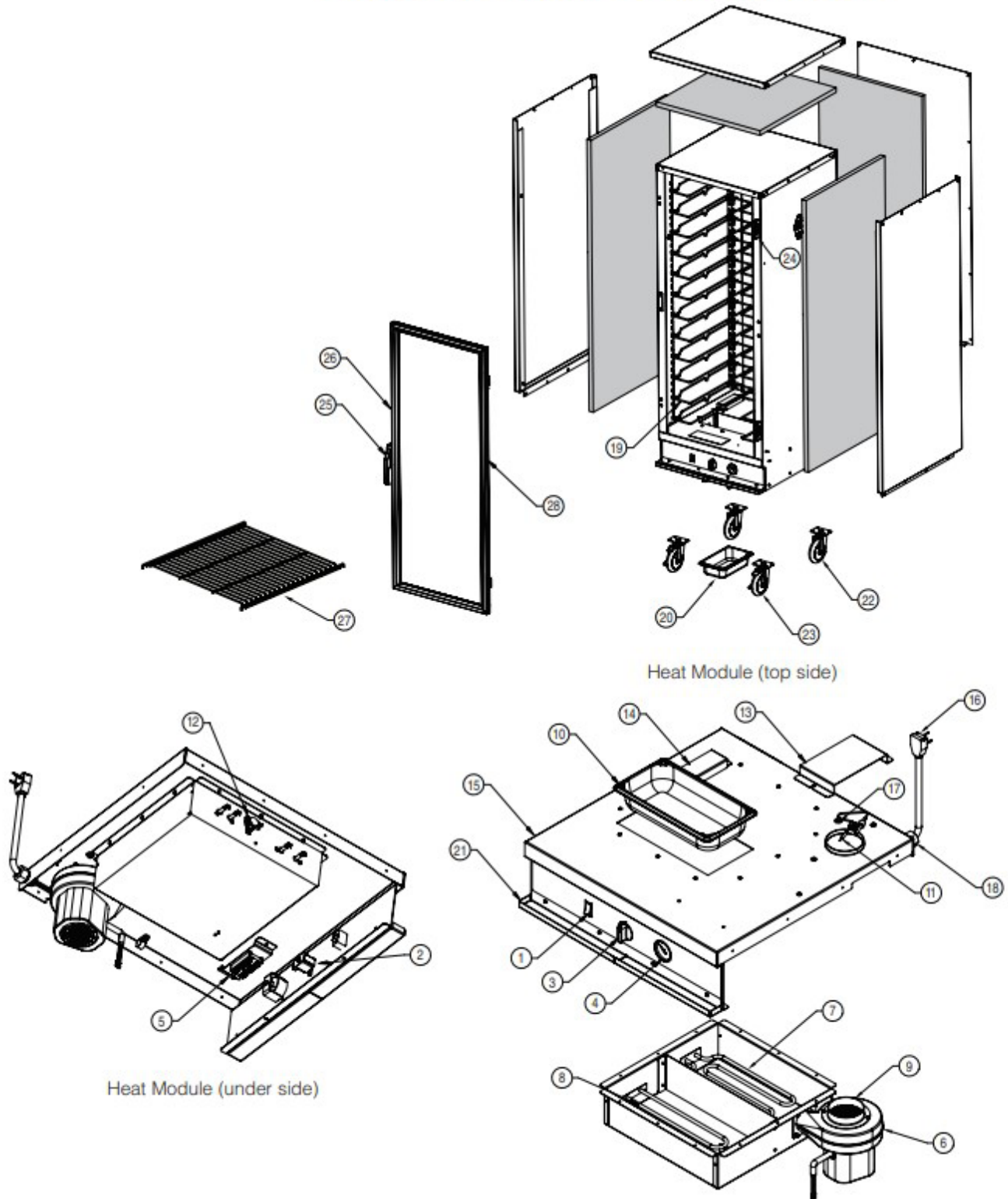
Models: 423CC1UFICF, 423CC1UFISF, 423CC1UFICD, 423CC1UFISD, 423CH1UFICF,
423CH1UFISF, 423CH1UFICD, 423CH1UFISD, 423CH2UFISF, 423CC2UFISF,
423CC1UFNCF, 423CC2UFNCF, 423CH1UFNCF, 423CH2UFNCF



PARTS DIAGRAM

HEATED HOLDING & PROOFING CABINETS

MODELS: 423CCIUFI CD, 423CCIUFI CF, 423CCIUFI SD, 423CCIUFI SF, 423CCIUFI NCF, 423CC2UFI SF, 423CC2UFI NCF



PARTS LIST

HEATED HOLDING & PROOFING CABINETS

MODELS: 423CC1UFICD, 423CC1UFICF, 423CC1UFISD, 423CC1UFISF, 423CC1UFNCF, 423CC2UFISF, 423CC2UFNCF

WARNING: Only certified and insured food service technicians may service the unit.

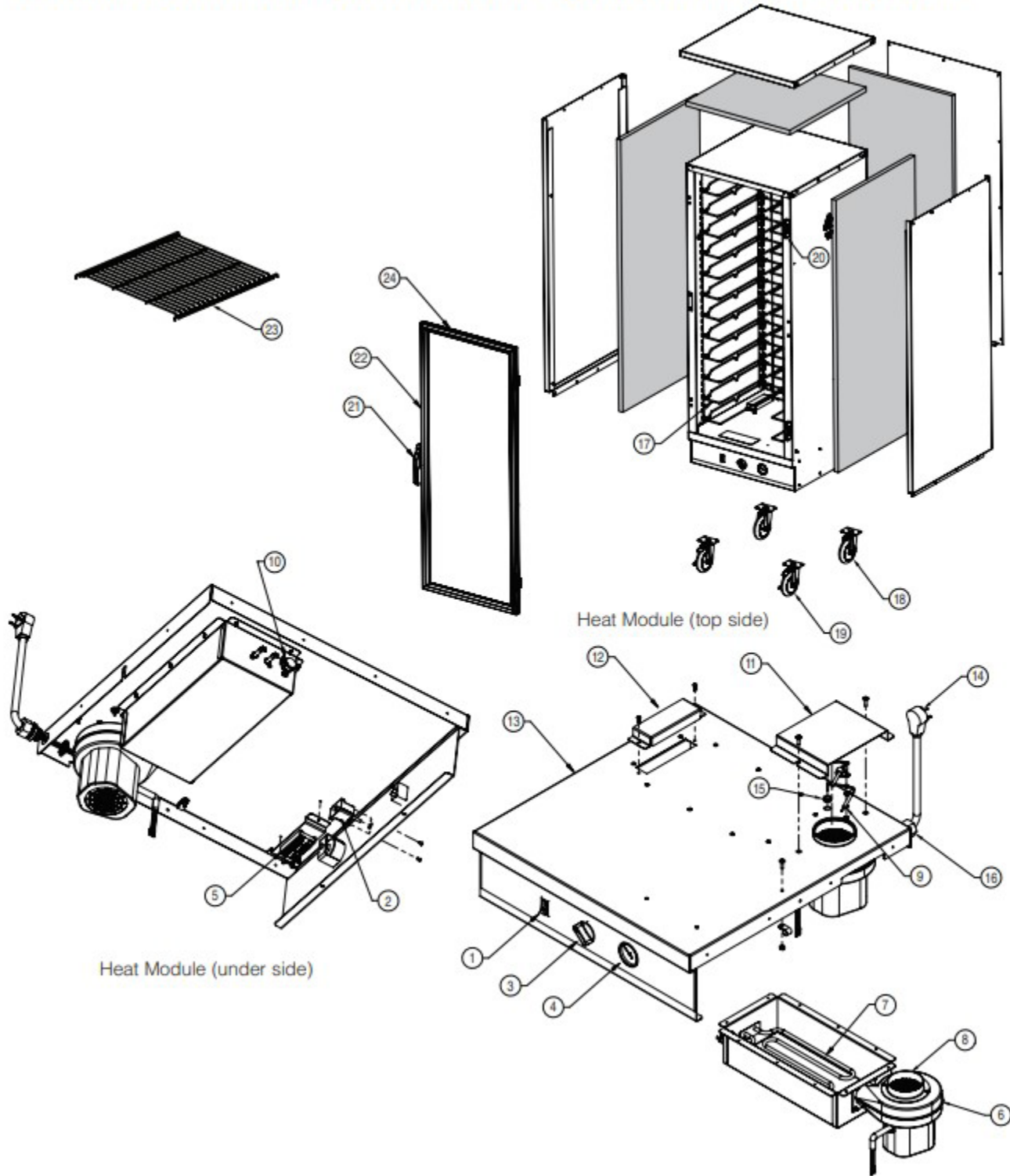
MODULE		
#	PART #	DESCRIPTION
1	423PC131338	Power Selector Switch
2	423PC13721	Thermostat
3	423PC06913	Thermostat Knob
4	423PC13218	Thermometer
5	423PC13096	Terminal Block
6	423PC202103	Fan 120V
7	423PC13365	1950 Watt Heating Element, 120V
8	423PC13367	675 Watt Heating Element, 120V
9	---	Fan Intake Collar
10	423PC11185	Stainless Steel Water Pan
11	423PCSCLP	Sensor and Bulb Clamp Kit
12	423PC13198	Thermal Cut-Out
13	---	Air Intake Cover
14	---	Air Exhaust Cover
15	423PCCMA	Entire Drawer Assembly

CABINET BODY		
#	PART #	DESCRIPTION
16	423PC120PC	Power Cord 120V
17	---	Rubber Gromet
18	---	Strain Relief
19	423PCUSLDPR	Universal Wire Slides (1 pair)
20	---	Plastic Drip Pan
21	---	Drip Trough
22	423PCSCNB	5" Swivel Caster
23	423PCSCWD	5" Brake Caster
24	423PC14119	Door Hinge
25	423PC14118	Door Handle
26(A)	423PCCFDR	Clear Full Height Door (gasket and hardware not included)
26(B)	423PCCDDR	Clear Dutch Door (gasket and hardware not included)
26(C)	423PCSFDR	Solid Full Height Door - Insulated Models Only (gasket and hardware not included)
26(D)	423PCSDDR	Solid Dutch Door - Insulated Models Only (gasket and hardware not included)
27	423PCSHLF	Accessory Shelf
28(A)	423PCCFDRGKT	Door Gasket, Full Height
28(B)	423PCCDDRGT	Door Gasket, Dutch Door
29	---	Insulation Components - Insulated Models Only

PARTS DIAGRAM

HEATED HOLDING CABINETS

MODELS: 423CHIUFICD, 423CHIUFICF, 423CHIUFISD, 423CHIUFISF, 423CHIUFNCF, 423CH2UFISF, 423CH2UFNCF



PARTS LIST

HEATED HOLDING CABINETS

MODELS: 423CHIUFICD, 423CHIUFICF, 423CHIUFISD, 423CHIUFISF, 423CHIUFNCF, 423CH2UFISF, 423CH2UFNCF

WARNING: Only certified and insured food service technicians may service the unit.

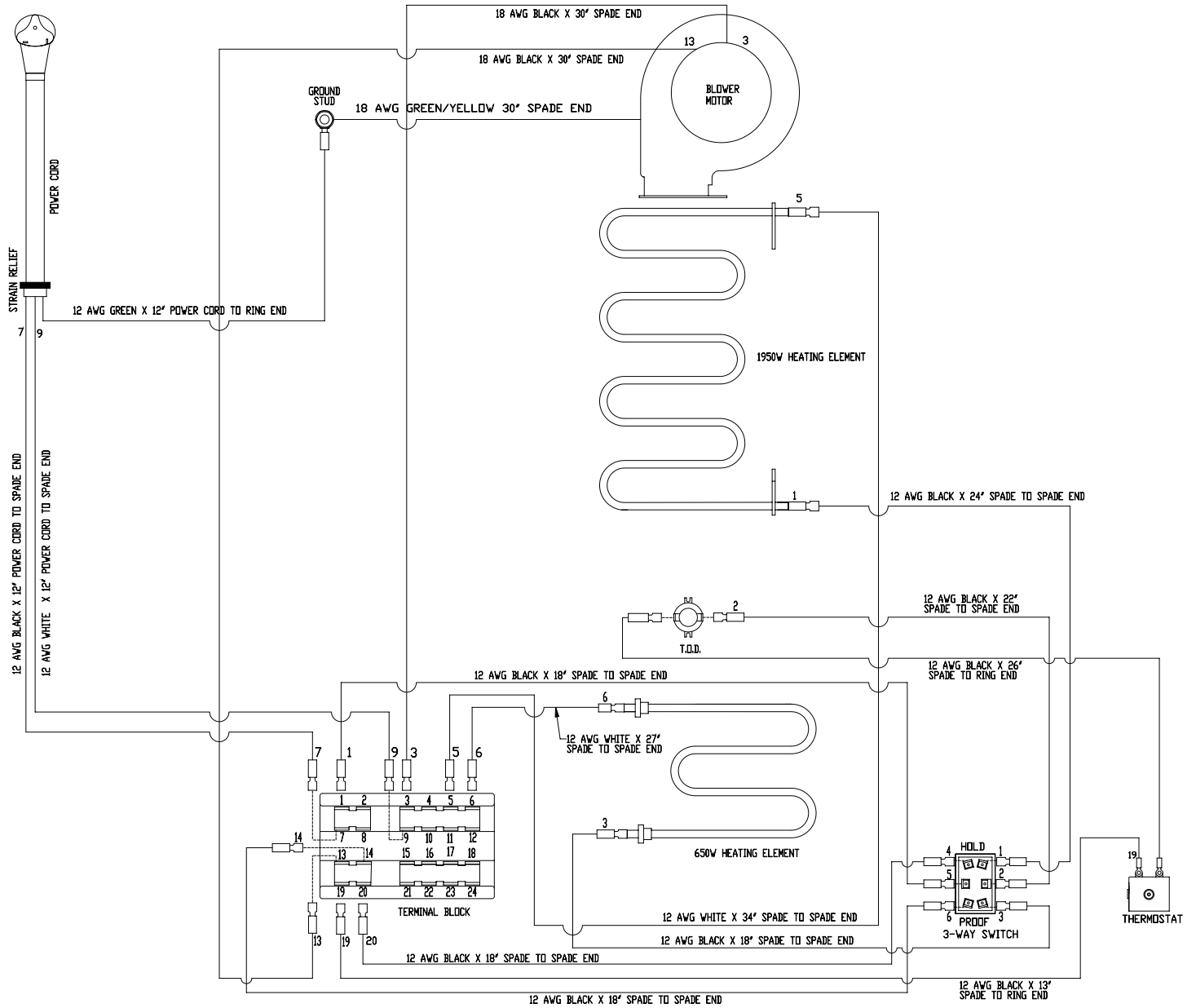
MODULE		
#	PART #	DESCRIPTION
1	423PC1313381	Power Selector Switch
2	423PC131721	Thermostat
3	423PC06913	Thermostat Knob
4	423PC13218	Thermometer
5	423PC13096	Terminal Block
6	423PC202103	Fan 120V
7	423PC13365	1950 Watt Heating Element, 120V
8	---	Fan Intake Collar
9	423PCSCLP	Sensor and Bulb Clamp Kit
10	423PC13198	Thermal Cut-Out
11	---	Air Intake Cover
12	---	Air Exhaust Cover
13	423PCHMA	Entire Drawer Assembly

CABINET BODY		
#	PART #	DESCRIPTION
14	423PC120PC	Power Cord 120V
15	---	Rubber Gromet
16	---	Strain Relief
17	423PCUSLDPR	Universal Wire Slides (1 pair)
18	423PCSCNB	5" Swivel Caster
19	423PCSCWD	5" Brake Caster
20	423PC14119	Door Hinge
21	423PC14118	Door Handle
22(A)	423PCCFDR	Clear Full Height Door (gasket and hardware not included)
22(B)	423PCCDDR	Clear Dutch Door (gasket and hardware not included)
22(C)	423PCSFDR	Solid Full Height Door - Insulated Models Only (gasket and hardware not included)
22(D)	423PCSDDR	Solid Dutch Door - Insulated Models Only (gasket and hardware not included)
23	423PCSHELF	Accessory Shelf
24(A)	423PCCFDRGKT	Door Gasket, Full Height
25(B)	423PCCDDRGT	Door Gasket, Dutch Door
26	---	Insulation Components - Insulated Models Only

WIRING DIAGRAM

HEATED HOLDING & PROOFING CABINETS

MODELS: 423CC1UFICD, 423CC1UFICF, 423CC1UFISD, 423CC1UFISF, 423CC1UFNCF, 423CC2UFISF, 423CC2UFNCF



WIRING DIAGRAM

HEATED HOLDING CABINETS

MODELS: 423CH1UFICD, 423CH1UFICF, 423CH1UFISD, 423CH1UFISF, 423CH1UFNCF, 423CH2UFISF, 423CH2UFNCF

