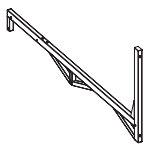
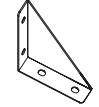
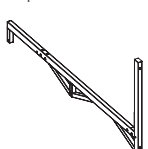

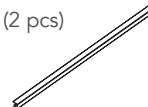


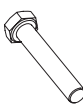
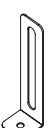


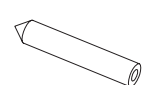
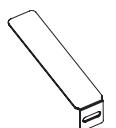

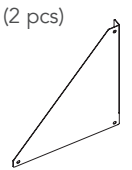




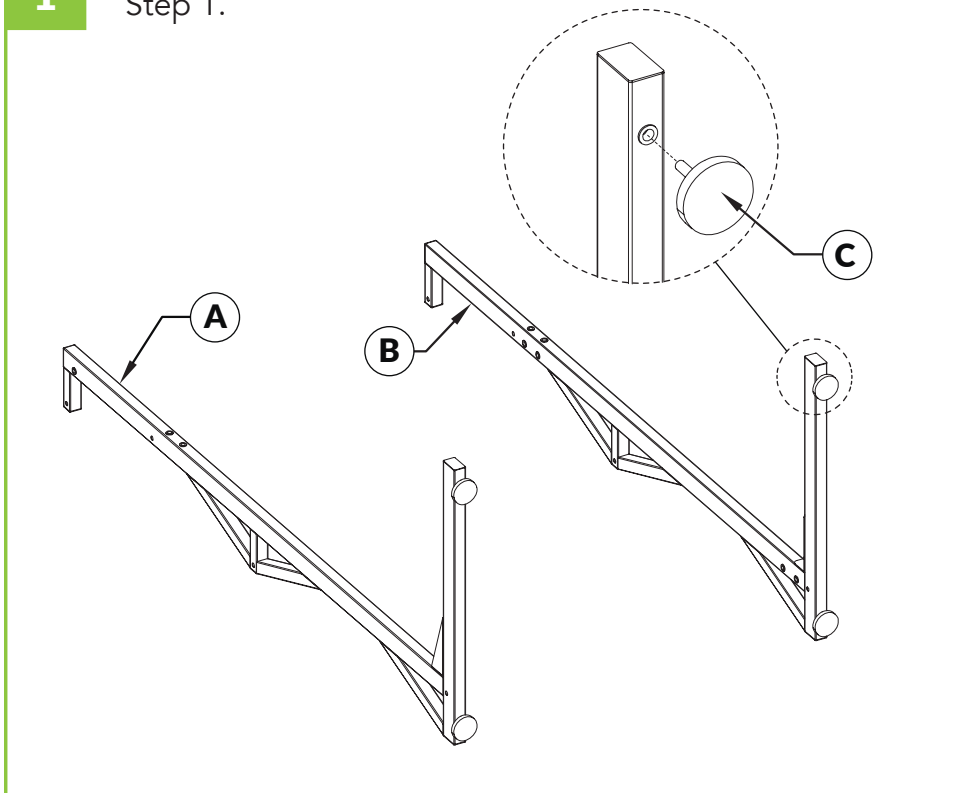
SALAMANDER BROILER STAND ASSEMBLY INSTRUCTIONS

REGENCY
Tables and Sinks

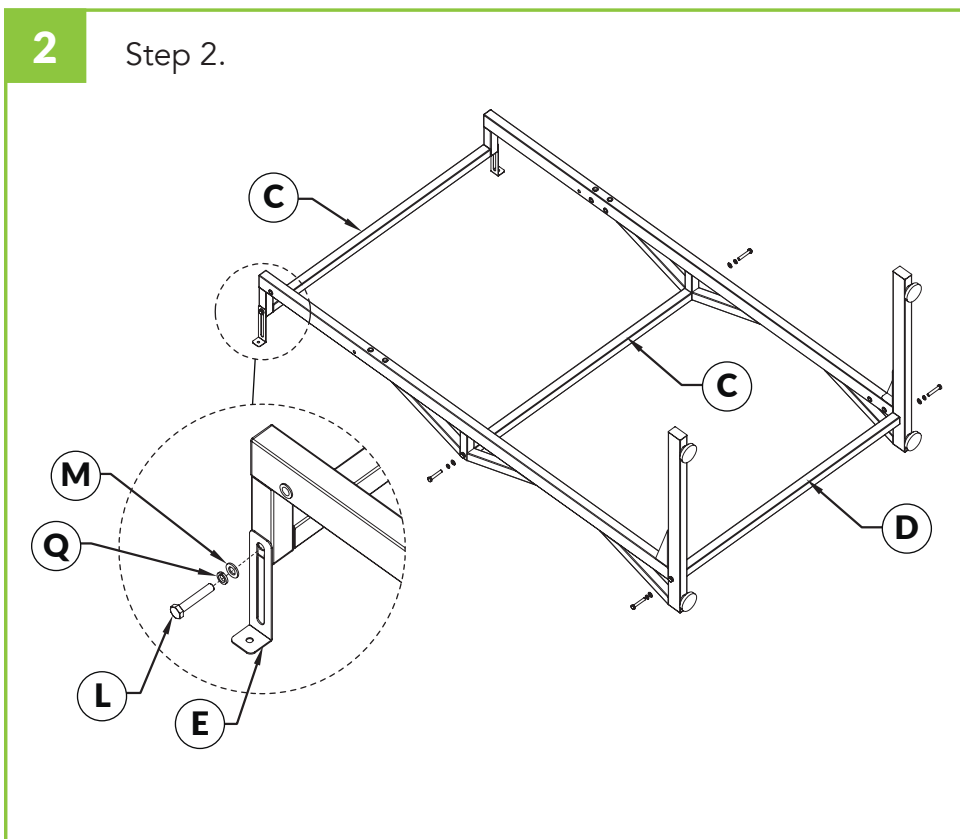
CONTENTS INCLUDE

A (1 pc) 	I (6 pcs) 
B (1 pc) 	J (4 pcs) Threaded Feet 
C (2 pcs) 	K (26 pcs) M8x16 
D (1 pc) 	L (10 pcs) M8x45 
E (2 pcs) 	M (36 pcs) 8x16x1 
F (1 pc) 	N (2 pcs) 6x45 Drywall Anchors 
G (2 pcs) 	O (2 pcs) 6x35 Mounting Screw 
H (2 pcs) 	P (2 pcs) 6x12x1 
	Q (36 pcs) M8 

1 Step 1.



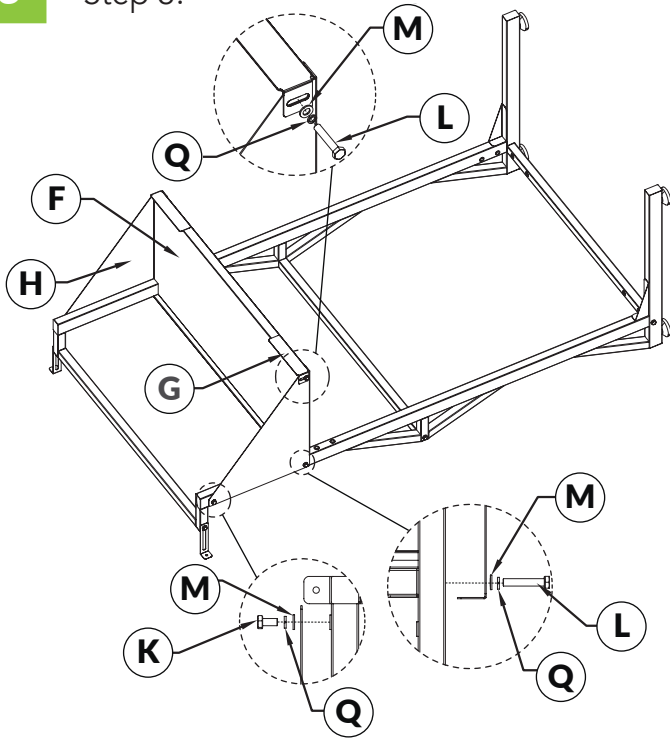
2 Step 2.



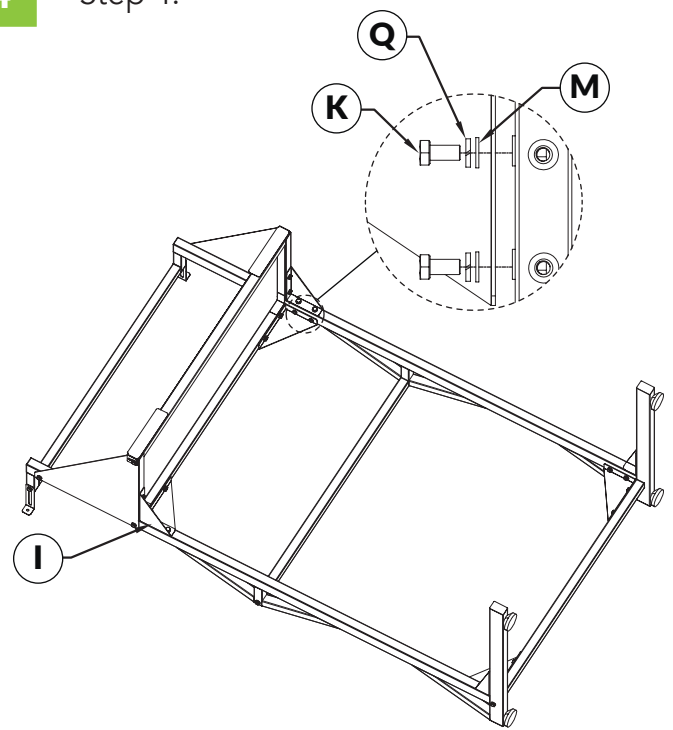
SALAMANDER BROILER STAND ASSEMBLY INSTRUCTIONS

REGENCY
Tables and Sinks

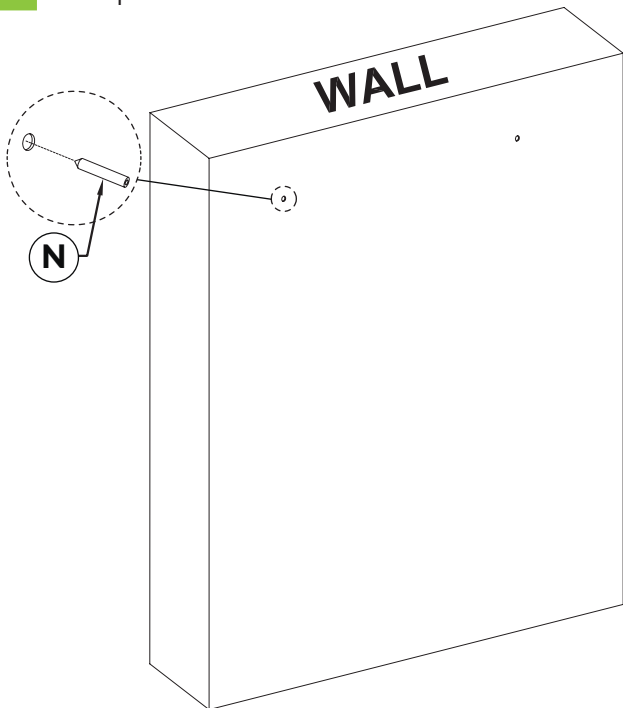
3 Step 3.



4 Step 4.



5 Step 5.



6 Step 6.

