

KitchenAid®

MIXER

MODELS:

KSMC895CU1 (Contour Silver)

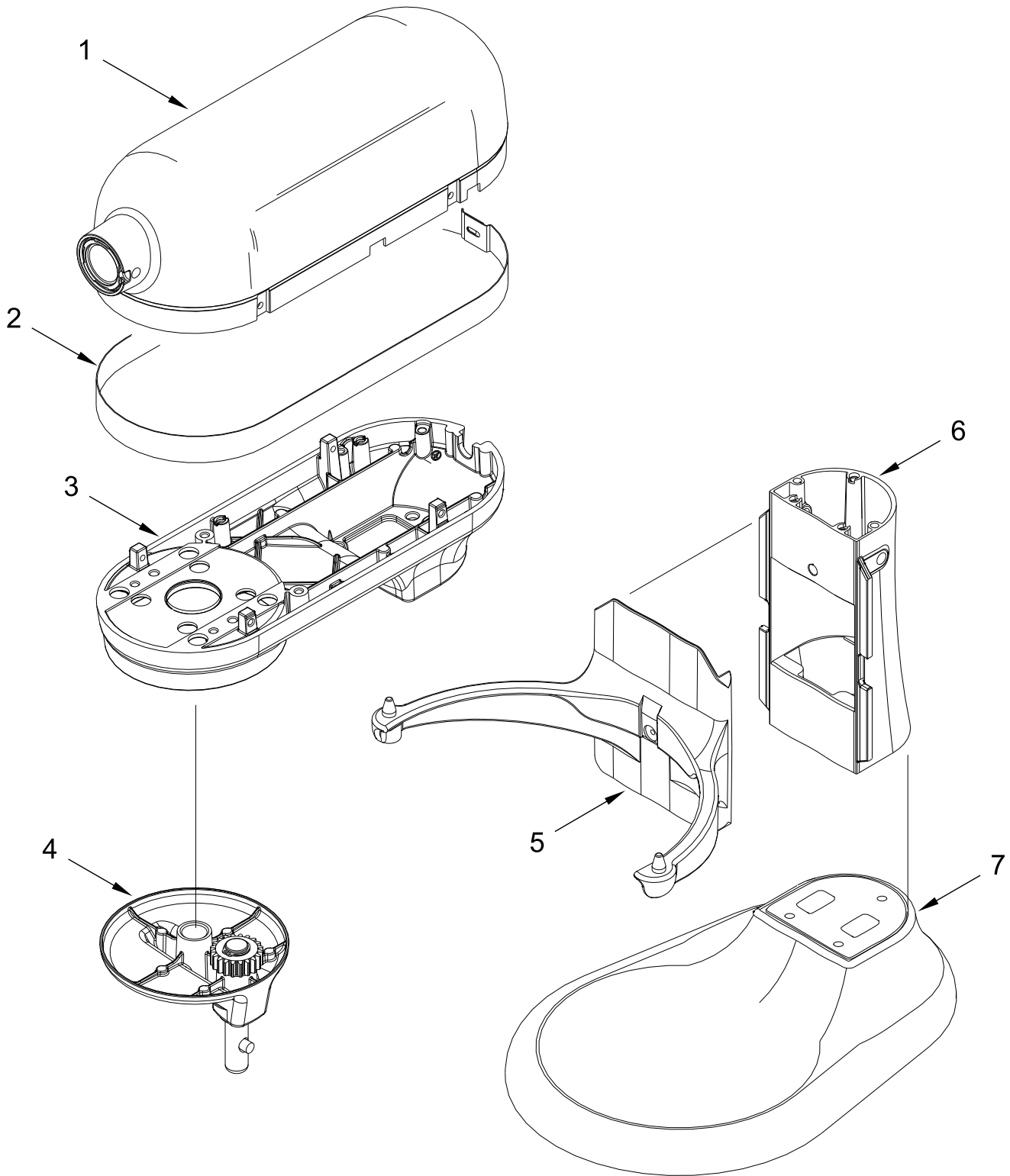
KSMC895ER1 (Empire Red)

KSMC895NP1 (Nickel Pearl)

KSMC895OB1 (Onyx Black)

KSMC895WH1 (White)

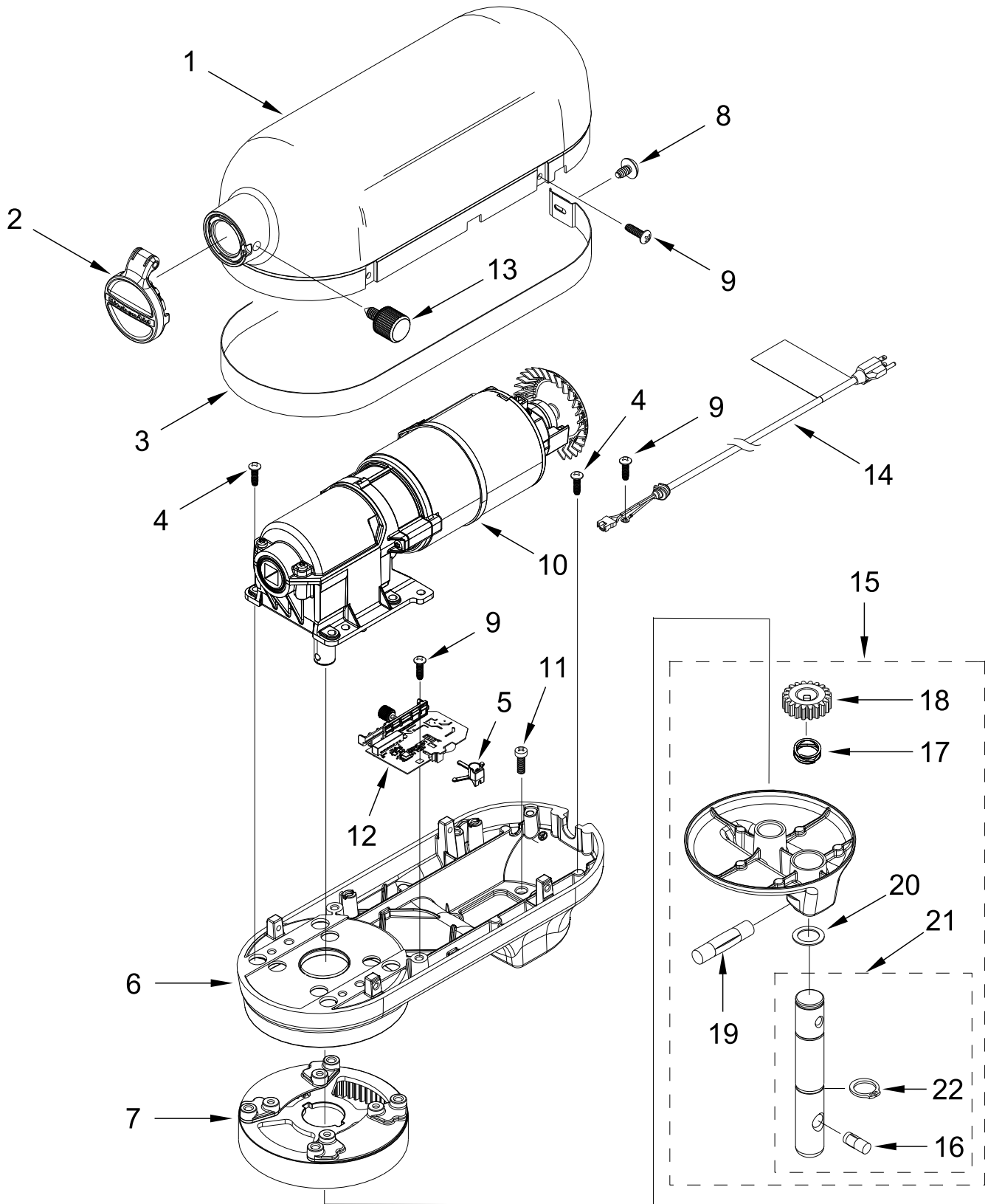
COLOR VARIATION PARTS



COLOR VARIATION PARTS

| <u>Illus.</u> <u>No.</u> | <u>Part No.</u> | <u>Description</u> | <u>Illus.</u> <u>No.</u> | <u>Part No.</u> | <u>Description</u> | <u>Illus.</u> <u>No.</u> | <u>Part No.</u> | <u>Description</u> |
|-----------------------------|-----------------|--------------------|-----------------------------|-----------------|-----------------------|-----------------------------|-----------------|----------------------|
| 1 | | Motor Housing | 4 | | Planetary | 7 | | Base & Foot Assembly |
| | W10327951 | Contour Silver | | W11589994 | Chrome | | W10328017 | Contour Silver |
| | 9705300 | Empire Red | 5 | | Bowl Support and Pins | | 9705348 | Empire Red |
| | 9708749 | Nickel Pearl | | W10327966 | Contour Silver | | 9708766 | Nickel Pearl |
| | 9705296 | Onyx Black | | 9705360 | Empire Red | | 9705344 | Onyx Black |
| | 9703311 | White | | 9708760 | Nickel Pearl | | 9703690 | White |
| 2 | | Trim Band | | 9705356 | Onyx Black | | | |
| | W10540366 | Dark Platinum | | 9703674 | White | | | |
| 3 | | Lower Gearcase | 6 | | Column and Pins | | | |
| | W11520143 | Contour Silver | | W10328003 | Contour Silver | | | |
| | W11520142 | Empire Red | | 9705324 | Empire Red | | | |
| | W11527631 | Nickel Pearl | | 9708763 | Nickel Pearl | | | |
| | W11421149 | Onyx Black | | 9705320 | Onyx Black | | | |
| | W11520144 | White | | 9703673 | White | | | |

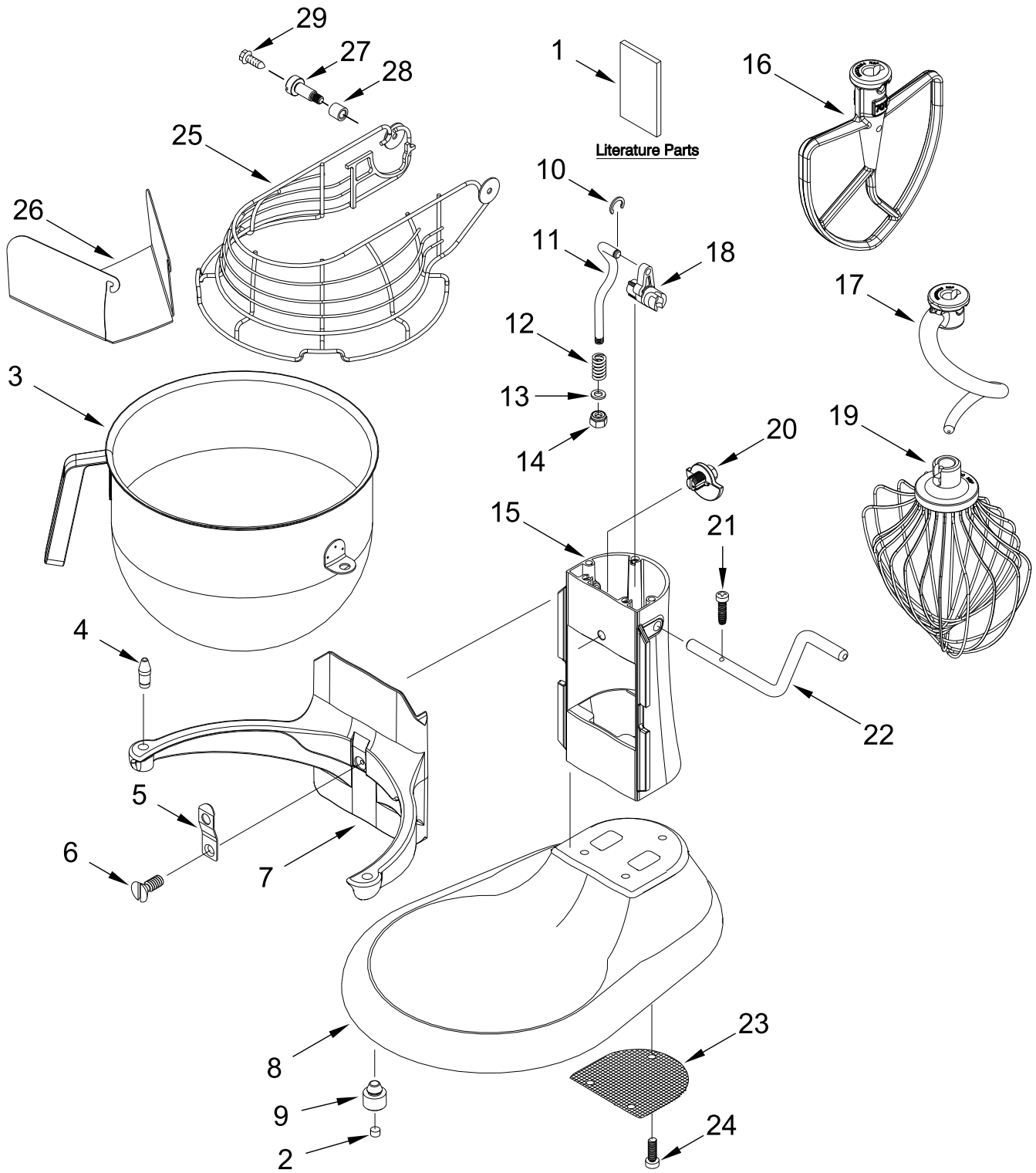
CASE, GEARING AND PLANETARY UNIT PARTS



CASE, GEARING AND PLANETARY UNIT PARTS

| <u>Illus. No.</u> | <u>Part No.</u> | <u>Description</u> | <u>Illus. No.</u> | <u>Part No.</u> | <u>Description</u> | <u>Illus. No.</u> | <u>Part No.</u> | <u>Description</u> |
|-------------------|-----------------|---|-------------------|-----------------|---|-------------------|-----------------|--------------------|
| 1 | | Motor Housing (Refer to Color Variation Parts Page) | 8 | 3400617 | Screw | 17 | W11537260 | Spring, Wave |
| | | | 9 | 3400814 | Screw | 18 | W11553110 | Gear, Pinion |
| | | | 10 | W10517938 | Motor, 120 Volt Assembly | 19 | W10234531 | Pin, Groove |
| 2 | W10394928 | Cap, Attachment Hub, Hinged | | | | 20 | 8533910 | Washer |
| | | | 11 | 3400200 | Screw | 21 | W11531546 | Shaft, Agitator |
| 3 | | Trim Band (Refer to Color Variation Parts Page) | 12 | W10599478 | Control, 120 Volt | 22 | 9703680 | Clip, Retaining |
| | | | 13 | | Thumb Screw | | | |
| 4 | W10351843 | Screw | | W10360791 | Black | | | |
| 5 | W10305968 | Holder, Control | 14 | | Cord, Power | | | |
| 6 | | Lower Gearcase (Refer to Color Variation Parts Page) | | W11199160 | Orange | | | |
| | | | 15 | | Planetary Assembly (Refer to Color Variation Parts Page) | | | |
| 7 | W11518734 | Assembly, Ring Gear and Plate | 16 | W11533778 | Pin, Groove | | | |

BASE AND PEDESTAL UNIT PARTS



BASE AND PEDESTAL UNIT PARTS

| <u>Illus. No.</u> | <u>Part No.</u> | <u>Description</u> | <u>Illus. No.</u> | <u>Part No.</u> | <u>Description</u> | <u>Illus. No.</u> | <u>Part No.</u> | <u>Description</u> |
|-------------------|-----------------|---|-------------------|-----------------|---|-------------------|-----------------|--------------------|
| 1 | | Literature Parts | 9 | 9708649 | Foot | 20 | 9703426 | Cam, Adjusting |
| | W10581080 | Use and Care Guide | 10 | 9703307 | Ring, Retaining | 21 | 3400863 | Screw |
| 2 | W10439369 | Plug, Foot | 11 | W11376364 | Rod, Bowl Lift | 22 | W11376371 | Handle, Bowl Lift |
| 3 | W10508588 | Bowl, 8 Quart | 12 | 9237 | Spring, Lift Rod | 23 | 9706814 | Screen, Vent |
| 4 | 240185 | Pin, Retaining Bowl | 13 | 9703439 | Washer | 24 | 3400200 | Screw |
| 5 | W10504114 | Clip, Bowl Retainer | 14 | 8533907 | Nut | 25 | W10622342 | Guard, Bowl |
| 6 | 3400018 | Screw | 15 | | Column and Pins (Refer to Color Variation Parts Page) | 26 | W10600050 | Chute, Pouring |
| 7 | | Bowl Support and Pins (Refer to Color Variation Parts Page) | 16 | W10720793 | Beater, Flat (Stainless) | 27 | W10308293 | Pin, Guard |
| 8 | | Base and Foot Assembly (Refer to Color Variation Parts Page) | 17 | W10720794 | Hook, Dough (Stainless) | 28 | W10445096 | Sleeve, Guard |
| | | | 18 | 9706885 | Arm, Bowl Lift | 29 | W10572158 | Screw |
| | | | 19 | W10600940 | Whip, Wire | | | |