

MOUNTED POT RACKS ASSEMBLY INSTRUCTIONS

600TMPR48, 600TMPR60, 600TMPR72

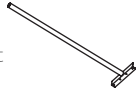
REGENCY
Tables and Sinks

PARTS

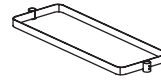
A) 1pc
Crossbar



B) 2pcs
Upright Post



C) 1pc
Pot Rack



D) 8pcs
Set Screws

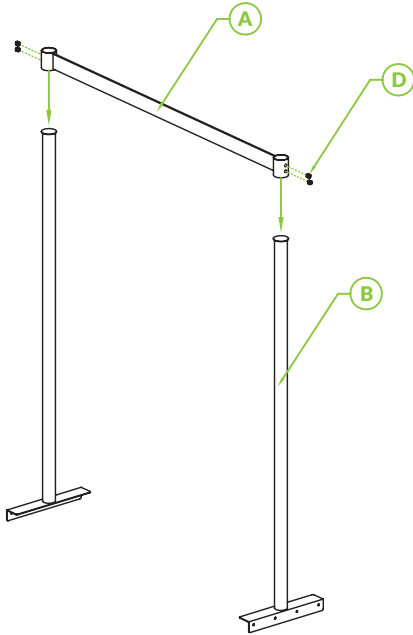


E) 8pcs
Mounting Screws



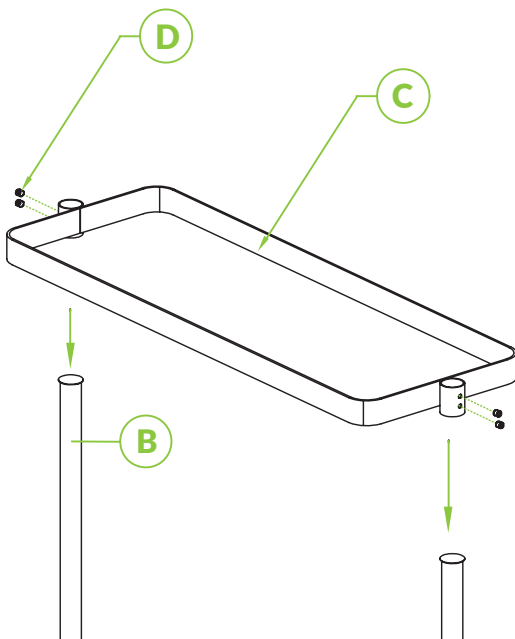
1

Attach the crossbar (A) to the upright posts (B) using the set screw (D).



2

Place the pot rack (C) on the upright posts (B) and secure it using set screws (D).



3

Mount the upright posts (B) to your table and secure using the mounting screws (E).

