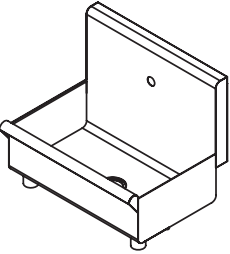
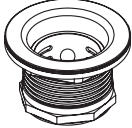
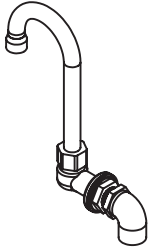
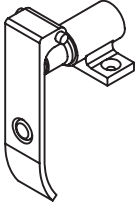
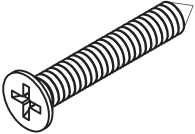

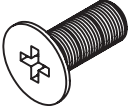

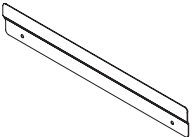
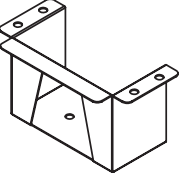
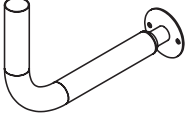

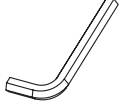
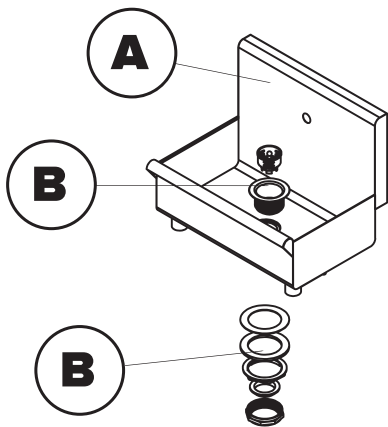


REGENCY MULTI STATION SINK WITH KNEE VALVE ASSEMBLY

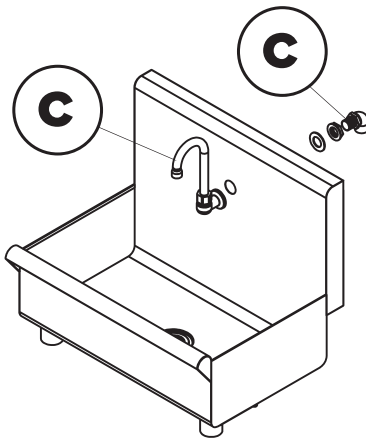
PARTS LIST

(A) 1pc 	(B) 1pc  <small>*120" models 2 pc</small>	(C) 	(D) 	(E) 8pc 	(F) 8pc 	
(G) 2pc 	(H) 6pc 	(I) 2pc 	(J) 	(K) 2pc 	(L) 4pc 	(M) not included 

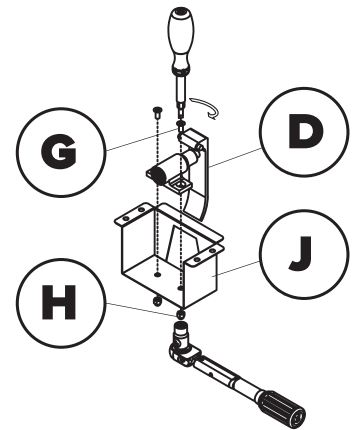
- 1** Place sink upright and install drain(s).



- 2** Install faucet(s). Your plumbing contractor is responsible for local code requirements.

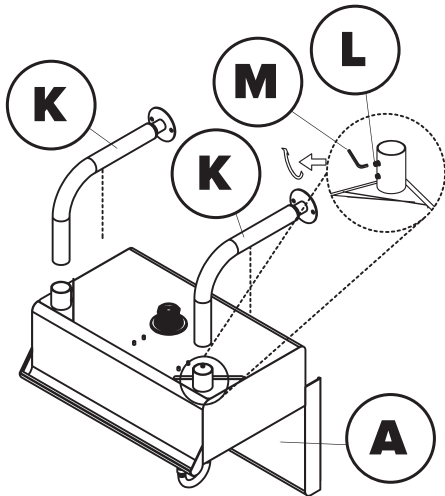


- 3** Use screwdriver to secure the knee pedal valve (D) inside the knee valve bracket (J) using the included hardware (G,H).

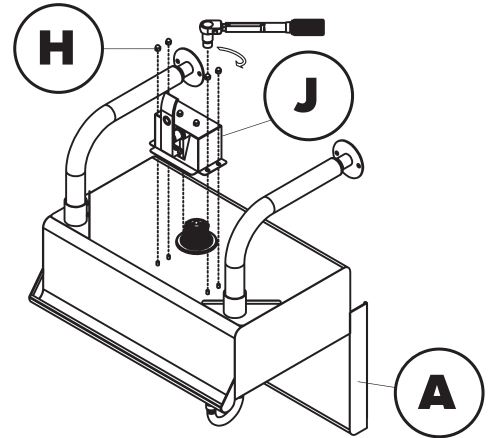


REGENCY MULTI STATION SINK WITH KNEE VALVE ASSEMBLY

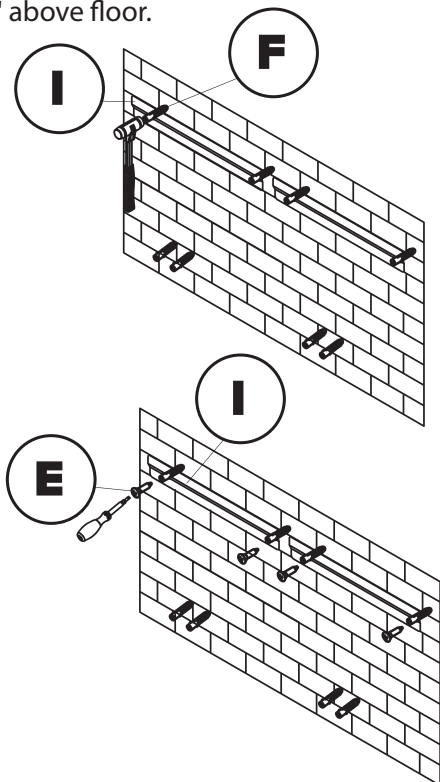
- 4** Invert sink and place on a protected surface. Place tubular wall supports (K) into the sink gussets. Using an Allen Wrench (M) tighten the set screws (L).



- 5** Use a socket wrench and provided hardware (H) to secure the knee pedal bracket(s) to the underside of the sink.



- 6** At desired height, mount the "Z" brackets (I) on the wall. Brackets should be mounted using included drywall anchors (F), for adequate support. Recommended mounting height for brackets is 42" above floor.



- 7** Use screws (E) to secure the tubular wall supports (K) to the wall.

