

Multi-Station Wall Mounted Hand Sink

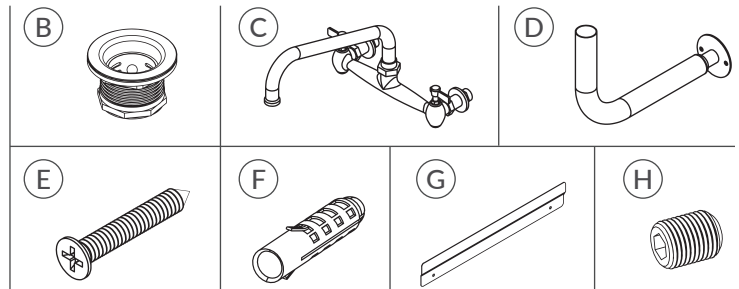
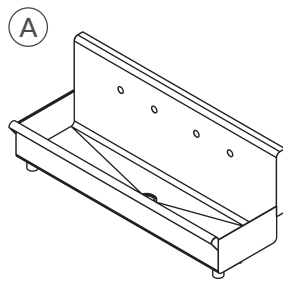
Assembly Instructions

TOOLS REQUIRED

Allen wrench (not included)

PARTS:

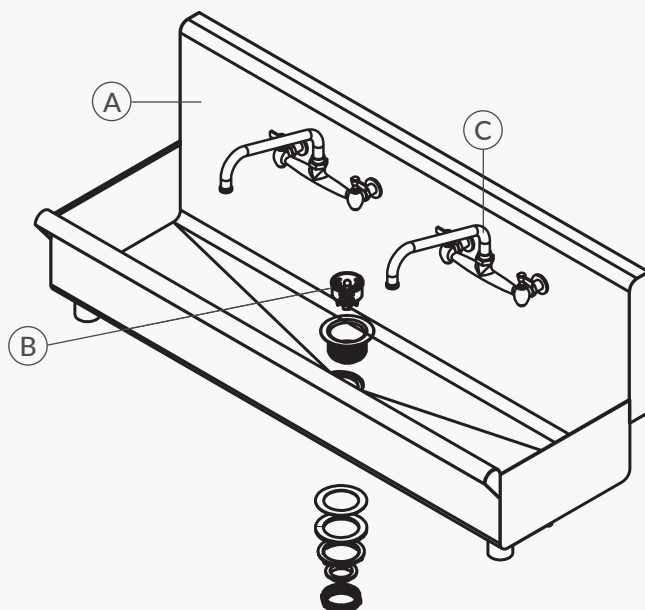
- (A) (1) Sink
- (B) Drain(s)
 - 48"-96" models include 1
 - 120" models include 2
- (C) Faucets
 - 48" models include 2
 - 72" models include 3
 - 96" models include 4
 - 120" models include 5
- (D) (2) Tubular Wall Supports
- (E) (4) Set Screws
- (F) (8) Drywall Anchors
- (G) (2) Z Brackets
- (H) (8) Screws



Assembly Instructions

1. Place sink upright and install drain(s).
2. Install faucets. Your plumbing contractor is responsible for local code requirements.

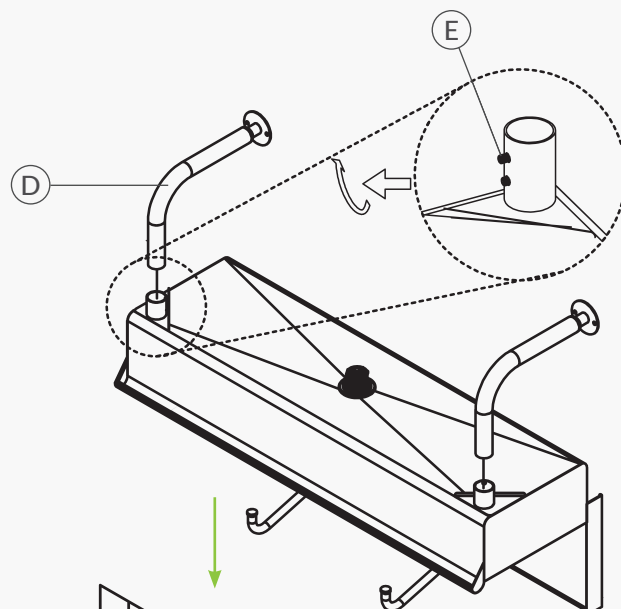
Instructions continued on back.



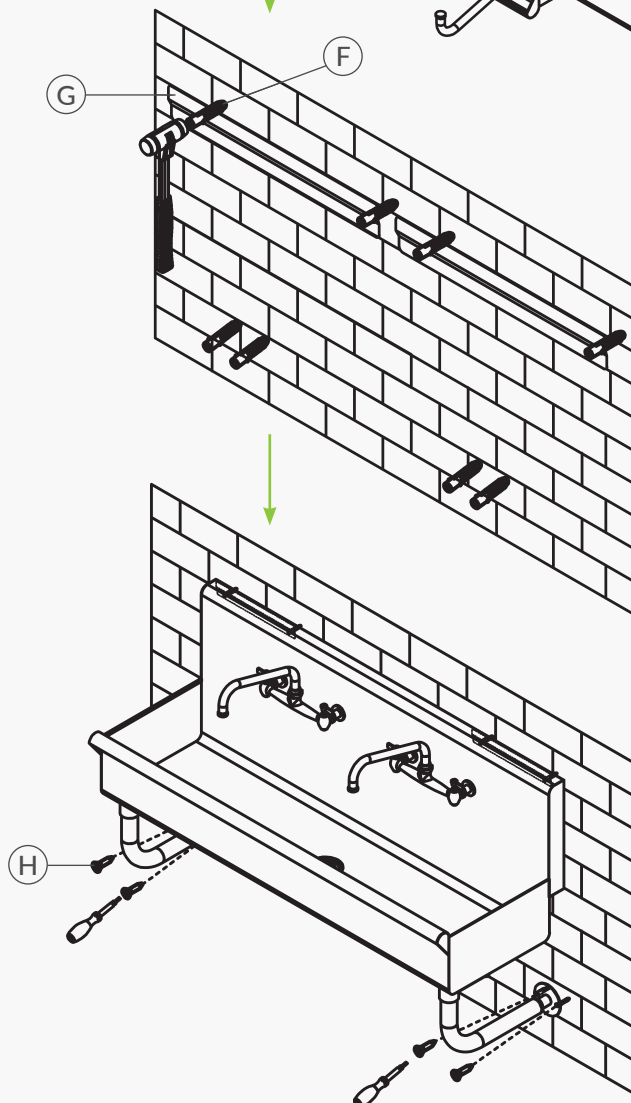
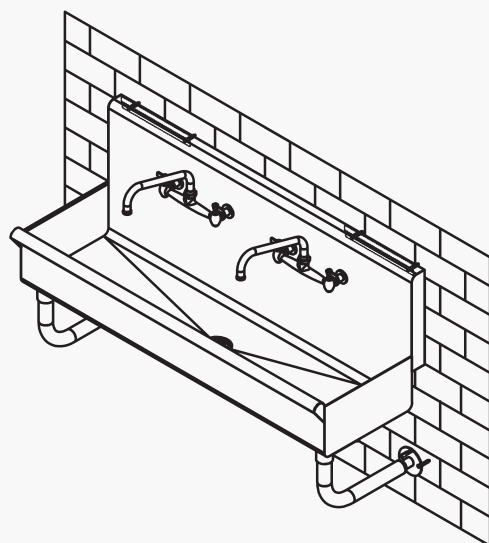
WARNING! Risk of personal injury. Stainless steel edges are sharp and can cause cuts. Wear gloves during installation and handle with care.

Assembly Instructions Cont.

3. Invert sink and place on a protected surface. Place tubular wall supports (D) into the sink gussets. Using an allen wrench tighten the set screws (E).
4. Position sink upright.
5. At desired height, mount the "Z" brackets (G) on the wall. Brackets should be mounted using included drywall anchors (F) for adequate support. Recommended mounting height for brackets is 42" above floor.
6. Use screws (H) to secure the tubular wall supports (D) to the wall.



FINAL ASSEMBLY



WARNING! Risk of personal injury. Stainless steel edges are sharp and can cause cuts. Wear gloves during installation and handle with care.