

Equipment Stand with Undershelf

Assembly Instructions

TOOLS REQUIRED

Allen wrench (included)

4 Leg Table

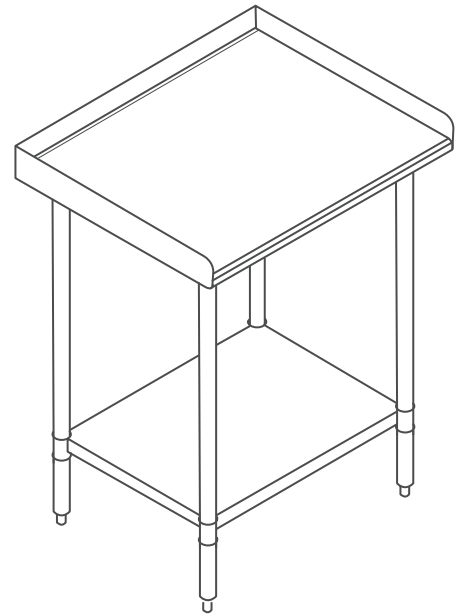
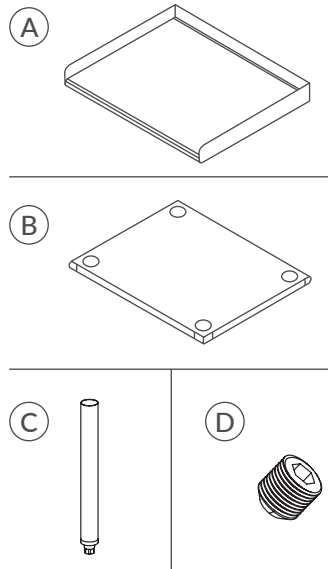
PARTS:

- (A) (1) Stainless Steel Top
- (B) (1) Undershelf
- (C) (4) Legs
- (D) (8) Tightening Screws

6 Leg Table

PARTS:

- (A) (1) Stainless Steel Top
- (B) (1) Undershelf
- (C) (6) Legs
- (D) (16) Tightening Screws



Assembly Instructions

1. Make sure the assembly area is clean and on a flat secure surface. Carefully remove all the contents within the box. Place the tabletop face down on a rug, carton, or other protected surface.
2. Insert the legs into the tabletop gussets. You may need to loosen the set screw if one struggles to go in.
3. Partially tighten the set screws (fully tightening will come later).
4. On each of the legs, mark the height where you'll be installing the undershelf.
5. Once marked, slide the shelf onto the legs and fully tighten the set screws.
6. Adjust the feet as needed to meet the height requirements or to compensate for uneven flooring.
7. With assistance, turn the table over and remove any protective film. The table is now ready to be used.

WARNING! Risk of personal injury. Stainless steel edges are sharp and can cause cuts. Wear gloves during installation and handle with care.

