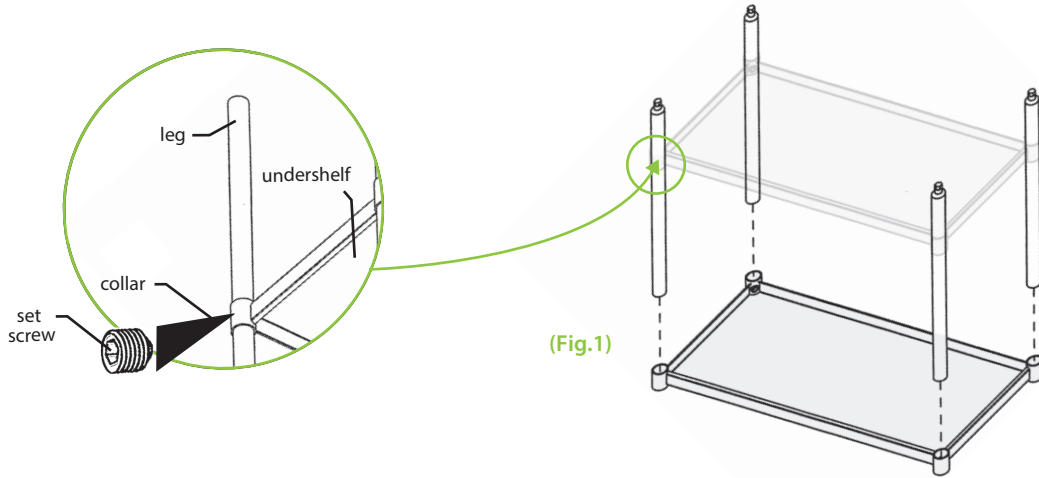
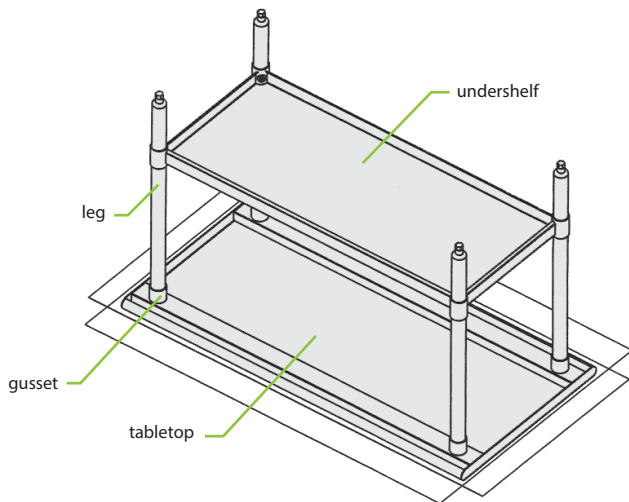


# Equipment Stand Assembly

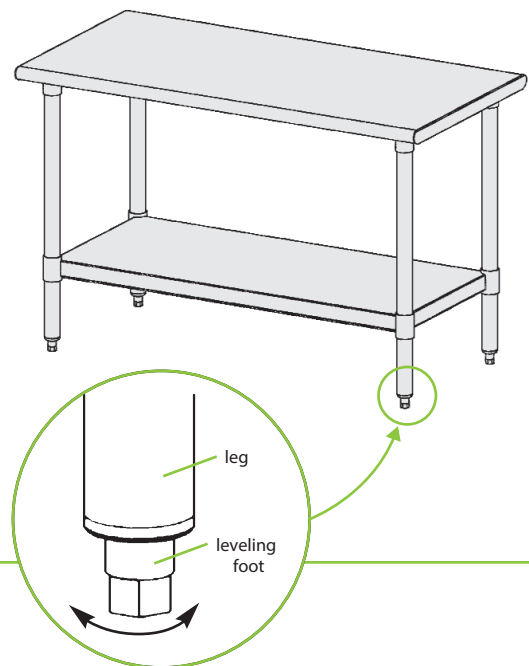
- 1** Mark each leg at a desired height and slide the undershelf down from the top of the legs. (Fig.1) Place the tabletop upside down on a surface that won't scratch it.



- 2** With the tabletop face down, insert legs with the undershelf into the tabletop and secure tight.



- 3** Turn table upright and level by adjusting bullet feet.



- 4** Assembly is complete.

**WARNING:** Risk of personal injury. Stainless steel edges are sharp and can cause cuts. Use gloves and handle with care.