

# Portable Bar

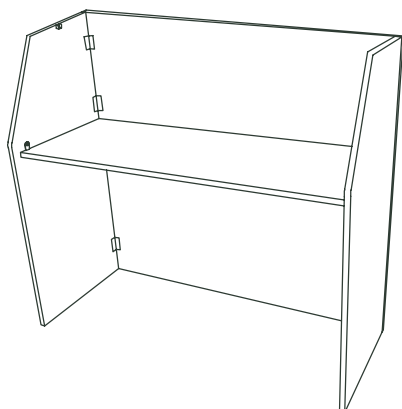
## ASSEMBLY INSTRUCTIONS



LANCASTER™  
TABLE & SEATING

### PARTS LIST:

1 1/PC



REQUIRED TOOLS: • Screwdriver

2 1/PC



3 1/PC



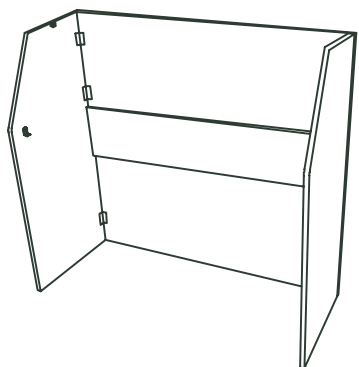
4 5/PC



Use the 5 piece screws to assemble the steel support with the top board, then put the top board on the top of the portable bar table

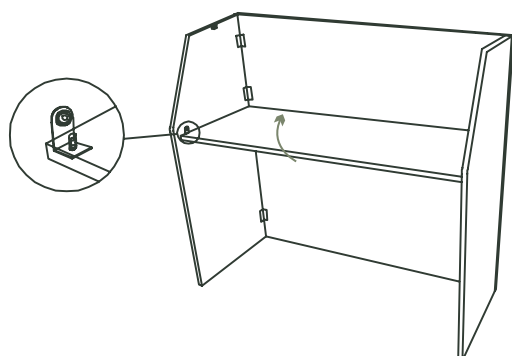
### STEP 1

Start by standing your portable bar upright.



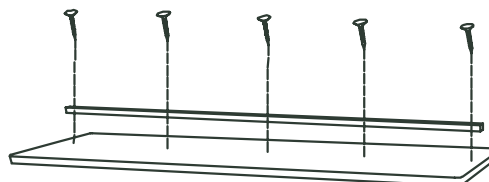
### STEP 2

Pull the attached shelf upwards and place it on the shelf pegs provided.



### STEP 3

Use the five provided screws and a screwdriver to assemble the steel support and attach it to the bar top.



### STEP 4

Once the steel support is attached, flip the bar top over and secure it to the standing portable bar.

