

# OWNER'S MANUAL

# Versa Tabletop Food Bars Cambro® Versa Food Service System

This manual applies to the following Versa Tabletop Food Bar models:

4TTFBSBG, 5TTFBSBG, 6TTFBSBG, 4TTFSB, 5TTFSB, 6TTFSB, 4TTSG, 5TTSG, 6TTSG

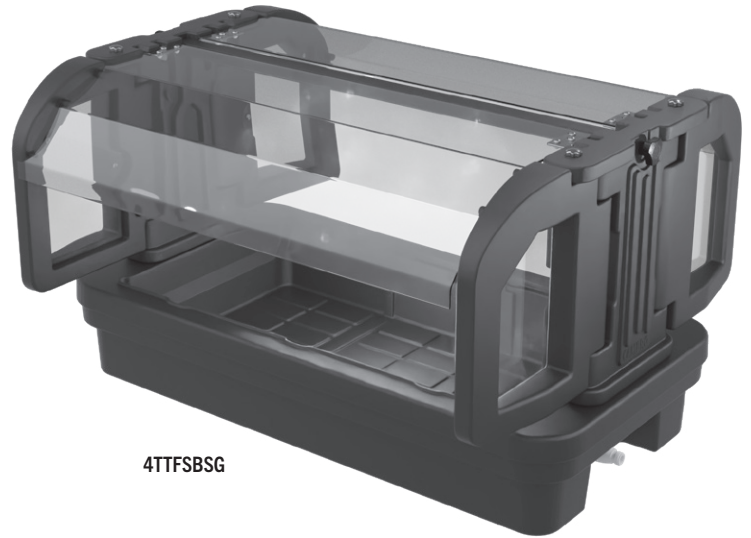
## Table of Contents

Introduction.....	1
Section I Assembly.....	1
Section II Mobility & Storage .....	3
Section III Safety Information .....	4
Section IV Cleaning and Maintenance.....	4
Section V Warranty.....	4
Section VI Replacement Parts .....	4

## Introduction

Congratulations on the purchase of your new Versa Tabletop Food Bar. This Owners Manual provides you with a step-by-step guide to assembling, operating, and maintaining your Versa Tabletop Food Bar system.

If you have further questions, please contact your Cambro Sales Representative, visit our website at [www.cambro.com](http://www.cambro.com) or call our Customer Service Department.



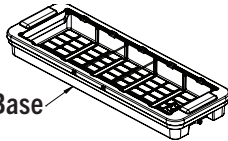
4TTFBSBG

## Section I - Versa Tabletop Food Bars Assembly Instructions

Tools Needed For Assembly: 5/8" Socket Wrench

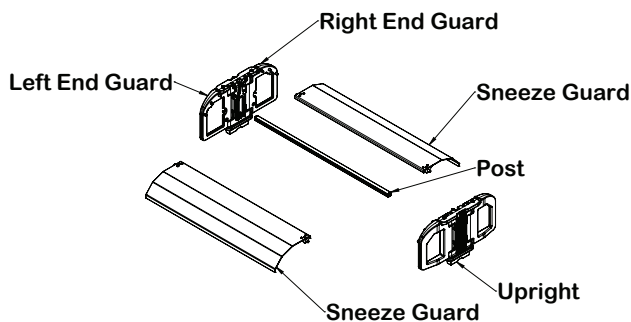
**Models 4TTFSB, 5TTFSB and 6TTFSB** Includes: One Drain Shelf

Tabletop Food Bar Base



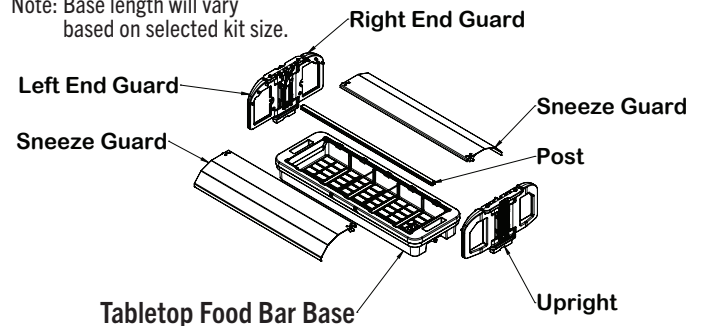
Note: Base length will vary based on selected kit size.

**Models 4TTSG, 5TTSG and 6TTSG**



**Models 4TTFBSBG, 5TTFBSBG and 6TTFBSBG**

Note: Base length will vary based on selected kit size.



Models that include Bag of Hardware:

- 4TTSG
- 5TTSG
- 6TTSG
- 4TTFBSBG
- 5TTFBSBG
- 6TTFBSBG

Bag of Hardware contains:

- Four Stainless Steel Bolts
- Four Stainless Steel Washers
- Two Nylon Knobs
- One Drain Shelf

Assembly instructions available



VIDEO



If you have further questions, please contact your Cambro Sales Representative, visit our website at [www.cambro.com](http://www.cambro.com) or call our Customer Service Department at 800 833 3003, 714 848 1555 (in the U.S.), or 0800 587 0057 (in the U.K.).



# Sneeze Guard Assembly Instructions

Instructions apply to the following models: 4TTFSBSG, 5TTFSBSG, and 6TTFSBSG, as well as the separate purchase and installation of the 4TTSG, 5TTSG, and 6TTSG.

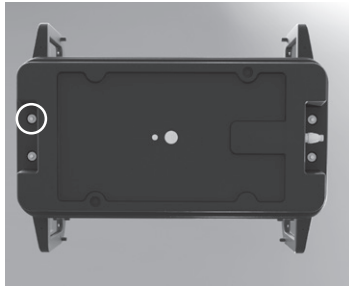
1. Prepare the Food Bar:
  - Place the Versa Tabletop Food Bar on a stable table or work surface.



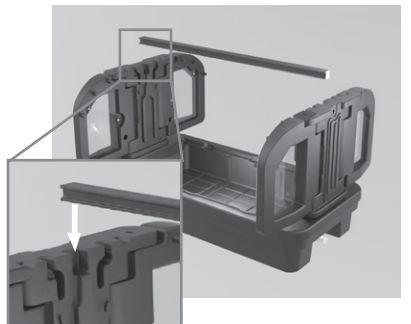
2. Install the Assembled Uprights:
  - Take the two assembled uprights and slide them into the designated slots on the Food Bar. (See reference image below.)



3. Secure the Assembled Upright:
  - Open the hardware bag and take out four stainless bolts and four stainless steel washers.
  - Using a 5/8" socket wrench, securely bolt the uprights onto the food bar. (See reference image below.)



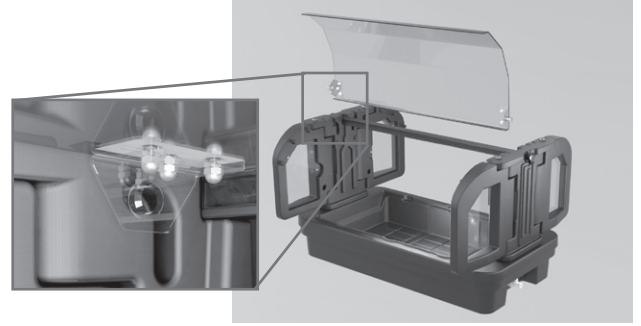
4. Attach the Post:
  - Position the post between the two uprights as shown in the image below.



5. Secure the Post:
  - Take the two nylon knobs and screw them into the designated hole locations on the outside of the uprights to lock the post in place.



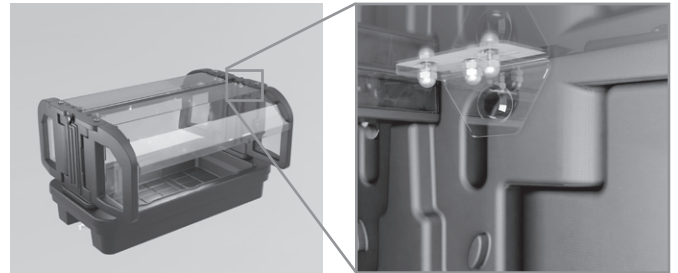
6. Install the Sneeze Guards:
  - Take the two sneeze guards and firmly push them into the slots located on the uprights.
  - Note: You may need to apply firm pressure to fit the brackets securely into the slots. The tight fit ensures that the sneeze guard remains in place during use.



## Sneeze Guard Positions:

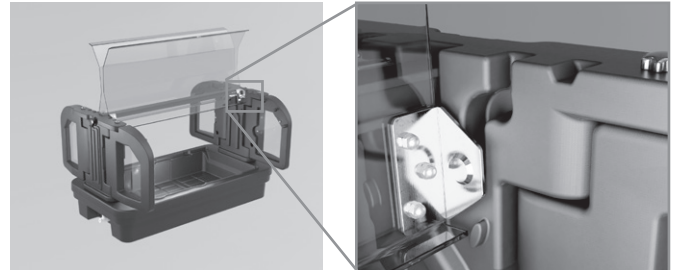
### Closed Position:

- This position is used to protect food from outside contaminants.
- The bracket should be positioned as shown below, with the sneeze guard lying flat.



### Open Position:

- This position is used for loading or unloading food from the Food Bar.
- The bracket should be positioned as shown below, with the sneeze guard in an upright position.



## Final Check:

- Ensure all bolts, washers, and knobs are securely fastened.
- Verify that the sneeze guards move smoothly between the open and closed positions.
- When placing the Food Bar on the table, ensure the specified dimensions are met to comply with NSF guidelines. (See Diagram Below.)

**IMPORTANT:**  
 The maximum height from floor to bottom edge of sneeze guard NOT to exceed 52" to meet NSF guidelines.

Maximum Height 52"

The Versa Tabletop Food Bar is now fully assembled and ready for use.

## Section II - Mobility and Storage

### CAUTION

- Transporting the food bar requires a minimum of two people.
- When lifting or moving the unit, always grip the outer edges of the Food Bar.
- Do not lift or pull by the uprights or sneeze guards. Applying excessive force to these components can damage the part.

### Collapsing the Sneeze Guard for Storage or Transport:

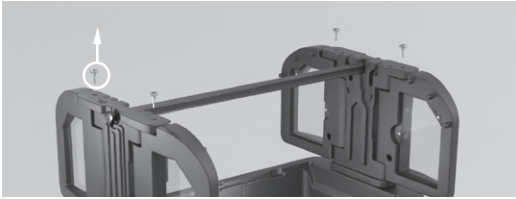
#### Step 1: Position the Sneeze Guard Upright

Begin by positioning the sneeze guard in the upright position. To do this, grasp the sneeze guard and slide the hinge bracket downward while rotating the sneeze guard upward, as shown below.



#### Step 2: Removing End Guard Knobs

Remove all four knobs securing the left and right end guards. To remove each knob, simply grip the head and twist it counterclockwise until it comes off.

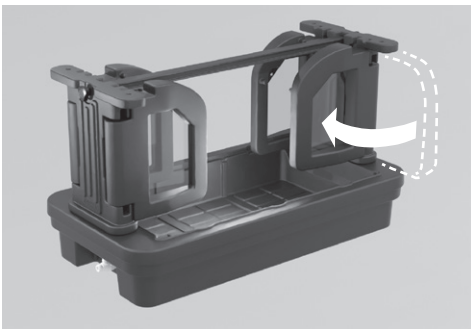


#### Step 3: Remove the Sneeze Guard

Firmly grasp the center of the sneeze guard and push upward to release it from the upright. Once removed, place it in a safe area.

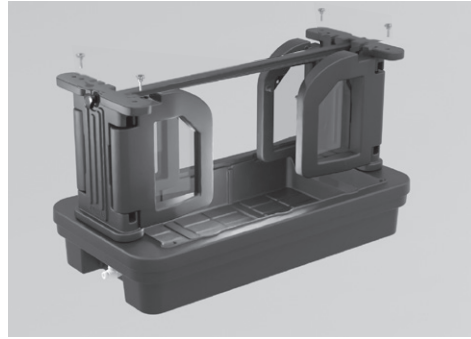
#### Step 4: Fold End Guards Inward

With the knobs removed, you can now fold both the left and right end guards inward into the body of the unit. This allows the Food Bar to fit through tight spaces, requiring a minimum clearance width of 24.5 inches.



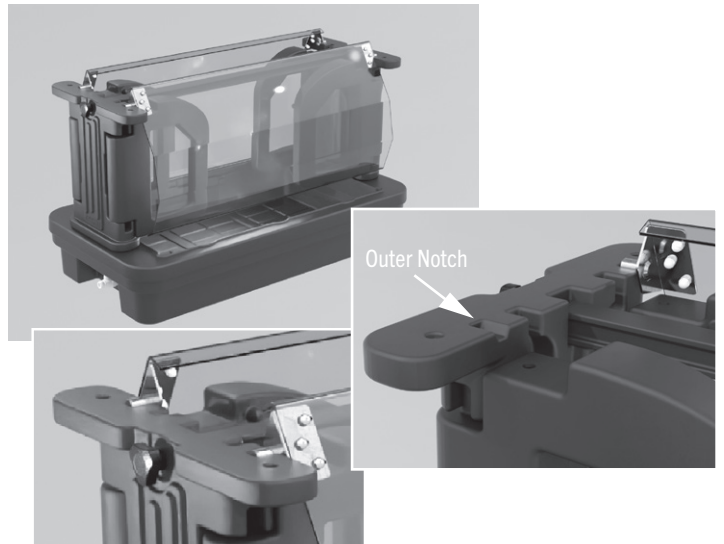
#### Step 5: Reinstall Knobs

Insert the removed knobs back into their mounting holes to prevent loss of components during transport.



#### Step 6: Lock the Sneeze Guard in Place

Reattach the sneeze guard by aligning it with the slot shown below and locking it securely into place.



#### Step 7: Prepare for Transportation

Once both sneeze guards are locked in place, the food bar is ready for transport. In this collapsed position, it will fit through spaces with a clearance of 24.5 inches.

## Versa Tabletop Food Bar Storage

When the Versa Tabletop Food Bar is not in use, there are three recommended storage methods:

1. Closed Serving Position (requires ample space).
  - Leave the sneeze guard in the closed serving position.
  - Do not place heavy objects on top of the sneeze guard.
2. Collapsed Position (fits in tighter spaces).
  - Store the unit in its collapsed position (refer to the "Collapsing the Sneeze Guard" instructions).
  - Do not place heavy objects on top of the sneeze guard.
3. Fully Disassembled (fits in the tightest spaces).
  - Remove the uprights, posts, and sneeze guard (refer to the assembly instructions for component removal).
  - Place all removed components in a safe area.
  - Do not place heavy objects on the sneeze guard.

## Section III - Safety Information

### To help protect your Versa Tabletop Food Bar and reduce the risk of injuries:

1. Do not use any type of canned/portable cooking fuel inside the Tabletop Food Bar.
2. Do not place any item hotter than 190 °F inside or on the Tabletop Food Bar.
3. Do not place the Tabletop Food Bar against any direct heat source such as a hot oven or grill.
4. Do not use sneeze guards or uprights to maneuver unit.
5. Transporting the Food Bar requires a minimum of two people.
6. When lifting or moving the unit, always grip the outer edges of the Food Bar.
7. Do not lift or pull by the upright or left/right end guards. Applying excessive force to these components can damage the part.
8. The maximum weight limit of each food pan compartment is 40 lbs.
9. The maximum weight limit of the 4 ft unit is 120 lbs.
10. The maximum weight limit of the 5 ft unit is 160 lbs.
11. The maximum weight limit of the 6 ft unit is 200 lbs.

## Section IV – Cleaning and Maintenance

### Clear Sneeze Guards:

Clean with a mild, non-abrasive detergent and warm water. Clean then wipe dry with a soft cloth or soft paper towel.

**WARNING:** Do not use window cleaner, ammonia based cleaners, kitchen scouring compounds, cleaning solvents such as acetone, bleach, benzene, carbon tetrachloride or thinners. These chemicals will damage the sneeze guards.

### Food Bar Base and Uprights:

Clean using a mild detergent soap, clean and warm water, or steam clean. A plastic bristle brush can be used as well; rinse thoroughly with clean water.

**WARNING:** Never use a metal brush or abrasive cleaners or pads. These tools will damage the Versa Food Bar. If staining occurs, use any standard de-stainer.

### Drain Valve:

Scrub with a brush and hot soapy water. Rinse thoroughly with clean water.

**WARNING:** Never use a metal brush or abrasive cleaners. These tools will damage the drain valve.

## Section V – Warranty

### CAMBRO WARRANTY AND PRODUCT LIABILITY

Cambro warrants to the original buyer that if a product proves defective:

1. Within 1 year from the date of manufacture, Cambro will replace the product free of charge; or,
2. After 1 year and up to 2 years from the date of manufacture, Cambro will grant a credit of 2/3 off replacement product; or,
3. After 2 years and up to 3 years from the date of manufacture, Cambro will grant a credit of 1/3 of the original price towards a replacement product.

### ABUSE OR MISUSE WILL VOID THIS WARRANTY

In the event of a defective product, your Cambro Sales Representative will collect appropriate information, such as date of manufacture and invoice information for warranty process. With proof of purchase to the original owner, Cambro Manufacturing will replace the product to the original owner.

**NOTE:** Your Cambro Sales Representative will determine if the product should be returned for inspection before issuing credit.

## Section VI – Replacement Parts

Please visit [www.cambro.com](http://www.cambro.com) for a complete list of replacement parts or contact your local Cambro Representative or Distributor.

# CAMBRO®

[www.cambro.com](http://www.cambro.com)

Telephone: (714) 848-1555 Toll Free: (800) 854-7631 Customer Service: (800) 833-3003  
© Cambro Manufacturing Company 5801 Skylab Road, Huntington Beach, CA 92647  
UMTTFB Printed in U.S.A. 10/25

© Copyright Cambro Manufacturing Company. Printed in the U.S.A.