

Open Base Work Table

Assembly Instructions

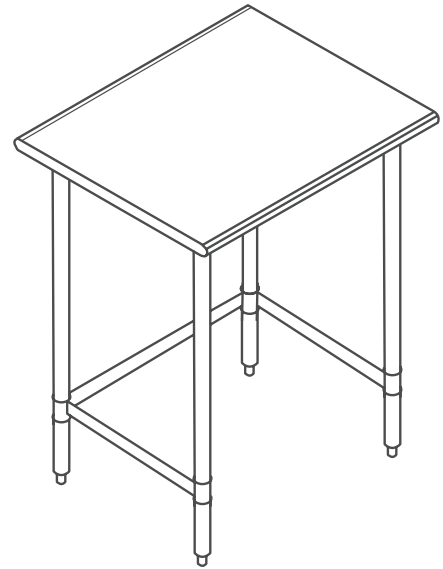
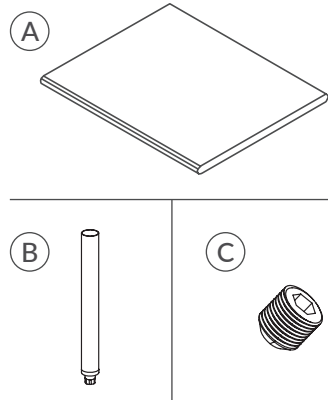
TOOLS REQUIRED

Allen wrench (included)

4 Leg Table

PARTS:

- (A) (1) Stainless Steel Top
- (B) (4) Legs
- (C) (8) Tightening Screws



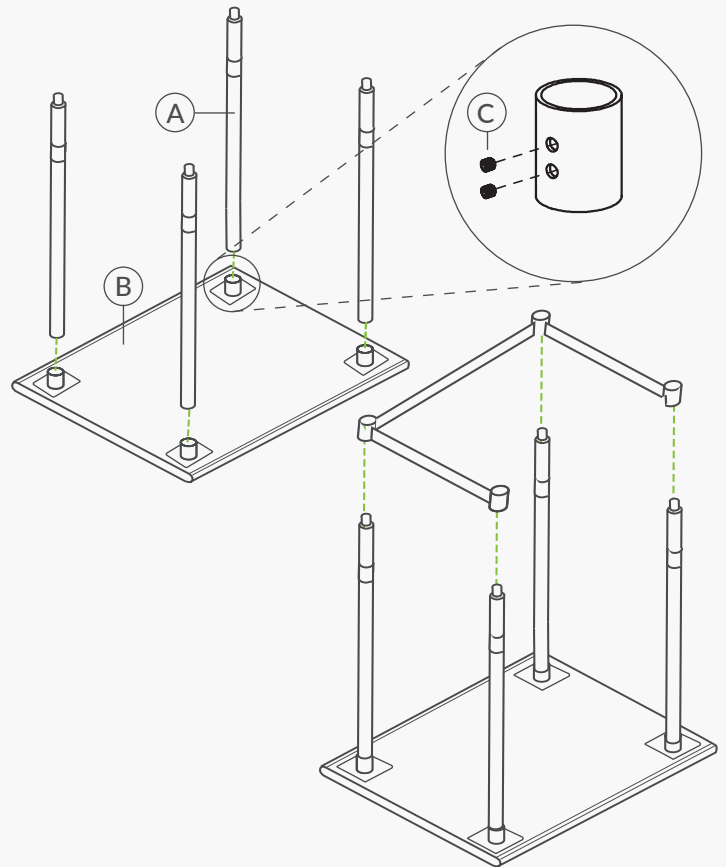
6 Leg Table

PARTS:

- (A) (1) Stainless Steel Top
- (B) (6) Legs
- (C) (16) Tightening Screws

Assembly Instructions

1. Make sure the assembly area is clean and on a flat secure surface. Carefully remove all the contents within the box. Place the tabletop face down on a rug, carton, or other protected surface.
2. Insert the legs into the tabletop gussets. You may need to loosen the set screw if one struggles to go in.
3. Partially tighten the set screws (fully tightening will come later).
4. On each of the legs, mark the height where you'll be installing the braces. It should be at least 6" off the ground for food safety.
5. Once marked, slide the cross braces onto the legs and fully tighten all set screws.
6. Adjust the feet as needed to meet the height requirements or to compensate for uneven flooring.
7. With assistance, turn the table over and remove any protective film. The table is now ready to be used.



WARNING! Risk of personal injury. Stainless steel edges are sharp and can cause cuts. Wear gloves during installation and handle with care.