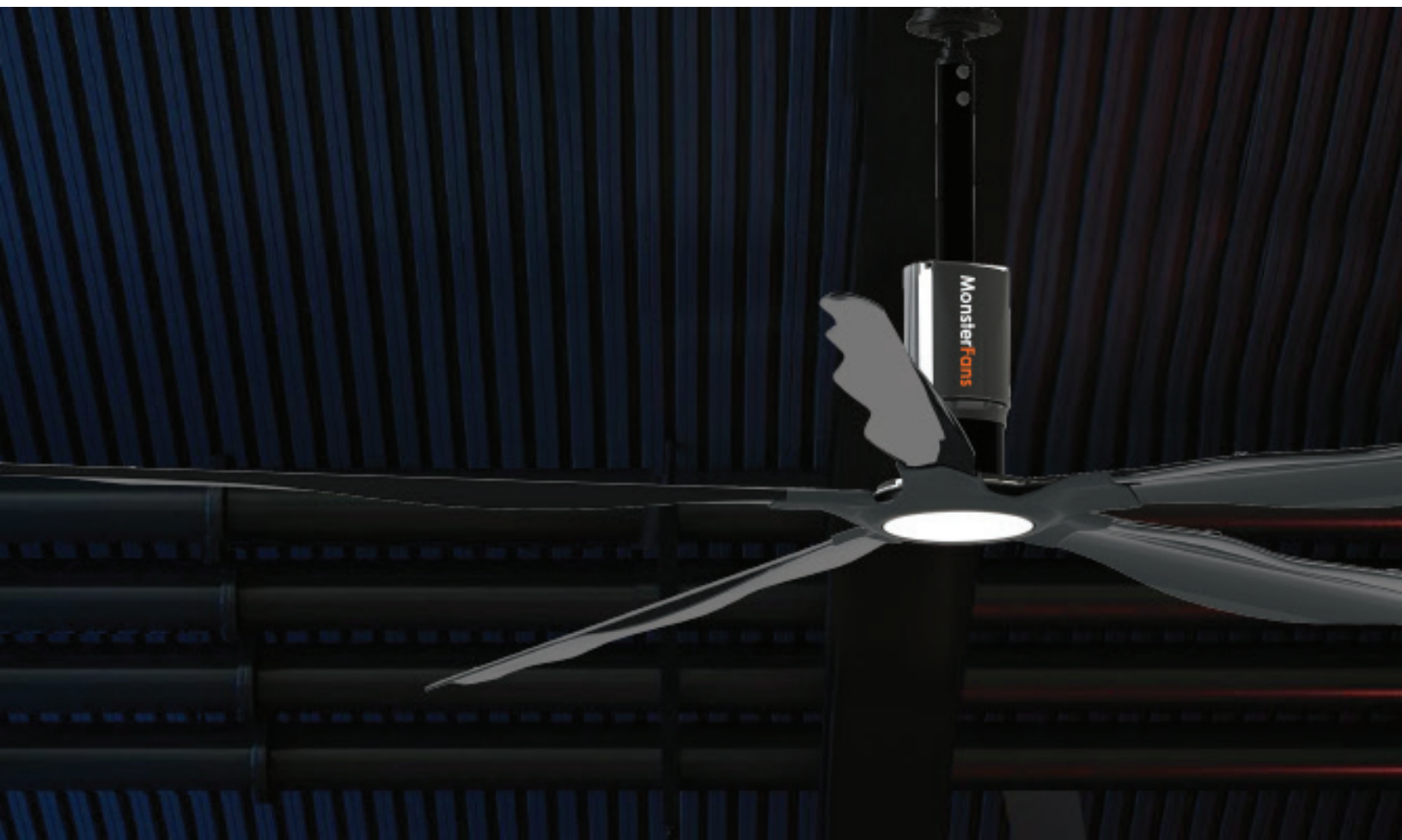




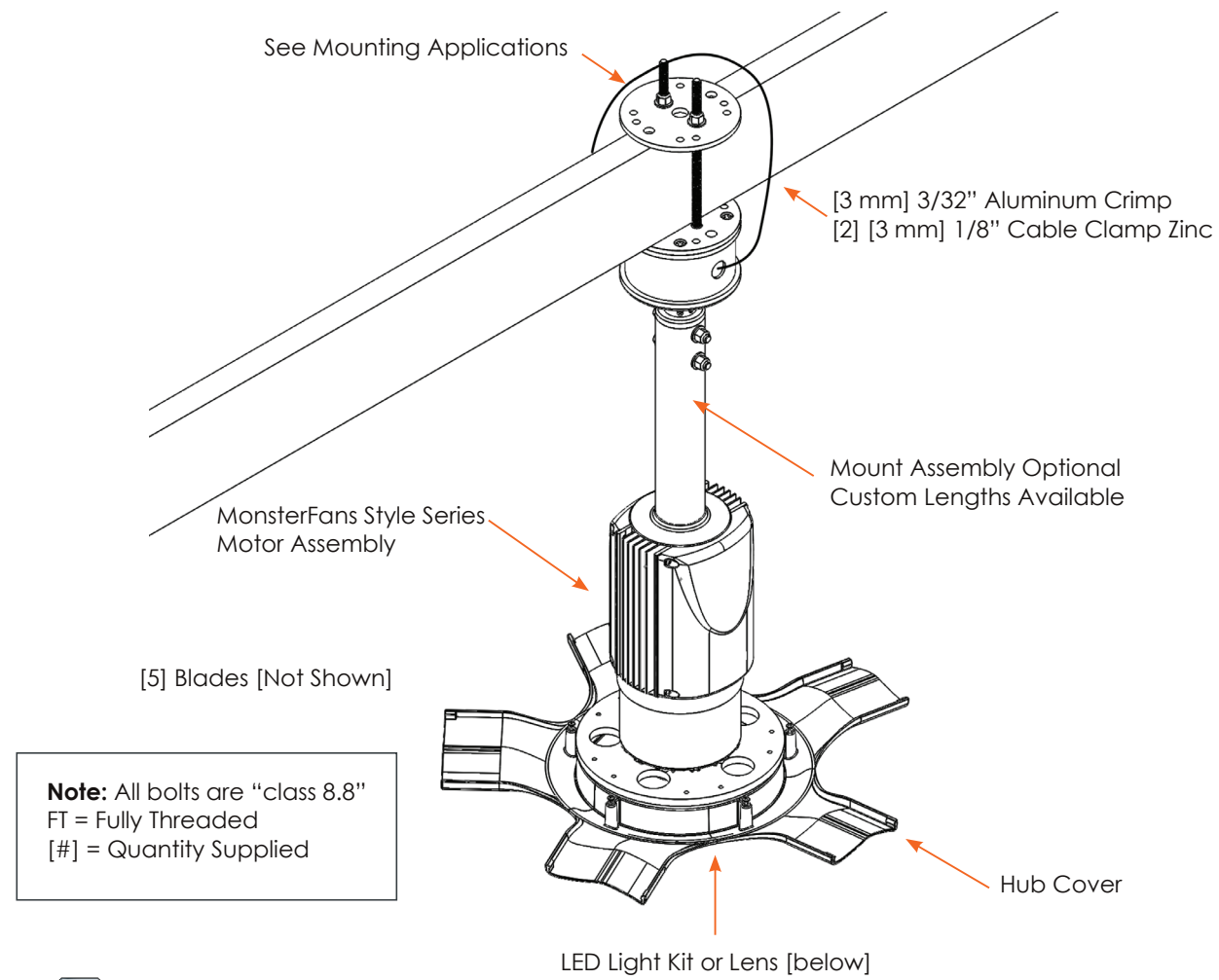
MonsterFans Style Series

Submittal

Gearless Direct-Drive HVLS Fan



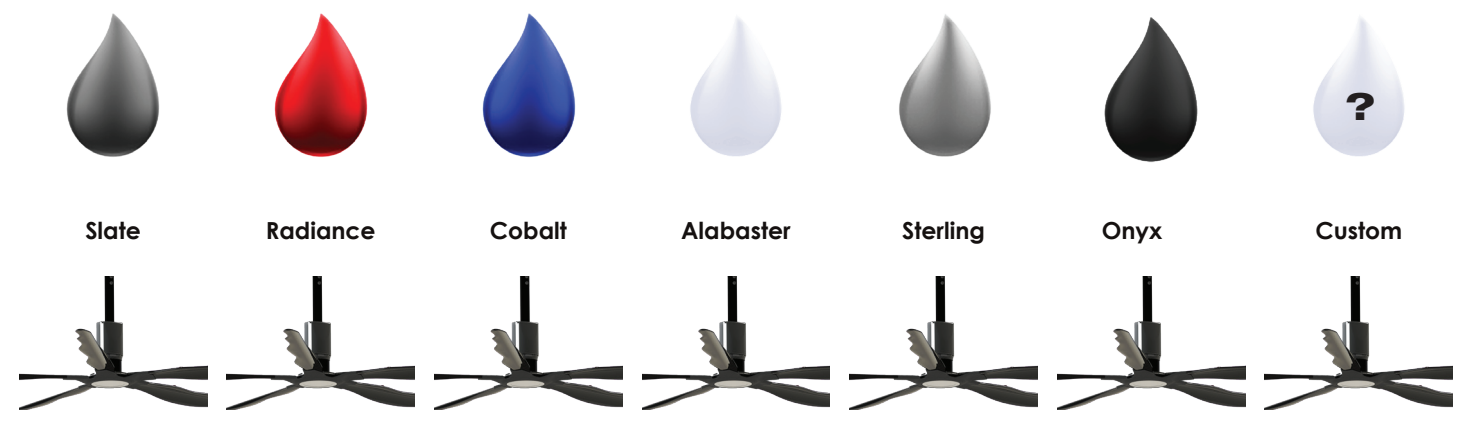
MonsterFan Style Series Fan Components Diagram



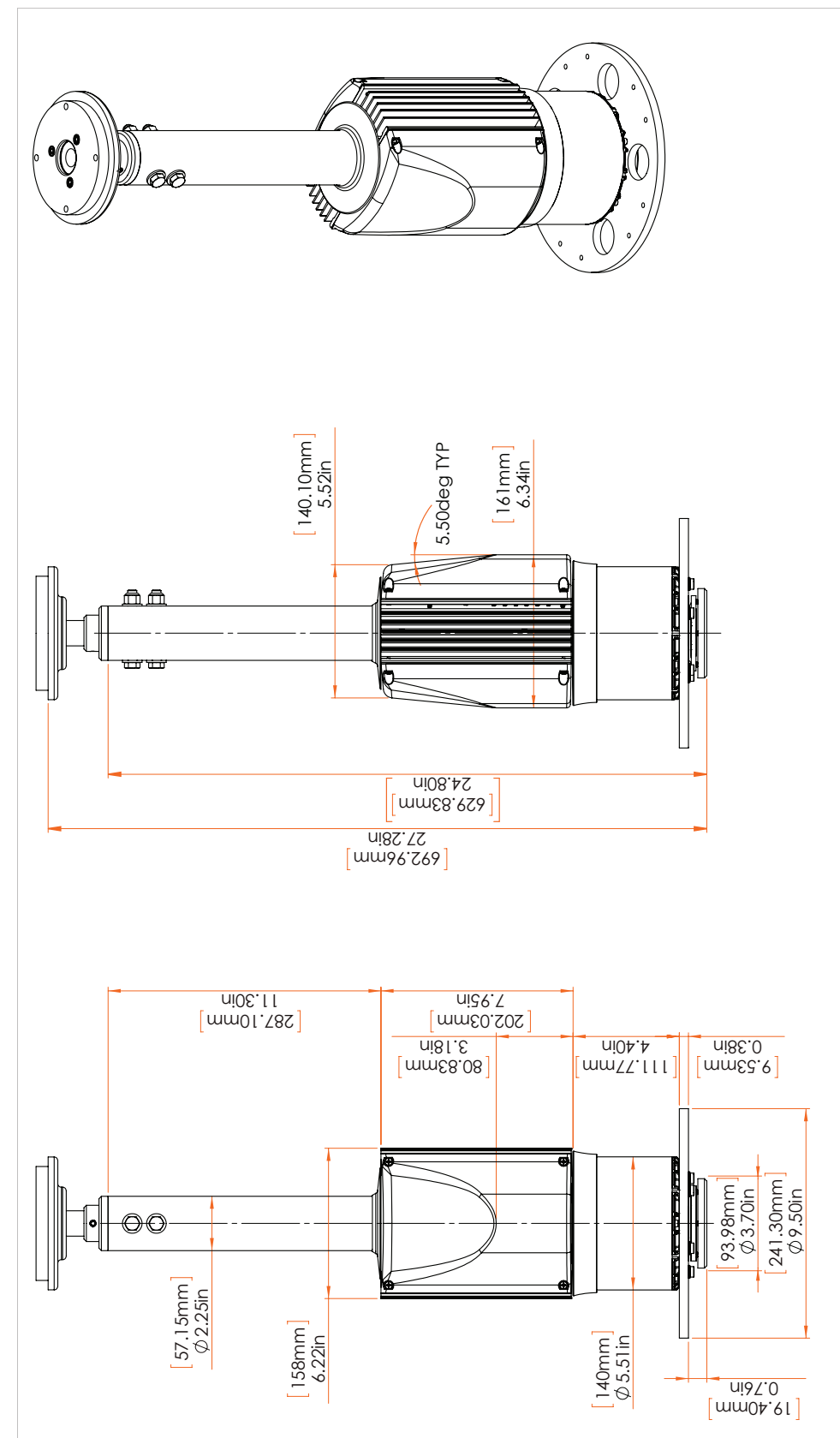
Note: All bolts are "class 8.8"
 FT = Fully Threaded
 [#] = Quantity Supplied



Standard Color



MonsterFans Style Series Fan Drop & Motor Assembly



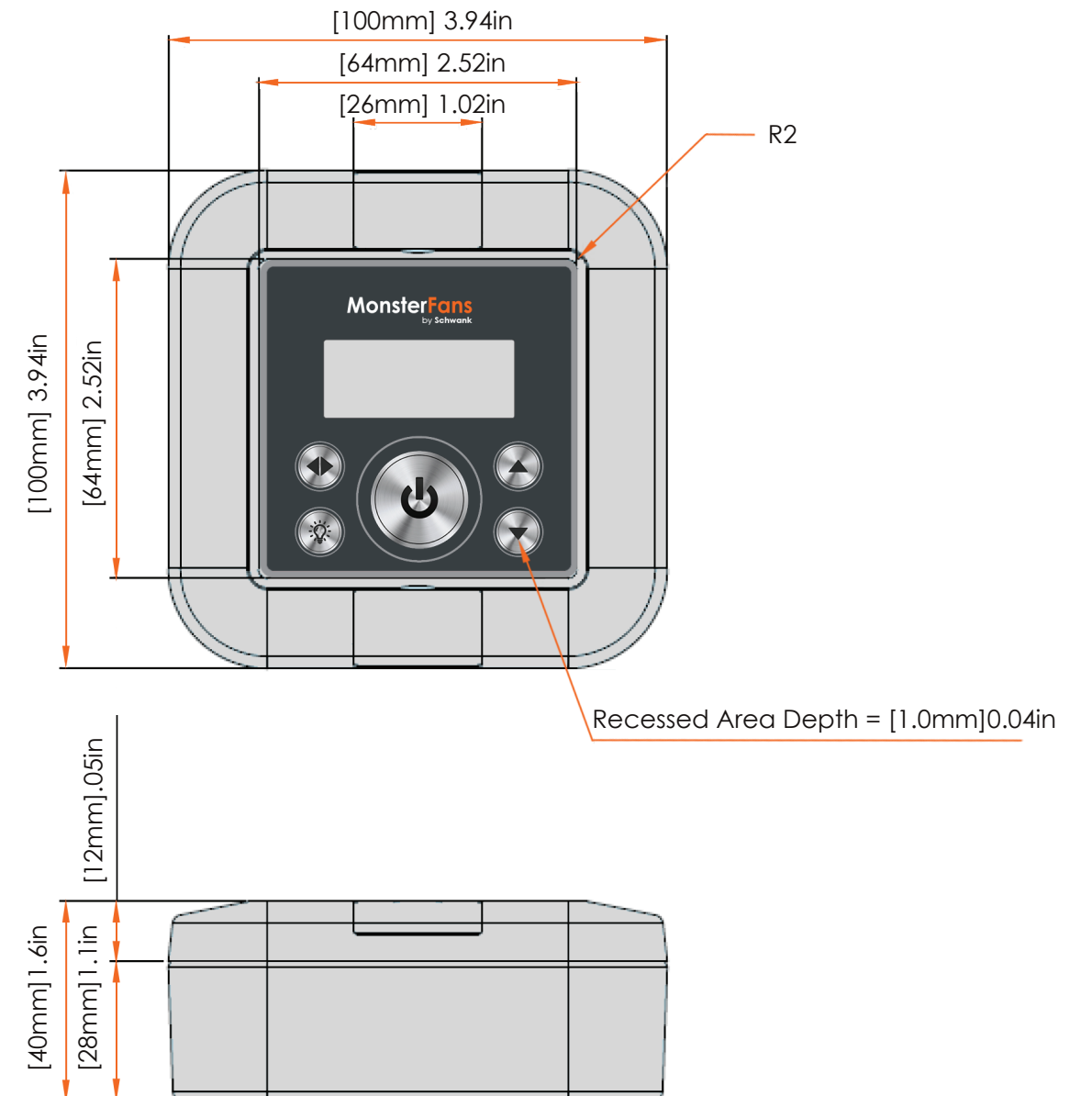
DRAWN: RWAKES Last Revision Date:		Drawing Date: 09/27/2016	
ENG APPR:		Checked By:	
UNLESS OTHERWISE SPECIFIED: DIMENSIONS ARE IN MILLIMETERS DIMENSIONS IN PARENTHESES ARE IN INCHES FINISH: MILL		MFG APPR: Last Saved Date: November 21, 2016 10:26:45 AM	
COMMENTS:		Schwank	
REVISIONS: 1-Add part 2 with overall dimensions 2-Add mount assembly to assembly		TITLE: MonsterFans Style Series Fan Motor Assembly	
MATERIAL AS SPECIFIED		SIZE DWG. NO. REV	
FINISH: As Specified		A	
DO NOT SCALE DRAWING THE INFORMATION CONTAINED IN THIS DRAWING IS THE SOLE PROPERTY OF SCHWANK AND SHOULD NOT BE REPRODUCED OR TRANSMITTED IN ANY FORM OR BY ANY MEANS, WITHOUT THE WRITTEN PERMISSION OF SCHWANK & FABRICATED. ANY DISCREPANCIES WITH THIS CONSTRUCTION SHALL BE THE RESPONSIBILITY OF THE USER. SCHWANK & FABRICATED SHALL NOT BE HELD RESPONSIBLE FOR ANY DAMAGE TO PROPERTY OR PERSONS ARISING FROM THE USE OF THIS DRAWING.		SCALE: 1:1 WEIGHT: 29 lbs SHEET 2 OF 2	

1
2
3
4
5

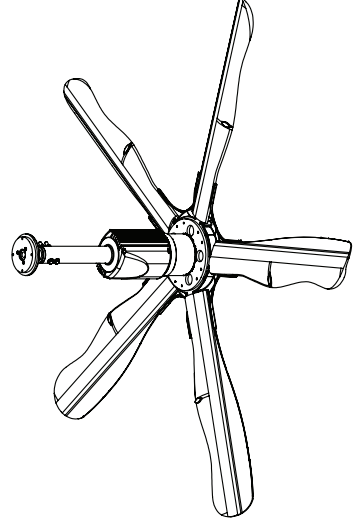
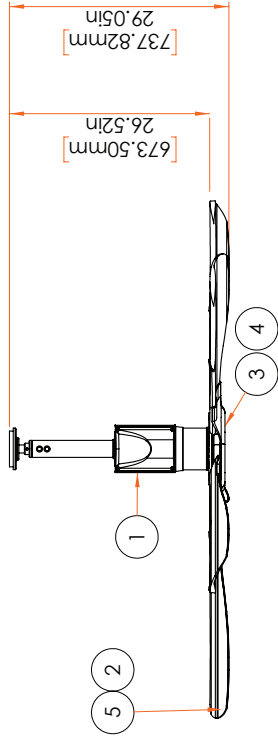
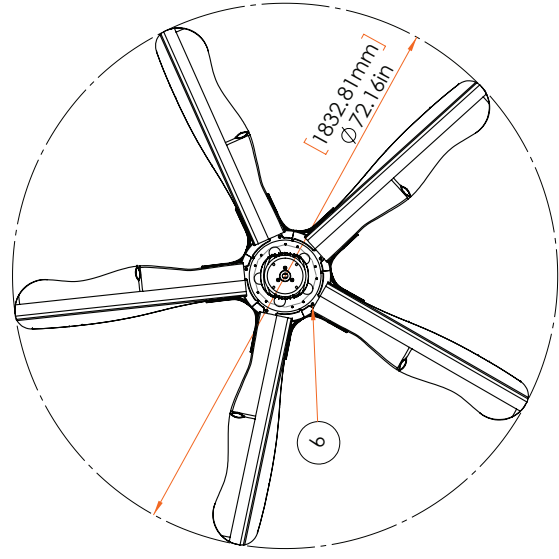
MonsterFans Style Series Fan Specifications

MODEL	7 ft [2.1 m]	8 ft [2.4 m]	9 ft [2.7 m]	10 ft [3 m]
Model #	MF-ST07-GY	MF-ST08-GY	MF-ST09-GY	MF-ST10-GY
Input power	104 - 277 V [50 / 60 Hz]			
Diameter	7 ft [2.1 m]	8 ft [2.4 m]	9 ft [2.7 m]	10 ft [3 m]
Weight	70 lbs [31.8 kgs]	75 lbs [34.0 kgs]	80 lbs [36.3 kgs]	85 lbs [38.5 kgs]
Airflow	27,000 CFM	35,000 CFM	39,000 CFM	45,000 CFM
Max. affected area	1,850 sq ft [172 m ²]	2,100 sq ft [195 m ²]	2,500 sq ft [232 m ²]	2,800 sq ft [260 m ²]
Power usage	264 W [2.2 amps at 120 V]			
Max. rotational speed	0 – 120 RPM			
Torque	52 lbs			
Noise level	39 dBA			
Motor	Transverse Flux Brushless DC Motor			
Motor efficiency	92%			
Motor housing	AISI 383 Aluminum Alloy			
Insulation class	B			
IP rating	54			
Max. ceiling slope	18.5°			
Blades	5 Injection Molded Fiber Filled Polypropylene blades			
Blade mount plates	Zinc Coated Steel			
Mounting	Versatile universal mounting system and hardware included with fan			
Safety cables	3/32" Stainless Steel Cable			
Control	Includes standard keypad, LCD screen and cable included Speed Up/Slow Down, Forward/Reverse, On/Off			
Warranty	3-year Limited Warranty			
Standard color finish	Slate, Radiance, Cobalt, Alabaster, Sterling, Onyx			
Certification	UL Standard, CSA Standard & CE			
Options	Optional mounting extension kits			

MonsterFans Style Series Fan Control Assembly



8 ft [2.4 m] MonsterFans Style Series Fan Spec Drawing



8

Item #	DESCRIPTION	QTY.
1	MonsterFans Style Series Fan Motor Assembly	1
2	MonsterFans Style Series Fan Black PP Blade	5
3	MonsterFans Style Series Fan Hub Cover-Black	1
4	MonsterFans Style Series Fan LED-Light-Kit	1
5	1/4" X 5/8" LG-Serrated Flanged Hex Head Cap Screw	20
6	#8-32 X 1 3/8" Pan Head Phillips Machine Screw	5

MATERIAL:	AS SPECIFIED	TOWNSHIP:	
FINISH:	AS SPECIFIED		
DO NOT SCALE DRAWING			
PROPRIETARY AND CONFIDENTIAL			
THE INFORMATION CONTAINED IN THIS DRAWING IS THE SOLE PROPERTY OF SCHWANK. IT IS TO BE USED FOR THE PROJECT AND SITE SPECIFICALLY IDENTIFIED HEREIN. WITHOUT THE WRITTEN PERMISSION OF SCHWANK, NO REPRODUCTION OR TRANSMISSION IN ANY FORM OR BY ANY MEANS, ELECTRONIC OR MECHANICAL, INCLUDING PHOTOCOPYING, RECORDING, OR BY ANY INFORMATION STORAGE AND RETRIEVAL SYSTEM, IS PERMITTED. SCHWANK SHOULD BE CONTACTED IMMEDIATELY FOR RESPONSE.			
COMMENTS:	ALL COMPONENTS APPLY FOR FAN ASSEMBLY MF-ST08-GY TO MF-ST08-GY		
DRAWN: B.MARKS	DATE: 10/26/2014	CHECKED BY:	Schwank
LAST REVISION DATE:		CHECKED DATE:	
ENG APPR: DUBI		MFG APPR:	
ENG APPR:		LAST SIZE/ISSUE DATE:	January 17, 2018 (P.045) AM
UNLESS OTHERWISE SPECIFIED:	Q.A.		
UNLESS OTHERWISE SPECIFIED:	W/STANDARD FINISH UNLESS OTHERWISE SPECIFIED		
UNLESS OTHERWISE SPECIFIED:	FRACTIONAL 1/16" +.0015" (3mm)		
UNLESS OTHERWISE SPECIFIED:	TWO PLACE DECIMAL ±.0050" (0.12mm)		
UNLESS OTHERWISE SPECIFIED:	THREE PLACE DECIMAL ±.0080" (0.20mm)		
TITLE:	MonsterFans Style Series Fan Assembly w/Light		
SIZE:	DWG. NO.	REV.	
B	MF-ST08-GY	1	
SCALE: 1/2" = 1'-0"		WEIGHT: 69 lbs	SHEET 1 OF 1

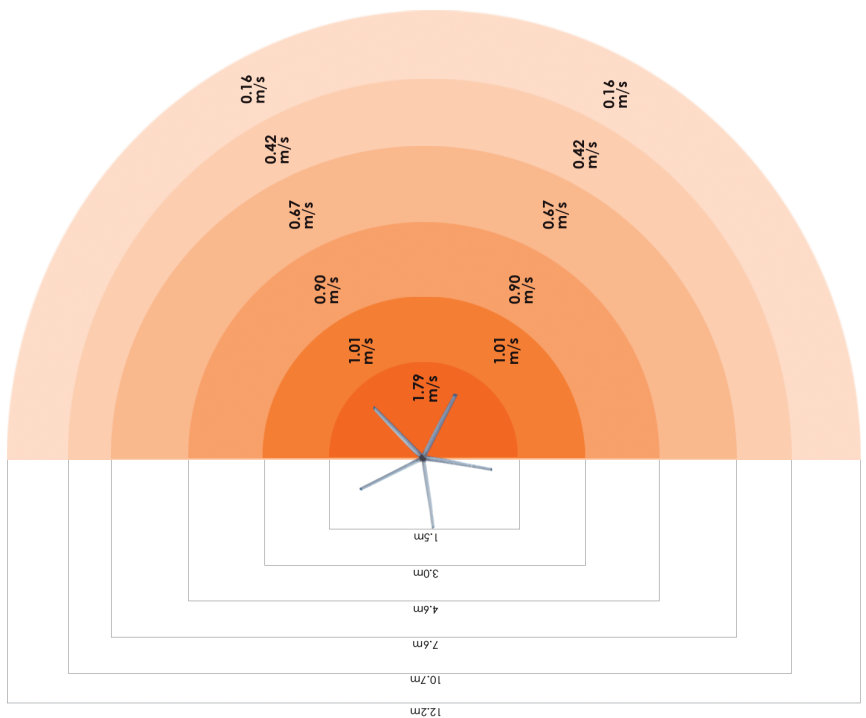
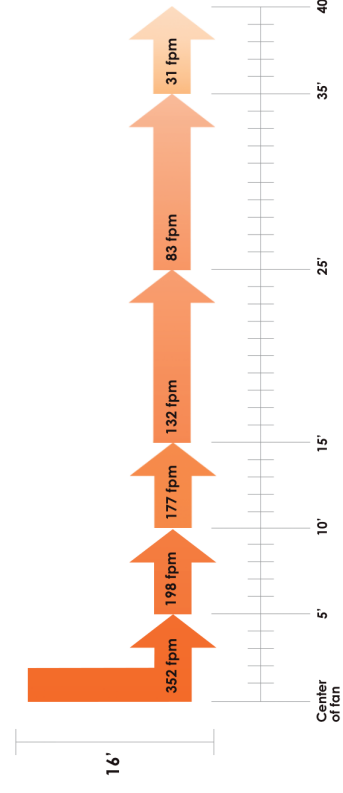
9



Velocity Map 8' [2.4m] diameter

Performance

Airflow: 35,000 CFM
 Variable Speed: 0 - 120 RPM
 Power Usage: 264 [2.2 AMPS AT 120 V]
 Maximum Effective Diameter: 2,100 SQ FT [195 M²]



Conditions:

Test results are based on a blade mounting height of 16' [4.9m] from the floor. Results were measured 1' [0.3m] off the floor. Average air speeds were utilized as actual air velocity from fan is gusting. Results will vary depending on testing conditions.

9

9 ft [2.7 m] MonsterFans Style Series Fan Spec Drawing

ITEM NO. DESCRIPTION QTY.

1	MonsterFans Style Series Fan	1
2	MonsterFans Style Series Fan Black PP Blade	5
3	MonsterFans Style Series Fan Hub Cover-Black	1
4	MonsterFans Style Series Fan LED-Light-Kit	1
5	1/4" X 5/8" LG-Serrated Flanged Hex Head Cap Screw	20
6	#8-32 X 1.5/8" Pan Head Phillips Machine Screw	5

Comments: ALL DIMENSIONS APPLY FOR FAN ASSEMBLY MF-ST09-GY TO MF-ST09-GY

Dimensions:
 [673.50mm] [26.52in]
 [737.82mm] [29.05in]
 [2443.08mm] [Ø 96.18in]

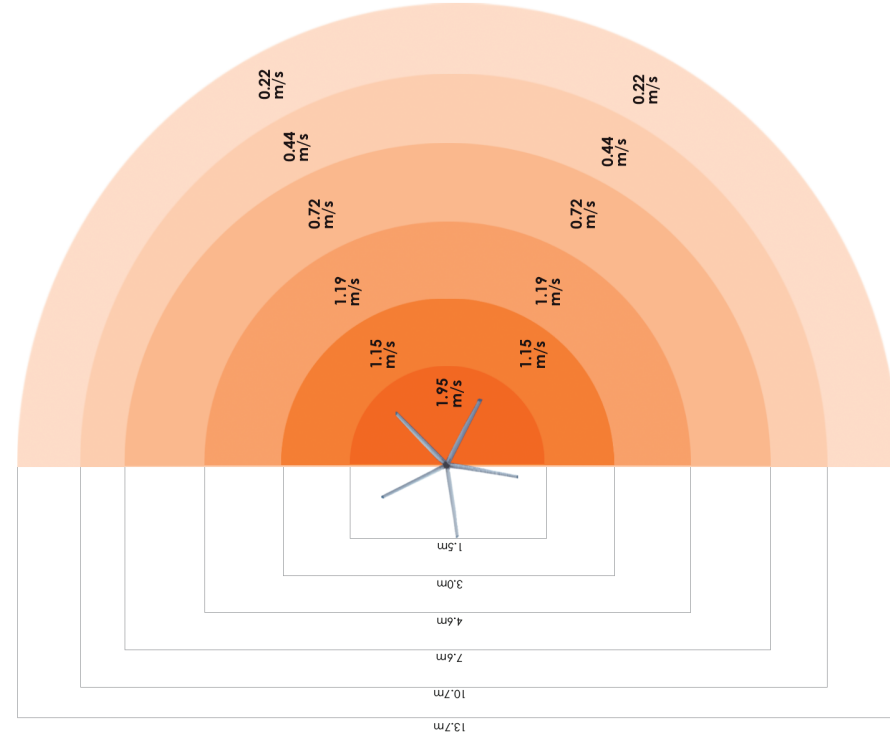
Material: AS SPECIFIED
Finish: AS SPECIFIED
Balance: AS SPECIFIED
DO NOT SCALE DRAWING

PROPRIETARY AND CONFIDENTIAL
 THE INFORMATION CONTAINED IN THIS DRAWING IS THE SOLE PROPERTY OF SCHWANK. ANY REPRODUCTION IN ANY MANNER WITHOUT THE WRITTEN PERMISSION OF SCHWANK IS STRICTLY PROHIBITED. SCHWANK SHOULD BE CONTACTED IMMEDIATELY FOR RESPONSE.

Revision History:

REV	DATE	DESCRIPTION
1	January 17, 2018 9:52:22 AM	Initial Release

Manufacturer: Schwank
Title: MonsterFans Style Series Fan Assembly w/Light
Size: B MF-ST09-GY
Scale: 1:2 WEIGHT: 69 lbs
Sheet: 1 OF 1

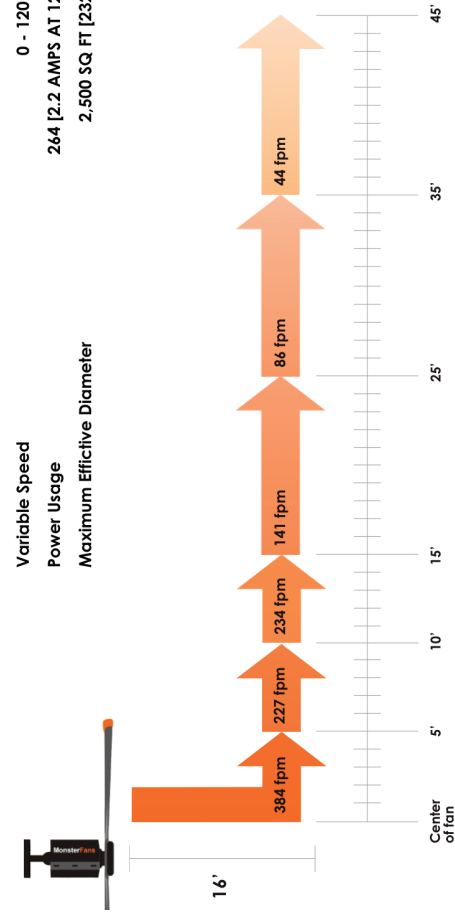


Velocity Map 9' [2.7m] diameter



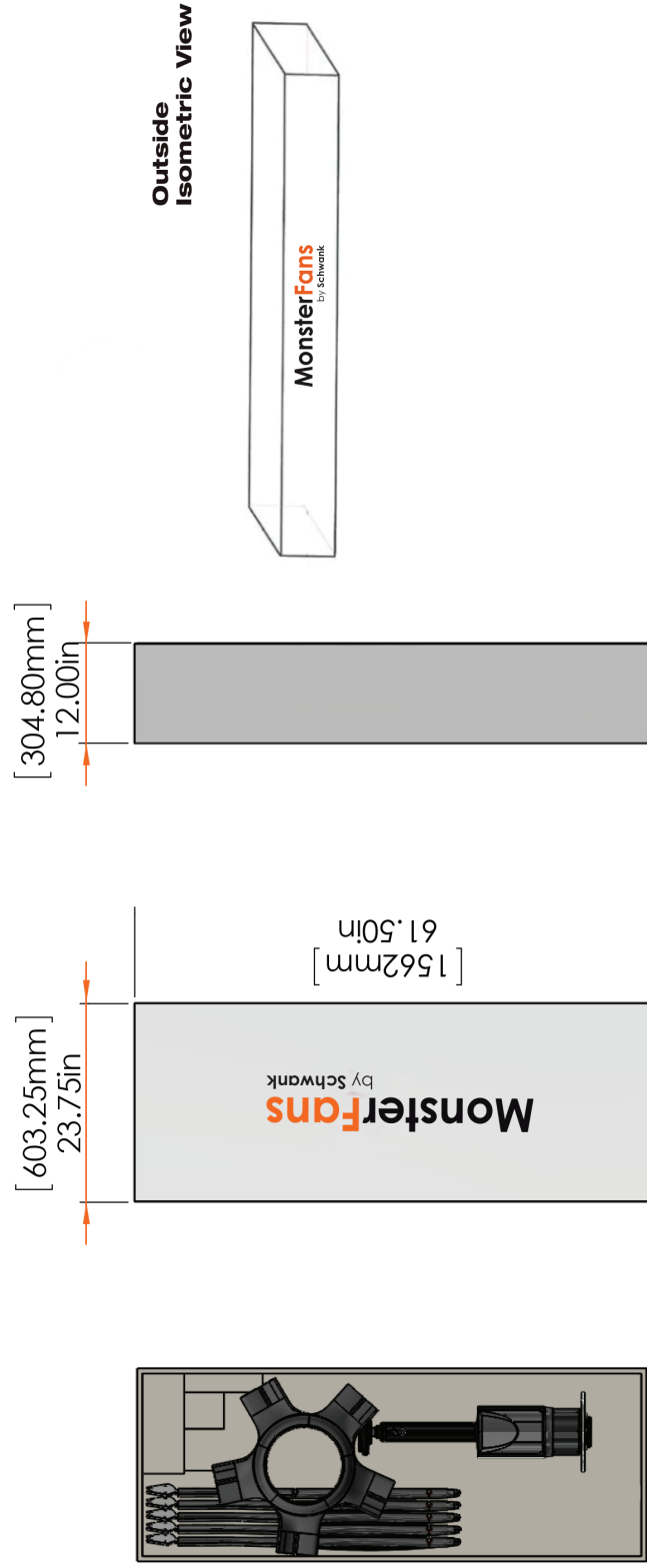
Performance

- Airflow: 39,000 CFM
- Variable Speed: 0 - 120 RPM
- Power Usage: 264 [2.2 AMPS AT 120 V]
- Maximum Effective Diameter: 2,500 SQ FT [232 M²]



Conditions:
 Test results are based on a blade mounting height of 16' [4.9m] from the floor. Results were measured 1' [0.3m] off the floor. Average air speeds were utilized as actual air velocity from fan is gusting. Results will vary depending on testing conditions.

MonsterFans Style Series Fan Packaging Details



Inside Top View Packaged Fan

Outside Top View

Outside Side View

Outside Isometric View



MATERIAL AS SPECIFIED	COMMENTS:	DRAWN	B.MARKS	Drawing Date:	Schwank	
FINISH	Notes: Contractor is responsible for verifying all site conditions to include field dimensions where applicable. If the contractor elects to make any changes without notifying the owner, all drawings are to be used as general architectural intent only unless otherwise stamped. See Engineering drawings for structural design information. Contractor to ensure that all building departments and authorities are informed in regard to the work and that all permits are obtained before commencing the work.	Checked By:		2016-11-09	TITLE:	
VENDORS NUMBER:		Last Revised Date:		January 13, 2017 1:15:42 PM	PACKAGING	
DO NOT SCALE DRAWING		UNLESS OTHERWISE SPECIFIED: DIMENSIONS ARE IN INCHES FRACTIONAL ± 1/16 * RND ± 0.5** TOLERANCES: ± 0.06(1.5mm) TWO PLACE DECIMAL ± 0.03(0.7mm) THREE PLACE DECIMAL		REVISIONS: 1-Reduce overall size of box for 2nd generation	SIZE DWG. NO.	REV
PROPRIETARY AND CONFIDENTIAL THE INFORMATION CONTAINED IN THIS DRAWING IS THE SOLE PROPERTY OF SCHWANK. ANY REPRODUCTION IN PART OR AS A WHOLE WITHOUT THE WRITTEN PERMISSION OF SCHWANK IS PROHIBITED. SHOULD THERE BE ANY DISCREPANCIES WITH THIS CONSTRUCTION DRAWING, SCHWANK SHOULD BE CONTACTED IMMEDIATELY FOR RESPONSE.					A	1
					SCALE: 1:20	WEIGHT: .
						SHEET 1 OF 1

1 2 3 4 5



1-877-446-3727 [toll-free]
1-706-554-6191

monsterfans@schwankgroup.com

USA

2 Schwank Way,
Waynesboro, GA
30830

Canada

5285 Bradco Blvd.,
Mississauga, ON
L4W 2A6

schwankgroup.com/monsterfans

