

MILLENNIUM CROSS, ROUND, & END BASE ASSEMBLY INSTRUCTIONS

PARTS

(A)



Base Plate 1PC

(B)



Serrated Flange Bolt 1PC

(C)



Column 1PC

(D)



Leveling Feet 4PCS

(E)



Tabletop Screws 8PCS

TOOLS

Tools not included:

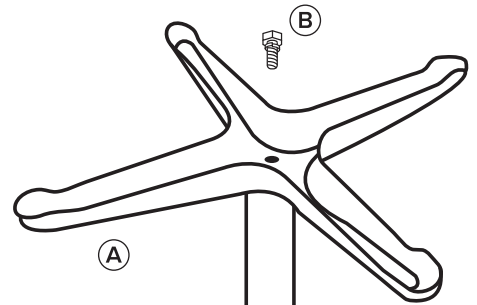
- Wrench
- Screwdriver
- Drill (optional)

STEP 1



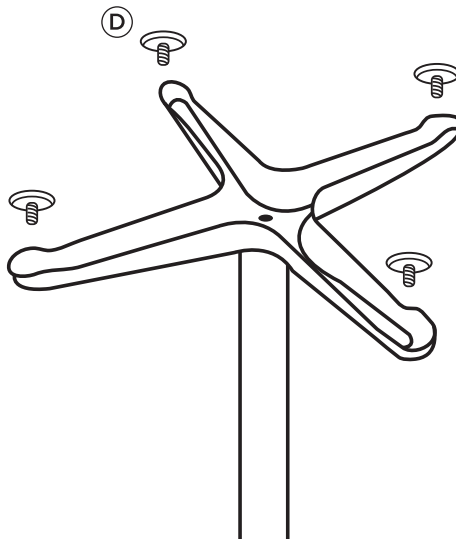
Flip the column and spider upside down with the spider resting on the ground. Remove the bolt from the bottom of the column.

STEP 2



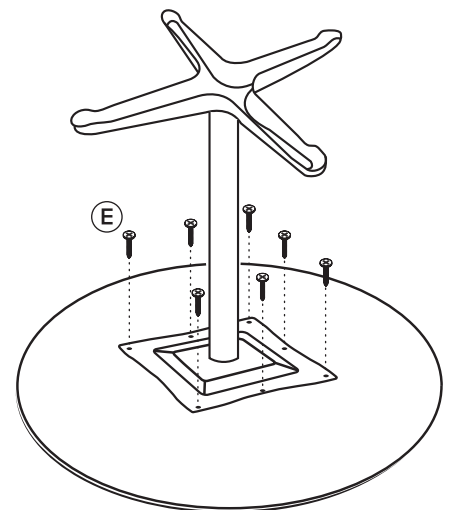
Place base plate upside down, on top of column. Secure with bolt

STEP 3



Screw in leveling feet to bottom of base plate.

STEP 4



Lay table top upside down on a flat surface. Place spider onto table top and center. Secure with 8 screws