



MILK STEAMERS / HOT WATER DISPENSERS

#236ECMSS6 • Semi-Automatic • 6L

#236ECMSA8D • Digital Automatic • 8L

INDEX

Diagram and Key for Motor Pump Assembly.....	3
Diagram and Key for Boiler Assembly 236ECMSS6.....	4
Diagram and Key for Boiler Hydraulic Circuit 236ECMSS6.....	5
Diagram and Key for Hot Water Boiler Assembly 236ECMSA8D.....	6
Diagram and Key for Boiler Hydraulic Circuit 236ECMSA8D.....	9
Diagram and Key for Water and Steam Assemblies 236ECMSS6.....	11
Diagram and Key for Water and Steam Assemblies 236ECMSA8D.....	13
Diagram and Key for Electrical System 236ECMSS6.....	15
Diagram and Key for Electrical System 236ECMSA8D.....	17
Diagram and Key for Miscellaneous items for 236ECMSS6, 236ECMSA8D.....	19

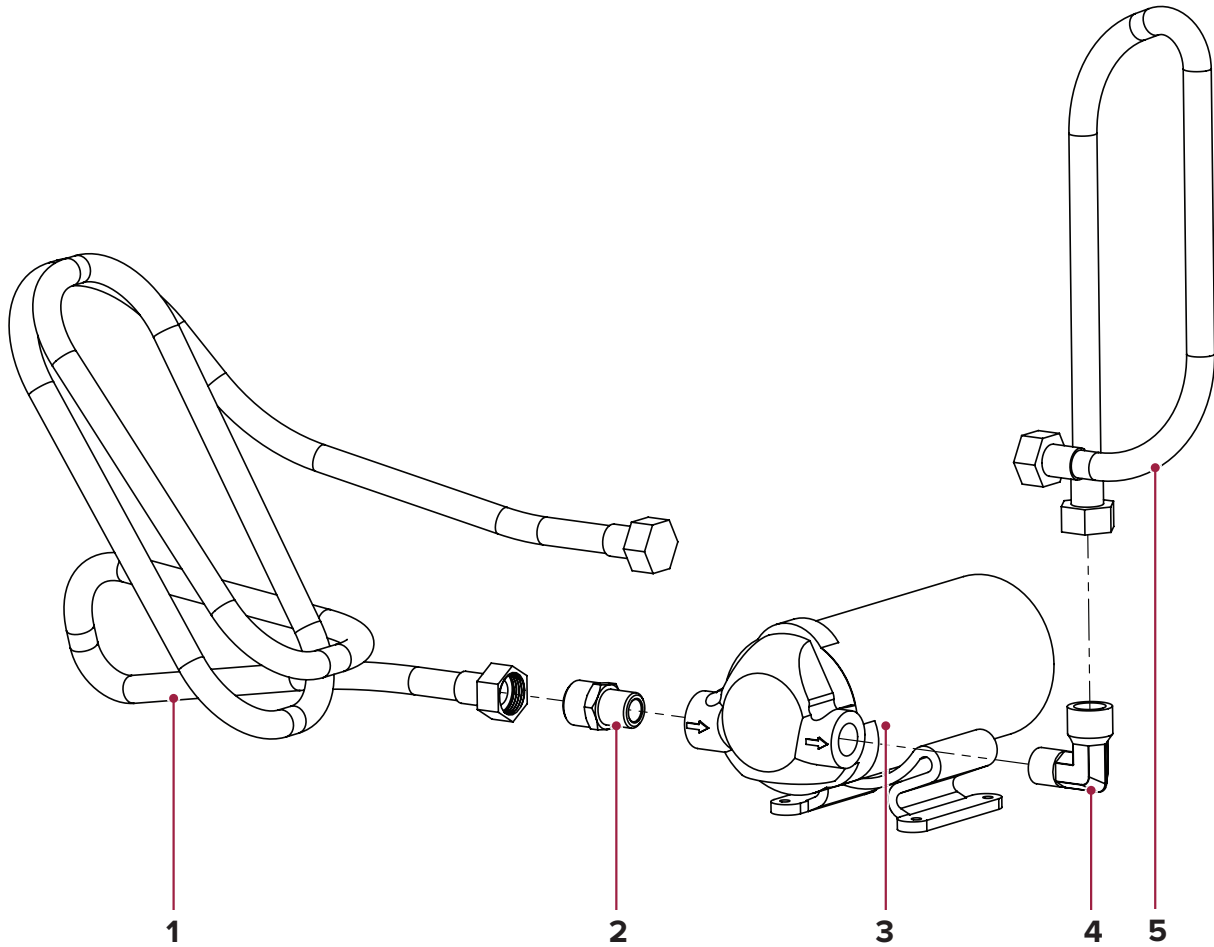


Intertek
3058215

CONFORMS TO UL STD. 197
CONFORMS TO NSF/ANSI 4

MOTOR PUMP ASSEMBLY

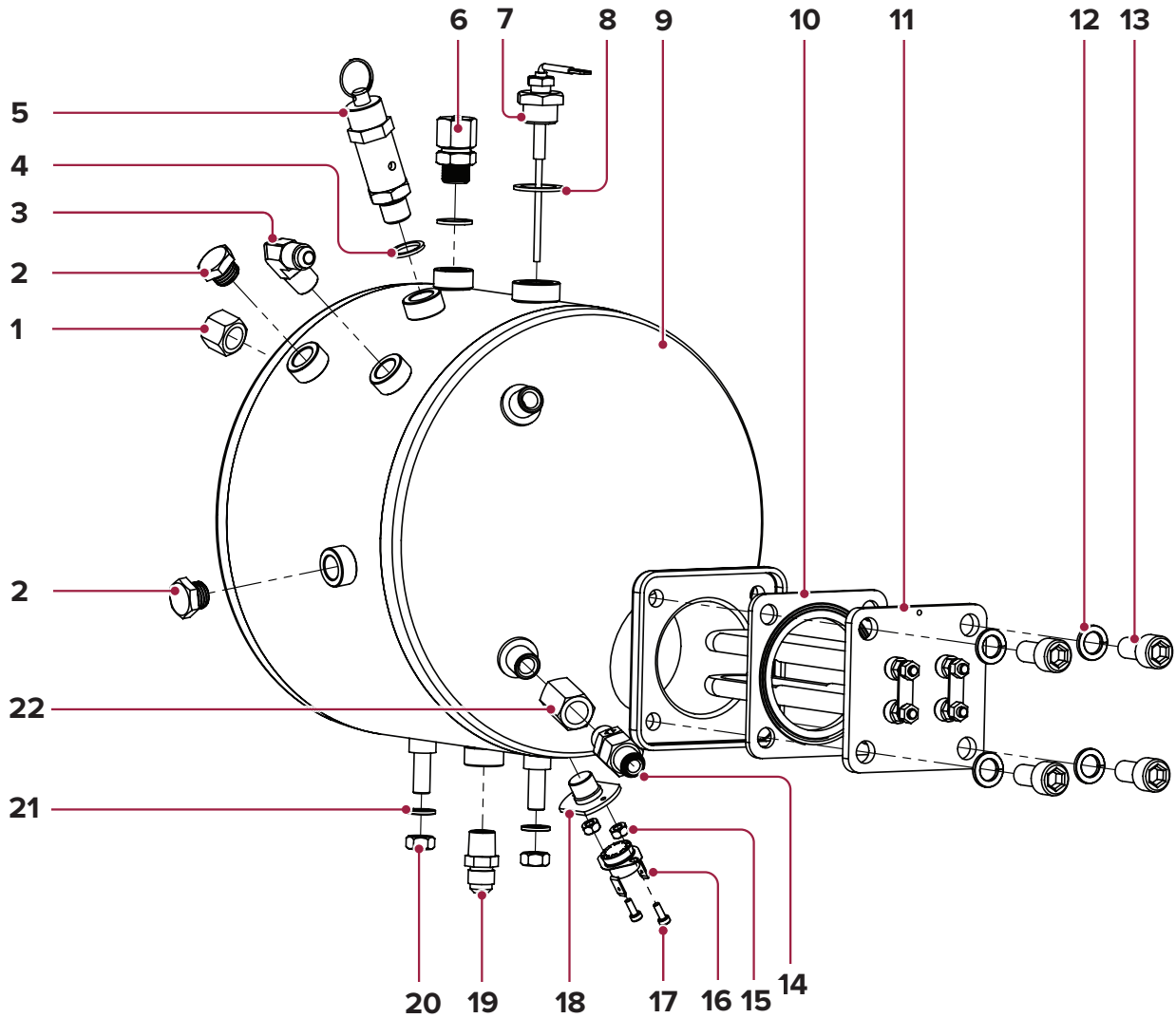
236ECMSS6, 236ECMSA8D



Key	Description	Item Number
1	METAL BRAIDED HIGH-PRESSURE HOSE (2400MM)	236PTPM63
2	REDUCING COPPER FITTING	—
3	DIAPHRAGM PUMP 110V (FOR 236ECMSS6) DIAPHRAGM PUMP 220V (FOR 236ECMSA8D)	236PMS12 236PMS11
4	MALE THREAD ELBOW 3/8" x 1/2"	—
5	METAL BRAIDED HIGH-PRESSURE HOSE (350MM)	236PTPM69

BOILER ASSEMBLY

236ECMSS6

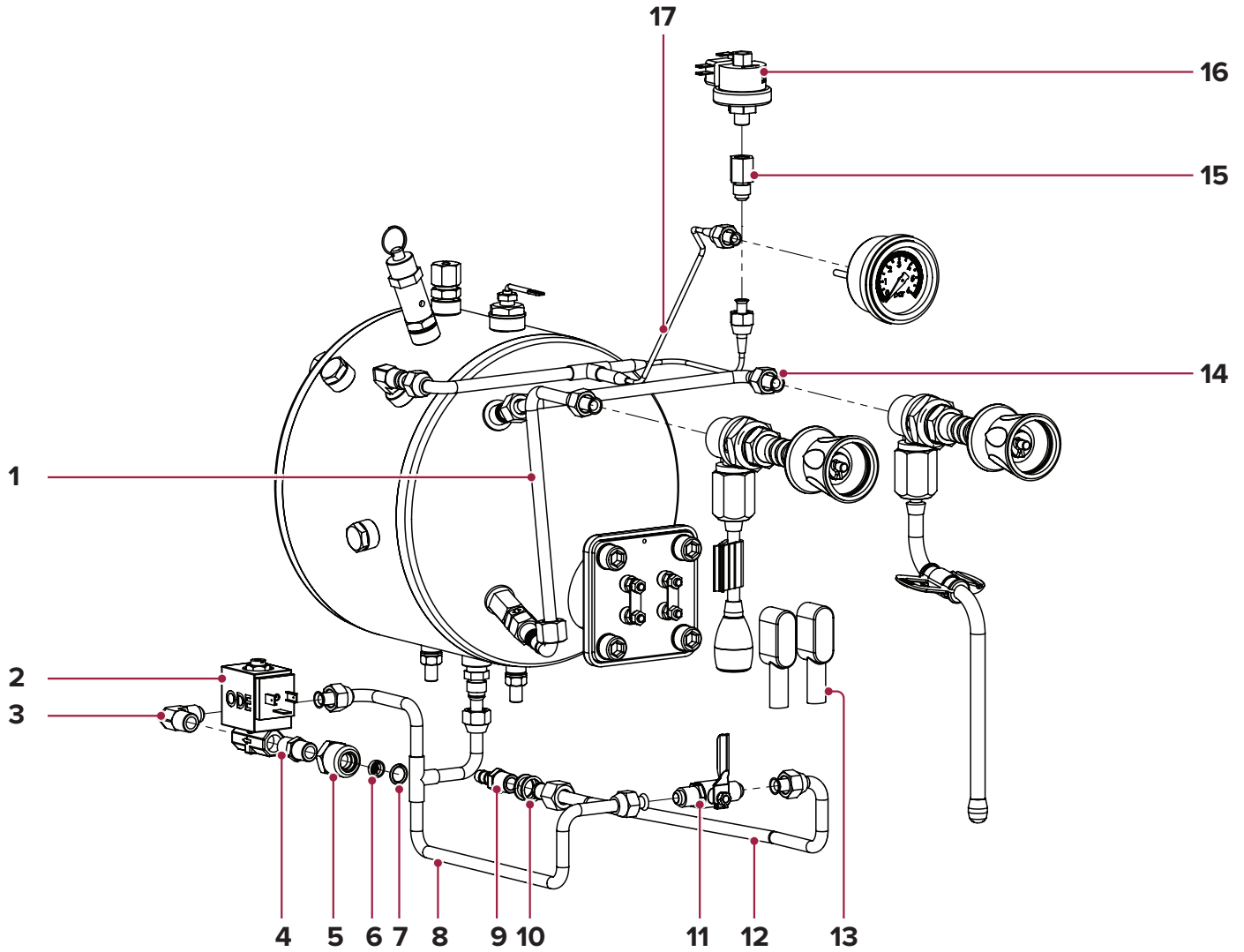


Key	Description	Item Number
1	1/4" PIPE STOPPER	236PTPM47
2	BRASS PLUG	236PECEM58
3	BRASS ELBOW CONNECTOR	236PTPM9
4	BRASS VALVE GASKET	236PTPM6
5	SAFETY VALVE	236PECEM57
6	ANTI-EDDY VALVE	236PECEM97
7	WATER LEVEL PROBE ASSEMBLY	236PMS16
8	BRASS VALVE GASKET	236PTPM5
9	6L BOILER	—
10	HEATING ELEMENT GASKET	236PECEM10
11	BOILER ELEMENT 1500W	236PECEM7

Key	Description	Item Number
12	M10 STAINLESS STEEL SPRING WASHER	—
13	HEX SOCKET SCREW M10*20	—
14	CHECK VALVE	—
15	HEX NUT M5*4	—
16	TEMPERATURE SWITCH 16A 248F	236PMS8
17	HEX SOCKET SCREW M3*8	—
18	TEMPERATURE SWITCH MOUNTING BRACKET	—
19	BRASS CONNECTOR 1/2"	236PECEM91
20	HEX NUT M8	—
21	M8 SPRING WASHER	236PMS10
22	DOUBLE FEMALE THREAD FITTING	—

BOILER HYDRAULIC CIRCUIT

236ECMSS6

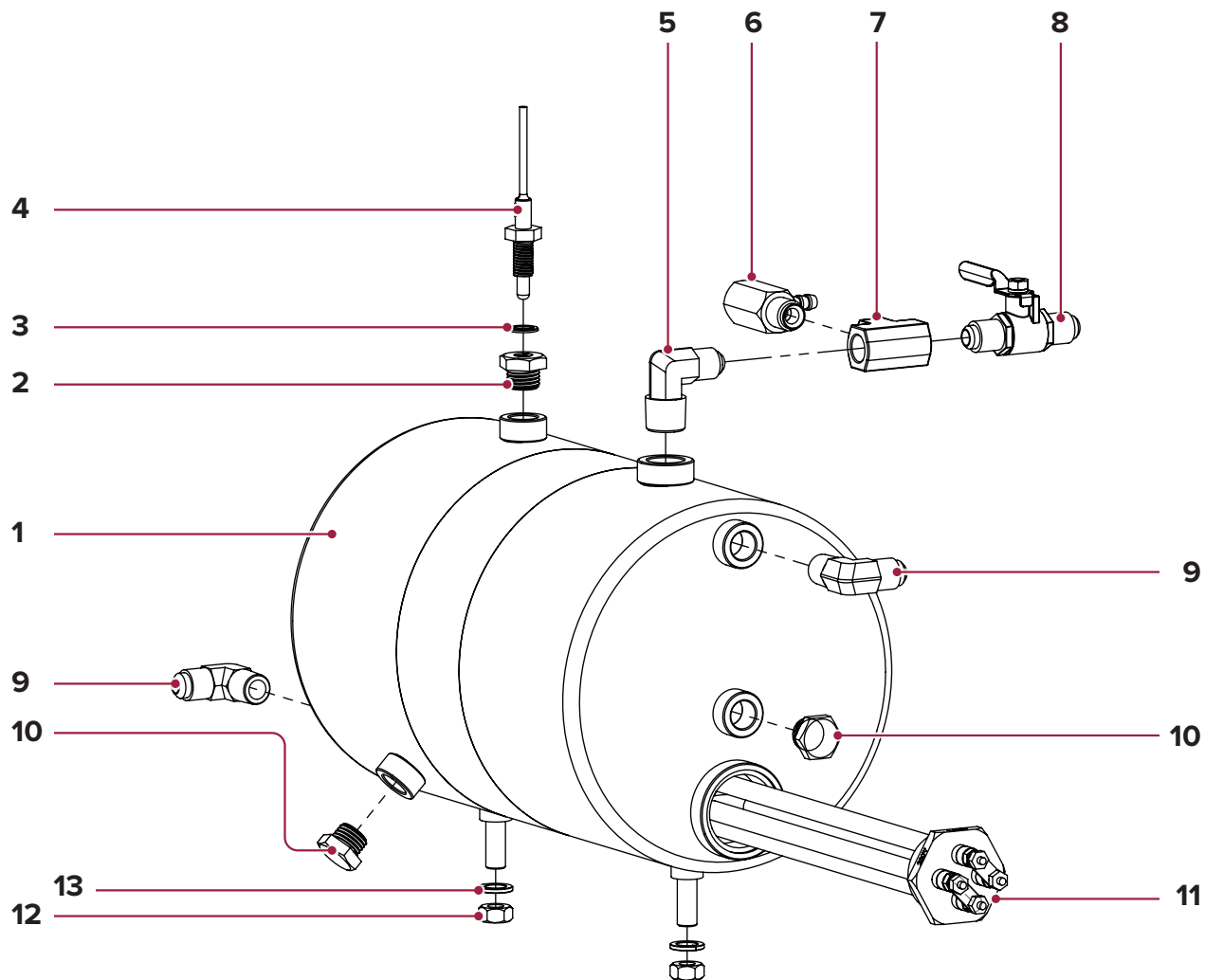


Key	Description	Item Number
1	HOT WATER OUTLET TUBE ASSEMBLY	—
2	BOILER SOLENOID VALVE	236PECEM12
3	ELBOW BRASS CONNECTOR 3/8"	236PTPM9
4	DOUBLE MALE THREAD FITTING	—
5	BRASS CONNECTOR	236PTPM28
6	SPHERICAL CONICAL FILTER	236PTPM29
7	O-RING	236PTPM30
8	BOILER INLET TUBE ASSEMBLY	—
9	TUBE THREADED INSERT FITTING 1/4" X 5/16"	—

Key	Description	Item Number
10	BRASS VALVE GASKET	236PTPM6
11	BULK PRESSURE RELEASE TAP	236PTPM16
12	PRESSURE RELIEF TUBE ASSEMBLY	—
13	HEATING ELEMENT INSULATION SLEEVE	—
14	STEAM OUTLET TUBE ASSEMBLY	—
15	PRESSURE GAUGE FITTING	—
16	PRESSURE SWITCH 1.0-2.5 BAR	236PMS5
17	STEAM PRESSURE GAUGE TUBE ASSEMBLY	—

HOT WATER BOILER ASSEMBLY

236ECMSA8D

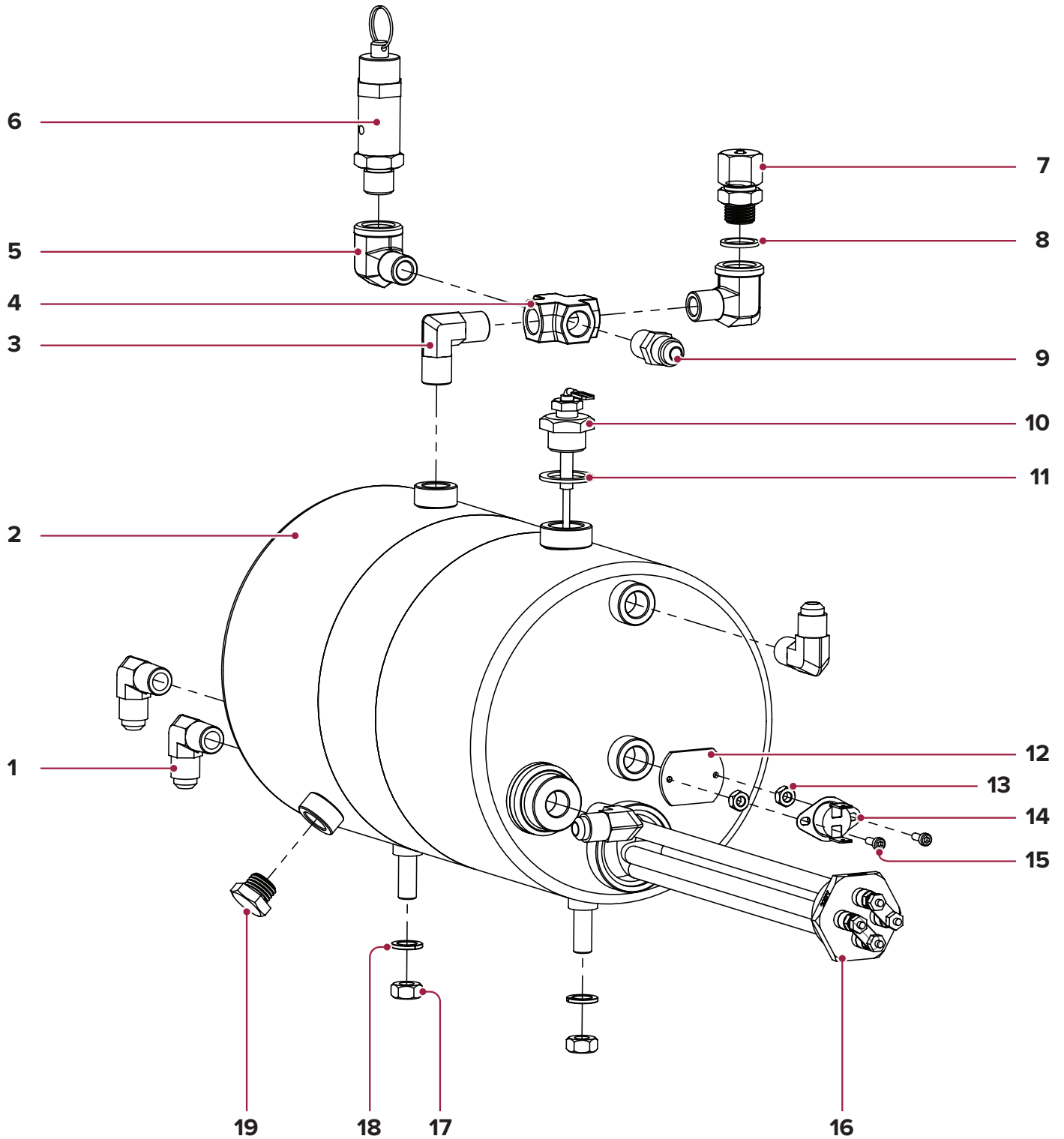


Key	Description	Item Number
1	4L HOT WATER BOILER	—
2	THERMOCOUPLE PROBE BASE	—
3	COPPER WASHER	236PMS9
4	INSULATED K TYPE THERMOCOUPLE PROBE	236PMS1
5	TYPE L BRASS FLARE CONNECTOR	236PTPM46
6	ANTI-EDDY VALVE 10 BAR	—

Key	Description	Item Number
7	INTERNAL THREADED TEE FITTING	—
8	BULK PRESSURE RELEASE TAP	236PTPM16
9	ELBOW BRASS CONNECTOR 3/8"	236PTPM9
10	BRASS PLUG	236PECEM58
11	HEATING ELEMENT 1500W	236PMS4
12	HEX NUT M8	—
13	M8 SPRING WASHER	236PMS10

STEAM BOILER ASSEMBLY

236ECMSA8D



STEAM BOILER ASSEMBLY

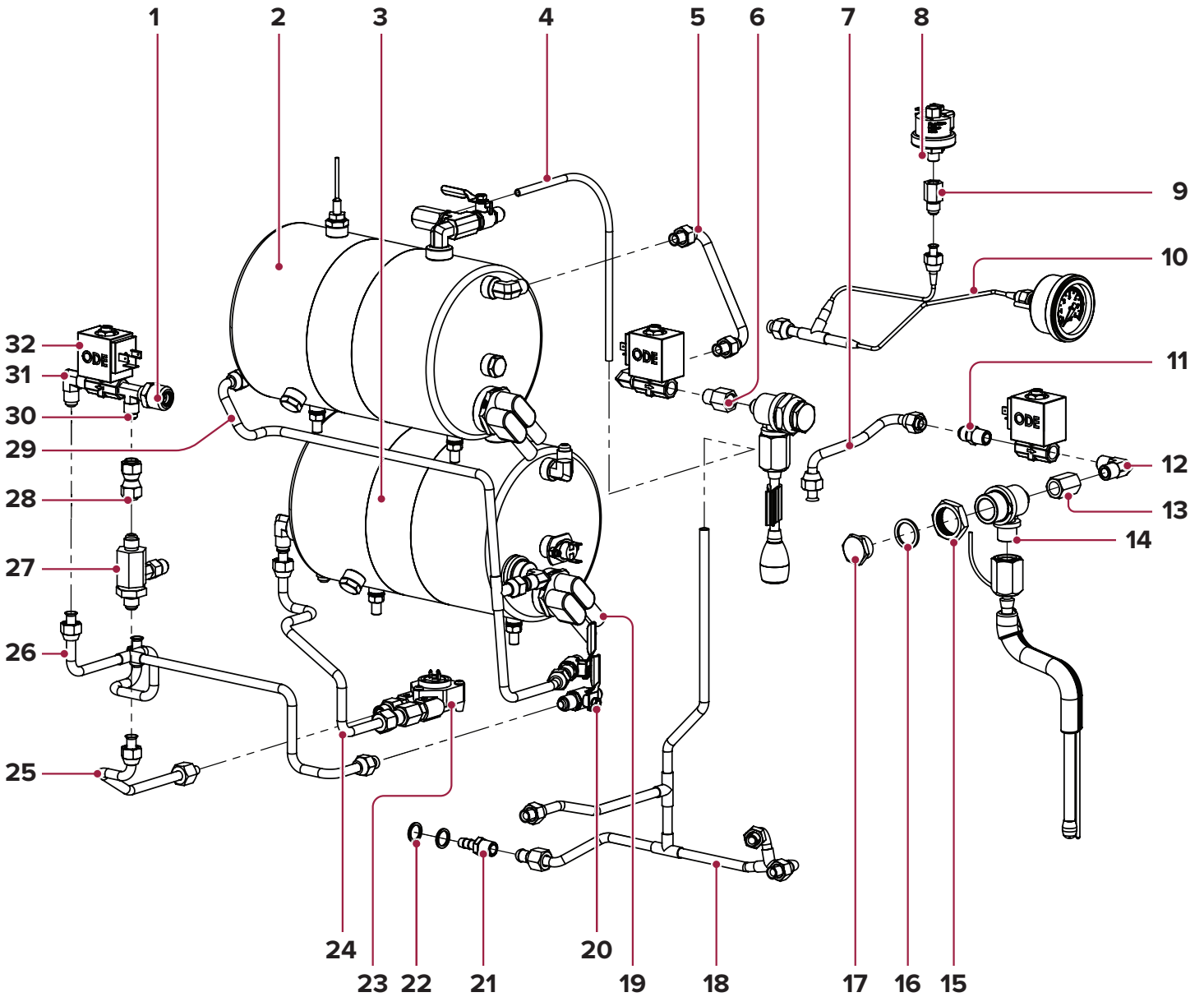
236ECMSA8D

Key	Description	Item Number
1	ELBOW BRASS CONNECTOR 3/8"	236PTPM9
2	4L STEAM BOILER	—
3	BRASS CONNECTOR	236PTPM25
4	FEMALE FOUR-WAY FITTING	—
5	MALE-FEMALE THREAD ELBOW	—
6	SAFETY VALVE	236PECEM57
7	ANTI-EDDY VALVE	236PECEM97
8	BRASS VALVE GASKET	236PTPM6
9	BRASS CONNECTOR 1/2"	236PECEM91
10	WATER LEVEL PROBE ASSEMBLY	236PMS17

Key	Description	Item Number
11	BRASS VALVE GASKET	236PTPM5
12	TEMPERATURE SWITCH MOUNTING BRACKET	—
13	HEX NUT M5*4	—
14	TEMPERATURE SWITCH 16A 248F	236PMS8
15	HEX SOCKET SCREW M3*8	—
16	HEATING ELEMENT 1500W	236PMS4
17	HEX NUT M8	—
18	M8 SPRING WASHER	236PMS10
19	BRASS PLUG	236PECEM58

BOILER HYDRAULIC CIRCUIT

236ECMSA8D



BOILER HYDRAULIC CIRCUIT

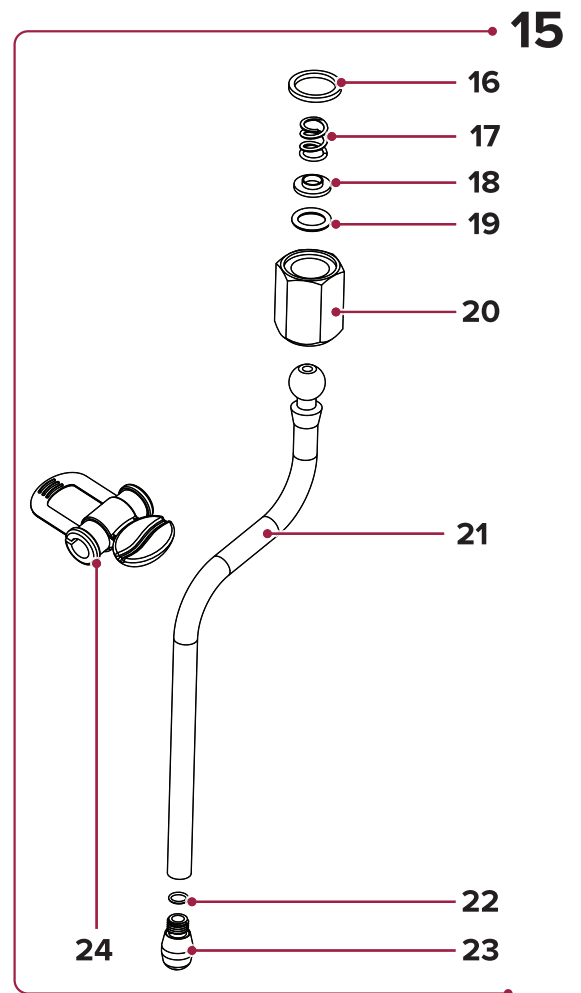
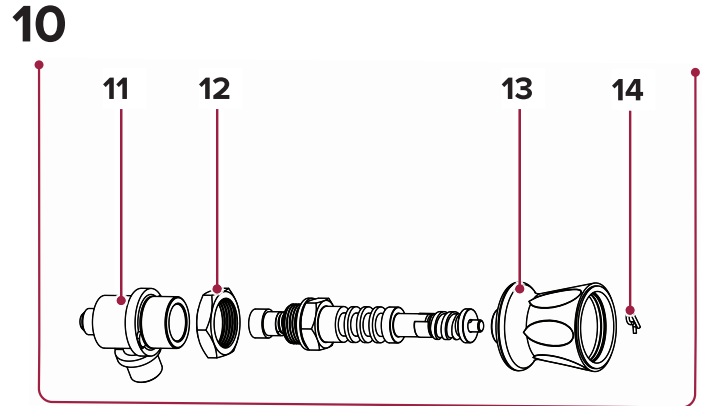
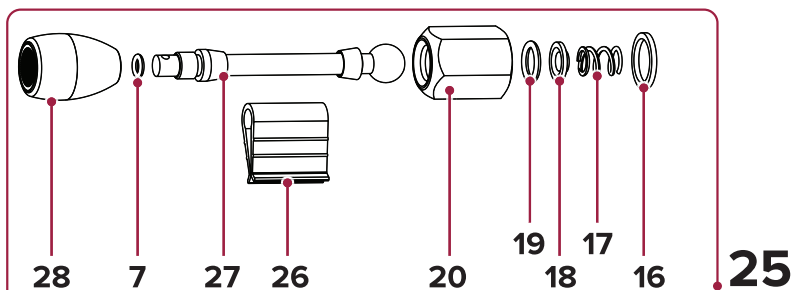
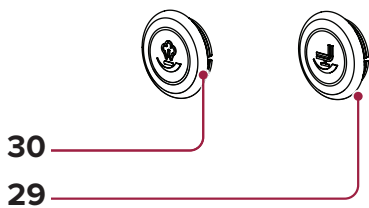
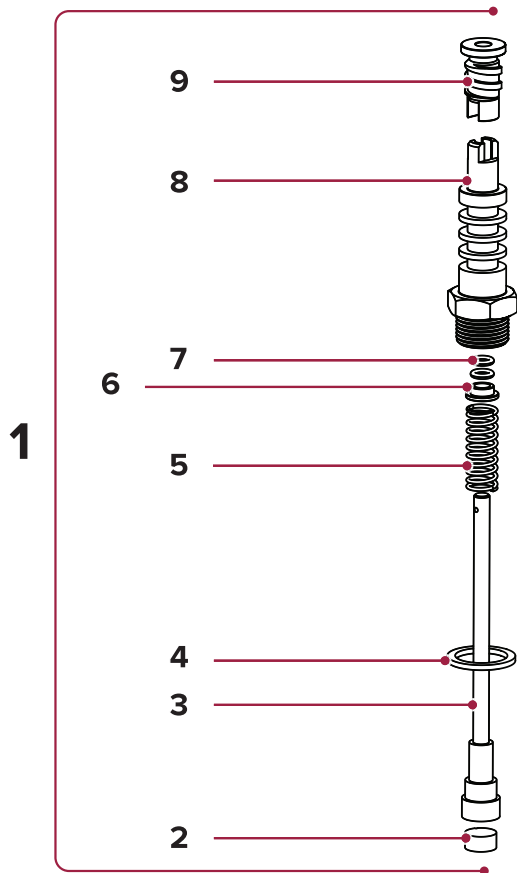
236ECMSA8D

Key	Description	Item Number
1	BRASS CONNECTOR	236PTPM28
2	4L HOT WATER BOILER ASSEMBLY	—
3	4L STEAM BOILER ASSEMBLY	—
4	SILICONE HOSE	—
5	HOT WATER OUTLET TUBE ASSEMBLY	—
6	WATER RECYCLE CONNECTOR	236PTPM76
7	STEAM OUTLET TUBE ASSEMBLY	—
8	PRESSURE SWITCH 1.0-2.5 BAR	236PMS5
9	PRESSURE GAUGE FITTING	—
10	STEAM PRESSURE GAUGE TUBE ASSEMBLY	236PMS21
11	BRASS CONNECTOR 1/2"	236PECEM91
12	BRASS CONNECTOR	236PTPM25
13	DOUBLE FEMALE THREAD FITTING	—
14	STEAM/WATER VALVE BODY	—
15	BRASS NUT	—
16	COPPER WASHER	—

Key	Description	Item Number
17	STEAM/WATER VALVE PLUG	—
18	PRESSURE RELIEF TUBE ASSEMBLY	—
19	HEATING ELEMENT INSULATION SLEEVE	—
20	BULK PRESSURE RELEASE TAP	236PTPM16
21	TUBE THREADED INSERT FITTING 1/4" X 5/16"	—
22	BRASS VALVE GASKET	236PTPM6
23	BOILER FLOWMETER	236PECEM18
24	BOILER INLET TUBE ASSEMBLY	—
25	FLOWMETER INLET TUBE ASSEMBLY	—
26	BOILER INLET TUBE ASSEMBLY	—
27	THREE WAY VALVE	236PECEM36
28	DRAIN TUBE ASSEMBLY	—
29	BOILER INLET TUBE ASSEMBLY	—
30	BRASS CONNECTOR	236PTPM27
31	ELBOW BRASS CONNECTOR 3/8"	236PTPM9
32	SOLENOID VALVE	236PTPM26

WATER AND STEAM ASSEMBLIES

236ECMSS6



WATER AND STEAM ASSEMBLIES

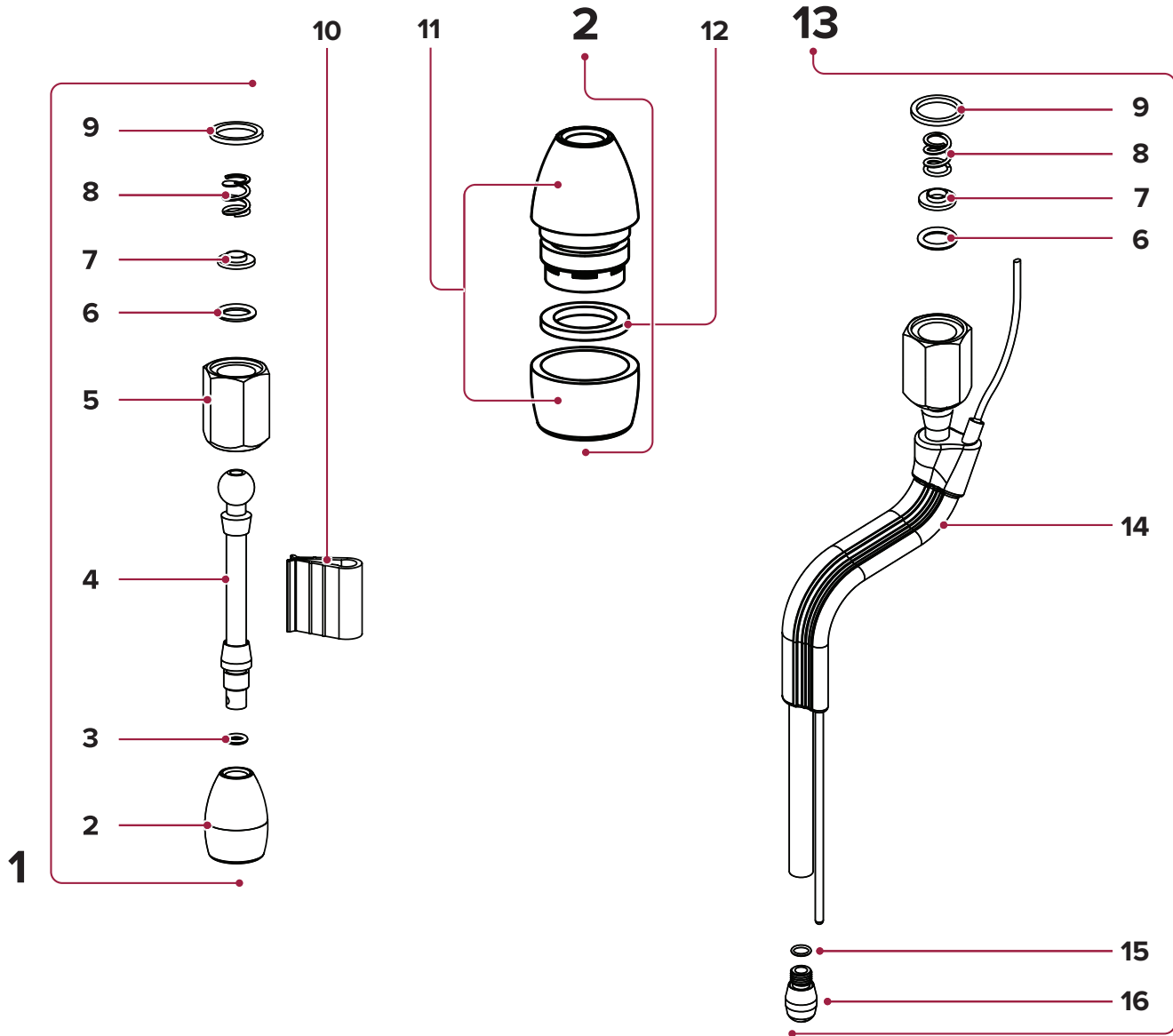
236ECMSS6

Key	Description	Item Number
1	WATER STEAM TAP	236PTPM80
2	SILICONE GASKET	236PECEM29
3	STEAM/WATER VALVE SPINDLE	—
4	COPPER WASHER	—
5	COMPRESSION SPRING	—
6	TIGHTENING GASKET	—
7	WATER STEAM TAP O-RING	236PECEM27
8	STEAM/WATER VALVE SHAFT BASE	—
9	STEAM/WATER VALVE SHAFT	—
10	WATER STEAM TAPS ASSEMBLY	236PTPM81
11	STEAM/WATER VALVE BODY	—
12	BRASS NUT	—
13	KNOB ASSEMBLY	—
14	R TYPE COTTER PIN	—
15	STEAM WAND ASSEMBLY	236PECEM85

Key	Description	Item Number
16	WATER/STEAM PTFE GASKET	236PECEM32
17	COMPRESSION SPRING	—
18	STEAM SPRING GASKET	236PECEM31
19	HOT WATER TUBE O-RING	236PECEM28
20	STEAM/WATER WAND SPRING BASE	—
21	STEAM WAND TUBE	236PECEM86
22	STEAM SPRAYER O-RING	236PECEM30
23	STEAM SPRAYER HEAD	236PECEM35
24	INSULATING SLEEVE	—
25	HOT WATER TUBING KIT	236PTPM82
26	INSULATING CLIP	—
27	HOT WATER WAND	—
28	HOT WATER NOZZLE	—
29	HOT WATER KNOB CAP	236PTPM79
30	STEAM KNOB CAP	236PTPM78

WATER AND STEAM ASSEMBLIES

236ECMSA8D

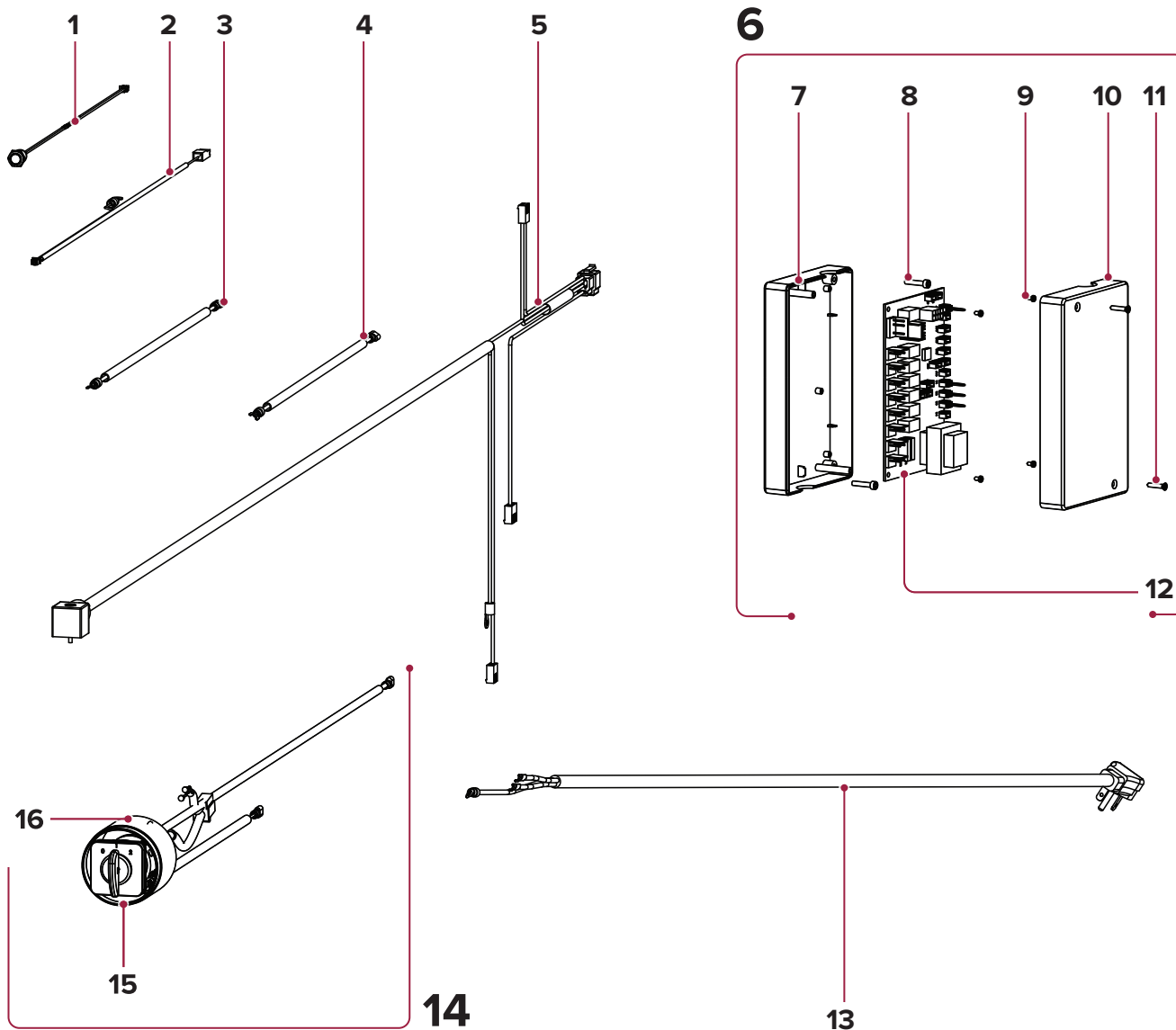


Key	Description	Item Number
1	HOT WATER TUBING KIT	236PTPM82
2	HOT WATER NOZZLE ASSEMBLY	—
3	WATER STEAM TAP O-RING	236PECEM27
4	HOT WATER WAND	—
5	STEAM/WATER WAND SPRING BASE	—
6	HOT WATER TUBE O-RING	236PECEM28
7	STEAM SPRING GASKET	236PECEM31
8	COMPRESSION SPRING	—
9	WATER/STEAM PTFE GASKET	236PECEM32

Key	Description	Item Number
10	INSULATING CLIP	—
11	HOT WATER NOZZLE	—
12	SILICONE GASKET	—
13	TEMPERATURE SENSING STEAM WAND ASSEMBLY	236PMS15
14	STEAM WAND RUBBER COATING	—
15	STEAM SPRAYER O-RING	236PECEM30
16	STEAM SPRAYER HEAD	236PECEM35

ELECTRICAL SYSTEM

236ECMSS6

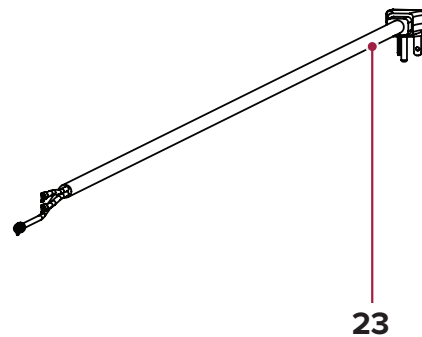
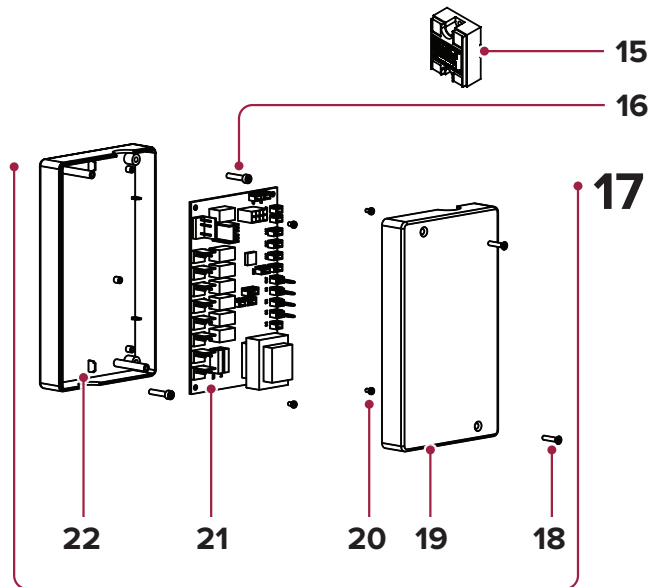
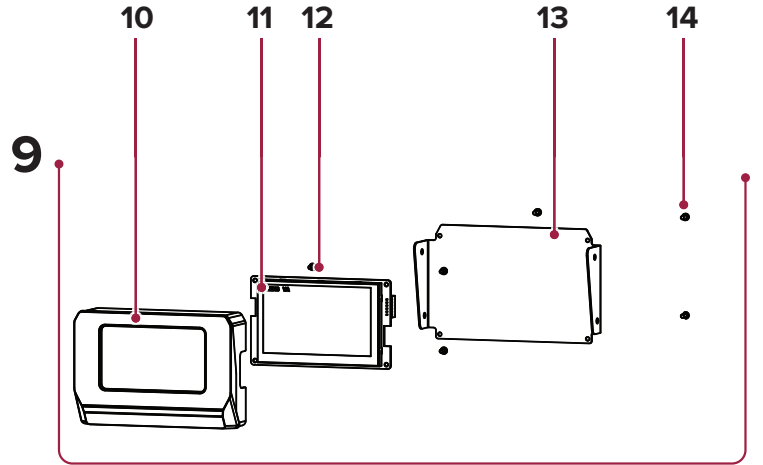
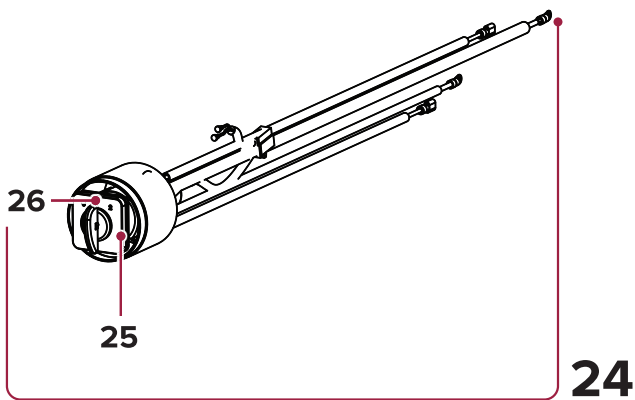
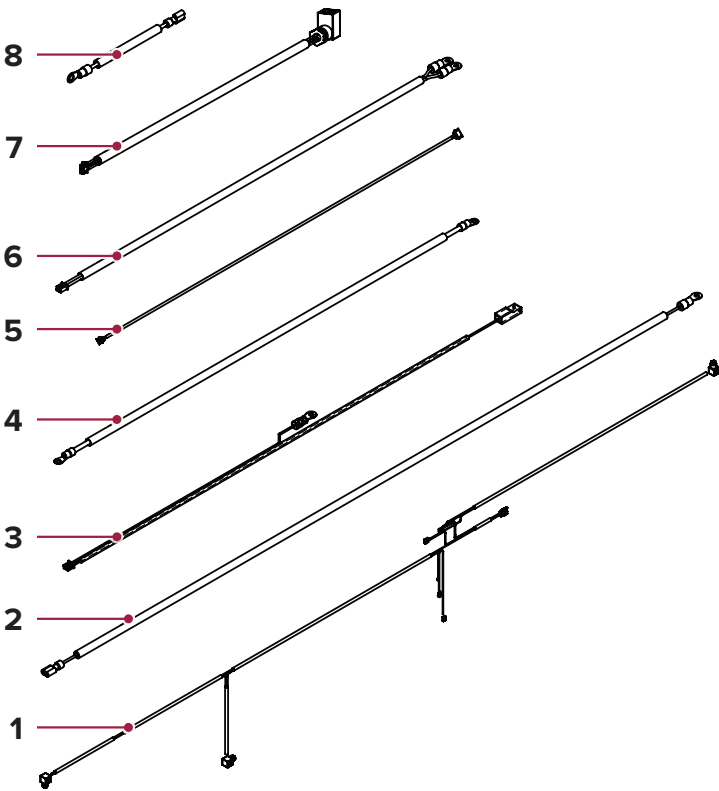


Key	Description	Item Number
1	INDICATOR LIGHT WIRING	—
2	WATER LEVEL PROBE WIRE	—
3	TEMPERATURE SWITCH ELEMENT CABLE	—
4	HEATING ELEMENT CABLE	—
5	SOLENOID VALVE WIRING	—
6	MAIN CONTROL IC BOARD ASSEMBLY	236PMS18
7	MAIN CONTROL IC BOX BOTTOM COVER	—
8	HEX SOCKET SCREW M4*20	—

Key	Description	Item Number
9	CROSS ROUND HEAD SELF-TAPPING SCREW	—
10	MAIN CONTROL IC BOX TOP COVER	—
11	CROSS FLAT HEAD SELF-TAPPING SCREW	—
12	MAIN CONTROL IC BOARD	—
13	MAIN POWER CABLE	236PMS2
14	MAIN POWER SWITCH ASSEMBLY	236PMS13
15	MAIN POWER SWITCH 20A	236PMS7
16	POWER SWITCH COVER	236PECEM52

ELECTRICAL SYSTEM

236ECMSA8D



ELECTRICAL SYSTEM

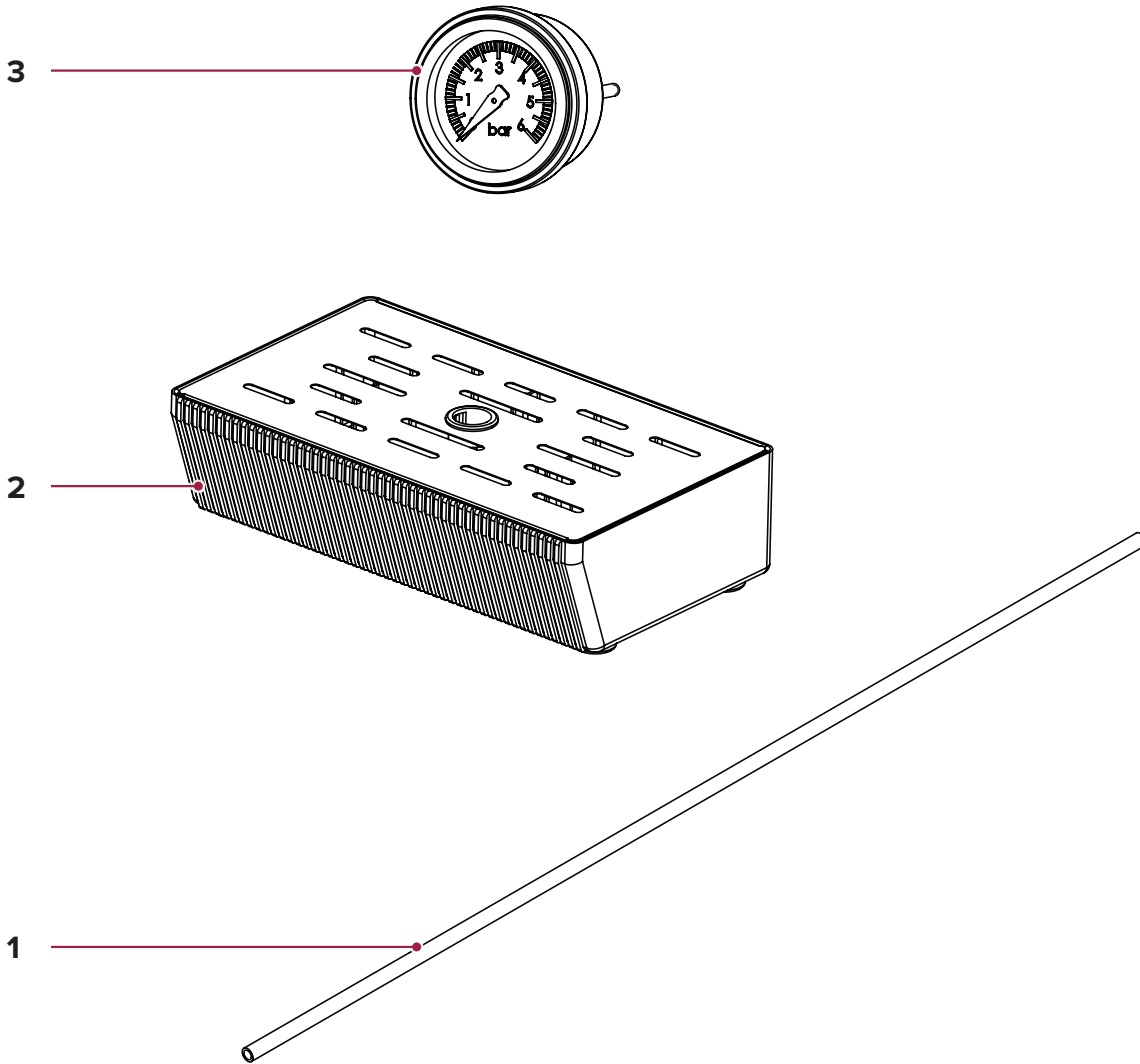
236ECMSA8D

Key	Description	Item Number
1	SOLENOID VALVE WIRING ASSEMBLY	—
2	SSR TEMPERATURE SWITCH CABLE	—
3	WATER LEVEL PROBE WIRE	—
4	POWER CABLE	—
5	TOUCH SCREEN MAIN CONTROL BOARD SIGNAL WIRE	—
6	DRY SSR SIGNAL WIRE	—
7	FLOWMETER WIRING	—
8	TEMPERATURE SWITCH HEATING ELEMENT CABLE	—
9	TOUCH SCREEN ASSEMBLY	236PMS22
10	TOUCH SCREEN IC BOX FRONT COVER	—
11	TOUCH SCREEN	—
12	PLASTIC CROSS TRUSS HEAD SCREW M3*6	—
13	TOUCH CONTROL IC BOX REAR COVER	—

Key	Description	Item Number
14	HEX SOCKET SCREW M3*6	—
15	SOLID STATE RELAY 15A	236PMS6
16	HEX SOCKET SCREW M4*20	—
17	MAIN CONTROL IC BOARD ASSEMBLY	236PMS19
18	CROSS FLAT HEAD SELF-TAPPING SCREW 3.5" x 19"	—
19	MAIN CONTROL IC BOX TOP COVER	—
20	CROSS ROUND HEAD SELF-TAPPING SCREW 1/8" x 1/4"	—
21	MAIN CONTROL IC BOARD	—
22	MAIN CONTROL IC BOX BOTTOM COVER	—
23	MAIN POWER CABLE	236PMS3
24	MAIN POWER SWITCH ASSEMBLY	236PMS14
25	MAIN POWER SWITCH 20A	236PMS7
26	POWER SWITCH COVER	236PECEM52

MISCELLANEOUS

236ECMSS6, 236ECMSA8D



Key	Description	Item Number
1	DRAIN HOSE	—
2	DRAIN BASIN ASSEMBLY	236PMS20
3	STEAM PRESSURE GAUGE	236PECEM34