

STAMPED STEEL CROSS, ROUND, & END BASE ASSEMBLY INSTRUCTIONS

PARTS

(A)



Base Plate 1PC

(B)



Bolt with Split Washer 2PCS

(C)



Column 1PC

(D)



Spider 1PC

(E)



Leveling Feet 4PCS



Tabletop Screws 8PCS

TOOLS

Tools not included:

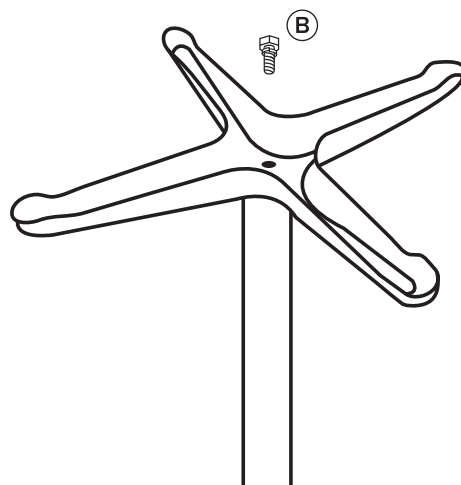
- Wrench
- Screwdriver
- Drill (optional)

STEP 1



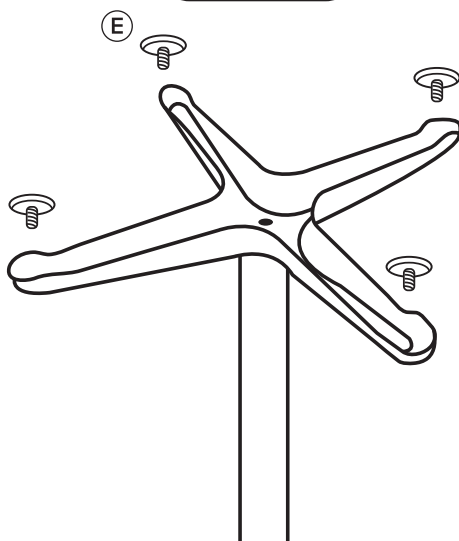
Remove bolt and washer from end of column.

STEP 2



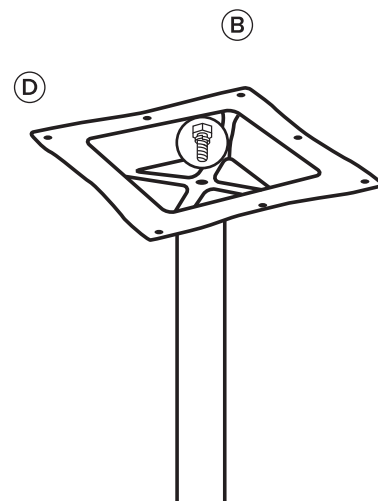
Place base plate upside down on top of column. Secure with bolt and washer.

STEP 3



Screw in leveling feet to bottom of base plate.

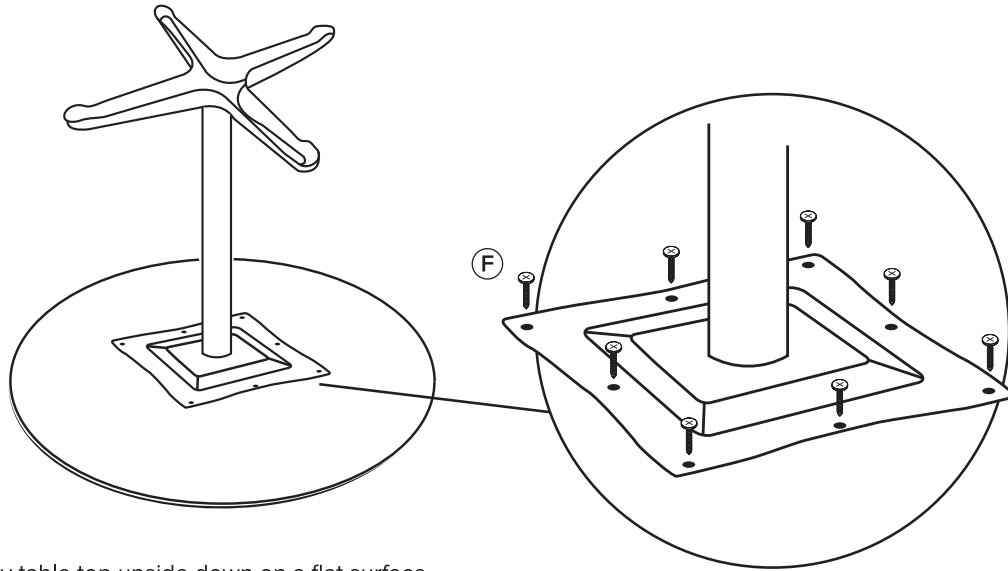
STEP 4



Flip the column and table base right side up with the base on the ground. Remove the bolt from the bottom of the column. Place spider on the column and secure with bolt.

STAMPED STEEL CROSS, ROUND, & END BASE ASSEMBLY INSTRUCTIONS

STEP 5



Lay table top upside down on a flat surface.
Place spider onto table top and center. Secure
with 8 screws. Be sure to measure your table
top thickness and verify that the screw length
is correct.