

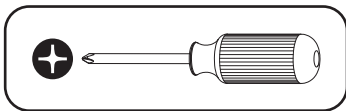


# LANCASTER TABLE & SEATING

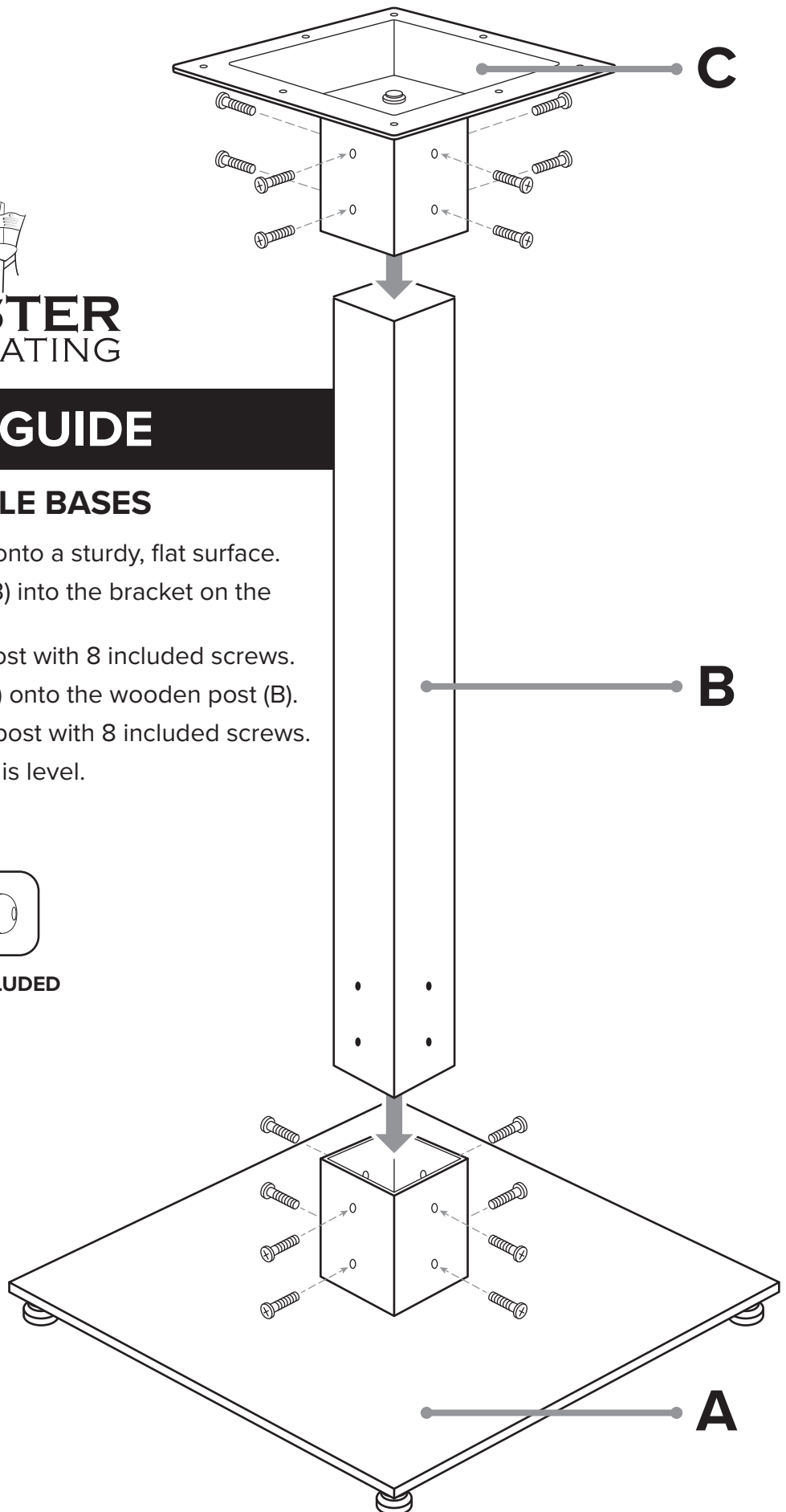
## ASSEMBLY GUIDE

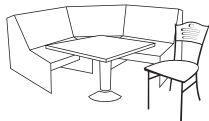
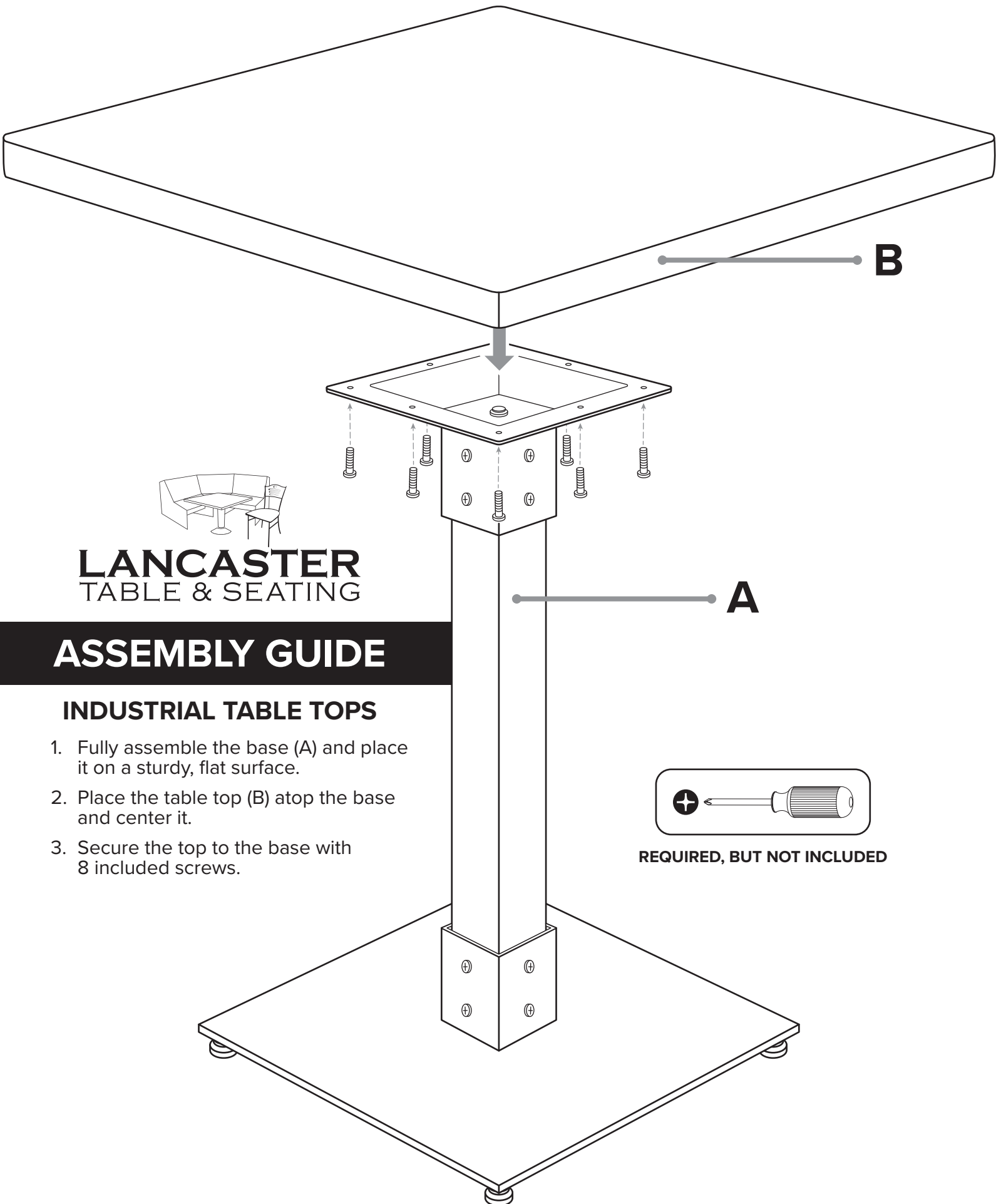
### INDUSTRIAL TABLE BASES

1. Place the metal base (A) onto a sturdy, flat surface.
2. Insert the wooden post (B) into the bracket on the metal base (A).
3. Secure the base to the post with 8 included screws.
4. Place the metal spider (C) onto the wooden post (B).
5. Secure the spider to the post with 8 included screws.
6. Adjust feet until the base is level.



REQUIRED, BUT NOT INCLUDED



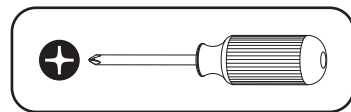


**LANCASTER**  
TABLE & SEATING

## ASSEMBLY GUIDE

### INDUSTRIAL TABLE TOPS

1. Fully assemble the base (A) and place it on a sturdy, flat surface.
2. Place the table top (B) atop the base and center it.
3. Secure the top to the base with 8 included screws.



**REQUIRED, BUT NOT INCLUDED**