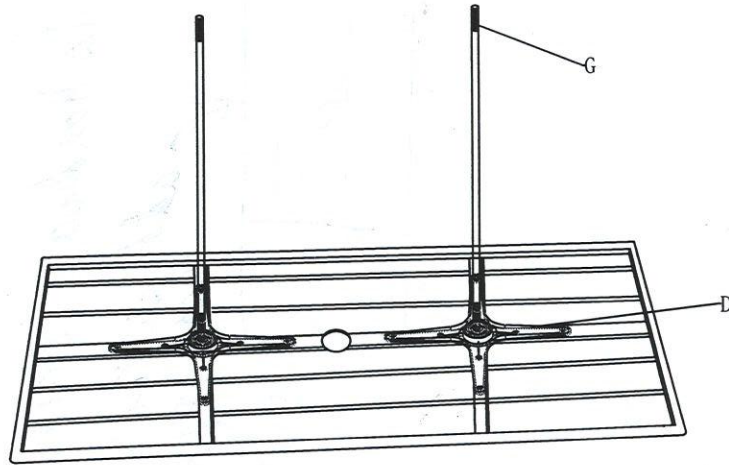




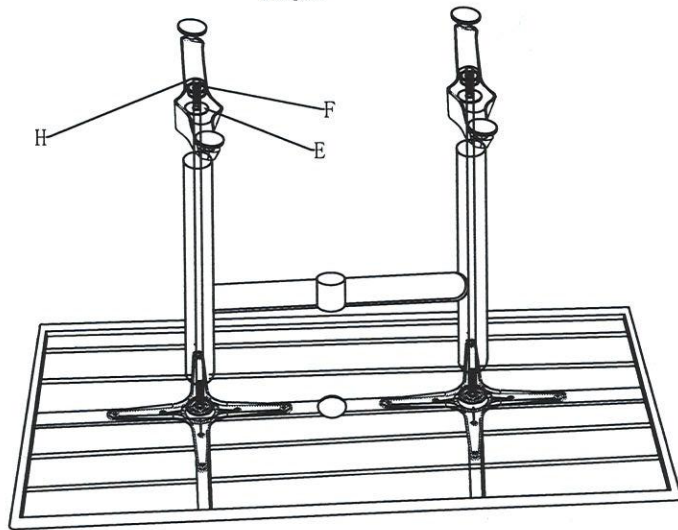


Step:1



| PART LIST | QTY |
|--|------|
| A DESK TOP | 1pc |
| B STANDPIPE | 1pc |
| C BASE | 2pcs |
| D CAST FRAME | 2pcs |
| E  WASHER $\phi 10$ | 2pcs |
| F  NUT M10 | 4pcs |
| G  SCREW ROD | 2pcs |
| H  IRON CASTING | 2pcs |

Step:2



Step:3

