



# Janitor Cart Assembly Instructions

07/2026

## Critical Information

**General Assembly:** When pressing components into place, be careful not to pinch yourself.

**Weight Capacity:** The total weight capacity of the unit is 175 lb.

**Do Not Overload:** Do not exceed the listed weight capacity.

**Tools:** If using a rubber mallet to secure parts, do not hammer them into place. Gently tap until the part is seated.

## User Safety



**WARNING**  
To prevent  
personal injury.

### WARNING - Child Supervision

- Unsupervised children may misuse the unit, leading to potential injury or damage to the unit.
- Children should be supervised to ensure that they do not play with the unit.
- Do not allow children to operate or play with the unit without proper supervision.

### WARNING - Restricted Use

- This unit is not intended for use by persons (including children) with reduced physical, sensory, or mental capabilities, or lack of experience and knowledge, unless they have been given supervision or instruction concerning use of the unit by a person responsible for their safety.
- Avoid unsupervised use by individuals without adequate instruction or capability.
- Improper use by unauthorized individuals may result in personal injury or equipment damage.

**Do Not Use If Damaged:** Product should not be used if damage is found. Contact an authorized service center.

**Prevent Misuse:** Do not sit, stand, shake, lean, jump, or climb on cart.

**Avoid Pinch Points:** Keep hands and fingers away from components and mating surfaces during assembly to prevent injury.

## Installation Requirements

### WARNING - Installation Location

- Incorrect placement can violate codes, create access issues, or compromise evacuation routes.
- The unit shall not be installed in public corridors or lobbies.
- Do not install the unit in areas that may block emergency exits or public pathways.

## Initial Setup

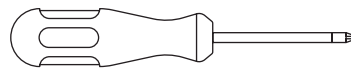
**Initial Use:** This cart is intended for commercial cleaning and maintenance use. When not in use, store indoors.

**Inspect the Packaging:** Examine the unit's packaging for any signs of damage that may have occurred during shipping.

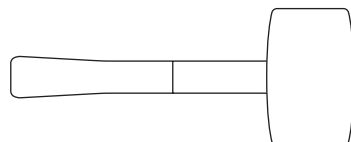
### Unboxing:

- Do not force a box cutter or knife through packaging, as it may damage the product or accessories.
- Ensure you do not damage the product or its components when removing it from the packaging.
- If any damage is present, contact customer service immediately.

## Required Tools (Not Included)



Phillips Head Screwdriver

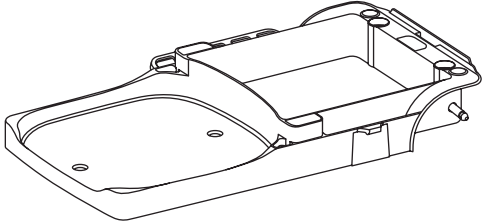
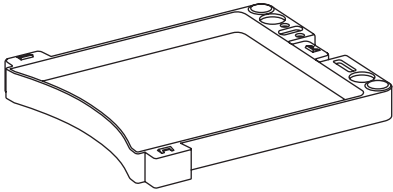
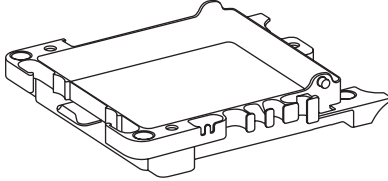
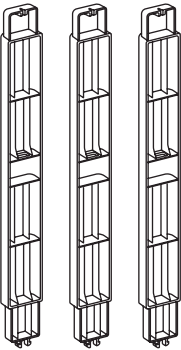

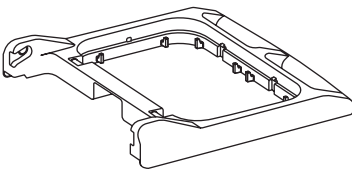
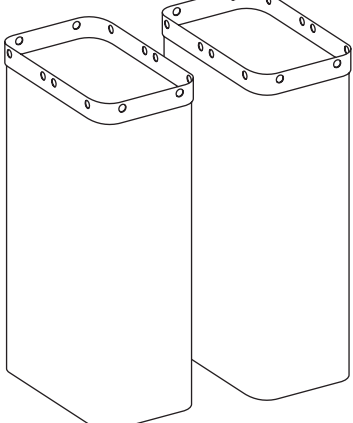

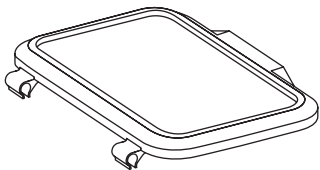
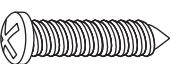



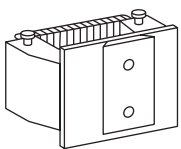
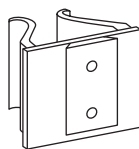
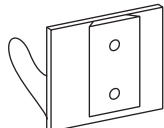
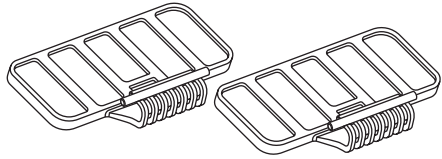


Rubber Mallet

# Janitor Cart Assembly Instructions



## Parts

 <p>(1) Base Plate</p>	 <p>(1) Middle Tray</p>	 <p>(1) Top Tray</p>		
 <p>(3) Pillars</p>	 <p>(2) Front Wheels</p>	 <p>(1) Handrail</p>	 <p>(2) Vinyl Bags</p>	
	 <p>(2) Rear Wheels</p>	 <p>(1) Lid</p>		
 <p>(3) Tapping Screws</p>	 <p>(3) Washer</p>	 <p>(2) Large Insert Plug</p>		 <p>(3) Small Insert Plug</p>
 <p>(1) Mop Hanger</p>	 <p>(1) Clip</p>	 <p>(1) Hook</p>		 <p>(2) Mop Racks</p>

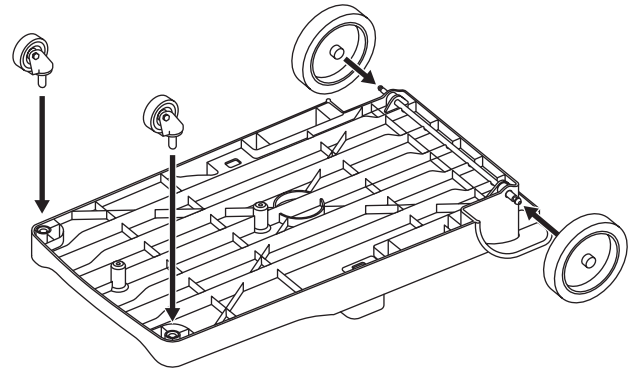
# Janitor Cart Assembly Instructions



## Assembly

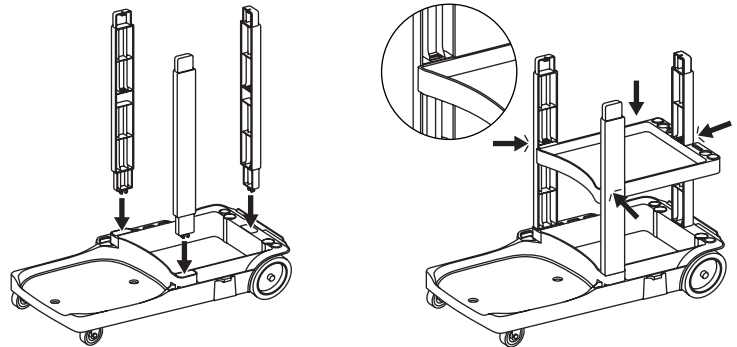
### Step 1 - Wheel Installation

- Turn over the base plate.
- Press the rear wheels onto the axle until they snap in place.
- Install front wheels into the designated holes and secure them by pressing or tapping into place with a rubber mallet.



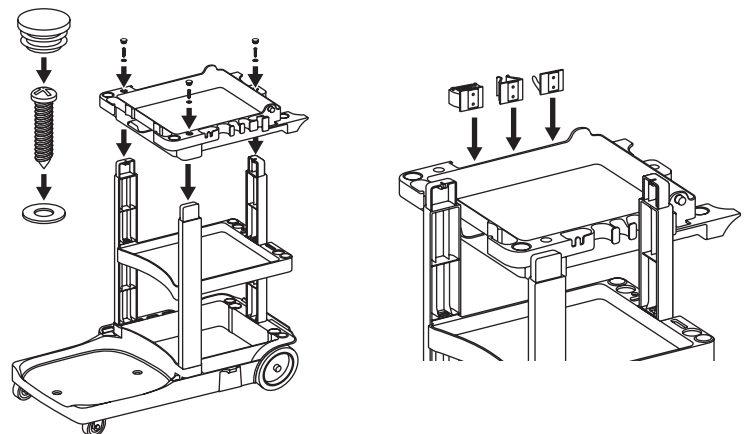
### Step 2 - Middle Tray and Pillar Assembly

- Install pillars into the base plate mounting locations.
- Mount the middle tray onto the pillars at the designated middle position until it snaps into place.



### Step 3 - Top Tray Assembly

- Position the top tray on the pillars.
- Secure using tapping screws and washers. Use small insert plugs to cover screws.
- Install the hook, clip, and mop hanger onto the right side of the top tray.

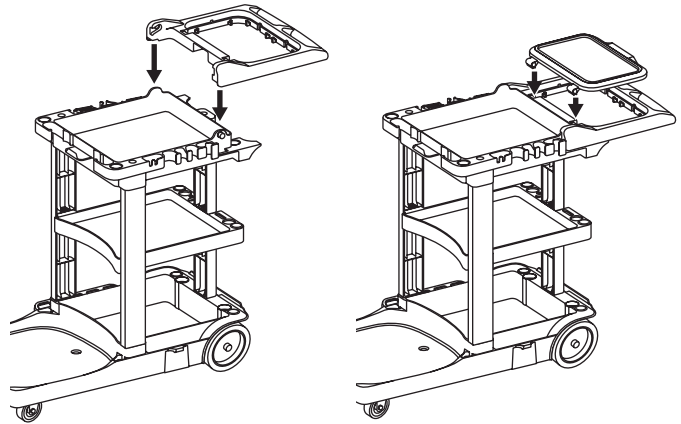


# Janitor Cart Assembly Instructions



## Step 4 - Handle and Lid

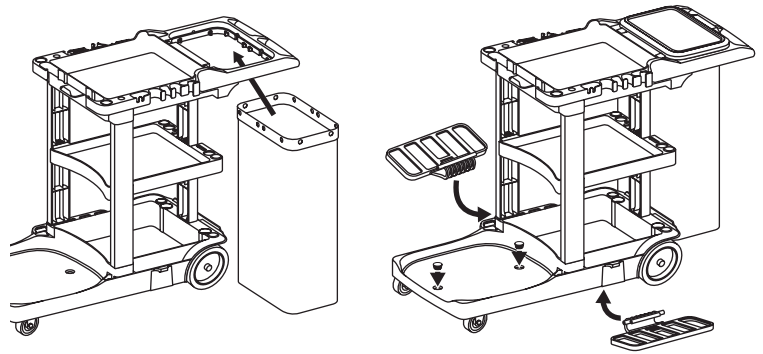
- Install the handrail into the top tray mounts.
- Press the lid into the mounts located in the handle.
- Verify the lid opens and closes smoothly after installation.



---

## Step 5 - Accessories and Mop Rack Installation

- The mop racks will mount under the base plate.  
**NOTE: You may flip the cart upside down to access the mop rack mounting location.**
- Hang the bag on the installed hooks.
- Insert the large plugs into the base tray holes.



## Step 6 - Completion

- Confirm all components are installed.
- Assembly is complete, and the cart is ready for use.

---

## Cleaning and Maintenance

**Daily Cleaning:** Remove loose debris and wipe down with a damp cloth or mild soap solution to prevent buildup.

**Deep Cleaning:** Use a degreaser safe for plastic to remove dirt.

**Assembling Inspection:** Regularly inspect parts and ensure structural integrity.

**Wheels:** Check for worn-out wheels, flat spots, or uneven damage. Replace wheels that make the cart difficult to maneuver.