

ASSEMBLY INSTRUCTIONS

ICED COOLED FOOD TABLE

SERVITE HOLD IT
COOL IT
MOVE IT

STEP 1

Organize all pieces and verify that everything was included.

You should have:

- | | |
|-------------------------------------|----------------------|
| (1) Steam Table | (6) Shelf |
| (2) Hanging Shelf | (7) Legs - 4 |
| (3) Poly Cutting Board | (8) Screws M6X12 - 8 |
| (4) Left Support for Hanging Shelf | (9) Screws M8X8 - 16 |
| (5) Right Support for Hanging Shelf | |

If you are missing any pieces, please stop at this point and contact your Customer Service Representative.

STEP 2

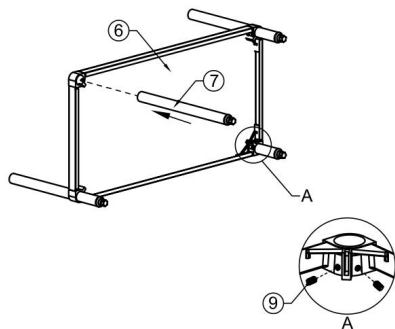
Place the tabletop upside down on a surface that won't scratch it.

STEP 3

On each of the legs, mark the height where you'll be installing your undershelf. It should be at least 6 inches off the ground for food safety.

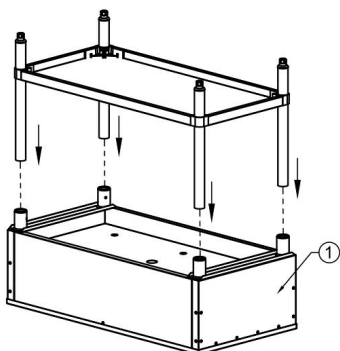
STEP 4

Once marked, slide the shelf onto the legs and fully tighten all the set screws.



STEP 5

Insert the legs into the tabletop gussets. You may need to loosen the set screw if one struggles to go in.



STEP 6

Tighten set screws in tabletop gussets. Stand table upright.

STEP 7

Adjust the feet as needed to meet your height requirements or to compensate for uneven flooring.

STEP 8

Use screwdriver and included screws to secure left and right support brackets to the front of the food table.

STEP 9

Place hanging shelf on support brackets and screw into place. Lay cutting board in place atop the hanging shelf.

STEP 10

Remove protective film.

