

English = p 2

Français = p 14

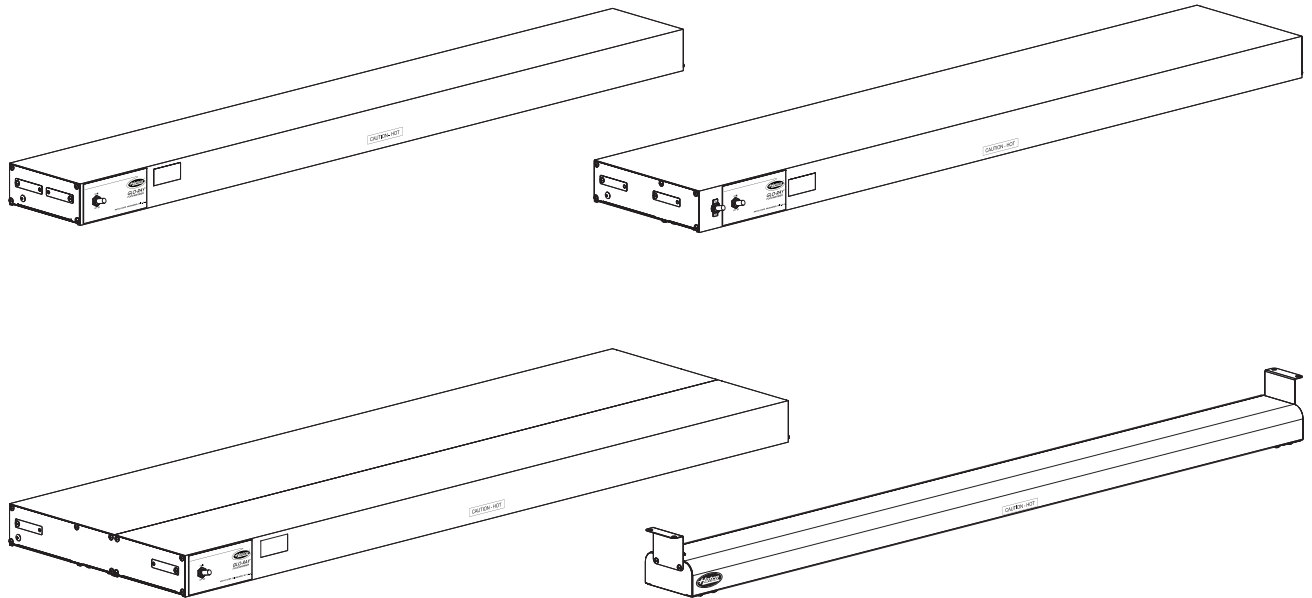


GLO-RAY®

Infrared Strip Heaters Rampes Chauffantes à Infrarouge GR, GRH, GRHL, GRA, GRAH, GRAL, GRAHL, GRN, GRNH Series/Série

Electrical Rating Charts Tableaux des valeurs nominales électriques

P/N 07.04.631.00



Contents

- GR Models.....2
- GRH Models.....3
- GRHL Models.....3
- GRA Models.....4
- GRAH Models.....5
- GRAL Models.....6
- GRAHL Models.....7
- GRA-XXD Models.....8
- GRAH-XXD Models.....9
- GRAL-XXD Models.....10
- GRAHL-XXD Models.....11
- GRN Models.....12
- GRNH Models.....13

GR Models

Model	Voltage	Watts	Amps	Shipping Weight
GR-18	120	250	2.1	7 lbs. (3 kg)
	208	250	1.2	7 lbs. (3 kg)
	240	250	1.0	7 lbs. (3 kg)
	100	250	2.5	7 lbs. (3 kg)
	200	250	1.3	7 lbs. (3 kg)
	220♦	250	1.1	7 lbs. (3 kg)
	240♦	250	1.0	7 lbs. (3 kg)
GR-24	120	350	2.9	7 lbs. (3 kg)
	208	350	1.7	7 lbs. (3 kg)
	240	350	1.5	7 lbs. (3 kg)
	100	350	3.5	7 lbs. (3 kg)
	200	350	1.8	7 lbs. (3 kg)
	220♦	350	1.6	7 lbs. (3 kg)
	240♦	350	1.5	7 lbs. (3 kg)
GR-36	120	575	4.8	10 lbs. (5 kg)
	208	575	2.8	10 lbs. (5 kg)
	240	575	2.4	10 lbs. (5 kg)
	100	575	5.8	10 lbs. (5 kg)
	200	575	2.9	10 lbs. (5 kg)
	220♦	575	2.6	10 lbs. (5 kg)
	240♦	575	2.4	10 lbs. (5 kg)
GR-48	120	800	6.7	12 lbs. (5 kg)
	208	800	3.8	12 lbs. (5 kg)
	240	800	3.3	12 lbs. (5 kg)
	100	800	8.0	12 lbs. (5 kg)
	200	800	4.0	12 lbs. (5 kg)
	220♦	800	3.6	12 lbs. (5 kg)
	240♦	800	3.3	12 lbs. (5 kg)
GR-60	120	1050	8.8	15 lbs. (7 kg)
	208	1050	5.0	15 lbs. (7 kg)
	240	1050	4.4	15 lbs. (7 kg)
	100	1050	10.5	15 lbs. (7 kg)
	200	1050	5.3	15 lbs. (7 kg)
	220♦	1050	4.8	15 lbs. (7 kg)
	240♦	1050	4.4	15 lbs. (7 kg)
GR-72	120	1275	10.6	19 lbs. (9 kg)
	208	1275	6.1	19 lbs. (9 kg)
	240	1275	5.3	19 lbs. (9 kg)
	100	1275	12.8	19 lbs. (9 kg)
	200	1275	6.4	19 lbs. (9 kg)
	220♦	1275	5.8	19 lbs. (9 kg)
	240♦	1275	5.3	19 lbs. (9 kg)
GR-96	120	1725	14.4	24 lbs. (11 kg)
	208	1725	8.3	24 lbs. (11 kg)
	240	1725	7.2	24 lbs. (11 kg)
	100	1725	17.3	24 lbs. (11 kg)
	200	1725	8.6	24 lbs. (11 kg)
	220♦	1725	7.8	24 lbs. (11 kg)
	240♦	1725	7.2	24 lbs. (11 kg)

The shaded areas contain electrical information for **International models only.**

♦ CE approved units for 220–230 V utilize a 220 V heating system; 230–240 V CE units utilize a 240 V heating system.

GRH Models

Model	Voltage	Watts	Amps	Shipping Weight
GRH-18	120	350	2.9	7 lbs. (3 kg)
	208	350	1.7	7 lbs. (3 kg)
	240	350	1.5	7 lbs. (3 kg)
	100	350	3.5	7 lbs. (3 kg)
	200	350	1.8	7 lbs. (3 kg)
	220♦	350	1.6	7 lbs. (3 kg)
	240♦	350	1.5	7 lbs. (3 kg)
GRH-24	120	500	4.2	7 lbs. (3 kg)
	208	500	2.4	7 lbs. (3 kg)
	240	500	2.1	7 lbs. (3 kg)
	100	500	5.0	7 lbs. (3 kg)
	200	500	2.5	7 lbs. (3 kg)
	220♦	500	2.3	7 lbs. (3 kg)
	240♦	500	2.1	7 lbs. (3 kg)
GRH-36	120	800	6.7	10 lbs. (5 kg)
	208	800	3.8	10 lbs. (5 kg)
	240	800	3.3	10 lbs. (5 kg)
	100	800	8.0	10 lbs. (5 kg)
	200	800	4.0	10 lbs. (5 kg)
	220♦	800	3.6	10 lbs. (5 kg)
	240♦	800	3.3	10 lbs. (5 kg)
GRH-48	120	1100	9.2	12 lbs. (5 kg)
	208	1100	5.3	12 lbs. (5 kg)
	240	1100	4.6	12 lbs. (5 kg)
	100	1100	11.0	12 lbs. (5 kg)
	200	1100	5.5	12 lbs. (5 kg)
	220♦	1100	5.0	12 lbs. (5 kg)
	240♦	1100	4.6	12 lbs. (5 kg)
GRH-60	120	1400	11.7	15 lbs. (7 kg)
	208	1400	6.7	15 lbs. (7 kg)
	240	1400	5.8	15 lbs. (7 kg)
	100	1400	14.0	15 lbs. (7 kg)
	200	1400	7.0	15 lbs. (7 kg)
	220♦	1400	6.4	15 lbs. (7 kg)
	240♦	1400	5.8	15 lbs. (7 kg)
GRH-72	120	1725	14.4	19 lbs. (9 kg)
	208	1725	8.3	19 lbs. (9 kg)
	240	1725	7.2	19 lbs. (9 kg)
	100	1725	17.3	19 lbs. (9 kg)
	200	1725	8.6	19 lbs. (9 kg)
	220♦	1725	7.8	19 lbs. (9 kg)
	240♦	1725	7.2	19 lbs. (9 kg)
GRH-96*	208	2400	11.5	24 lbs. (11 kg)
	240	2400	10.0	24 lbs. (11 kg)
	200	2400	12.0	24 lbs. (11 kg)
	220♦	2400	10.9	24 lbs. (11 kg)
	240♦	2400	10.0	24 lbs. (11 kg)

GRHL Models

Model	Voltage	Watts	Amps	Shipping Weight
GRHL-18	120	470	3.9	10 lbs. (5 kg)
	220	470	2.1	10 lbs. (5 kg)
	240	470	2.0	10 lbs. (5 kg)
GRHL-24	120	620	5.2	10 lbs. (5 kg)
	220	620	2.8	10 lbs. (5 kg)
	240	620	2.6	10 lbs. (5 kg)
GRHL-36	120	980	8.2	14 lbs. (6 kg)
	220	980	4.5	14 lbs. (6 kg)
	240	980	4.1	14 lbs. (6 kg)
GRHL-48	120	1340	11.2	18 lbs. (8 kg)
	220	1340	6.1	18 lbs. (8 kg)
	240	1340	5.6	18 lbs. (8 kg)
GRHL-60	120	1700	14.2	22 lbs. (10 kg)
	220	1700	7.7	22 lbs. (10 kg)
	240	1700	7.1	22 lbs. (10 kg)
GRHL-72	120	2085	17.4	26 lbs. (12 kg)
	220	2085	9.5	26 lbs. (12 kg)
	240	2085	8.7	26 lbs. (12 kg)

The shaded areas contain electrical information for **International models only**.

* Not available in 100 V or 120 V.

♦ CE approved units for 220–230 V utilize a 220 V heating system; 230–240 V CE units utilize a 240 V heating system.

GRA Models

Model	Voltage	Watts	Amps	Shipping Weight
GRA-18	120	250	2.1	6 lbs. (3 kg)
	208	250	1.2	6 lbs. (3 kg)
	240	250	1.0	6 lbs. (3 kg)
	100	250	2.5	6 lbs. (3 kg)
	200	250	1.3	6 lbs. (3 kg)
	220♦	250	1.1	6 lbs. (3 kg)
	240♦	250	1.0	6 lbs. (3 kg)
GRA-24	120	350	2.9	7 lbs. (3 kg)
	208	350	1.7	7 lbs. (3 kg)
	240	350	1.5	7 lbs. (3 kg)
	100	350	3.5	7 lbs. (3 kg)
	200	350	1.8	7 lbs. (3 kg)
	220♦	350	1.6	7 lbs. (3 kg)
	240♦	350	1.5	7 lbs. (3 kg)
GRA-30	120	450	3.8	8 lbs. (4 kg)
	208	450	2.2	8 lbs. (4 kg)
	240	450	1.9	8 lbs. (4 kg)
	100	450	4.5	8 lbs. (4 kg)
	200	450	2.3	8 lbs. (4 kg)
	220♦	450	2.1	8 lbs. (4 kg)
	240♦	450	1.9	8 lbs. (4 kg)
GRA-36	120	575	4.8	9 lbs. (4 kg)
	208	575	2.8	9 lbs. (4 kg)
	240	575	2.4	9 lbs. (4 kg)
	100	575	5.8	9 lbs. (4 kg)
	200	575	2.9	9 lbs. (4 kg)
	220♦	575	2.6	9 lbs. (4 kg)
	240♦	575	2.4	9 lbs. (4 kg)
GRA-42	120	675	5.6	10 lbs. (5 kg)
	208	675	3.2	10 lbs. (5 kg)
	240	675	2.8	10 lbs. (5 kg)
	100	675	6.8	10 lbs. (5 kg)
	200	675	3.4	10 lbs. (5 kg)
	220♦	675	3.1	10 lbs. (5 kg)
	240♦	675	2.8	10 lbs. (5 kg)
GRA-48	120	800	6.7	11 lbs. (5 kg)
	208	800	3.8	11 lbs. (5 kg)
	240	800	3.3	11 lbs. (5 kg)
	100	800	8.0	11 lbs. (5 kg)
	200	800	4.0	11 lbs. (5 kg)
	220♦	800	3.6	11 lbs. (5 kg)
	240♦	800	3.3	11 lbs. (5 kg)
GRA-54	120	925	7.7	13 lbs. (6 kg)
	208	925	4.4	13 lbs. (6 kg)
	240	925	3.9	13 lbs. (6 kg)
	100	925	9.3	13 lbs. (6 kg)
	200	925	4.6	13 lbs. (6 kg)
	220♦	925	4.2	13 lbs. (6 kg)
	240♦	925	3.9	13 lbs. (6 kg)
GRA-60	120	1050	8.8	14 lbs. (6 kg)
	208	1050	5.0	14 lbs. (6 kg)
	240	1050	4.4	14 lbs. (6 kg)
	100	1050	10.5	14 lbs. (6 kg)
	200	1050	5.3	14 lbs. (6 kg)
	220♦	1050	4.8	14 lbs. (6 kg)
	240♦	1050	4.4	14 lbs. (6 kg)

Model	Voltage	Watts	Amps	Shipping Weight
GRA-66	120	1160	9.7	16 lbs. (7 kg)
	208	1160	5.6	16 lbs. (7 kg)
	240	1160	4.8	16 lbs. (7 kg)
	100	1160	11.6	16 lbs. (7 kg)
	200	1160	5.8	16 lbs. (7 kg)
	220♦	1160	5.3	16 lbs. (7 kg)
	240♦	1160	4.8	16 lbs. (7 kg)
GRA-72■	120	1275	10.6	17 lbs. (8 kg)
	208	1275	6.1	17 lbs. (8 kg)
	240	1275	5.3	17 lbs. (8 kg)
	100	1275	12.8	17 lbs. (8 kg)
	200	1275	6.4	17 lbs. (8 kg)
	220♦	1275	5.8	17 lbs. (8 kg)
	240♦	1275	5.3	17 lbs. (8 kg)
GRA-84•■	120	1500	12.5	19 lbs. (9 kg)
	208	1500	7.2	19 lbs. (9 kg)
	240	1500	6.3	19 lbs. (9 kg)
	100	1500	15.0	19 lbs. (9 kg)
	200	1500	7.5	19 lbs. (9 kg)
	220♦	1500	6.8	19 lbs. (9 kg)
	240♦	1500	6.3	19 lbs. (9 kg)
GRA-96•■	120	1725	14.4	21 lbs. (10 kg)
	208	1725	8.3	21 lbs. (10 kg)
	240	1725	7.2	21 lbs. (10 kg)
	100	1725	17.3	21 lbs. (10 kg)
	200	1725	8.6	21 lbs. (10 kg)
	220♦	1725	7.8	21 lbs. (10 kg)
	240♦	1725	7.2	21 lbs. (10 kg)
GRA-108†	120	1850	15.4	23 lbs. (10 kg)
	208	1850	8.9	23 lbs. (10 kg)
	240	1850	7.7	23 lbs. (10 kg)
	100	1850	18.5	23 lbs. (10 kg)
	200	1850	9.3	23 lbs. (10 kg)
	220	1850	8.4	23 lbs. (10 kg)
	240	1850	7.7	23 lbs. (10 kg)
GRA-120†	120	2100	17.5	26 lbs. (12 kg)
	208	2100	10.1	26 lbs. (12 kg)
	240	2100	8.8	26 lbs. (12 kg)
	100	2100	21.0	26 lbs. (12 kg)
	200	2100	10.5	26 lbs. (12 kg)
	220	2100	9.5	26 lbs. (12 kg)
	240	2100	8.8	26 lbs. (12 kg)
GRA-132†	120	2320	19.3	30 lbs. (14 kg)
	208	2320	11.2	30 lbs. (14 kg)
	240	2320	9.7	30 lbs. (14 kg)
	100	2320	23.2	30 lbs. (14 kg)
	200	2320	11.6	30 lbs. (14 kg)
	220	2320	10.5	30 lbs. (14 kg)
	240	2320	9.7	30 lbs. (14 kg)
GRA-144†	120	2550	21.3	33 lbs. (15 kg)
	208	2550	12.3	33 lbs. (15 kg)
	240	2550	10.6	33 lbs. (15 kg)
	100	2550	25.5	33 lbs. (15 kg)
	200	2550	12.8	33 lbs. (15 kg)
	220	2550	11.6	33 lbs. (15 kg)
	240	2550	10.6	33 lbs. (15 kg)

GRAH Models

Model	Voltage	Watts	Amps	Shipping Weight
GRAH-18	120	350	2.9	6 lbs. (3 kg)
	208	350	1.7	6 lbs. (3 kg)
	240	350	1.5	6 lbs. (3 kg)
	100	350	3.5	6 lbs. (3 kg)
	200	350	1.8	6 lbs. (3 kg)
	220♦	350	1.6	6 lbs. (3 kg)
	240♦	350	1.5	6 lbs. (3 kg)
GRAH-24	120	500	4.2	7 lbs. (3 kg)
	208	500	2.4	7 lbs. (3 kg)
	240	500	2.1	7 lbs. (3 kg)
	100	500	5.0	7 lbs. (3 kg)
	200	500	2.5	7 lbs. (3 kg)
	220♦	500	2.3	7 lbs. (3 kg)
	240♦	500	2.1	7 lbs. (3 kg)
GRAH-30	120	660	5.5	8 lbs. (4 kg)
	208	660	3.2	8 lbs. (4 kg)
	240	660	2.8	8 lbs. (4 kg)
	100	660	6.6	8 lbs. (4 kg)
	200	660	3.3	8 lbs. (4 kg)
	220♦	660	33.0	8 lbs. (4 kg)
	240♦	660	2.8	8 lbs. (4 kg)
GRAH-36	120	800	6.7	9 lbs. (4 kg)
	208	800	3.8	9 lbs. (4 kg)
	240	800	3.3	9 lbs. (4 kg)
	100	800	8.0	9 lbs. (4 kg)
	200	800	4.0	9 lbs. (4 kg)
	220♦	800	3.6	9 lbs. (4 kg)
	240♦	800	3.3	9 lbs. (4 kg)
GRAH-42	120	950	7.9	10 lbs. (5 kg)
	208	950	4.6	10 lbs. (5 kg)
	240	950	4.0	10 lbs. (5 kg)
	100	950	9.5	10 lbs. (5 kg)
	200	950	4.8	10 lbs. (5 kg)
	220♦	950	4.3	10 lbs. (5 kg)
	240♦	950	4.0	10 lbs. (5 kg)
GRAH-48	120	1100	9.2	11 lbs. (5 kg)
	208	1100	5.3	11 lbs. (5 kg)
	240	1100	4.6	11 lbs. (5 kg)
	100	1100	11.0	11 lbs. (5 kg)
	200	1100	5.5	11 lbs. (5 kg)
	220♦	1100	5.0	11 lbs. (5 kg)
	240♦	1100	4.6	11 lbs. (5 kg)
GRAH-54	120	1250	10.4	13 lbs. (6 kg)
	208	1250	6.0	13 lbs. (6 kg)
	240	1250	5.2	13 lbs. (6 kg)
	100	1250	12.5	13 lbs. (6 kg)
	200	1250	6.3	13 lbs. (6 kg)
	220♦	1250	5.7	13 lbs. (6 kg)
	240♦	1250	5.2	13 lbs. (6 kg)
GRAH-60	120	1400	11.7	14 lbs. (6 kg)
	208	1400	6.7	14 lbs. (6 kg)
	240	1400	5.8	14 lbs. (6 kg)
	100	1400	14.0	14 lbs. (6 kg)
	200	1400	7.0	14 lbs. (6 kg)
	220♦	1400	6.4	14 lbs. (6 kg)
	240♦	1400	5.8	14 lbs. (6 kg)

Model	Voltage	Watts	Amps	Shipping Weight
GRAH-66	120	1560	13.0	16 lbs. (7 kg)
	208	1560	7.5	16 lbs. (7 kg)
	240	1560	6.5	16 lbs. (7 kg)
	100	1560	15.6	16 lbs. (7 kg)
	200	1560	7.8	16 lbs. (7 kg)
	220♦	1560	7.1	16 lbs. (7 kg)
	240♦	1560	6.5	16 lbs. (7 kg)
GRAH-72	120	1725	14.4	17 lbs. (8 kg)
	208	1725	8.3	17 lbs. (8 kg)
	240	1725	7.2	17 lbs. (8 kg)
	100	1725	17.3	17 lbs. (8 kg)
	200	1725	8.6	17 lbs. (8 kg)
	220♦	1725	7.8	17 lbs. (8 kg)
	240♦	1725	7.2	17 lbs. (8 kg)
GRAH-84•■	120	2050	17.1	19 lbs. (9 kg)
	208	2050	9.9	19 lbs. (9 kg)
	240	2050	8.5	19 lbs. (9 kg)
	100	2050	20.5	19 lbs. (9 kg)
	200	2050	10.3	19 lbs. (9 kg)
	220♦	2050	9.3	19 lbs. (9 kg)
	240♦	2050	8.5	19 lbs. (9 kg)
GRAH-96•■	120	2400	20.0	21 lbs. (10 kg)
	208	2400	11.5	21 lbs. (10 kg)
	240	2400	10.0	21 lbs. (10 kg)
	100	2400	24.0	21 lbs. (10 kg)
	200	2400	12.0	21 lbs. (10 kg)
	220♦	2400	10.9	21 lbs. (10 kg)
	240♦	2400	10.0	21 lbs. (10 kg)
GRAH-108•†	120	2500	20.8	23 lbs. (10 kg)
	208	2500	12.0	23 lbs. (10 kg)
	240	2500	10.4	23 lbs. (10 kg)
	100	2500	25.0	23 lbs. (10 kg)
	200	2500	12.5	23 lbs. (10 kg)
	220	2500	11.4	23 lbs. (10 kg)
	240	2500	10.4	23 lbs. (10 kg)
GRAH-120•†	120	2800	22.5	26 lbs. (12 kg)
	208	2800	13.5	26 lbs. (12 kg)
	240	2800	11.7	26 lbs. (12 kg)
	100	2800	28.0	26 lbs. (12 kg)
	200	2800	14.0	26 lbs. (12 kg)
	220	2800	12.7	26 lbs. (12 kg)
	240	2800	11.7	26 lbs. (12 kg)
GRAH-132†	120	3120	26.0	30 lbs. (14 kg)
	208	3120	15.0	30 lbs. (14 kg)
	240	3120	13.0	30 lbs. (14 kg)
	100	3120	31.2	30 lbs. (14 kg)
	200	3120	15.6	30 lbs. (14 kg)
	220	3120	14.2	30 lbs. (14 kg)
	240	3120	13.0	30 lbs. (14 kg)
GRAH-144†	120	3450	28.8	33 lbs. (15 kg)
	208	3450	16.6	33 lbs. (15 kg)
	240	3450	14.4	33 lbs. (15 kg)
	100	3450	34.5	33 lbs. (15 kg)
	200	3450	17.3	33 lbs. (15 kg)
	220	3450	15.7	33 lbs. (15 kg)
	240	3450	14.4	33 lbs. (15 kg)

The shaded areas contain electrical information for **International models only**.

♦ CE approved units for 220–230 V utilize a 220 V heating system; 230–240 V CE units utilize a 240 V heating system.

• 100 V and 120 V models with infinite switch require tandem (end-to-end) elements, consult factory for applications.

■ 100 V and 120 V models may require additional switches, consult factory for applications.

† Glo-Ray models 108"–144" and 120 V models of GRA-84 and GRA-96 contain tandem (end-to-end) elements that may be individually controlled.

GRAL Models

Model	Voltage	Watts	Amps	Shipping Weight
GRAL-18	120	370	3.1	9 lbs. (4 kg)
	120/208	370	2.2	9 lbs. (4 kg)
	120/240	370	2.0	9 lbs. (4 kg)
	100	370	3.7	9 lbs. (4 kg)
	100/200	370	2.5	9 lbs. (4 kg)
	220♦	370	1.7	9 lbs. (4 kg)
	240♦	370	1.5	9 lbs. (4 kg)
GRAL-24	120	470	3.9	10 lbs. (5 kg)
	120/208	470	2.7	10 lbs. (5 kg)
	120/240	470	2.5	10 lbs. (5 kg)
	100	470	4.7	10 lbs. (5 kg)
	100/200	470	3.0	10 lbs. (5 kg)
	220♦	470	2.1	10 lbs. (5 kg)
	240♦	470	2.0	10 lbs. (5 kg)
GRAL-30	120	570	4.8	11 lbs. (5 kg)
	120/208	570	3.2	11 lbs. (5 kg)
	120/240	570	2.9	11 lbs. (5 kg)
	100	570	5.7	11 lbs. (5 kg)
	100/200	570	3.5	11 lbs. (5 kg)
	220♦	570	2.6	11 lbs. (5 kg)
	240♦	570	2.4	11 lbs. (5 kg)
GRAL-36	120	755	6.3	13 lbs. (6 kg)
	120/208	755	4.3	13 lbs. (6 kg)
	120/240	755	3.9	13 lbs. (6 kg)
	100	755	7.6	13 lbs. (6 kg)
	100/200	755	4.7	13 lbs. (6 kg)
	220♦	755	3.4	13 lbs. (6 kg)
	240♦	755	3.1	13 lbs. (6 kg)
GRAL-42	120	855	7.1	15 lbs. (7 kg)
	120/208	855	4.7	15 lbs. (7 kg)
	120/240	855	4.3	15 lbs. (7 kg)
	100	855	8.6	15 lbs. (7 kg)
	100/200	855	5.2	15 lbs. (7 kg)
	220♦	855	3.9	15 lbs. (7 kg)
	240♦	855	3.6	15 lbs. (7 kg)
GRAL-48	120	1040	8.7	17 lbs. (8 kg)
	120/208	1040	5.8	17 lbs. (8 kg)
	120/240	1040	5.3	17 lbs. (8 kg)
	100	1040	10.4	17 lbs. (8 kg)
	100/200	1040	6.4	17 lbs. (8 kg)
	220♦	1040	4.7	17 lbs. (8 kg)
	240♦	1040	4.3	17 lbs. (8 kg)
GRAL-54	120	1165	9.7	19 lbs. (9 kg)
	120/208	1165	6.4	19 lbs. (9 kg)
	120/240	1165	5.9	19 lbs. (9 kg)
	100	1165	11.7	19 lbs. (9 kg)
	100/200	1165	7.0	19 lbs. (9 kg)
	220♦	1165	5.3	19 lbs. (9 kg)
	240♦	1165	4.9	19 lbs. (9 kg)
GRAL-60	120	1350	11.3	21 lbs. (10 kg)
	120/208	1350	7.5	21 lbs. (10 kg)
	120/240	1350	6.9	21 lbs. (10 kg)
	100	1350	13.5	21 lbs. (10 kg)
	100/200	1350	8.3	21 lbs. (10 kg)
	220♦	1350	6.1	21 lbs. (10 kg)
	240♦	1350	5.6	21 lbs. (10 kg)

Model	Voltage	Watts	Amps	Shipping Weight
GRAL-66	120	1460	12.2	22 lbs. (10 kg)
	120/208	1460	8.1	22 lbs. (10 kg)
	120/240	1460	7.3	22 lbs. (10 kg)
	100	1460	14.6	22 lbs. (10 kg)
	100/200	1460	8.8	22 lbs. (10 kg)
	220♦	1460	6.6	22 lbs. (10 kg)
	240♦	1460	6.1	22 lbs. (10 kg)
GRAL-72	120	1635	13.6	24 lbs. (11 kg)
	120/208	1635	9.1	24 lbs. (11 kg)
	120/240	1635	8.3	24 lbs. (11 kg)
	100	1635	16.4	24 lbs. (11 kg)
	100/200	1635	10.0	24 lbs. (11 kg)
	220♦	1635	7.4	24 lbs. (11 kg)
	240♦	1635	6.8	24 lbs. (11 kg)
GRAL-84■	120	1920	16.0	28 lbs. (13 kg)
	120/208	1920	10.7	28 lbs. (13 kg)
	120/240	1920	9.8	28 lbs. (13 kg)
	100	1920	19.2	28 lbs. (13 kg)
	100/200	1920	11.7	28 lbs. (13 kg)
	220♦	1920	8.7	28 lbs. (13 kg)
	240♦	1920	8.0	28 lbs. (13 kg)
GRAL-96■	120	2205	18.4	32 lbs. (15 kg)
	120/208	2205	12.3	32 lbs. (15 kg)
	120/240	2205	11.2	32 lbs. (15 kg)
	100	2205	22.1	32 lbs. (15 kg)
	100/200	2205	13.4	32 lbs. (15 kg)
	220♦	2205	10.0	32 lbs. (15 kg)
	240♦	2205	9.2	32 lbs. (15 kg)
GRAL-108†	120	2390	19.9	36 lbs. (16 kg)
	208	2390	13.4	36 lbs. (16 kg)
	240	2390	12.2	36 lbs. (16 kg)
	100	2390	23.9	36 lbs. (16 kg)
	200	2390	14.7	36 lbs. (16 kg)
	220	2390	10.9	36 lbs. (16 kg)
	240	2390	10.0	36 lbs. (16 kg)
GRAL-120†*	120	2700	22.5	40 lbs. (18 kg)
	120/208	2700	15.1	40 lbs. (18 kg)
	120/240	2700	13.8	40 lbs. (18 kg)
	100	2700	27.0	40 lbs. (18 kg)
	100/200	2700	16.5	40 lbs. (18 kg)
	220	2700	12.3	40 lbs. (18 kg)
	240	2700	11.3	40 lbs. (18 kg)
GRAL-132†*	120	2980	24.8	44 lbs. (20 kg)
	120/208	2980	16.7	44 lbs. (20 kg)
	120/240	2980	15.2	44 lbs. (20 kg)
	100	2980	29.8	44 lbs. (20 kg)
	100/200	2980	18.2	44 lbs. (20 kg)
	220	2980	13.5	44 lbs. (20 kg)
	240	2980	12.4	44 lbs. (20 kg)
GRAL-144†*	120	3270	27.3	48 lbs. (22 kg)
	120/208	3270	18.3	48 lbs. (22 kg)
	120/240	3270	16.6	48 lbs. (22 kg)
	100	3270	32.7	48 lbs. (22 kg)
	100/200	3270	20.0	48 lbs. (22 kg)
	220	3270	14.9	48 lbs. (22 kg)
	240	3270	13.6	48 lbs. (22 kg)

The shaded areas contain electrical information for **International models only**.

NOTE: GRAL and GRAHL models that have multiple voltages listed, such as 120/208, 120/240 or 100/200, have multiple circuits. For example, a 120/208 V unit utilizes 120 V for the light circuit and 208 V for the heat circuit(s). Consult the electrical diagram supplied with the unit for specific information.



Strip heaters equipped with incandescent lights that require a circuit breaker larger than 20 amps for the heat element must have a separate circuit breaker for the incandescent lights that is 20 amps or less.

GRAHL Models

Model	Voltage	Watts	Amps	Shipping Weight
GRAHL-18	120	470	3.9	9 lbs. (4 kg)
	120/208	470	2.7	9 lbs. (4 kg)
	120/240	470	2.5	9 lbs. (4 kg)
	100	470	4.7	9 lbs. (4 kg)
	100/200	470	3.0	9 lbs. (4 kg)
	220♦	470	2.1	9 lbs. (4 kg)
	240♦	470	2.0	9 lbs. (4 kg)
GRAHL-24	120	620	5.2	10 lbs. (5 kg)
	120/208	620	3.4	10 lbs. (5 kg)
	120/240	620	3.1	10 lbs. (5 kg)
	100	620	6.2	10 lbs. (5 kg)
	100/200	620	3.7	10 lbs. (5 kg)
	220♦	620	2.8	10 lbs. (5 kg)
	240♦	620	2.6	10 lbs. (5 kg)
GRAHL-30	120	780	6.5	11 lbs. (5 kg)
	120/208	780	4.2	11 lbs. (5 kg)
	120/240	780	3.8	11 lbs. (5 kg)
	100	780	7.8	11 lbs. (5 kg)
	100/200	780	4.5	11 lbs. (5 kg)
	220♦	780	3.5	11 lbs. (5 kg)
	240♦	780	3.3	11 lbs. (5 kg)
GRAHL-36	120	980	8.2	13 lbs. (6 kg)
	120/208	980	5.3	13 lbs. (6 kg)
	120/240	980	4.8	13 lbs. (6 kg)
	100	980	9.8	13 lbs. (6 kg)
	100/200	980	5.8	13 lbs. (6 kg)
	220♦	980	4.5	13 lbs. (6 kg)
	240♦	980	4.1	13 lbs. (6 kg)
GRAHL-42	120	1130	9.4	15 lbs. (7 kg)
	120/208	1130	6.1	15 lbs. (7 kg)
	120/240	1130	5.5	15 lbs. (7 kg)
	100	1130	11.3	15 lbs. (7 kg)
	100/200	1130	6.6	15 lbs. (7 kg)
	220♦	1130	5.1	15 lbs. (7 kg)
	240♦	1130	4.7	15 lbs. (7 kg)
GRAHL-48	120	1340	11.2	17 lbs. (8 kg)
	120/208	1340	7.3	17 lbs. (8 kg)
	120/240	1340	6.6	17 lbs. (8 kg)
	100	1340	13.4	17 lbs. (8 kg)
	100/200	1340	7.9	17 lbs. (8 kg)
	220♦	1340	6.1	17 lbs. (8 kg)
	240♦	1340	5.6	17 lbs. (8 kg)
GRAHL-54	120	1490	12.4	19 lbs. (9 kg)
	120/208	1490	8.0	19 lbs. (9 kg)
	120/240	1490	7.2	19 lbs. (9 kg)
	100	1490	14.9	19 lbs. (9 kg)
	100/200	1490	8.7	19 lbs. (9 kg)
	220♦	1490	6.8	19 lbs. (9 kg)
	240♦	1490	6.2	19 lbs. (9 kg)
GRAHL-60	120	1700	14.2	21 lbs. (10 kg)
	120/208	1700	9.2	21 lbs. (10 kg)
	120/240	1700	8.3	21 lbs. (10 kg)
	100	1700	17.0	21 lbs. (10 kg)
	100/200	1700	10.0	21 lbs. (10 kg)
	220♦	1700	7.7	21 lbs. (10 kg)
	240♦	1700	7.1	21 lbs. (10 kg)

Model	Voltage	Watts	Amps	Shipping Weight
GRAHL-66■	120	1860	15.5	22 lbs. (10 kg)
	120/208	1860	10.0	22 lbs. (10 kg)
	120/240	1860	9.0	22 lbs. (10 kg)
	100	1860	18.6	22 lbs. (10 kg)
	100/200	1860	10.8	22 lbs. (10 kg)
	220♦	1860	8.5	22 lbs. (10 kg)
	240♦	1860	7.8	22 lbs. (10 kg)
GRAHL-72■	120	2085	17.4	24 lbs. (11 kg)
	120/208	2085	11.3	24 lbs. (11 kg)
	120/240	2085	10.2	24 lbs. (11 kg)
	100	2085	20.9	24 lbs. (11 kg)
	100/200	2085	12.2	24 lbs. (11 kg)
	220♦	2085	9.5	24 lbs. (11 kg)
	240♦	2085	8.7	24 lbs. (11 kg)
GRAHL-84■	120	2470	20.6	28 lbs. (13 kg)
	120/208	2470	13.4	28 lbs. (13 kg)
	120/240	2470	12.0	28 lbs. (13 kg)
	100	2470	24.7	28 lbs. (13 kg)
	100/200	2470	14.5	28 lbs. (13 kg)
	220♦	2470	11.2	28 lbs. (13 kg)
	240♦	2470	10.3	28 lbs. (13 kg)
GRAHL-96■	120	2880	24.0	32 lbs. (15 kg)
	120/208	2880	15.5	32 lbs. (15 kg)
	120/240	2880	14.0	32 lbs. (15 kg)
	100	2880	28.8	32 lbs. (15 kg)
	100/200	2880	16.8	32 lbs. (15 kg)
	220♦	2880	13.1	32 lbs. (15 kg)
	240♦	2880	12.0	32 lbs. (15 kg)
GRAHL-108†	120	3040	25.3	36 lbs. (16 kg)
	208	3040	16.5	36 lbs. (16 kg)
	240	3040	14.9	36 lbs. (16 kg)
	100	3040	30.4	36 lbs. (16 kg)
	200	3040	17.9	36 lbs. (16 kg)
	220	3040	13.8	36 lbs. (16 kg)
	240	3040	12.7	36 lbs. (16 kg)
GRAHL-120†*	120	3400	28.3	40 lbs. (18 kg)
	120/208	3400	18.5	40 lbs. (18 kg)
	120/240	3400	16.7	40 lbs. (18 kg)
	100	3400	34.0	40 lbs. (18 kg)
	100/200	3400	20.0	40 lbs. (18 kg)
	220	3400	15.5	40 lbs. (18 kg)
	240	3400	14.2	40 lbs. (18 kg)
GRAHL-132†*	120	3780	31.5	44 lbs. (20 kg)
	120/208	3780	20.5	44 lbs. (20 kg)
	120/240	3780	18.5	44 lbs. (20 kg)
	100	3780	37.8	44 lbs. (20 kg)
	100/200	3780	22.2	44 lbs. (20 kg)
	220	3780	17.2	44 lbs. (20 kg)
	240	3780	15.8	44 lbs. (20 kg)
GRAHL-144†*	120	4170	34.8	48 lbs. (22 kg)
	120/208	4170	22.6	48 lbs. (22 kg)
	120/240	4170	20.4	48 lbs. (22 kg)
	100	4170	41.7	48 lbs. (22 kg)
	100/200	4170	24.5	48 lbs. (22 kg)
	220	4170	19.0	48 lbs. (22 kg)
	240	4170	17.4	48 lbs. (22 kg)

* Not available in 100 or 120 V.

♦ CE approved units for 220–230 V utilize a 220 V heating system; 230–240 V CE units utilize a 240 V heating system.

• 100 V and 120 V models with infinite switch require tandem (end-to-end) elements, consult factory for applications.

■ 100 V and 120 V models may require additional switches, consult factory for applications.

† Glo-Ray models 108"–144" and 120 V models of GRA-84 and GRA-96 contain tandem (end-to-end) elements that may be individually controlled.

GRA-XXD Models

Model	Voltage	Watts	Amps	Shipping Weight
GRA-18D	120	500	4.2	14 lbs. (6 kg)
	208	500	2.4	14 lbs. (6 kg)
	240	500	2.1	14 lbs. (6 kg)
	100	500	5.0	14 lbs. (6 kg)
	200	500	2.5	14 lbs. (6 kg)
	220♦	500	2.3	14 lbs. (6 kg)
	240♦	500	2.1	14 lbs. (6 kg)
GRA-24D	120	700	5.8	16 lbs. (7 kg)
	208	700	3.4	16 lbs. (7 kg)
	240	700	2.9	16 lbs. (7 kg)
	100	700	7.0	16 lbs. (7 kg)
	200	700	3.5	16 lbs. (7 kg)
	220♦	700	3.2	16 lbs. (7 kg)
	240♦	700	2.9	16 lbs. (7 kg)
GRA-30D	120	900	7.5	18 lbs. (8 kg)
	208	900	4.3	18 lbs. (8 kg)
	240	900	3.8	18 lbs. (8 kg)
	100	900	9.0	18 lbs. (8 kg)
	200	900	4.5	18 lbs. (8 kg)
	220♦	900	4.1	18 lbs. (8 kg)
	240♦	900	3.8	18 lbs. (8 kg)
GRA-36D■	120	1150	9.6	21 lbs. (10 kg)
	208	1150	5.5	21 lbs. (10 kg)
	240	1150	4.8	21 lbs. (10 kg)
	100	1150	11.5	21 lbs. (10 kg)
	200	1150	5.8	21 lbs. (10 kg)
	220♦	1150	5.2	21 lbs. (10 kg)
	240♦	1150	4.8	21 lbs. (10 kg)
GRA-42D■	120	1350	11.3	24 lbs. (11 kg)
	208	1350	6.5	24 lbs. (11 kg)
	240	1350	5.6	24 lbs. (11 kg)
	100	1350	13.5	24 lbs. (11 kg)
	200	1350	6.8	24 lbs. (11 kg)
	220♦	1350	6.1	24 lbs. (11 kg)
	240♦	1350	5.6	24 lbs. (11 kg)
GRA-48D■	120	1600	13.3	27 lbs. (12 kg)
	208	1600	7.7	27 lbs. (12 kg)
	240	1600	6.7	27 lbs. (12 kg)
	100	1600	16.0	27 lbs. (12 kg)
	200	1600	8.0	27 lbs. (12 kg)
	220♦	1600	7.3	27 lbs. (12 kg)
	240♦	1600	6.7	27 lbs. (12 kg)
GRA-54D■	120	1850	15.4	30 lbs. (14 kg)
	208	1850	8.9	30 lbs. (14 kg)
	240	1850	7.7	30 lbs. (14 kg)
	100	1850	18.5	30 lbs. (14 kg)
	200	1850	9.3	30 lbs. (14 kg)
	220♦	1850	8.4	30 lbs. (14 kg)
	240♦	1850	7.7	30 lbs. (14 kg)
GRA-60D■	120	2100	17.5	34 lbs. (15 kg)
	208	2100	10.1	34 lbs. (15 kg)
	240	2100	8.8	34 lbs. (15 kg)
	100	2100	21.0	34 lbs. (15 kg)
	200	2100	10.5	34 lbs. (15 kg)
	220♦	2100	9.5	34 lbs. (15 kg)
	240♦	2100	8.8	34 lbs. (15 kg)

Model	Voltage	Watts	Amps	Shipping Weight
GRA-66D■	120	2320	19.3	37 lbs. (17 kg)
	208	2320	11.2	37 lbs. (17 kg)
	240	2320	9.7	37 lbs. (17 kg)
	100	2320	23.2	37 lbs. (17 kg)
	200	2320	11.6	37 lbs. (17 kg)
	220♦	2320	10.5	37 lbs. (17 kg)
	240♦	2320	9.7	37 lbs. (17 kg)
GRA-72D■	120	2550	21.3	41 lbs. (19 kg)
	208	2550	12.3	41 lbs. (19 kg)
	240	2550	10.6	41 lbs. (19 kg)
	100	2550	25.5	41 lbs. (19 kg)
	200	2550	12.8	41 lbs. (19 kg)
	220♦	2550	11.6	41 lbs. (19 kg)
	240♦	2550	10.6	41 lbs. (19 kg)
GRA-84D†■	120	3000	25.0	44 lbs. (20 kg)
	208	3000	14.4	44 lbs. (20 kg)
	240	3000	12.5	44 lbs. (20 kg)
	100	3000	30.0	44 lbs. (20 kg)
	200	3000	15.0	44 lbs. (20 kg)
	220♦	3000	13.6	44 lbs. (20 kg)
	240♦	3000	12.5	44 lbs. (20 kg)
GRA-96D†■	120	3450	28.8	52 lbs. (24 kg)
	208	3450	16.6	52 lbs. (24 kg)
	240	3450	14.4	52 lbs. (24 kg)
	100	3450	34.5	52 lbs. (24 kg)
	200	3450	17.3	52 lbs. (24 kg)
	220♦	3450	15.7	52 lbs. (24 kg)
	240♦	3450	14.4	52 lbs. (24 kg)
GRA-108D†■	120	3700	30.8	59 lbs. (27 kg)
	208	3700	17.8	59 lbs. (27 kg)
	240	3700	15.4	59 lbs. (27 kg)
	100	3700	37.0	59 lbs. (27 kg)
	200	3700	18.5	59 lbs. (27 kg)
	220	3700	16.8	59 lbs. (27 kg)
	240	3700	15.4	59 lbs. (27 kg)
GRA-120D†	120	4200	35.0	66 lbs. (30 kg)
	208	4200	20.2	66 lbs. (30 kg)
	240	4200	17.5	66 lbs. (30 kg)
	100	4200	42.0	66 lbs. (30 kg)
	200	4200	21.0	66 lbs. (30 kg)
	220	4200	19.1	66 lbs. (30 kg)
	240	4200	17.5	66 lbs. (30 kg)
GRA-132D†	120	4640	38.7	73 lbs. (33 kg)
	208	4640	22.3	73 lbs. (33 kg)
	240	4640	19.3	73 lbs. (33 kg)
	100	4640	46.4	73 lbs. (33 kg)
	200	4640	23.2	73 lbs. (33 kg)
	220	4640	21.1	73 lbs. (33 kg)
	240	4640	19.3	73 lbs. (33 kg)
GRA-144D†	120	5100	42.5	80 lbs. (36 kg)
	208	5100	24.5	80 lbs. (36 kg)
	240	5100	21.3	80 lbs. (36 kg)
	100	5100	51.0	80 lbs. (36 kg)
	200	5100	25.5	80 lbs. (36 kg)
	220	5100	23.2	80 lbs. (36 kg)
	240	5100	21.3	80 lbs. (36 kg)

The shaded areas contain electrical information for **International models only**.

♦ CE approved units for 220–230 V utilize a 220 V heating system; 230–240 V CE units utilize a 240 V heating system.

• 100 V and 120 V models with infinite switch require tandem (end-to-end) elements, consult factory for applications.

■ 100 V and 120 V models may require additional switches, consult factory for applications.

† Glo-Ray models 108"–144" and 120 V models of GRA-84 and GRA-96 contain tandem (end-to-end) elements that may be individually controlled.



GRAH-XXD Models

Model	Voltage	Watts	Amps	Shipping Weight
GRAH-18D	120	700	5.8	14 lbs. (6 kg)
	208	700	3.4	14 lbs. (6 kg)
	240	700	2.9	14 lbs. (6 kg)
	100	700	7.0	14 lbs. (6 kg)
	200	700	3.5	14 lbs. (6 kg)
	220♦	700	3.2	14 lbs. (6 kg)
	240♦	700	2.9	14 lbs. (6 kg)
GRAH-24D	120	1000	8.3	16 lbs. (7 kg)
	208	1000	4.8	16 lbs. (7 kg)
	240	1000	4.2	16 lbs. (7 kg)
	100	1000	10.0	16 lbs. (7 kg)
	200	1000	5.0	16 lbs. (7 kg)
	220♦	1000	4.5	16 lbs. (7 kg)
	240♦	1000	4.2	16 lbs. (7 kg)
GRAH-30D	120	1320	11.0	18 lbs. (8 kg)
	208	1320	6.3	18 lbs. (8 kg)
	240	1320	5.5	18 lbs. (8 kg)
	100	1320	13.2	18 lbs. (8 kg)
	200	1320	6.6	18 lbs. (8 kg)
	220♦	1320	6.0	18 lbs. (8 kg)
	240♦	1320	5.5	18 lbs. (8 kg)
GRAH-36D■	120	1600	13.3	21 lbs. (10 kg)
	208	1600	7.7	21 lbs. (10 kg)
	240	1600	6.7	21 lbs. (10 kg)
	100	1600	16.0	21 lbs. (10 kg)
	200	1600	8.0	21 lbs. (10 kg)
	220♦	1600	7.3	21 lbs. (10 kg)
	240♦	1600	6.7	21 lbs. (10 kg)
GRAH-42D■	120	1900	15.8	24 lbs. (11 kg)
	208	1900	9.1	24 lbs. (11 kg)
	240	1900	7.9	24 lbs. (11 kg)
	100	1900	19.0	24 lbs. (11 kg)
	200	1900	9.5	24 lbs. (11 kg)
	220♦	1900	8.6	24 lbs. (11 kg)
	240♦	1900	7.9	24 lbs. (11 kg)
GRAH-48D■	120	2200	18.3	27 lbs. (12 kg)
	208	2200	10.6	27 lbs. (12 kg)
	240	2200	9.2	27 lbs. (12 kg)
	100	2200	22.0	27 lbs. (12 kg)
	200	2200	11.0	27 lbs. (12 kg)
	220♦	2200	10.0	27 lbs. (12 kg)
	240♦	2200	9.2	27 lbs. (12 kg)
GRAH-54D■	120	2500	20.8	30 lbs. (14 kg)
	208	2500	12.0	30 lbs. (14 kg)
	240	2500	10.4	30 lbs. (14 kg)
	100	2500	25.0	30 lbs. (14 kg)
	200	2500	12.5	30 lbs. (14 kg)
	220♦	2500	11.4	30 lbs. (14 kg)
	240♦	2500	10.4	30 lbs. (14 kg)
GRAH-60D■	120	2800	23.3	34 lbs. (15 kg)
	208	2800	13.5	34 lbs. (15 kg)
	240	2800	11.7	34 lbs. (15 kg)
	100	2800	28.0	34 lbs. (15 kg)
	200	2800	14.0	34 lbs. (15 kg)
	220♦	2800	12.7	34 lbs. (15 kg)
	240♦	2800	11.7	34 lbs. (15 kg)

Model	Voltage	Watts	Amps	Shipping Weight
GRAH-66D■	120	3120	26.0	37 lbs. (17 kg)
	208	3120	15.0	37 lbs. (17 kg)
	240	3120	13.0	37 lbs. (17 kg)
	100	3120	31.2	37 lbs. (17 kg)
	200	3120	15.6	37 lbs. (17 kg)
	220♦	3120	14.2	37 lbs. (17 kg)
	240♦	3120	13.0	37 lbs. (17 kg)
GRAH-72D■	120	3450	28.8	41 lbs. (19 kg)
	208	3450	16.6	41 lbs. (19 kg)
	240	3450	14.4	41 lbs. (19 kg)
	100	3450	34.5	41 lbs. (19 kg)
	200	3450	17.3	41 lbs. (19 kg)
	220♦	3450	15.7	41 lbs. (19 kg)
	240♦	3450	14.4	41 lbs. (19 kg)
GRAH-84D†■	120	4100	34.2	44 lbs. (20 kg)
	208	4100	19.7	44 lbs. (20 kg)
	240	4100	17.1	44 lbs. (20 kg)
	100	4100	41.0	44 lbs. (20 kg)
	200	4100	20.5	44 lbs. (20 kg)
	220♦	4100	18.6	44 lbs. (20 kg)
	240♦	4100	17.1	44 lbs. (20 kg)
GRAH-96D†■	120	4800	40.0	52 lbs. (24 kg)
	208	4800	23.1	52 lbs. (24 kg)
	240	4800	20.0	52 lbs. (24 kg)
	100	4800	48.0	52 lbs. (24 kg)
	200	4800	24.0	52 lbs. (24 kg)
	220♦	4800	21.8	52 lbs. (24 kg)
	240♦	4800	20.0	52 lbs. (24 kg)
GRAH-108D†■	120	5000	41.7	59 lbs. (27 kg)
	208	5000	24.0	59 lbs. (27 kg)
	240	5000	20.8	59 lbs. (27 kg)
	100	5000	50.0	59 lbs. (27 kg)
	200	5000	25.0	59 lbs. (27 kg)
	220	5000	22.7	59 lbs. (27 kg)
	240	5000	20.8	59 lbs. (27 kg)
GRAH-120D†*	208	5600	26.9	66 lbs. (30 kg)
	240	5600	23.3	66 lbs. (30 kg)
	100	5600	---	66 lbs. (30 kg)
	200	5600	28.0	66 lbs. (30 kg)
	220	5600	25.5	66 lbs. (30 kg)
	240	5600	23.3	66 lbs. (30 kg)
GRAH-132D†*	208	6240	30.0	73 lbs. (33 kg)
	240	6240	26.0	73 lbs. (33 kg)
	100	6240	---	73 lbs. (33 kg)
	200	6240	31.2	73 lbs. (33 kg)
	220	6240	28.4	73 lbs. (33 kg)
	240	6240	26.0	73 lbs. (33 kg)
GRAH-144D†*	208	6900	33.2	80 lbs. (36 kg)
	240	6900	28.8	80 lbs. (36 kg)
	100	6900	---	80 lbs. (36 kg)
	200	6900	34.5	80 lbs. (36 kg)
	220	6900	31.4	80 lbs. (36 kg)
	240	6900	28.8	80 lbs. (36 kg)

* Not available in 100 or 120 V.

♦ CE approved units for 220–230 V utilize a 220 V heating system; 230–240 V CE units utilize a 240 V heating system.

• 100 V and 120 V models with infinite switch require tandem (end-to-end) elements, consult factory for applications.

■ 100 V and 120 V models may require additional switches, consult factory for applications.

† Glo-Ray models 108"–144" and 120 V models of GRA-84 and GRA-96 contain tandem (end-to-end) elements that may be individually controlled.

GRAL-XXD Models

Model	Voltage	Watts	Amps	Shipping Weight
GRAL-18D	120	620	5.2	14 lbs. (6 kg)
	120/208	620	3.4	14 lbs. (6 kg)
	120/240	620	3.1	14 lbs. (6 kg)
	100	620	6.2	14 lbs. (6 kg)
	100/200	620	3.7	14 lbs. (6 kg)
	220♦	620	2.8	14 lbs. (6 kg)
	240♦	620	2.6	14 lbs. (6 kg)
GRAL-24D	120	820	6.8	16 lbs. (7 kg)
	120/208	820	4.4	16 lbs. (7 kg)
	120/240	820	3.9	16 lbs. (7 kg)
	100	820	8.2	16 lbs. (7 kg)
	100/200	820	4.7	16 lbs. (7 kg)
	220♦	820	3.7	16 lbs. (7 kg)
	240♦	820	3.4	16 lbs. (7 kg)
GRAL-30D	120	1020	8.5	19 lbs. (9 kg)
	120/208	1020	5.3	19 lbs. (9 kg)
	120/240	1020	4.8	19 lbs. (9 kg)
	100	1020	10.2	19 lbs. (9 kg)
	100/200	1020	5.7	19 lbs. (9 kg)
	220♦	1020	4.6	19 lbs. (9 kg)
	240♦	1020	4.3	19 lbs. (9 kg)
GRAL-36D	120	1330	11.1	22 lbs. (10 kg)
	120/208	1330	7.0	22 lbs. (10 kg)
	120/240	1330	6.3	22 lbs. (10 kg)
	100	1330	13.3	22 lbs. (10 kg)
	100/200	1330	7.6	22 lbs. (10 kg)
	220♦	1330	6.0	22 lbs. (10 kg)
	240♦	1330	5.5	22 lbs. (10 kg)
GRAL-42D	120	1530	12.8	25 lbs. (11 kg)
	120/208	1530	8.0	25 lbs. (11 kg)
	120/240	1530	7.1	25 lbs. (11 kg)
	100	1530	15.3	25 lbs. (11 kg)
	100/200	1530	8.6	25 lbs. (11 kg)
	220♦	1530	7.0	25 lbs. (11 kg)
	240♦	1530	6.4	25 lbs. (11 kg)
GRAL-48D■	120	1840	15.3	29 lbs. (13 kg)
	120/208	1840	9.7	29 lbs. (13 kg)
	120/240	1840	8.7	29 lbs. (13 kg)
	100	1840	18.4	29 lbs. (13 kg)
	100/200	1840	10.4	29 lbs. (13 kg)
	220♦	1840	8.4	29 lbs. (13 kg)
	240♦	1840	7.7	29 lbs. (13 kg)
GRAL-54D■	120	2090	17.4	33 lbs. (15 kg)
	120/208	2090	10.9	33 lbs. (15 kg)
	120/240	2090	9.7	33 lbs. (15 kg)
	100	2090	20.9	33 lbs. (15 kg)
	100/200	2090	11.7	33 lbs. (15 kg)
	220♦	2090	9.5	33 lbs. (15 kg)
	240♦	2090	8.7	33 lbs. (15 kg)
GRAL-60D■	120	2400	20.0	37 lbs. (17 kg)
	120/208	2400	12.6	37 lbs. (17 kg)
	120/240	2400	11.3	37 lbs. (17 kg)
	100	2400	24.0	37 lbs. (17 kg)
	100/200	2400	13.5	37 lbs. (17 kg)
	220♦	2400	10.9	37 lbs. (17 kg)
	240♦	2400	10.0	37 lbs. (17 kg)

Model	Voltage	Watts	Amps	Shipping Weight
GRAL-66D■	120	2620	21.8	40 lbs. (18 kg)
	120/208	2620	13.7	40 lbs. (18 kg)
	120/240	2620	12.2	40 lbs. (18 kg)
	100	2620	26.2	40 lbs. (18 kg)
	100/200	2620	14.6	40 lbs. (18 kg)
	220♦	2620	11.9	40 lbs. (18 kg)
	240♦	2620	10.9	40 lbs. (18 kg)
GRAL-72D■	120	2910	24.3	42 lbs. (19 kg)
	120/208	2910	15.3	42 lbs. (19 kg)
	120/240	2910	13.6	42 lbs. (19 kg)
	100	2910	29.1	42 lbs. (19 kg)
	100/200	2910	16.4	42 lbs. (19 kg)
	220♦	2910	13.2	42 lbs. (19 kg)
	240♦	2910	12.1	42 lbs. (19 kg)
GRAL-84D■	120	3420	28.5	47 lbs. (21 kg)
	120/208	3420	17.9	47 lbs. (21 kg)
	120/240	3420	16.0	47 lbs. (21 kg)
	100	3420	34.2	47 lbs. (21 kg)
	100/200	3420	19.2	47 lbs. (21 kg)
	220♦	3420	15.5	47 lbs. (21 kg)
	240♦	3420	14.3	47 lbs. (21 kg)
GRAL-96D■	120	3930	32.8	56 lbs. (25 kg)
	120/208	3930	20.6	56 lbs. (25 kg)
	120/240	3930	18.4	56 lbs. (25 kg)
	100	3930	39.3	56 lbs. (25 kg)
	100/200	3930	22.1	56 lbs. (25 kg)
	220♦	3930	17.9	56 lbs. (25 kg)
	240♦	3930	16.4	56 lbs. (25 kg)
GRAL-108D†■	120	4240	35.3	64 lbs. (29 kg)
	120/208	4240	22.3	64 lbs. (29 kg)
	120/240	4240	19.9	64 lbs. (29 kg)
	100	4240	42.4	64 lbs. (29 kg)
	100/200	4240	23.9	64 lbs. (29 kg)
	220♦	4240	19.3	64 lbs. (29 kg)
	240♦	4240	17.7	64 lbs. (29 kg)
GRAL-120D†*	120/208	4800	25.2	72 lbs. (33 kg)
	120/240	4800	22.5	72 lbs. (33 kg)
	100	4800	---	72 lbs. (33 kg)
	100/200	4800	27.0	72 lbs. (33 kg)
	220♦	4800	21.8	72 lbs. (33 kg)
	240♦	4800	20.0	72 lbs. (33 kg)
	GRAL-132D†*■	120/208	5300	27.8
120/240		5300	24.8	79 lbs. (36 kg)
100		5300	---	79 lbs. (36 kg)
100/200		5300	29.8	79 lbs. (36 kg)
220♦		5300	24.1	79 lbs. (36 kg)
240♦		5300	22.1	79 lbs. (36 kg)
GRAL-144D†*		120/208	5820	30.5
	120/240	5820	27.3	86 lbs. (39 kg)
	100	5820	---	86 lbs. (39 kg)
	100/200	5820	32.7	86 lbs. (39 kg)
	220♦	5820	26.5	86 lbs. (39 kg)
	240♦	5820	24.3	86 lbs. (39 kg)

The shaded areas contain electrical information for **International models only**.

NOTE: GRAL and GRAHL models that have multiple voltages listed, such as 120/208, 120/240 or 100/200, have multiple circuits. For example, a 120/208 V unit utilizes 120 V for the light circuit and 208 V for the heat circuit(s). Consult the electrical diagram supplied with the unit for specific information.



Strip heaters equipped with incandescent lights that require a circuit breaker larger than 20 amps for the heat element must have a separate circuit breaker for the incandescent lights that is 20 amps or less.

Electrical Rating Chart — GRAHL-XXD Models

Model	Voltage	Watts	Amps	Shipping Weight
GRAHL-18D	120	820	6.8	14 lbs. (6 kg)
	120/208	820	4.4	14 lbs. (6 kg)
	120/240	820	3.9	14 lbs. (6 kg)
	100	820	8.2	14 lbs. (6 kg)
	100/200	820	4.7	14 lbs. (6 kg)
	220♦	820	3.7	14 lbs. (6 kg)
	240♦	820	3.4	14 lbs. (6 kg)
GRAHL-24D	120	1120	9.3	16 lbs. (7 kg)
	120/208	1120	5.8	16 lbs. (7 kg)
	120/240	1120	5.2	16 lbs. (7 kg)
	100	1120	11.2	16 lbs. (7 kg)
	100/200	1120	6.2	16 lbs. (7 kg)
	220♦	1120	5.1	16 lbs. (7 kg)
	240♦	1120	4.7	16 lbs. (7 kg)
GRAHL-30D	120	1440	12.0	19 lbs. (9 kg)
	120/208	1440	7.3	19 lbs. (9 kg)
	120/240	1440	6.5	19 lbs. (9 kg)
	100	1440	14.4	19 lbs. (9 kg)
	100/200	1440	7.8	19 lbs. (9 kg)
	220♦	1440	6.5	19 lbs. (9 kg)
	240♦	1440	6.0	19 lbs. (9 kg)
GRAHL-36D■	120	1780	14.8	22 lbs. (10 kg)
	120/208	1780	9.2	22 lbs. (10 kg)
	120/240	1780	8.2	22 lbs. (10 kg)
	100	1780	17.8	22 lbs. (10 kg)
	100/200	1780	9.8	22 lbs. (10 kg)
	220♦	1780	8.1	22 lbs. (10 kg)
	240♦	1780	7.4	22 lbs. (10 kg)
GRAHL-42D■	120	2080	17.3	25 lbs. (11 kg)
	120/208	2080	10.6	25 lbs. (11 kg)
	120/240	2080	9.4	25 lbs. (11 kg)
	100	2080	20.8	25 lbs. (11 kg)
	100/200	2080	11.3	25 lbs. (11 kg)
	220♦	2080	9.5	25 lbs. (11 kg)
	240♦	2080	8.7	25 lbs. (11 kg)
GRAHL-48D■	120	2440	20.3	29 lbs. (13 kg)
	120/208	2440	12.6	29 lbs. (13 kg)
	120/240	2440	11.2	29 lbs. (13 kg)
	100	2440	24.4	29 lbs. (13 kg)
	100/200	2440	13.4	29 lbs. (13 kg)
	220♦	2440	11.1	29 lbs. (13 kg)
	240♦	2440	10.2	29 lbs. (13 kg)
GRAHL-54D■	120	2740	22.8	33 lbs. (15 kg)
	120/208	2740	14.0	33 lbs. (15 kg)
	120/240	2740	12.4	33 lbs. (15 kg)
	100	2740	27.4	33 lbs. (15 kg)
	100/200	2740	14.9	33 lbs. (15 kg)
	220♦	2740	12.5	33 lbs. (15 kg)
	240♦	2740	11.4	33 lbs. (15 kg)
GRAHL-60D■	120	3100	25.8	37 lbs. (17 kg)
	120/208	3100	16.0	37 lbs. (17 kg)
	120/240	3100	14.2	37 lbs. (17 kg)
	100	3100	31.0	37 lbs. (17 kg)
	100/200	3100	17.0	37 lbs. (17 kg)
	220♦	3100	14.1	37 lbs. (17 kg)
	240♦	3100	12.9	37 lbs. (17 kg)

Model	Voltage	Watts	Amps	Shipping Weight
GRAHL-66D■	120	3420	28.5	40 lbs. (18 kg)
	120/208	3420	17.5	40 lbs. (18 kg)
	120/240	3420	15.5	40 lbs. (18 kg)
	100	3420	34.2	40 lbs. (18 kg)
	100/200	3420	18.6	40 lbs. (18 kg)
	220♦	3420	15.5	40 lbs. (18 kg)
	240♦	3420	14.3	40 lbs. (18 kg)
GRAHL-72D■	120	3810	31.8	42 lbs. (19 kg)
	120/208	3810	19.6	42 lbs. (19 kg)
	120/240	3810	17.4	42 lbs. (19 kg)
	100	3810	38.1	42 lbs. (19 kg)
	100/200	3810	20.9	42 lbs. (19 kg)
	220♦	3810	17.3	42 lbs. (19 kg)
	240♦	3810	15.9	42 lbs. (19 kg)
GRAHL-84D†■	120	4520	37.7	47 lbs. (21 kg)
	120/208	4520	23.2	47 lbs. (21 kg)
	120/240	4520	20.6	47 lbs. (21 kg)
	100	4520	45.2	47 lbs. (21 kg)
	100/200	4520	24.7	47 lbs. (21 kg)
	220♦	4520	20.5	47 lbs. (21 kg)
	240♦	4520	18.8	47 lbs. (21 kg)
GRAHL-96D†■	120	5280	44.0	56 lbs. (25 kg)
	120/208	5280	27.1	56 lbs. (25 kg)
	120/240	5280	24.0	56 lbs. (25 kg)
	100	5280	52.8	56 lbs. (25 kg)
	100/200	5280	28.8	56 lbs. (25 kg)
	220♦	5280	24.0	56 lbs. (25 kg)
	240♦	5280	22.0	56 lbs. (25 kg)
GRAHL-108D†■	120	5540	46.2	64 lbs. (29 kg)
	120/208	5540	28.5	64 lbs. (29 kg)
	120/240	5540	25.3	64 lbs. (29 kg)
	100	5540	55.4	64 lbs. (29 kg)
	100/200	5540	30.4	64 lbs. (29 kg)
	220♦	5540	25.2	64 lbs. (29 kg)
	240♦	5540	23.1	64 lbs. (29 kg)
GRAHL-120D†*	120/208	6200	31.9	72 lbs. (33 kg)
	120/240	6200	28.3	72 lbs. (33 kg)
	100	6200	---	72 lbs. (33 kg)
	100/200	6200	34.0	72 lbs. (33 kg)
	220♦	6200	28.2	72 lbs. (33 kg)
	240♦	6200	25.8	72 lbs. (33 kg)
	GRAHL-132D†*	120/208	6900	35.5
120/240		6900	31.5	79 lbs. (36 kg)
100		6900	---	79 lbs. (36 kg)
100/200		6900	37.8	79 lbs. (36 kg)
220♦		6900	31.4	79 lbs. (36 kg)
240♦		6900	28.8	79 lbs. (36 kg)
GRAHL-144D†*		120/208	7620	39.2
	120/240	7620	34.8	86 lbs. (39 kg)
	100	7620	---	86 lbs. (39 kg)
	100/200	7620	41.7	86 lbs. (39 kg)
	220♦	7620	34.6	86 lbs. (39 kg)
	240♦	7620	31.8	86 lbs. (39 kg)

* Not available in 100 or 120 V.

♦ CE approved units for 220–230 V utilize a 220 V heating system; 230–240 V CE units utilize a 240 V heating system.

• 100 V and 120 V models with infinite switch require tandem (end-to-end) elements, consult factory for applications.

■ 100 V and 120 V models may require additional switches, consult factory for applications.

† Glo-Ray models 108"–144" and 120 V models of GRA-84 and GRA-96 contain tandem (end-to-end) elements that may be individually controlled.

GRN Models

Model	Voltage	Watts	Amps	Shipping Weight
GRN-18	120	250	2.1	6 lbs. (3 kg)
	208	250	1.2	6 lbs. (3 kg)
	240	250	1.0	6 lbs. (3 kg)
	100	250	2.5	6 lbs. (3 kg)
	200	250	1.3	6 lbs. (3 kg)
	220♦	250	1.1	6 lbs. (3 kg)
	240♦	250	1.0	6 lbs. (3 kg)
GRN-24	120	350	2.9	7 lbs. (3 kg)
	208	350	1.7	7 lbs. (3 kg)
	240	350	1.5	7 lbs. (3 kg)
	100	350	3.5	7 lbs. (3 kg)
	200	350	1.8	7 lbs. (3 kg)
	220♦	350	1.6	7 lbs. (3 kg)
	240♦	350	1.5	7 lbs. (3 kg)
GRN-30	120	450	3.8	8 lbs. (4 kg)
	208	450	2.2	8 lbs. (4 kg)
	240	450	1.9	8 lbs. (4 kg)
	100	450	4.5	8 lbs. (4 kg)
	200	450	2.3	8 lbs. (4 kg)
	220♦	450	2.1	8 lbs. (4 kg)
	240♦	450	1.9	8 lbs. (4 kg)
GRN-36	120	575	4.8	9 lbs. (4 kg)
	208	575	2.8	9 lbs. (4 kg)
	240	575	2.4	9 lbs. (4 kg)
	100	575	5.8	9 lbs. (4 kg)
	200	575	2.9	9 lbs. (4 kg)
	220♦	575	2.6	9 lbs. (4 kg)
	240♦	575	2.4	9 lbs. (4 kg)
GRN-42	120	675	5.6	10 lbs. (5 kg)
	208	675	3.2	10 lbs. (5 kg)
	240	675	2.8	10 lbs. (5 kg)
	100	675	6.8	10 lbs. (5 kg)
	200	675	3.4	10 lbs. (5 kg)
	220♦	675	3.1	10 lbs. (5 kg)
	240♦	675	2.8	10 lbs. (5 kg)

Model	Voltage	Watts	Amps	Shipping Weight
GRN-48	120	800	6.7	11 lbs. (5 kg)
	208	800	3.8	11 lbs. (5 kg)
	240	800	3.3	11 lbs. (5 kg)
	100	800	8.0	11 lbs. (5 kg)
	200	800	4.0	11 lbs. (5 kg)
	220♦	800	3.6	11 lbs. (5 kg)
	240♦	800	3.3	11 lbs. (5 kg)
GRN-54	120	925	7.7	13 lbs. (6 kg)
	208	925	4.4	13 lbs. (6 kg)
	240	925	3.9	13 lbs. (6 kg)
	100	925	9.3	13 lbs. (6 kg)
	200	925	4.6	13 lbs. (6 kg)
	220♦	925	4.2	13 lbs. (6 kg)
	240♦	925	3.9	13 lbs. (6 kg)
GRN-60	120	1050	8.8	14 lbs. (6 kg)
	208	1050	5.0	14 lbs. (6 kg)
	240	1050	4.4	14 lbs. (6 kg)
	100	1050	10.5	14 lbs. (6 kg)
	200	1050	5.3	14 lbs. (6 kg)
	220♦	1050	4.8	14 lbs. (6 kg)
	240♦	1050	4.4	14 lbs. (6 kg)
GRN-66	120	1160	9.7	16 lbs. (7 kg)
	208	1160	5.6	16 lbs. (7 kg)
	240	1160	4.8	16 lbs. (7 kg)
	100	1160	11.6	16 lbs. (7 kg)
	200	1160	5.8	16 lbs. (7 kg)
	220♦	1160	5.3	16 lbs. (7 kg)
	240♦	1160	4.8	16 lbs. (7 kg)
GRN-72	120	1275	10.6	17 lbs. (8 kg)
	208	1275	6.1	17 lbs. (8 kg)
	240	1275	5.3	17 lbs. (8 kg)
	100	1275	12.8	17 lbs. (8 kg)
	200	1275	6.4	17 lbs. (8 kg)
	220♦	1275	5.8	17 lbs. (8 kg)
	240♦	1275	5.3	17 lbs. (8 kg)

The shaded areas contain electrical information for **International models only**.

♦ CE approved units for 220–230 V utilize a 220 V heating system; 230–240 V CE units utilize a 240 V heating system.

NOTE: 120V GRN models are available with NEMA 5-15P or NEMA 5-20P power cords.

GRNH Models

Model	Voltage	Watts	Amps	Shipping Weight
GRNH-18	120	350	2.9	6 lbs. (3 kg)
	208	350	1.7	6 lbs. (3 kg)
	240	350	1.5	6 lbs. (3 kg)
	100	350	3.5	6 lbs. (3 kg)
	200	350	1.8	6 lbs. (3 kg)
	220♦	350	1.6	6 lbs. (3 kg)
	240♦	350	1.5	6 lbs. (3 kg)
GRNH-24	120	500	4.2	7 lbs. (3 kg)
	208	500	2.4	7 lbs. (3 kg)
	240	500	2.1	7 lbs. (3 kg)
	100	500	5.0	7 lbs. (3 kg)
	200	500	2.5	7 lbs. (3 kg)
	220♦	500	2.3	7 lbs. (3 kg)
	240♦	500	2.1	7 lbs. (3 kg)
GRNH-30	120	660	5.5	8 lbs. (4 kg)
	208	660	3.2	8 lbs. (4 kg)
	240	660	2.8	8 lbs. (4 kg)
	100	660	6.6	8 lbs. (4 kg)
	200	660	3.3	8 lbs. (4 kg)
	220♦	660	3.0	8 lbs. (4 kg)
	240♦	660	2.8	8 lbs. (4 kg)
GRNH-36	120	800	6.7	9 lbs. (4 kg)
	208	800	3.8	9 lbs. (4 kg)
	240	800	3.3	9 lbs. (4 kg)
	100	800	8.0	9 lbs. (4 kg)
	200	800	4.0	9 lbs. (4 kg)
	220♦	800	3.6	9 lbs. (4 kg)
	240♦	800	3.3	9 lbs. (4 kg)
GRNH-42	120	950	7.9	10 lbs. (5 kg)
	208	950	4.6	10 lbs. (5 kg)
	240	950	4.0	10 lbs. (5 kg)
	100	950	9.5	10 lbs. (5 kg)
	200	950	4.8	10 lbs. (5 kg)
	220♦	950	4.3	10 lbs. (5 kg)
	240♦	950	4.0	10 lbs. (5 kg)

Model	Voltage	Watts	Amps	Shipping Weight
GRNH-48	120	1100	9.2	11 lbs. (5 kg)
	208	1100	5.3	11 lbs. (5 kg)
	240	1100	4.6	11 lbs. (5 kg)
	100	1100	11.0	11 lbs. (5 kg)
	200	1100	5.5	11 lbs. (5 kg)
	220♦	1100	5.0	11 lbs. (5 kg)
	240♦	1100	4.6	11 lbs. (5 kg)
GRNH-54	120	1250	10.4	13 lbs. (6 kg)
	208	1250	6.0	13 lbs. (6 kg)
	240	1250	5.2	13 lbs. (6 kg)
	100	1250	12.5	13 lbs. (6 kg)
	200	1250	6.3	13 lbs. (6 kg)
	220♦	1250	5.7	13 lbs. (6 kg)
	240♦	1250	5.2	13 lbs. (6 kg)
GRNH-60	120	1400	11.7	14 lbs. (6 kg)
	208	1400	6.7	14 lbs. (6 kg)
	240	1400	5.8	14 lbs. (6 kg)
	100	1400	14.0	14 lbs. (6 kg)
	200	1400	7.0	14 lbs. (6 kg)
	220♦	1400	6.4	14 lbs. (6 kg)
	240♦	1400	5.8	14 lbs. (6 kg)
GRNH-66‡	120	1560	13.0	16 lbs. (7 kg)
	208	1560	7.5	16 lbs. (7 kg)
	240	1560	6.5	16 lbs. (7 kg)
	100	1560	15.6	16 lbs. (7 kg)
	200	1560	7.8	16 lbs. (7 kg)
	220♦	1560	7.1	16 lbs. (7 kg)
	240♦	1560	6.5	16 lbs. (7 kg)
GRNH-72‡	120	1725	14.4	17 lbs. (8 kg)
	208	1725	8.3	17 lbs. (8 kg)
	240	1725	7.2	17 lbs. (8 kg)
	100	1725	17.3	17 lbs. (8 kg)
	200	1725	8.6	17 lbs. (8 kg)
	220♦	1725	7.8	17 lbs. (8 kg)
	240♦	1725	7.2	17 lbs. (8 kg)

The shaded areas contain electrical information for **International models only**.

‡ 120 V model not available for use with a remote infinite switch.

♦ CE approved units for 220–230 V utilize a 220 V heating system; 230–240 V CE units utilize a 240 V heating system.

NOTE: 120V GRNH models are available with NEMA 5-15P or NEMA 5-20P power cords.

Sommaire

Modèles GR.....	14
Modèles GRH.....	15
Modèles GRHL.....	15
Modèles GRA.....	16
Modèles GRAH.....	17
Modèles GRAL.....	18
Modèles GRAHL.....	19
Modèles GRA-XXD.....	20
Modèles GRAH-XXD.....	21
Modèles GRAL-XXD.....	22
Modèles GRAHL-XXD.....	23
Modèles GRN.....	24
Modèles GRNH.....	25

Modèles GR

Modèle	Tension	Intensité	Amps	Poids
				d'embarquement
GR-18	120	250	2.1	7 lbs. (3 kg)
	208	250	1.2	7 lbs. (3 kg)
	240	250	1.0	7 lbs. (3 kg)
	100	250	2.5	7 lbs. (3 kg)
	200	250	1.3	7 lbs. (3 kg)
	220♦	250	1.1	7 lbs. (3 kg)
	240♦	250	1.0	7 lbs. (3 kg)
GR-24	120	350	2.9	7 lbs. (3 kg)
	208	350	1.7	7 lbs. (3 kg)
	240	350	1.5	7 lbs. (3 kg)
	100	350	3.5	7 lbs. (3 kg)
	200	350	1.8	7 lbs. (3 kg)
	220♦	350	1.6	7 lbs. (3 kg)
	240♦	350	1.5	7 lbs. (3 kg)
GR-36	120	575	4.8	10 lbs. (5 kg)
	208	575	2.8	10 lbs. (5 kg)
	240	575	2.4	10 lbs. (5 kg)
	100	575	5.8	10 lbs. (5 kg)
	200	575	2.9	10 lbs. (5 kg)
	220♦	575	2.6	10 lbs. (5 kg)
	240♦	575	2.4	10 lbs. (5 kg)
GR-48	120	800	6.7	12 lbs. (5 kg)
	208	800	3.8	12 lbs. (5 kg)
	240	800	3.3	12 lbs. (5 kg)
	100	800	8.0	12 lbs. (5 kg)
	200	800	4.0	12 lbs. (5 kg)
	220♦	800	3.6	12 lbs. (5 kg)
	240♦	800	3.3	12 lbs. (5 kg)
GR-60	120	1050	8.8	15 lbs. (7 kg)
	208	1050	5.0	15 lbs. (7 kg)
	240	1050	4.4	15 lbs. (7 kg)
	100	1050	10.5	15 lbs. (7 kg)
	200	1050	5.3	15 lbs. (7 kg)
	220♦	1050	4.8	15 lbs. (7 kg)
	240♦	1050	4.4	15 lbs. (7 kg)
GR-72	120	1275	10.6	19 lbs. (9 kg)
	208	1275	6.1	19 lbs. (9 kg)
	240	1275	5.3	19 lbs. (9 kg)
	100	1275	12.8	19 lbs. (9 kg)
	200	1275	6.4	19 lbs. (9 kg)
	220♦	1275	5.8	19 lbs. (9 kg)
	240♦	1275	5.3	19 lbs. (9 kg)
GR-96	120	1725	14.4	24 lbs. (11 kg)
	208	1725	8.3	24 lbs. (11 kg)
	240	1725	7.2	24 lbs. (11 kg)
	100	1725	17.3	24 lbs. (11 kg)
	200	1725	8.6	24 lbs. (11 kg)
	220♦	1725	7.8	24 lbs. (11 kg)
	240♦	1725	7.2	24 lbs. (11 kg)

Les zones ombrées contiennent des informations électriques pour **les modèles internationaux uniquement**.

♦ Les unités approuvées par la CE pour un fonctionnement à 220-230 V utilisent un système de chauffage de 220 V ; les unités CE 230-240 V utilisent un système de chauffage de 240 V.

Modèles GRH

Modèle	Tension	Intensité	Amps	Poids d'embarquement
GRH-18	120	350	2.9	7 lbs. (3 kg)
	208	350	1.7	7 lbs. (3 kg)
	240	350	1.5	7 lbs. (3 kg)
	100	350	3.5	7 lbs. (3 kg)
	200	350	1.8	7 lbs. (3 kg)
	220♦	350	1.6	7 lbs. (3 kg)
	240♦	350	1.5	7 lbs. (3 kg)
GRH-24	120	500	4.2	7 lbs. (3 kg)
	208	500	2.4	7 lbs. (3 kg)
	240	500	2.1	7 lbs. (3 kg)
	100	500	5.0	7 lbs. (3 kg)
	200	500	2.5	7 lbs. (3 kg)
	220♦	500	2.3	7 lbs. (3 kg)
	240♦	500	2.1	7 lbs. (3 kg)
GRH-36	120	800	6.7	10 lbs. (5 kg)
	208	800	3.8	10 lbs. (5 kg)
	240	800	3.3	10 lbs. (5 kg)
	100	800	8.0	10 lbs. (5 kg)
	200	800	4.0	10 lbs. (5 kg)
	220♦	800	3.6	10 lbs. (5 kg)
	240♦	800	3.3	10 lbs. (5 kg)
GRH-48	120	1100	9.2	12 lbs. (5 kg)
	208	1100	5.3	12 lbs. (5 kg)
	240	1100	4.6	12 lbs. (5 kg)
	100	1100	11.0	12 lbs. (5 kg)
	200	1100	5.5	12 lbs. (5 kg)
	220♦	1100	5.0	12 lbs. (5 kg)
	240♦	1100	4.6	12 lbs. (5 kg)
GRH-60	120	1400	11.7	15 lbs. (7 kg)
	208	1400	6.7	15 lbs. (7 kg)
	240	1400	5.8	15 lbs. (7 kg)
	100	1400	14.0	15 lbs. (7 kg)
	200	1400	7.0	15 lbs. (7 kg)
	220♦	1400	6.4	15 lbs. (7 kg)
	240♦	1400	5.8	15 lbs. (7 kg)
GRH-72	120	1725	14.4	19 lbs. (9 kg)
	208	1725	8.3	19 lbs. (9 kg)
	240	1725	7.2	19 lbs. (9 kg)
	100	1725	17.3	19 lbs. (9 kg)
	200	1725	8.6	19 lbs. (9 kg)
	220♦	1725	7.8	19 lbs. (9 kg)
	240♦	1725	7.2	19 lbs. (9 kg)
GRH-96*	208	2400	11.5	24 lbs. (11 kg)
	240	2400	10.0	24 lbs. (11 kg)
	200	2400	12.0	24 lbs. (11 kg)
	220♦	2400	10.9	24 lbs. (11 kg)
	240♦	2400	10.0	24 lbs. (11 kg)

Modèles GRHL

Modèle	Tension	Intensité	Amps	Poids d'embarquement
GRHL-18	120	470	3.9	10 lbs. (5 kg)
	220	470	2.1	10 lbs. (5 kg)
	240	470	2.0	10 lbs. (5 kg)
GRHL-24	120	620	5.2	10 lbs. (5 kg)
	220	620	2.8	10 lbs. (5 kg)
	240	620	2.6	10 lbs. (5 kg)
GRHL-36	120	980	8.2	14 lbs. (6 kg)
	220	980	4.5	14 lbs. (6 kg)
	240	980	4.1	14 lbs. (6 kg)
GRHL-48	120	1340	11.2	18 lbs. (8 kg)
	220	1340	6.1	18 lbs. (8 kg)
	240	1340	5.6	18 lbs. (8 kg)
GRHL-60	120	1700	14.2	22 lbs. (10 kg)
	220	1700	7.7	22 lbs. (10 kg)
	240	1700	7.1	22 lbs. (10 kg)
GRHL-72	120	2085	17.4	26 lbs. (12 kg)
	220	2085	9.5	26 lbs. (12 kg)
	240	2085	8.7	26 lbs. (12 kg)

Les zones ombrées contiennent des informations électriques pour les modèles internationaux uniquement.

* Non disponible en 100 V ou 120 V.

♦ Les unités approuvées par la CE pour un fonctionnement à 220-230 V utilisent un système de chauffage de 220 V ; les unités CE 230-240 V utilisent un système de chauffage de 240 V.

Modèles GRA

Modèle	Tension	Intensité	Amps	Poids d'embarquement
GRA-18	120	250	2.1	6 lbs. (3 kg)
	208	250	1.2	6 lbs. (3 kg)
	240	250	1.0	6 lbs. (3 kg)
	100	250	2.5	6 lbs. (3 kg)
	200	250	1.3	6 lbs. (3 kg)
	220♦	250	1.1	6 lbs. (3 kg)
	240♦	250	1.0	6 lbs. (3 kg)
GRA-24	120	350	2.9	7 lbs. (3 kg)
	208	350	1.7	7 lbs. (3 kg)
	240	350	1.5	7 lbs. (3 kg)
	100	350	3.5	7 lbs. (3 kg)
	200	350	1.8	7 lbs. (3 kg)
	220♦	350	1.6	7 lbs. (3 kg)
	240♦	350	1.5	7 lbs. (3 kg)
GRA-30	120	450	3.8	8 lbs. (4 kg)
	208	450	2.2	8 lbs. (4 kg)
	240	450	1.9	8 lbs. (4 kg)
	100	450	4.5	8 lbs. (4 kg)
	200	450	2.3	8 lbs. (4 kg)
	220♦	450	2.1	8 lbs. (4 kg)
	240♦	450	1.9	8 lbs. (4 kg)
GRA-36	120	575	4.8	9 lbs. (4 kg)
	208	575	2.8	9 lbs. (4 kg)
	240	575	2.4	9 lbs. (4 kg)
	100	575	5.8	9 lbs. (4 kg)
	200	575	2.9	9 lbs. (4 kg)
	220♦	575	2.6	9 lbs. (4 kg)
	240♦	575	2.4	9 lbs. (4 kg)
GRA-42	120	675	5.6	10 lbs. (5 kg)
	208	675	3.2	10 lbs. (5 kg)
	240	675	2.8	10 lbs. (5 kg)
	100	675	6.8	10 lbs. (5 kg)
	200	675	3.4	10 lbs. (5 kg)
	220♦	675	3.1	10 lbs. (5 kg)
	240♦	675	2.8	10 lbs. (5 kg)
GRA-48	120	800	6.7	11 lbs. (5 kg)
	208	800	3.8	11 lbs. (5 kg)
	240	800	3.3	11 lbs. (5 kg)
	100	800	8.0	11 lbs. (5 kg)
	200	800	4.0	11 lbs. (5 kg)
	220♦	800	3.6	11 lbs. (5 kg)
	240♦	800	3.3	11 lbs. (5 kg)
GRA-54	120	925	7.7	13 lbs. (6 kg)
	208	925	4.4	13 lbs. (6 kg)
	240	925	3.9	13 lbs. (6 kg)
	100	925	9.3	13 lbs. (6 kg)
	200	925	4.6	13 lbs. (6 kg)
	220♦	925	4.2	13 lbs. (6 kg)
	240♦	925	3.9	13 lbs. (6 kg)
GRA-60	120	1050	8.8	14 lbs. (6 kg)
	208	1050	5.0	14 lbs. (6 kg)
	240	1050	4.4	14 lbs. (6 kg)
	100	1050	10.5	14 lbs. (6 kg)
	200	1050	5.3	14 lbs. (6 kg)
	220♦	1050	4.8	14 lbs. (6 kg)
	240♦	1050	4.4	14 lbs. (6 kg)

Modèle	Tension	Intensité	Amps	Poids d'embarquement
GRA-66	120	1160	9.7	16 lbs. (7 kg)
	208	1160	5.6	16 lbs. (7 kg)
	240	1160	4.8	16 lbs. (7 kg)
	100	1160	11.6	16 lbs. (7 kg)
	200	1160	5.8	16 lbs. (7 kg)
	220♦	1160	5.3	16 lbs. (7 kg)
	240♦	1160	4.8	16 lbs. (7 kg)
GRA-72■	120	1275	10.6	17 lbs. (8 kg)
	208	1275	6.1	17 lbs. (8 kg)
	240	1275	5.3	17 lbs. (8 kg)
	100	1275	12.8	17 lbs. (8 kg)
	200	1275	6.4	17 lbs. (8 kg)
	220♦	1275	5.8	17 lbs. (8 kg)
	240♦	1275	5.3	17 lbs. (8 kg)
GRA-84●■	120	1500	12.5	19 lbs. (9 kg)
	208	1500	7.2	19 lbs. (9 kg)
	240	1500	6.3	19 lbs. (9 kg)
	100	1500	15.0	19 lbs. (9 kg)
	200	1500	7.5	19 lbs. (9 kg)
	220♦	1500	6.8	19 lbs. (9 kg)
	240♦	1500	6.3	19 lbs. (9 kg)
GRA-96●■	120	1725	14.4	21 lbs. (10 kg)
	208	1725	8.3	21 lbs. (10 kg)
	240	1725	7.2	21 lbs. (10 kg)
	100	1725	17.3	21 lbs. (10 kg)
	200	1725	8.6	21 lbs. (10 kg)
	220♦	1725	7.8	21 lbs. (10 kg)
	240♦	1725	7.2	21 lbs. (10 kg)
GRA-108†	120	1850	15.4	23 lbs. (10 kg)
	208	1850	8.9	23 lbs. (10 kg)
	240	1850	7.7	23 lbs. (10 kg)
	100	1850	18.5	23 lbs. (10 kg)
	200	1850	9.3	23 lbs. (10 kg)
	220	1850	8.4	23 lbs. (10 kg)
	240	1850	7.7	23 lbs. (10 kg)
GRA-120†	120	2100	17.5	26 lbs. (12 kg)
	208	2100	10.1	26 lbs. (12 kg)
	240	2100	8.8	26 lbs. (12 kg)
	100	2100	21.0	26 lbs. (12 kg)
	200	2100	10.5	26 lbs. (12 kg)
	220	2100	9.5	26 lbs. (12 kg)
	240	2100	8.8	26 lbs. (12 kg)
GRA-132†	120	2320	19.3	30 lbs. (14 kg)
	208	2320	11.2	30 lbs. (14 kg)
	240	2320	9.7	30 lbs. (14 kg)
	100	2320	23.2	30 lbs. (14 kg)
	200	2320	11.6	30 lbs. (14 kg)
	220	2320	10.5	30 lbs. (14 kg)
	240	2320	9.7	30 lbs. (14 kg)
GRA-144†	120	2550	21.3	33 lbs. (15 kg)
	208	2550	12.3	33 lbs. (15 kg)
	240	2550	10.6	33 lbs. (15 kg)
	100	2550	25.5	33 lbs. (15 kg)
	200	2550	12.8	33 lbs. (15 kg)
	220	2550	11.6	33 lbs. (15 kg)
	240	2550	10.6	33 lbs. (15 kg)

Les zones ombrées contiennent des informations électriques pour **les modèles internationaux uniquement**.

♦ Les unités approuvées par la CE pour un fonctionnement à 220-230 V utilisent un système de chauffage de 220 V ; les unités CE 230-240 V utilisent un système de chauffage de 240 V.

Modèles GRAH

Modèle	Tension	Intensité	Amps	Poids d'embarquement
GRAH-18	120	350	2.9	6 lbs. (3 kg)
	208	350	1.7	6 lbs. (3 kg)
	240	350	1.5	6 lbs. (3 kg)
	100	350	3.5	6 lbs. (3 kg)
	200	350	1.8	6 lbs. (3 kg)
	220♦	350	1.6	6 lbs. (3 kg)
	240♦	350	1.5	6 lbs. (3 kg)
GRAH-24	120	500	4.2	7 lbs. (3 kg)
	208	500	2.4	7 lbs. (3 kg)
	240	500	2.1	7 lbs. (3 kg)
	100	500	5.0	7 lbs. (3 kg)
	200	500	2.5	7 lbs. (3 kg)
	220♦	500	2.3	7 lbs. (3 kg)
	240♦	500	2.1	7 lbs. (3 kg)
GRAH-30	120	660	5.5	8 lbs. (4 kg)
	208	660	3.2	8 lbs. (4 kg)
	240	660	2.8	8 lbs. (4 kg)
	100	660	6.6	8 lbs. (4 kg)
	200	660	3.3	8 lbs. (4 kg)
	220♦	660	33.0	8 lbs. (4 kg)
	240♦	660	2.8	8 lbs. (4 kg)
GRAH-36	120	800	6.7	9 lbs. (4 kg)
	208	800	3.8	9 lbs. (4 kg)
	240	800	3.3	9 lbs. (4 kg)
	100	800	8.0	9 lbs. (4 kg)
	200	800	4.0	9 lbs. (4 kg)
	220♦	800	3.6	9 lbs. (4 kg)
	240♦	800	3.3	9 lbs. (4 kg)
GRAH-42	120	950	7.9	10 lbs. (5 kg)
	208	950	4.6	10 lbs. (5 kg)
	240	950	4.0	10 lbs. (5 kg)
	100	950	9.5	10 lbs. (5 kg)
	200	950	4.8	10 lbs. (5 kg)
	220♦	950	4.3	10 lbs. (5 kg)
	240♦	950	4.0	10 lbs. (5 kg)
GRAH-48	120	1100	9.2	11 lbs. (5 kg)
	208	1100	5.3	11 lbs. (5 kg)
	240	1100	4.6	11 lbs. (5 kg)
	100	1100	11.0	11 lbs. (5 kg)
	200	1100	5.5	11 lbs. (5 kg)
	220♦	1100	5.0	11 lbs. (5 kg)
	240♦	1100	4.6	11 lbs. (5 kg)
GRAH-54	120	1250	10.4	13 lbs. (6 kg)
	208	1250	6.0	13 lbs. (6 kg)
	240	1250	5.2	13 lbs. (6 kg)
	100	1250	12.5	13 lbs. (6 kg)
	200	1250	6.3	13 lbs. (6 kg)
	220♦	1250	5.7	13 lbs. (6 kg)
	240♦	1250	5.2	13 lbs. (6 kg)
GRAH-60	120	1400	11.7	14 lbs. (6 kg)
	208	1400	6.7	14 lbs. (6 kg)
	240	1400	5.8	14 lbs. (6 kg)
	100	1400	14.0	14 lbs. (6 kg)
	200	1400	7.0	14 lbs. (6 kg)
	220♦	1400	6.4	14 lbs. (6 kg)
	240♦	1400	5.8	14 lbs. (6 kg)

Modèle	Tension	Intensité	Amps	Poids d'embarquement
GRAH-66	120	1560	13.0	16 lbs. (7 kg)
	208	1560	7.5	16 lbs. (7 kg)
	240	1560	6.5	16 lbs. (7 kg)
	100	1560	15.6	16 lbs. (7 kg)
	200	1560	7.8	16 lbs. (7 kg)
	220♦	1560	7.1	16 lbs. (7 kg)
	240♦	1560	6.5	16 lbs. (7 kg)
GRAH-72	120	1725	14.4	17 lbs. (8 kg)
	208	1725	8.3	17 lbs. (8 kg)
	240	1725	7.2	17 lbs. (8 kg)
	100	1725	17.3	17 lbs. (8 kg)
	200	1725	8.6	17 lbs. (8 kg)
	220♦	1725	7.8	17 lbs. (8 kg)
	240♦	1725	7.2	17 lbs. (8 kg)
GRAH-84•■	120	2050	17.1	19 lbs. (9 kg)
	208	2050	9.9	19 lbs. (9 kg)
	240	2050	8.5	19 lbs. (9 kg)
	100	2050	20.5	19 lbs. (9 kg)
	200	2050	10.3	19 lbs. (9 kg)
	220♦	2050	9.3	19 lbs. (9 kg)
	240♦	2050	8.5	19 lbs. (9 kg)
GRAH-96•■	120	2400	20.0	21 lbs. (10 kg)
	208	2400	11.5	21 lbs. (10 kg)
	240	2400	10.0	21 lbs. (10 kg)
	100	2400	24.0	21 lbs. (10 kg)
	200	2400	12.0	21 lbs. (10 kg)
	220♦	2400	10.9	21 lbs. (10 kg)
	240♦	2400	10.0	21 lbs. (10 kg)
GRAH-108•†	120	2500	20.8	23 lbs. (10 kg)
	208	2500	12.0	23 lbs. (10 kg)
	240	2500	10.4	23 lbs. (10 kg)
	100	2500	25.0	23 lbs. (10 kg)
	200	2500	12.5	23 lbs. (10 kg)
	220	2500	11.4	23 lbs. (10 kg)
	240	2500	10.4	23 lbs. (10 kg)
GRAH-120•†	120	2800	22.5	26 lbs. (12 kg)
	208	2800	13.5	26 lbs. (12 kg)
	240	2800	11.7	26 lbs. (12 kg)
	100	2800	28.0	26 lbs. (12 kg)
	200	2800	14.0	26 lbs. (12 kg)
	220	2800	12.7	26 lbs. (12 kg)
	240	2800	11.7	26 lbs. (12 kg)
GRAH-132†	120	3120	26.0	30 lbs. (14 kg)
	208	3120	15.0	30 lbs. (14 kg)
	240	3120	13.0	30 lbs. (14 kg)
	100	3120	31.2	30 lbs. (14 kg)
	200	3120	15.6	30 lbs. (14 kg)
	220	3120	14.2	30 lbs. (14 kg)
	240	3120	13.0	30 lbs. (14 kg)
GRAH-144†	120	3450	28.8	33 lbs. (15 kg)
	208	3450	16.6	33 lbs. (15 kg)
	240	3450	14.4	33 lbs. (15 kg)
	100	3450	34.5	33 lbs. (15 kg)
	200	3450	17.3	33 lbs. (15 kg)
	220	3450	15.7	33 lbs. (15 kg)
	240	3450	14.4	33 lbs. (15 kg)

• Les modèles à 100 V et 120 V qui utilisent un interrupteur en continu exigent des éléments en tandem (mis bout-à-bout) ; consultez l'usine pour les applications.

■ Les modèles à 100 V et 120 V peuvent exiger des interrupteurs supplémentaires, consultez l'usine pour les applications.

† Les modèles Glo-Ray de 108 po à 144 po (2 743 à 3 658 mm) et les modèles à 120 V du GRA-84 et du GRA-96 contiennent des éléments en tandem (mis bout-à-bout) qui peuvent être contrôlés individuellement.

Modèles GRAL

Modèle	Tension	Intensité	Amps	Poids d'embarquement
GRAL-18	120	370	3.1	9 lbs. (4 kg)
	120/208	370	2.2	9 lbs. (4 kg)
	120/240	370	2.0	9 lbs. (4 kg)
	100	370	3.7	9 lbs. (4 kg)
	100/200	370	2.5	9 lbs. (4 kg)
	220♦	370	1.7	9 lbs. (4 kg)
	240♦	370	1.5	9 lbs. (4 kg)
GRAL-24	120	470	3.9	10 lbs. (5 kg)
	120/208	470	2.7	10 lbs. (5 kg)
	120/240	470	2.5	10 lbs. (5 kg)
	100	470	4.7	10 lbs. (5 kg)
	100/200	470	3.0	10 lbs. (5 kg)
	220♦	470	2.1	10 lbs. (5 kg)
	240♦	470	2.0	10 lbs. (5 kg)
GRAL-30	120	570	4.8	11 lbs. (5 kg)
	120/208	570	3.2	11 lbs. (5 kg)
	120/240	570	2.9	11 lbs. (5 kg)
	100	570	5.7	11 lbs. (5 kg)
	100/200	570	3.5	11 lbs. (5 kg)
	220♦	570	2.6	11 lbs. (5 kg)
	240♦	570	2.4	11 lbs. (5 kg)
GRAL-36	120	755	6.3	13 lbs. (6 kg)
	120/208	755	4.3	13 lbs. (6 kg)
	120/240	755	3.9	13 lbs. (6 kg)
	100	755	7.6	13 lbs. (6 kg)
	100/200	755	4.7	13 lbs. (6 kg)
	220♦	755	3.4	13 lbs. (6 kg)
	240♦	755	3.1	13 lbs. (6 kg)
GRAL-42	120	855	7.1	15 lbs. (7 kg)
	120/208	855	4.7	15 lbs. (7 kg)
	120/240	855	4.3	15 lbs. (7 kg)
	100	855	8.6	15 lbs. (7 kg)
	100/200	855	5.2	15 lbs. (7 kg)
	220♦	855	3.9	15 lbs. (7 kg)
	240♦	855	3.6	15 lbs. (7 kg)
GRAL-48	120	1040	8.7	17 lbs. (8 kg)
	120/208	1040	5.8	17 lbs. (8 kg)
	120/240	1040	5.3	17 lbs. (8 kg)
	100	1040	10.4	17 lbs. (8 kg)
	100/200	1040	6.4	17 lbs. (8 kg)
	220♦	1040	4.7	17 lbs. (8 kg)
	240♦	1040	4.3	17 lbs. (8 kg)
GRAL-54	120	1165	9.7	19 lbs. (9 kg)
	120/208	1165	6.4	19 lbs. (9 kg)
	120/240	1165	5.9	19 lbs. (9 kg)
	100	1165	11.7	19 lbs. (9 kg)
	100/200	1165	7.0	19 lbs. (9 kg)
	220♦	1165	5.3	19 lbs. (9 kg)
	240♦	1165	4.9	19 lbs. (9 kg)
GRAL-60	120	1350	11.3	21 lbs. (10 kg)
	120/208	1350	7.5	21 lbs. (10 kg)
	120/240	1350	6.9	21 lbs. (10 kg)
	100	1350	13.5	21 lbs. (10 kg)
	100/200	1350	8.3	21 lbs. (10 kg)
	220♦	1350	6.1	21 lbs. (10 kg)
	240♦	1350	5.6	21 lbs. (10 kg)

Modèle	Tension	Intensité	Amps	Poids d'embarquement
GRAL-66	120	1460	12.2	22 lbs. (10 kg)
	120/208	1460	8.1	22 lbs. (10 kg)
	120/240	1460	7.3	22 lbs. (10 kg)
	100	1460	14.6	22 lbs. (10 kg)
	100/200	1460	8.8	22 lbs. (10 kg)
	220♦	1460	6.6	22 lbs. (10 kg)
	240♦	1460	6.1	22 lbs. (10 kg)
GRAL-72	120	1635	13.6	24 lbs. (11 kg)
	120/208	1635	9.1	24 lbs. (11 kg)
	120/240	1635	8.3	24 lbs. (11 kg)
	100	1635	16.4	24 lbs. (11 kg)
	100/200	1635	10.0	24 lbs. (11 kg)
	220♦	1635	7.4	24 lbs. (11 kg)
	240♦	1635	6.8	24 lbs. (11 kg)
GRAL-84■	120	1920	16.0	28 lbs. (13 kg)
	120/208	1920	10.7	28 lbs. (13 kg)
	120/240	1920	9.8	28 lbs. (13 kg)
	100	1920	19.2	28 lbs. (13 kg)
	100/200	1920	11.7	28 lbs. (13 kg)
	220♦	1920	8.7	28 lbs. (13 kg)
	240♦	1920	8.0	28 lbs. (13 kg)
GRAL-96■	120	2205	18.4	32 lbs. (15 kg)
	120/208	2205	12.3	32 lbs. (15 kg)
	120/240	2205	11.2	32 lbs. (15 kg)
	100	2205	22.1	32 lbs. (15 kg)
	100/200	2205	13.4	32 lbs. (15 kg)
	220♦	2205	10.0	32 lbs. (15 kg)
	240♦	2205	9.2	32 lbs. (15 kg)
GRAL-108†	120	2390	19.9	36 lbs. (16 kg)
	208	2390	13.4	36 lbs. (16 kg)
	240	2390	12.2	36 lbs. (16 kg)
	100	2390	23.9	36 lbs. (16 kg)
	200	2390	14.7	36 lbs. (16 kg)
	220	2390	10.9	36 lbs. (16 kg)
	240	2390	10.0	36 lbs. (16 kg)
GRAL-120†	120	2700	22.5	40 lbs. (18 kg)
	120/208	2700	15.1	40 lbs. (18 kg)
	120/240	2700	13.8	40 lbs. (18 kg)
	100	2700	27.0	40 lbs. (18 kg)
	100/200	2700	16.5	40 lbs. (18 kg)
	220	2700	12.3	40 lbs. (18 kg)
	240	2700	11.3	40 lbs. (18 kg)
GRAL-132†	120	2980	24.8	44 lbs. (20 kg)
	120/208	2980	16.7	44 lbs. (20 kg)
	120/240	2980	15.2	44 lbs. (20 kg)
	100	2980	29.8	44 lbs. (20 kg)
	100/200	2980	18.2	44 lbs. (20 kg)
	220	2980	13.5	44 lbs. (20 kg)
	240	2980	12.4	44 lbs. (20 kg)
GRAL-144†	120	3270	27.3	48 lbs. (22 kg)
	120/208	3270	18.3	48 lbs. (22 kg)
	120/240	3270	16.6	48 lbs. (22 kg)
	100	3270	32.7	48 lbs. (22 kg)
	100/200	3270	20.0	48 lbs. (22 kg)
	220	3270	14.9	48 lbs. (22 kg)
	240	3270	13.6	48 lbs. (22 kg)

♦ Les unités approuvées par la CE pour un fonctionnement à 220-230 V utilisent un système de chauffage de 220 V ; les unités CE 230-240 V utilisent un système de chauffage de 240 V.

• Les modèles à 100 V et 120 V qui utilisent un interrupteur en continu exigent des éléments en tandem (mis bout-à-bout) ; consultez l'usine pour.

■ Les modèles à 100 V et 120 V peuvent exiger des interrupteurs supplémentaires, consultez l'usine pour les applications.

† Les modèles Glo-Ray de 108 po à 144 po (2 743 à 3 658 mm) et les modèles à 120 V du GRA-84 et du GRA-96 contiennent des éléments en tandem (mis bout-à-bout) qui peuvent être contrôlés individuellement.

Modèles GRAHL

Modèle	Tension	Intensité	Amps	Poids d'embarquement
GRAHL-18	120	470	3.9	9 lbs. (4 kg)
	120/208	470	2.7	9 lbs. (4 kg)
	120/240	470	2.5	9 lbs. (4 kg)
	100	470	4.7	9 lbs. (4 kg)
	100/200	470	3.0	9 lbs. (4 kg)
	220♦	470	2.1	9 lbs. (4 kg)
	240♦	470	2.0	9 lbs. (4 kg)
GRAHL-24	120	620	5.2	10 lbs. (5 kg)
	120/208	620	3.4	10 lbs. (5 kg)
	120/240	620	3.1	10 lbs. (5 kg)
	100	620	6.2	10 lbs. (5 kg)
	100/200	620	3.7	10 lbs. (5 kg)
	220♦	620	2.8	10 lbs. (5 kg)
	240♦	620	2.6	10 lbs. (5 kg)
GRAHL-30	120	780	6.5	11 lbs. (5 kg)
	120/208	780	4.2	11 lbs. (5 kg)
	120/240	780	3.8	11 lbs. (5 kg)
	100	780	7.8	11 lbs. (5 kg)
	100/200	780	4.5	11 lbs. (5 kg)
	220♦	780	3.5	11 lbs. (5 kg)
	240♦	780	3.3	11 lbs. (5 kg)
GRAHL-36	120	980	8.2	13 lbs. (6 kg)
	120/208	980	5.3	13 lbs. (6 kg)
	120/240	980	4.8	13 lbs. (6 kg)
	100	980	9.8	13 lbs. (6 kg)
	100/200	980	5.8	13 lbs. (6 kg)
	220♦	980	4.5	13 lbs. (6 kg)
	240♦	980	4.1	13 lbs. (6 kg)
GRAHL-42	120	1130	9.4	15 lbs. (7 kg)
	120/208	1130	6.1	15 lbs. (7 kg)
	120/240	1130	5.5	15 lbs. (7 kg)
	100	1130	11.3	15 lbs. (7 kg)
	100/200	1130	6.6	15 lbs. (7 kg)
	220♦	1130	5.1	15 lbs. (7 kg)
	240♦	1130	4.7	15 lbs. (7 kg)
GRAHL-48	120	1340	11.2	17 lbs. (8 kg)
	120/208	1340	7.3	17 lbs. (8 kg)
	120/240	1340	6.6	17 lbs. (8 kg)
	100	1340	13.4	17 lbs. (8 kg)
	100/200	1340	7.9	17 lbs. (8 kg)
	220♦	1340	6.1	17 lbs. (8 kg)
	240♦	1340	5.6	17 lbs. (8 kg)
GRAHL-54	120	1490	12.4	19 lbs. (9 kg)
	120/208	1490	8.0	19 lbs. (9 kg)
	120/240	1490	7.2	19 lbs. (9 kg)
	100	1490	14.9	19 lbs. (9 kg)
	100/200	1490	8.7	19 lbs. (9 kg)
	220♦	1490	6.8	19 lbs. (9 kg)
	240♦	1490	6.2	19 lbs. (9 kg)
GRAHL-60	120	1700	14.2	21 lbs. (10 kg)
	120/208	1700	9.2	21 lbs. (10 kg)
	120/240	1700	8.3	21 lbs. (10 kg)
	100	1700	17.0	21 lbs. (10 kg)
	100/200	1700	10.0	21 lbs. (10 kg)
	220♦	1700	7.7	21 lbs. (10 kg)
	240♦	1700	7.1	21 lbs. (10 kg)

Modèle	Tension	Intensité	Amps	Poids d'embarquement
GRAHL-66■	120	1860	15.5	22 lbs. (10 kg)
	120/208	1860	10.0	22 lbs. (10 kg)
	120/240	1860	9.0	22 lbs. (10 kg)
	100	1860	18.6	22 lbs. (10 kg)
	100/200	1860	10.8	22 lbs. (10 kg)
	220♦	1860	8.5	22 lbs. (10 kg)
	240♦	1860	7.8	22 lbs. (10 kg)
GRAHL-72■	120	2085	17.4	24 lbs. (11 kg)
	120/208	2085	11.3	24 lbs. (11 kg)
	120/240	2085	10.2	24 lbs. (11 kg)
	100	2085	20.9	24 lbs. (11 kg)
	100/200	2085	12.2	24 lbs. (11 kg)
	220♦	2085	9.5	24 lbs. (11 kg)
	240♦	2085	8.7	24 lbs. (11 kg)
GRAHL-84■	120	2470	20.6	28 lbs. (13 kg)
	120/208	2470	13.4	28 lbs. (13 kg)
	120/240	2470	12.0	28 lbs. (13 kg)
	100	2470	24.7	28 lbs. (13 kg)
	100/200	2470	14.5	28 lbs. (13 kg)
	220♦	2470	11.2	28 lbs. (13 kg)
	240♦	2470	10.3	28 lbs. (13 kg)
GRAHL-96■	120	2880	24.0	32 lbs. (15 kg)
	120/208	2880	15.5	32 lbs. (15 kg)
	120/240	2880	14.0	32 lbs. (15 kg)
	100	2880	28.8	32 lbs. (15 kg)
	100/200	2880	16.8	32 lbs. (15 kg)
	220♦	2880	13.1	32 lbs. (15 kg)
	240♦	2880	12.0	32 lbs. (15 kg)
GRAHL-108†	120	3040	25.3	36 lbs. (16 kg)
	208	3040	16.5	36 lbs. (16 kg)
	240	3040	14.9	36 lbs. (16 kg)
	100	3040	30.4	36 lbs. (16 kg)
	200	3040	17.9	36 lbs. (16 kg)
	220	3040	13.8	36 lbs. (16 kg)
	240	3040	12.7	36 lbs. (16 kg)
GRAHL-120†	120	3400	28.3	40 lbs. (18 kg)
	120/208	3400	18.5	40 lbs. (18 kg)
	120/240	3400	16.7	40 lbs. (18 kg)
	100	3400	34.0	40 lbs. (18 kg)
	100/200	3400	20.0	40 lbs. (18 kg)
	220	3400	15.5	40 lbs. (18 kg)
	240	3400	14.2	40 lbs. (18 kg)
GRAHL-132†	120	3780	31.5	44 lbs. (20 kg)
	120/208	3780	20.5	44 lbs. (20 kg)
	120/240	3780	18.5	44 lbs. (20 kg)
	100	3780	37.8	44 lbs. (20 kg)
	100/200	3780	22.2	44 lbs. (20 kg)
	220	3780	17.2	44 lbs. (20 kg)
	240	3780	15.8	44 lbs. (20 kg)
GRAHL-144†	120	4170	34.8	48 lbs. (22 kg)
	120/208	4170	22.6	48 lbs. (22 kg)
	120/240	4170	20.4	48 lbs. (22 kg)
	100	4170	41.7	48 lbs. (22 kg)
	100/200	4170	24.5	48 lbs. (22 kg)
	220	4170	19.0	48 lbs. (22 kg)
	240	4170	17.4	48 lbs. (22 kg)

Les zones ombrées contiennent des informations électriques pour les modèles internationaux uniquement.

NOTA: Les modèles GRAL et GRAHL possédant de multiples tensions énumérées, tels que 120/208, 120/240 ou 100/200, ont des circuits multiples. Par exemple, une unité de 120/208 volts utilise 120 volts pour le circuit lumineux et 208 volts pour le(s) circuit(s) chauffant(s). Consultez le schéma électrique fourni avec l'unité pour obtenir des informations spécifiques.

ATTENTION

Les rampes chauffantes équipées de lumières incandescentes qui nécessitent un disjoncteur de plus de 20 ampères pour l'élément chauffant doivent avoir un disjoncteur séparé pour les lumières incandescentes de 20 ampères ou moins.

Modèles GRA-XXD

Modèle	Tension	Intensité	Poids	
			Amps	d'embarquement
GRA-18D	120	500	4.2	14 lbs. (6 kg)
	208	500	2.4	14 lbs. (6 kg)
	240	500	2.1	14 lbs. (6 kg)
	100	500	5.0	14 lbs. (6 kg)
	200	500	2.5	14 lbs. (6 kg)
	220♦	500	2.3	14 lbs. (6 kg)
	240♦	500	2.1	14 lbs. (6 kg)
GRA-24D	120	700	5.8	16 lbs. (7 kg)
	208	700	3.4	16 lbs. (7 kg)
	240	700	2.9	16 lbs. (7 kg)
	100	700	7.0	16 lbs. (7 kg)
	200	700	3.5	16 lbs. (7 kg)
	220♦	700	3.2	16 lbs. (7 kg)
	240♦	700	2.9	16 lbs. (7 kg)
GRA-30D	120	900	7.5	18 lbs. (8 kg)
	208	900	4.3	18 lbs. (8 kg)
	240	900	3.8	18 lbs. (8 kg)
	100	900	9.0	18 lbs. (8 kg)
	200	900	4.5	18 lbs. (8 kg)
	220♦	900	4.1	18 lbs. (8 kg)
	240♦	900	3.8	18 lbs. (8 kg)
GRA-36D■	120	1150	9.6	21 lbs. (10 kg)
	208	1150	5.5	21 lbs. (10 kg)
	240	1150	4.8	21 lbs. (10 kg)
	100	1150	11.5	21 lbs. (10 kg)
	200	1150	5.8	21 lbs. (10 kg)
	220♦	1150	5.2	21 lbs. (10 kg)
	240♦	1150	4.8	21 lbs. (10 kg)
GRA-42D■	120	1350	11.3	24 lbs. (11 kg)
	208	1350	6.5	24 lbs. (11 kg)
	240	1350	5.6	24 lbs. (11 kg)
	100	1350	13.5	24 lbs. (11 kg)
	200	1350	6.8	24 lbs. (11 kg)
	220♦	1350	6.1	24 lbs. (11 kg)
	240♦	1350	5.6	24 lbs. (11 kg)
GRA-48D■	120	1600	13.3	27 lbs. (12 kg)
	208	1600	7.7	27 lbs. (12 kg)
	240	1600	6.7	27 lbs. (12 kg)
	100	1600	16.0	27 lbs. (12 kg)
	200	1600	8.0	27 lbs. (12 kg)
	220♦	1600	7.3	27 lbs. (12 kg)
	240♦	1600	6.7	27 lbs. (12 kg)
GRA-54D■	120	1850	15.4	30 lbs. (14 kg)
	208	1850	8.9	30 lbs. (14 kg)
	240	1850	7.7	30 lbs. (14 kg)
	100	1850	18.5	30 lbs. (14 kg)
	200	1850	9.3	30 lbs. (14 kg)
	220♦	1850	8.4	30 lbs. (14 kg)
	240♦	1850	7.7	30 lbs. (14 kg)
GRA-60D■	120	2100	17.5	34 lbs. (15 kg)
	208	2100	10.1	34 lbs. (15 kg)
	240	2100	8.8	34 lbs. (15 kg)
	100	2100	21.0	34 lbs. (15 kg)
	200	2100	10.5	34 lbs. (15 kg)
	220♦	2100	9.5	34 lbs. (15 kg)
	240♦	2100	8.8	34 lbs. (15 kg)

Modèle	Tension	Intensité	Poids	
			Amps	d'embarquement
GRA-66D■	120	2320	19.3	37 lbs. (17 kg)
	208	2320	11.2	37 lbs. (17 kg)
	240	2320	9.7	37 lbs. (17 kg)
	100	2320	23.2	37 lbs. (17 kg)
	200	2320	11.6	37 lbs. (17 kg)
	220♦	2320	10.5	37 lbs. (17 kg)
	240♦	2320	9.7	37 lbs. (17 kg)
GRA-72D■	120	2550	21.3	41 lbs. (19 kg)
	208	2550	12.3	41 lbs. (19 kg)
	240	2550	10.6	41 lbs. (19 kg)
	100	2550	25.5	41 lbs. (19 kg)
	200	2550	12.8	41 lbs. (19 kg)
	220♦	2550	11.6	41 lbs. (19 kg)
	240♦	2550	10.6	41 lbs. (19 kg)
GRA-84D†■	120	3000	25.0	44 lbs. (20 kg)
	208	3000	14.4	44 lbs. (20 kg)
	240	3000	12.5	44 lbs. (20 kg)
	100	3000	30.0	44 lbs. (20 kg)
	200	3000	15.0	44 lbs. (20 kg)
	220♦	3000	13.6	44 lbs. (20 kg)
	240♦	3000	12.5	44 lbs. (20 kg)
GRA-96D†■	120	3450	28.8	52 lbs. (24 kg)
	208	3450	16.6	52 lbs. (24 kg)
	240	3450	14.4	52 lbs. (24 kg)
	100	3450	34.5	52 lbs. (24 kg)
	200	3450	17.3	52 lbs. (24 kg)
	220♦	3450	15.7	52 lbs. (24 kg)
	240♦	3450	14.4	52 lbs. (24 kg)
GRA-108D†■	120	3700	30.8	59 lbs. (27 kg)
	208	3700	17.8	59 lbs. (27 kg)
	240	3700	15.4	59 lbs. (27 kg)
	100	3700	37.0	59 lbs. (27 kg)
	200	3700	18.5	59 lbs. (27 kg)
	220	3700	16.8	59 lbs. (27 kg)
	240	3700	15.4	59 lbs. (27 kg)
GRA-120D†	120	4200	35.0	66 lbs. (30 kg)
	208	4200	20.2	66 lbs. (30 kg)
	240	4200	17.5	66 lbs. (30 kg)
	100	4200	42.0	66 lbs. (30 kg)
	200	4200	21.0	66 lbs. (30 kg)
	220	4200	19.1	66 lbs. (30 kg)
	240	4200	17.5	66 lbs. (30 kg)
GRA-132D†	120	4640	38.7	73 lbs. (33 kg)
	208	4640	22.3	73 lbs. (33 kg)
	240	4640	19.3	73 lbs. (33 kg)
	100	4640	46.4	73 lbs. (33 kg)
	200	4640	23.2	73 lbs. (33 kg)
	220	4640	21.1	73 lbs. (33 kg)
	240	4640	19.3	73 lbs. (33 kg)
GRA-144D†	120	5100	42.5	80 lbs. (36 kg)
	208	5100	24.5	80 lbs. (36 kg)
	240	5100	21.3	80 lbs. (36 kg)
	100	5100	51.0	80 lbs. (36 kg)
	200	5100	25.5	80 lbs. (36 kg)
	220	5100	23.2	80 lbs. (36 kg)
	240	5100	21.3	80 lbs. (36 kg)

Les zones ombrées contiennent des informations électriques pour les modèles internationaux uniquement.

* Non disponible en 100 V ou 120 V.

♦ Les unités approuvées par la CE pour un fonctionnement à 220-230 V utilisent un système de chauffage de 220 V ; les unités CE 230-240 V utilisent un système de chauffage de 240 V.

Modèles GRAH-XXD

Modèle	Tension	Intensité	Amps	Poids d'embarquement
GRAH-18D	120	700	5.8	14 lbs. (6 kg)
	208	700	3.4	14 lbs. (6 kg)
	240	700	2.9	14 lbs. (6 kg)
	100	700	7.0	14 lbs. (6 kg)
	200	700	3.5	14 lbs. (6 kg)
	220♦	700	3.2	14 lbs. (6 kg)
	240♦	700	2.9	14 lbs. (6 kg)
GRAH-24D	120	1000	8.3	16 lbs. (7 kg)
	208	1000	4.8	16 lbs. (7 kg)
	240	1000	4.2	16 lbs. (7 kg)
	100	1000	10.0	16 lbs. (7 kg)
	200	1000	5.0	16 lbs. (7 kg)
	220♦	1000	4.5	16 lbs. (7 kg)
	240♦	1000	4.2	16 lbs. (7 kg)
GRAH-30D	120	1320	11.0	18 lbs. (8 kg)
	208	1320	6.3	18 lbs. (8 kg)
	240	1320	5.5	18 lbs. (8 kg)
	100	1320	13.2	18 lbs. (8 kg)
	200	1320	6.6	18 lbs. (8 kg)
	220♦	1320	6.0	18 lbs. (8 kg)
	240♦	1320	5.5	18 lbs. (8 kg)
GRAH-36D■	120	1600	13.3	21 lbs. (10 kg)
	208	1600	7.7	21 lbs. (10 kg)
	240	1600	6.7	21 lbs. (10 kg)
	100	1600	16.0	21 lbs. (10 kg)
	200	1600	8.0	21 lbs. (10 kg)
	220♦	1600	7.3	21 lbs. (10 kg)
	240♦	1600	6.7	21 lbs. (10 kg)
GRAH-42D■	120	1900	15.8	24 lbs. (11 kg)
	208	1900	9.1	24 lbs. (11 kg)
	240	1900	7.9	24 lbs. (11 kg)
	100	1900	19.0	24 lbs. (11 kg)
	200	1900	9.5	24 lbs. (11 kg)
	220♦	1900	8.6	24 lbs. (11 kg)
	240♦	1900	7.9	24 lbs. (11 kg)
GRAH-48D■	120	2200	18.3	27 lbs. (12 kg)
	208	2200	10.6	27 lbs. (12 kg)
	240	2200	9.2	27 lbs. (12 kg)
	100	2200	22.0	27 lbs. (12 kg)
	200	2200	11.0	27 lbs. (12 kg)
	220♦	2200	10.0	27 lbs. (12 kg)
	240♦	2200	9.2	27 lbs. (12 kg)
GRAH-54D■	120	2500	20.8	30 lbs. (14 kg)
	208	2500	12.0	30 lbs. (14 kg)
	240	2500	10.4	30 lbs. (14 kg)
	100	2500	25.0	30 lbs. (14 kg)
	200	2500	12.5	30 lbs. (14 kg)
	220♦	2500	11.4	30 lbs. (14 kg)
	240♦	2500	10.4	30 lbs. (14 kg)
GRAH-60D■	120	2800	23.3	34 lbs. (15 kg)
	208	2800	13.5	34 lbs. (15 kg)
	240	2800	11.7	34 lbs. (15 kg)
	100	2800	28.0	34 lbs. (15 kg)
	200	2800	14.0	34 lbs. (15 kg)
	220♦	2800	12.7	34 lbs. (15 kg)
	240♦	2800	11.7	34 lbs. (15 kg)

Modèle	Tension	Intensité	Amps	Poids d'embarquement
GRAH-66D■	120	3120	26.0	37 lbs. (17 kg)
	208	3120	15.0	37 lbs. (17 kg)
	240	3120	13.0	37 lbs. (17 kg)
	100	3120	31.2	37 lbs. (17 kg)
	200	3120	15.6	37 lbs. (17 kg)
	220♦	3120	14.2	37 lbs. (17 kg)
	240♦	3120	13.0	37 lbs. (17 kg)
GRAH-72D■	120	3450	28.8	41 lbs. (19 kg)
	208	3450	16.6	41 lbs. (19 kg)
	240	3450	14.4	41 lbs. (19 kg)
	100	3450	34.5	41 lbs. (19 kg)
	200	3450	17.3	41 lbs. (19 kg)
	220♦	3450	15.7	41 lbs. (19 kg)
	240♦	3450	14.4	41 lbs. (19 kg)
GRAH-84D†■	120	4100	34.2	44 lbs. (20 kg)
	208	4100	19.7	44 lbs. (20 kg)
	240	4100	17.1	44 lbs. (20 kg)
	100	4100	41.0	44 lbs. (20 kg)
	200	4100	20.5	44 lbs. (20 kg)
	220♦	4100	18.6	44 lbs. (20 kg)
	240♦	4100	17.1	44 lbs. (20 kg)
GRAH-96D†■	120	4800	40.0	52 lbs. (24 kg)
	208	4800	23.1	52 lbs. (24 kg)
	240	4800	20.0	52 lbs. (24 kg)
	100	4800	48.0	52 lbs. (24 kg)
	200	4800	24.0	52 lbs. (24 kg)
	220♦	4800	21.8	52 lbs. (24 kg)
	240♦	4800	20.0	52 lbs. (24 kg)
GRAH-108D†■	120	5000	41.7	59 lbs. (27 kg)
	208	5000	24.0	59 lbs. (27 kg)
	240	5000	20.8	59 lbs. (27 kg)
	100	5000	50.0	59 lbs. (27 kg)
	200	5000	25.0	59 lbs. (27 kg)
	220	5000	22.7	59 lbs. (27 kg)
	240	5000	20.8	59 lbs. (27 kg)
GRAH-120D♦†*	208	5600	26.9	66 lbs. (30 kg)
	240	5600	23.3	66 lbs. (30 kg)
	100	5600	---	66 lbs. (30 kg)
	200	5600	28.0	66 lbs. (30 kg)
	220	5600	25.5	66 lbs. (30 kg)
	240	5600	23.3	66 lbs. (30 kg)
GRAH-132D†*	208	6240	30.0	73 lbs. (33 kg)
	240	6240	26.0	73 lbs. (33 kg)
	100	6240	---	73 lbs. (33 kg)
	200	6240	31.2	73 lbs. (33 kg)
	220	6240	28.4	73 lbs. (33 kg)
	240	6240	26.0	73 lbs. (33 kg)
GRAH-144D†*	208	6900	33.2	80 lbs. (36 kg)
	240	6900	28.8	80 lbs. (36 kg)
	100	6900	---	80 lbs. (36 kg)
	200	6900	34.5	80 lbs. (36 kg)
	220	6900	31.4	80 lbs. (36 kg)
	240	6900	28.8	80 lbs. (36 kg)

• Les modèles à 100 V et 120 V qui utilisent un interrupteur en continu exigent des éléments en tandem (mis bout-à-bout) ; consultez l'usine pour les applications.

■ Les modèles à 100 V et 120 V peuvent exiger des interrupteurs supplémentaires, consultez l'usine pour les applications.

† Les modèles Glo-Ray de 108 po à 144 po (2 743 à 3 658 mm) et les modèles à 120 V du GRA-84 et du GRA-96 contiennent des éléments en tandem (mis bout-à-bout) qui peuvent être contrôlés individuellement.

Modèles GRAL-XXD

Modèle	Tension	Intensité	Amps	Poids d'embarquement
GRAL-18D	120	620	5.2	14 lbs. (6 kg)
	120/208	620	3.4	14 lbs. (6 kg)
	120/240	620	3.1	14 lbs. (6 kg)
	100	620	6.2	14 lbs. (6 kg)
	100/200	620	3.7	14 lbs. (6 kg)
	220♦	620	2.8	14 lbs. (6 kg)
	240♦	620	2.6	14 lbs. (6 kg)
GRAL-24D	120	820	6.8	16 lbs. (7 kg)
	120/208	820	4.4	16 lbs. (7 kg)
	120/240	820	3.9	16 lbs. (7 kg)
	100	820	8.2	16 lbs. (7 kg)
	100/200	820	4.7	16 lbs. (7 kg)
	220♦	820	3.7	16 lbs. (7 kg)
	240♦	820	3.4	16 lbs. (7 kg)
GRAL-30D	120	1020	8.5	19 lbs. (9 kg)
	120/208	1020	5.3	19 lbs. (9 kg)
	120/240	1020	4.8	19 lbs. (9 kg)
	100	1020	10.2	19 lbs. (9 kg)
	100/200	1020	5.7	19 lbs. (9 kg)
	220♦	1020	4.6	19 lbs. (9 kg)
	240♦	1020	4.3	19 lbs. (9 kg)
GRAL-36D	120	1330	11.1	22 lbs. (10 kg)
	120/208	1330	7.0	22 lbs. (10 kg)
	120/240	1330	6.3	22 lbs. (10 kg)
	100	1330	13.3	22 lbs. (10 kg)
	100/200	1330	7.6	22 lbs. (10 kg)
	220♦	1330	6.0	22 lbs. (10 kg)
	240♦	1330	5.5	22 lbs. (10 kg)
GRAL-42D	120	1530	12.8	25 lbs. (11 kg)
	120/208	1530	8.0	25 lbs. (11 kg)
	120/240	1530	7.1	25 lbs. (11 kg)
	100	1530	15.3	25 lbs. (11 kg)
	100/200	1530	8.6	25 lbs. (11 kg)
	220♦	1530	7.0	25 lbs. (11 kg)
	240♦	1530	6.4	25 lbs. (11 kg)
GRAL-48D■	120	1840	15.3	29 lbs. (13 kg)
	120/208	1840	9.7	29 lbs. (13 kg)
	120/240	1840	8.7	29 lbs. (13 kg)
	100	1840	18.4	29 lbs. (13 kg)
	100/200	1840	10.4	29 lbs. (13 kg)
	220♦	1840	8.4	29 lbs. (13 kg)
	240♦	1840	7.7	29 lbs. (13 kg)
GRAL-54D■	120	2090	17.4	33 lbs. (15 kg)
	120/208	2090	10.9	33 lbs. (15 kg)
	120/240	2090	9.7	33 lbs. (15 kg)
	100	2090	20.9	33 lbs. (15 kg)
	100/200	2090	11.7	33 lbs. (15 kg)
	220♦	2090	9.5	33 lbs. (15 kg)
	240♦	2090	8.7	33 lbs. (15 kg)
GRAL-60D■	120	2400	20.0	37 lbs. (17 kg)
	120/208	2400	12.6	37 lbs. (17 kg)
	120/240	2400	11.3	37 lbs. (17 kg)
	100	2400	24.0	37 lbs. (17 kg)
	100/200	2400	13.5	37 lbs. (17 kg)
	220♦	2400	10.9	37 lbs. (17 kg)
	240♦	2400	10.0	37 lbs. (17 kg)

Modèle	Tension	Intensité	Amps	Poids d'embarquement
GRAL-66D■	120	2620	21.8	40 lbs. (18 kg)
	120/208	2620	13.7	40 lbs. (18 kg)
	120/240	2620	12.2	40 lbs. (18 kg)
	100	2620	26.2	40 lbs. (18 kg)
	100/200	2620	14.6	40 lbs. (18 kg)
	220♦	2620	11.9	40 lbs. (18 kg)
	240♦	2620	10.9	40 lbs. (18 kg)
GRAL-72D■	120	2910	24.3	42 lbs. (19 kg)
	120/208	2910	15.3	42 lbs. (19 kg)
	120/240	2910	13.6	42 lbs. (19 kg)
	100	2910	29.1	42 lbs. (19 kg)
	100/200	2910	16.4	42 lbs. (19 kg)
	220♦	2910	13.2	42 lbs. (19 kg)
	240♦	2910	12.1	42 lbs. (19 kg)
GRAL-84D■	120	3420	28.5	47 lbs. (21 kg)
	120/208	3420	17.9	47 lbs. (21 kg)
	120/240	3420	16.0	47 lbs. (21 kg)
	100	3420	34.2	47 lbs. (21 kg)
	100/200	3420	19.2	47 lbs. (21 kg)
	220♦	3420	15.5	47 lbs. (21 kg)
	240♦	3420	14.3	47 lbs. (21 kg)
GRAL-96D■	120	3930	32.8	56 lbs. (25 kg)
	120/208	3930	20.6	56 lbs. (25 kg)
	120/240	3930	18.4	56 lbs. (25 kg)
	100	3930	39.3	56 lbs. (25 kg)
	100/200	3930	22.1	56 lbs. (25 kg)
	220♦	3930	17.9	56 lbs. (25 kg)
	240♦	3930	16.4	56 lbs. (25 kg)
GRAL-108D†■	120	4240	35.3	64 lbs. (29 kg)
	120/208	4240	22.3	64 lbs. (29 kg)
	120/240	4240	19.9	64 lbs. (29 kg)
	100	4240	42.4	64 lbs. (29 kg)
	100/200	4240	23.9	64 lbs. (29 kg)
	220♦	4240	19.3	64 lbs. (29 kg)
	240♦	4240	17.7	64 lbs. (29 kg)
GRAL-120D†*	120/208	4800	25.2	72 lbs. (33 kg)
	120/240	4800	22.5	72 lbs. (33 kg)
	100	4800	---	72 lbs. (33 kg)
	100/200	4800	27.0	72 lbs. (33 kg)
	220♦	4800	21.8	72 lbs. (33 kg)
	240♦	4800	20.0	72 lbs. (33 kg)
	GRAL-132D†*■	120/208	5300	27.8
120/240		5300	24.8	79 lbs. (36 kg)
100		5300	---	79 lbs. (36 kg)
100/200		5300	29.8	79 lbs. (36 kg)
220♦		5300	24.1	79 lbs. (36 kg)
240♦		5300	22.1	79 lbs. (36 kg)
GRAL-144D†*		120/208	5820	30.5
	120/240	5820	27.3	86 lbs. (39 kg)
	100	5820	---	86 lbs. (39 kg)
	100/200	5820	32.7	86 lbs. (39 kg)
	220♦	5820	26.5	86 lbs. (39 kg)
	240♦	5820	24.3	86 lbs. (39 kg)

* Non disponible en 100 V ou 120 V.

♦ Les unités approuvées par la CE pour un fonctionnement à 220-230 V utilisent un système de chauffage de 220 V ; les unités CE 230-240 V utilisent un système de chauffage de 240 V.

• Les modèles à 100 V et 120 V qui utilisent un interrupteur en continu exigent des éléments en tandem (mis bout-à-bout) ; consultez l'usine pour les applications.

■ Les modèles à 100 V et 120 V peuvent exiger des interrupteurs supplémentaires, consultez l'usine pour les applications.

† Les modèles Glo-Ray de 108 po à 144 po (2 743 à 3 658 mm) et les modèles à 120 V du GRA-84 et du GRA-96 contiennent des éléments en tandem (mis bout-à-bout) qui peuvent être contrôlés individuellement.

Modèles GRAHL-XXD

Modèle	Tension	Intensité	Amps	Poids d'embarquement
GRAHL-18D	120	820	6.8	14 lbs. (6 kg)
	120/208	820	4.4	14 lbs. (6 kg)
	120/240	820	3.9	14 lbs. (6 kg)
	100	820	8.2	14 lbs. (6 kg)
	100/200	820	4.7	14 lbs. (6 kg)
	220♦	820	3.7	14 lbs. (6 kg)
	240♦	820	3.4	14 lbs. (6 kg)
GRAHL-24D	120	1120	9.3	16 lbs. (7 kg)
	120/208	1120	5.8	16 lbs. (7 kg)
	120/240	1120	5.2	16 lbs. (7 kg)
	100	1120	11.2	16 lbs. (7 kg)
	100/200	1120	6.2	16 lbs. (7 kg)
	220♦	1120	5.1	16 lbs. (7 kg)
	240♦	1120	4.7	16 lbs. (7 kg)
GRAHL-30D	120	1440	12.0	19 lbs. (9 kg)
	120/208	1440	7.3	19 lbs. (9 kg)
	120/240	1440	6.5	19 lbs. (9 kg)
	100	1440	14.4	19 lbs. (9 kg)
	100/200	1440	7.8	19 lbs. (9 kg)
	220♦	1440	6.5	19 lbs. (9 kg)
	240♦	1440	6.0	19 lbs. (9 kg)
GRAHL-36D■	120	1780	14.8	22 lbs. (10 kg)
	120/208	1780	9.2	22 lbs. (10 kg)
	120/240	1780	8.2	22 lbs. (10 kg)
	100	1780	17.8	22 lbs. (10 kg)
	100/200	1780	9.8	22 lbs. (10 kg)
	220♦	1780	8.1	22 lbs. (10 kg)
	240♦	1780	7.4	22 lbs. (10 kg)
GRAHL-42D■	120	2080	17.3	25 lbs. (11 kg)
	120/208	2080	10.6	25 lbs. (11 kg)
	120/240	2080	9.4	25 lbs. (11 kg)
	100	2080	20.8	25 lbs. (11 kg)
	100/200	2080	11.3	25 lbs. (11 kg)
	220♦	2080	9.5	25 lbs. (11 kg)
	240♦	2080	8.7	25 lbs. (11 kg)
GRAHL-48D■	120	2440	20.3	29 lbs. (13 kg)
	120/208	2440	12.6	29 lbs. (13 kg)
	120/240	2440	11.2	29 lbs. (13 kg)
	100	2440	24.4	29 lbs. (13 kg)
	100/200	2440	13.4	29 lbs. (13 kg)
	220♦	2440	11.1	29 lbs. (13 kg)
	240♦	2440	10.2	29 lbs. (13 kg)
GRAHL-54D■	120	2740	22.8	33 lbs. (15 kg)
	120/208	2740	14.0	33 lbs. (15 kg)
	120/240	2740	12.4	33 lbs. (15 kg)
	100	2740	27.4	33 lbs. (15 kg)
	100/200	2740	14.9	33 lbs. (15 kg)
	220♦	2740	12.5	33 lbs. (15 kg)
	240♦	2740	11.4	33 lbs. (15 kg)
GRAHL-60D■	120	3100	25.8	37 lbs. (17 kg)
	120/208	3100	16.0	37 lbs. (17 kg)
	120/240	3100	14.2	37 lbs. (17 kg)
	100	3100	31.0	37 lbs. (17 kg)
	100/200	3100	17.0	37 lbs. (17 kg)
	220♦	3100	14.1	37 lbs. (17 kg)
	240♦	3100	12.9	37 lbs. (17 kg)

Modèle	Tension	Intensité	Amps	Poids d'embarquement
GRAHL-66D■	120	3420	28.5	40 lbs. (18 kg)
	120/208	3420	17.5	40 lbs. (18 kg)
	120/240	3420	15.5	40 lbs. (18 kg)
	100	3420	34.2	40 lbs. (18 kg)
	100/200	3420	18.6	40 lbs. (18 kg)
	220♦	3420	15.5	40 lbs. (18 kg)
	240♦	3420	14.3	40 lbs. (18 kg)
GRAHL-72D■	120	3810	31.8	42 lbs. (19 kg)
	120/208	3810	19.6	42 lbs. (19 kg)
	120/240	3810	17.4	42 lbs. (19 kg)
	100	3810	38.1	42 lbs. (19 kg)
	100/200	3810	20.9	42 lbs. (19 kg)
	220♦	3810	17.3	42 lbs. (19 kg)
	240♦	3810	15.9	42 lbs. (19 kg)
GRAHL-84D†■	120	4520	37.7	47 lbs. (21 kg)
	120/208	4520	23.2	47 lbs. (21 kg)
	120/240	4520	20.6	47 lbs. (21 kg)
	100	4520	45.2	47 lbs. (21 kg)
	100/200	4520	24.7	47 lbs. (21 kg)
	220♦	4520	20.5	47 lbs. (21 kg)
	240♦	4520	18.8	47 lbs. (21 kg)
GRAHL-96D†■	120	5280	44.0	56 lbs. (25 kg)
	120/208	5280	27.1	56 lbs. (25 kg)
	120/240	5280	24.0	56 lbs. (25 kg)
	100	5280	52.8	56 lbs. (25 kg)
	100/200	5280	28.8	56 lbs. (25 kg)
	220♦	5280	24.0	56 lbs. (25 kg)
	240♦	5280	22.0	56 lbs. (25 kg)
GRAHL-108D†■	120	5540	46.2	64 lbs. (29 kg)
	120/208	5540	28.5	64 lbs. (29 kg)
	120/240	5540	25.3	64 lbs. (29 kg)
	100	5540	55.4	64 lbs. (29 kg)
	100/200	5540	30.4	64 lbs. (29 kg)
	220♦	5540	25.2	64 lbs. (29 kg)
	240♦	5540	23.1	64 lbs. (29 kg)
GRAHL-120D†*	120/208	6200	31.9	72 lbs. (33 kg)
	120/240	6200	28.3	72 lbs. (33 kg)
	100	6200	---	72 lbs. (33 kg)
	100/200	6200	34.0	72 lbs. (33 kg)
	220♦	6200	28.2	72 lbs. (33 kg)
	240♦	6200	25.8	72 lbs. (33 kg)
	GRAHL-132D†*	120/208	6900	35.5
120/240		6900	31.5	79 lbs. (36 kg)
100		6900	---	79 lbs. (36 kg)
100/200		6900	37.8	79 lbs. (36 kg)
220♦		6900	31.4	79 lbs. (36 kg)
240♦		6900	28.8	79 lbs. (36 kg)
GRAHL-144D†*		120/208	7620	39.2
	120/240	7620	34.8	86 lbs. (39 kg)
	100	7620	---	86 lbs. (39 kg)
	100/200	7620	41.7	86 lbs. (39 kg)
	220♦	7620	34.6	86 lbs. (39 kg)
	240♦	7620	31.8	86 lbs. (39 kg)

Les zones ombrées contiennent des informations électriques pour les modèles internationaux uniquement.


ATTENTION

Les rampes chauffantes équipées de lumières incandescentes qui nécessitent un disjoncteur de plus de 20 ampères pour l'élément chauffant doivent avoir un disjoncteur séparé pour les lumières incandescentes de 20 ampères ou moins.

Modèles GRN

Modèle	Tension	Intensité	Amps	Poids d'embarquement
GRN-18	120	250	2.1	6 lbs. (3 kg)
	208	250	1.2	6 lbs. (3 kg)
	240	250	1.0	6 lbs. (3 kg)
	100	250	2.5	6 lbs. (3 kg)
	200	250	1.3	6 lbs. (3 kg)
	220♦	250	1.1	6 lbs. (3 kg)
	240♦	250	1.0	6 lbs. (3 kg)
GRN-24	120	350	2.9	7 lbs. (3 kg)
	208	350	1.7	7 lbs. (3 kg)
	240	350	1.5	7 lbs. (3 kg)
	100	350	3.5	7 lbs. (3 kg)
	200	350	1.8	7 lbs. (3 kg)
	220♦	350	1.6	7 lbs. (3 kg)
	240♦	350	1.5	7 lbs. (3 kg)
GRN-30	120	450	3.8	8 lbs. (4 kg)
	208	450	2.2	8 lbs. (4 kg)
	240	450	1.9	8 lbs. (4 kg)
	100	450	4.5	8 lbs. (4 kg)
	200	450	2.3	8 lbs. (4 kg)
	220♦	450	2.1	8 lbs. (4 kg)
	240♦	450	1.9	8 lbs. (4 kg)
GRN-36	120	575	4.8	9 lbs. (4 kg)
	208	575	2.8	9 lbs. (4 kg)
	240	575	2.4	9 lbs. (4 kg)
	100	575	5.8	9 lbs. (4 kg)
	200	575	2.9	9 lbs. (4 kg)
	220♦	575	2.6	9 lbs. (4 kg)
	240♦	575	2.4	9 lbs. (4 kg)
GRN-42	120	675	5.6	10 lbs. (5 kg)
	208	675	3.2	10 lbs. (5 kg)
	240	675	2.8	10 lbs. (5 kg)
	100	675	6.8	10 lbs. (5 kg)
	200	675	3.4	10 lbs. (5 kg)
	220♦	675	3.1	10 lbs. (5 kg)
	240♦	675	2.8	10 lbs. (5 kg)

Modèle	Tension	Intensité	Amps	Poids d'embarquement
GRN-48	120	800	6.7	11 lbs. (5 kg)
	208	800	3.8	11 lbs. (5 kg)
	240	800	3.3	11 lbs. (5 kg)
	100	800	8.0	11 lbs. (5 kg)
	200	800	4.0	11 lbs. (5 kg)
	220♦	800	3.6	11 lbs. (5 kg)
	240♦	800	3.3	11 lbs. (5 kg)
GRN-54	120	925	7.7	13 lbs. (6 kg)
	208	925	4.4	13 lbs. (6 kg)
	240	925	3.9	13 lbs. (6 kg)
	100	925	9.3	13 lbs. (6 kg)
	200	925	4.6	13 lbs. (6 kg)
	220♦	925	4.2	13 lbs. (6 kg)
	240♦	925	3.9	13 lbs. (6 kg)
GRN-60	120	1050	8.8	14 lbs. (6 kg)
	208	1050	5.0	14 lbs. (6 kg)
	240	1050	4.4	14 lbs. (6 kg)
	100	1050	10.5	14 lbs. (6 kg)
	200	1050	5.3	14 lbs. (6 kg)
	220♦	1050	4.8	14 lbs. (6 kg)
	240♦	1050	4.4	14 lbs. (6 kg)
GRN-66	120	1160	9.7	16 lbs. (7 kg)
	208	1160	5.6	16 lbs. (7 kg)
	240	1160	4.8	16 lbs. (7 kg)
	100	1160	11.6	16 lbs. (7 kg)
	200	1160	5.8	16 lbs. (7 kg)
	220♦	1160	5.3	16 lbs. (7 kg)
	240♦	1160	4.8	16 lbs. (7 kg)
GRN-72	120	1275	10.6	17 lbs. (8 kg)
	208	1275	6.1	17 lbs. (8 kg)
	240	1275	5.3	17 lbs. (8 kg)
	100	1275	12.8	17 lbs. (8 kg)
	200	1275	6.4	17 lbs. (8 kg)
	220♦	1275	5.8	17 lbs. (8 kg)
	240♦	1275	5.3	17 lbs. (8 kg)

Les zones ombrées contiennent des informations électriques pour **les modèles internationaux uniquement**.

♦ Les unités approuvées par la CE pour un fonctionnement à 220-230 V utilisent un système de chauffage de 220 V ; les unités CE 230-240 V utilisent un système de chauffage de 240 V.

Modèles GRNH

Modèle	Tension	Intensité	Amps	Poids d'embarquement
GRNH-18	120	350	2.9	6 lbs. (3 kg)
	208	350	1.7	6 lbs. (3 kg)
	240	350	1.5	6 lbs. (3 kg)
	100	350	3.5	6 lbs. (3 kg)
	200	350	1.8	6 lbs. (3 kg)
	220♦	350	1.6	6 lbs. (3 kg)
	240♦	350	1.5	6 lbs. (3 kg)
GRNH-24	120	500	4.2	7 lbs. (3 kg)
	208	500	2.4	7 lbs. (3 kg)
	240	500	2.1	7 lbs. (3 kg)
	100	500	5.0	7 lbs. (3 kg)
	200	500	2.5	7 lbs. (3 kg)
	220♦	500	2.3	7 lbs. (3 kg)
	240♦	500	2.1	7 lbs. (3 kg)
GRNH-30	120	660	5.5	8 lbs. (4 kg)
	208	660	3.2	8 lbs. (4 kg)
	240	660	2.8	8 lbs. (4 kg)
	100	660	6.6	8 lbs. (4 kg)
	200	660	3.3	8 lbs. (4 kg)
	220♦	660	3.0	8 lbs. (4 kg)
	240♦	660	2.8	8 lbs. (4 kg)
GRNH-36	120	800	6.7	9 lbs. (4 kg)
	208	800	3.8	9 lbs. (4 kg)
	240	800	3.3	9 lbs. (4 kg)
	100	800	8.0	9 lbs. (4 kg)
	200	800	4.0	9 lbs. (4 kg)
	220♦	800	3.6	9 lbs. (4 kg)
	240♦	800	3.3	9 lbs. (4 kg)
GRNH-42	120	950	7.9	10 lbs. (5 kg)
	208	950	4.6	10 lbs. (5 kg)
	240	950	4.0	10 lbs. (5 kg)
	100	950	9.5	10 lbs. (5 kg)
	200	950	4.8	10 lbs. (5 kg)
	220♦	950	4.3	10 lbs. (5 kg)
	240♦	950	4.0	10 lbs. (5 kg)

Modèle	Tension	Intensité	Amps	Poids d'embarquement
GRNH-48	120	1100	9.2	11 lbs. (5 kg)
	208	1100	5.3	11 lbs. (5 kg)
	240	1100	4.6	11 lbs. (5 kg)
	100	1100	11.0	11 lbs. (5 kg)
	200	1100	5.5	11 lbs. (5 kg)
	220♦	1100	5.0	11 lbs. (5 kg)
	240♦	1100	4.6	11 lbs. (5 kg)
GRNH-54	120	1250	10.4	13 lbs. (6 kg)
	208	1250	6.0	13 lbs. (6 kg)
	240	1250	5.2	13 lbs. (6 kg)
	100	1250	12.5	13 lbs. (6 kg)
	200	1250	6.3	13 lbs. (6 kg)
	220♦	1250	5.7	13 lbs. (6 kg)
	240♦	1250	5.2	13 lbs. (6 kg)
GRNH-60	120	1400	11.7	14 lbs. (6 kg)
	208	1400	6.7	14 lbs. (6 kg)
	240	1400	5.8	14 lbs. (6 kg)
	100	1400	14.0	14 lbs. (6 kg)
	200	1400	7.0	14 lbs. (6 kg)
	220♦	1400	6.4	14 lbs. (6 kg)
	240♦	1400	5.8	14 lbs. (6 kg)
GRNH-66‡	120	1560	13.0	16 lbs. (7 kg)
	208	1560	7.5	16 lbs. (7 kg)
	240	1560	6.5	16 lbs. (7 kg)
	100	1560	15.6	16 lbs. (7 kg)
	200	1560	7.8	16 lbs. (7 kg)
	220♦	1560	7.1	16 lbs. (7 kg)
	240♦	1560	6.5	16 lbs. (7 kg)
GRNH-72‡	120	1725	14.4	17 lbs. (8 kg)
	208	1725	8.3	17 lbs. (8 kg)
	240	1725	7.2	17 lbs. (8 kg)
	100	1725	17.3	17 lbs. (8 kg)
	200	1725	8.6	17 lbs. (8 kg)
	220♦	1725	7.8	17 lbs. (8 kg)
	240♦	1725	7.2	17 lbs. (8 kg)

Les zones ombrées contiennent des informations électriques pour **les modèles internationaux uniquement**.

‡ Le modèle à 120 V ne peut pas être muni d'un interrupteur en continu à distance.

♦ Les unités approuvées par la CE pour un fonctionnement à 220-230 V utilisent un système de chauffage de 220 V ; les unités CE 230-240 V utilisent un système de chauffage de 240 V.

The logo for HATCO CORPORATION is a light gray oval containing a stylized 'H' and 'C' in white. The 'H' is on the left and the 'C' is on the right, both with a slight shadow effect.

HATCO CORPORATION
P.O. Box 340500
Milwaukee, WI 53234-0500 U.S.A.
(800) 558-0607 (414) 671-6350
Parts and Service Fax (800) 690-2966
International Fax (414) 671-3976
partsandservice@hatcocorp.com
www.hatcocorp.com