



Glass Lined Airpot Use and Care Guide

05/2026



Critical Information

Thermal Shock Risk: The glass liner may shatter if subjected to sudden temperature changes or physical impact, causing burns or cuts.

Handling Airpot: Avoid bumping or dropping the airpot; the inner glass liner is fragile.

Allow Pressure Equalization: After filling with hot liquids, do not fully secure the lid for at least 3 minutes to allow pressure equalization.

Foreign Objects in Liner: Do not add ice, carbonated drinks, dry ice, or sharp objects. These will damage the liner.



WARNING
To prevent
personal injury.

CAUTION
Hot surface,
burn risk.

Safety Warnings & Precautions

Thermal Shock Risk: The glass liner may shatter if subjected to sudden temperature changes or physical impact, causing burns or cuts.

Do Not Use if Damaged: Product should not be used if damage is found. Contact an authorized service center.

Preheat Cold Flask: Always preheat a cold flask before adding hot liquid. Thermal shock can cause the glass liner to shatter. Refer to Operation section.

Allow Pressure Equalization: After filling the airpot with hot liquids, do not fully secure the lid for at least 3 minutes to allow pressure equalization.

Temperature Changes: Avoid extreme temperature changes, e.g., taking a hot airpot into freezing conditions.

Foreign Objects in Liner: Do not add ice, carbonated drinks, dry ice, or sharp objects into the airpot, as they will damage the liner.

Glass Lined Airpot

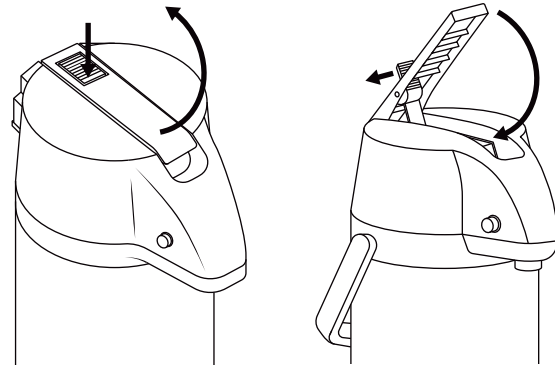


Initial Setup

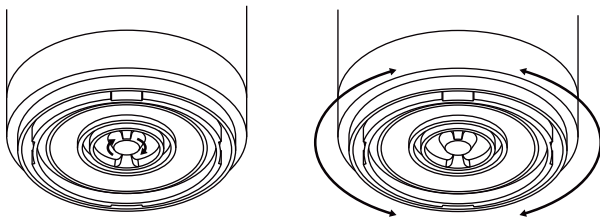
Unboxing: Open the packaging with care.

- When using scissors or a box cutter to open the box, be careful not to damage the airpot.
- Ensure you do not damage the airpot or its components when removing from the box.
- If any damage is present, contact customer service immediately.

Handling Airpot: Avoid bumping or dropping the airpot; the inner glass liner is fragile.



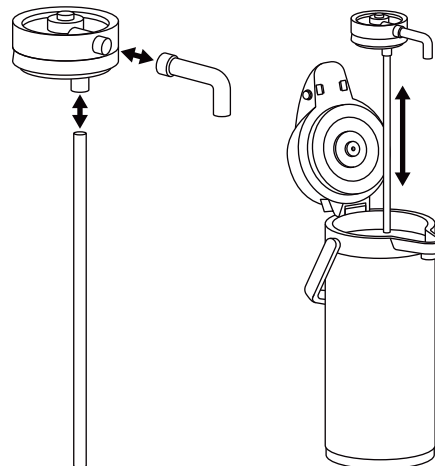
Pump Lever: Slide the button to release the pump lever. The lock will engage with the cap. To disengage the lock, slide the button to release the lock from the cap. Press the lever down.



Bottom Cap: Ensure the bottom cap is tightened on the base.

Rotating Base: Verify that the bottom of the base rotates freely.

Placement: Never place the airpot in a microwave, oven, stovetop, or dishwasher.



First Time Cleaning: Hand wash the airpot and pump stem with clean, warm water before using it for the first time. Do not clean the airpot or attachments in a dishwasher.



Glass Lined Airpot



Operation

Release Lid: Release the lid using the spout buttons.

Remove Pump Stem: Pull the pump stem out and clean with warm water and dish soap. Wash multiple times with warm water to flush out any remaining soap.

Preheat or Precool:

- **Prepping for Hot Beverages:** Preheat the liner by adding warm water (155-175°F). Wait 3-5 minutes, then empty the airpot. This reduces the risk of thermal shock and improves heat retention.
- **Prepping for Cold Beverages:** Clean out the liner to remove any residual contents from prior use. To precool the liner, rinse with cold water for 1-2 minutes. Do not add ice or dry ice to precool the liner.

Fill with Beverage: Leave about 1½" below the top of the unit. This will prevent overflowing liquids when inserting the pump stem.

Note: If filling the airpot with hot liquids, do not fully secure the lid for at least 3 minutes to allow pressure equalization.

Install Pump Stem: Insert the pump stem into the airpot. Close the lid and check that the spout buttons are engaged.

Dispensing Beverages: Use the lever action to dispense beverage.

Cleaning & Storing

Important: Never submerge the entire airpot in water. This will damage the unit.

Daily Cleaning

1. **Remove Stem:** Release the lid using the spout buttons. Remove the pump stem.
2. **Clean the Stem:** Rinse the stem with warm water and dish soap. Use a small stem brush to clean the inside of the stem.
3. **Clean the Airpot:** Use warm water and dish soap to clean the inside of the airpot. Use a soft brush to remove any residue or stains. Do not use abrasive cleaners or scrub pads.
4. **Flush the Unit:** Place warm water in the unit, insert the stem and close the lid. Pump warm water through the unit multiple times to flush out remaining soap or debris.
5. **Exterior Cleaning:** Wipe the unit with a damp cloth to ensure it is clean.
Note: Use warm water with vinegar or lemon juice to remove hard stains or mineral buildup. Flush with clean, warm water multiple times.
6. **Storage:** Store the airpot with the lid open to allow complete drying and prevent odors.



Glass Lined Airpot



Troubleshooting

PROBLEM	POSSIBLE CAUSE	SOLUTION
Lid will not close.	The lid or pump stem is obstructed.	Check for obstructions in the lid or around the top of the stem.
	The pump stem is not seated properly.	Verify that the stem is inserted into the lid.
Airpot not pumping / weak flow.	Missing pump stem.	Insert pump stem.
	Residue or mineral buildup.	Clean the unit. Refer to Daily Cleaning section.
	Pump lever stuck.	Check for obstructions around the lever.
	Missing or damaged rubber seal.	Check that the rubber seal around the pump handle is in good condition and not missing.