

Genesis

GCS445SE

4-1/2" Compact Circular Saw

Scie circulaire compacte de 115 mm

Sierra circular compacta de 4-1/2"

Operator's Manual

Manuel d'utilisation

Manual del Operario



TOLL FREE
HELP LINE: **888-552-8665**
WEBSITE: www.genesispowertools.com

SPECIFICATIONS

- Model: ----- GCS445SE
- Rated Power: ----- 120V~ /60Hz, 4.0 Amp
- No Load Speed: ----- 3500 RPM
- Blade Size: ----- 4-1/2" (115mm)
- Arbor Size: ----- 3/8" (9.5mm)
- Cutting Capacity at 90°: ----- 1-11/16"
- Cutting Capacity at 45°: ----- 1-1/8"
- Net Weight: ----- 4.7 lb

Includes: 24T Carbide-tipped blade, Rip guide, Vacuum adaptor and Allen wrench

⚠ WARNING: To reduce the risk of injury, user must read and understand this operator's manual before operating this tool. Save this Manual for future reference.

Toll-Free Help Line: 1-888-552-8665



⚠ WARNING: The Operation of any power tool can result in foreign objects being thrown into your eyes, which can result in severe eye damage. Before beginning tool operation, always wear safety goggles or safety glasses with side shields and a full face shield when needed. We recommend Wide Vision Safety Mask for use over eyeglasses or standard safety glasses with side shields. Always wear eye protection which is marked to comply with ANSI Z87.1.



Look for this symbol to point out important safety precautions. It means attention!!! Your safety is involved.

Mans.io

GENERAL SAFETY RULES

⚠ WARNING: Some dust created by power sanding, sawing, grinding, drilling, and other construction activities contains chemicals known to cause cancer, birth defects or other reproductive harm. Some examples of these chemicals are:

- Lead from lead-based paints.
- Crystalline silica from bricks and cement and other masonry products.
- Arsenic and chromium from chemically treated lumber.

Your risk from these exposures varies, depending on how often you do this type of work. To reduce your exposure to these chemicals: work in a well ventilated area, and work with approved safety equipment, such as those dust masks that are specially designed to filter out microscopic particles.

⚠ WARNING: Read and understand all warnings, cautions and operating instructions before using this equipment. Failure to follow all instructions listed below may result in electric shock, fire and/or serious personal injury.

SAVE THESE INSTRUCTIONS

WORK AREA SAFETY

- **Keep your work area clean and well lit.** Cluttered benches and dark areas invite accidents.
- **Do not operate power tools in explosive atmospheres**, such as in the presence of flammable liquids, gases, or dust. Power tools create sparks which may ignite the dust or fumes.

- **Keep bystanders, children, and visitors away while operating a power tool.** Distractions can cause you to lose control.

ELECTRICAL SAFETY

- **Power tool plugs must match the outlet.** Never modify the plug in any way. Do not use any adaptor plugs in any earthed (grounded) power tools. Double insulated tools are equipped with a polarized plug (one blade is wider than the other). This plug will fit in a polarized outlet only one way. If the plug does not fit fully in the outlet, reverse the plug. If it still does not fit, contact a qualified electrician to install a polarized outlet. Do not change the plug in any way. Double insulation eliminates the need for the three wire grounded power cord and grounded power supply system.
- **Do not expose power tools to rain or wet conditions.** Water entering a power tool will increase the risk of electric shock.
- **Avoid body contact with earthed or grounded surfaces such as pipes, radiators, ranges and refrigerators.** There is an increased risk of electric shock if your body is grounded.
- **Do not abuse the cord.** Never use the cord for carrying, pulling or unplugging the power tool. Keep cord away from heat, oil, sharp edges or moving parts. Damaged cords increase the risk of electric shock.
- **When operating a power tool outside, use an extension cord suitable for outdoor use.** These cords are rated for outdoor use and reduce the risk of electric shock.
- **Do not use AC only rated tools with a DC power supply.** While the tool may appear to work. The electrical components of the AC rated tool are likely to fail and rate a hazard to the operator.

PERSONAL SAFETY

- **Stay alert,** watch what you are doing and use common sense when operating a power tool. Do not use tool while tired or under the influence of drugs, alcohol, or medication. A moment of inattention while operating power tools may result in serious personal injury.
- **Use safety equipment.** Always wear eye protection. Safety equipment such as dust mask, non-skid safety shoes, hard hat, or hearing protection for appropriate conditions will reduce personal injuries.
- **Dress properly.** Do not wear loose clothing or jewelry. Keep your hair, clothing and gloves away from moving parts. Loose clothes, jewelry or long hair can be caught in moving parts. Air vents may cover moving parts and should be avoided.
- **Avoid accidental starting.** Ensure the switch is in the off position before plugging in. Carrying power tool with your finger on the switch or plugging in power tools that have the switch on invites accidents.
- **Remove any adjusting keys or wrenches before turning the power tool on.** A wrench or key that is left attached to a rotating part of the tool may result in personal injury.
- **Do not overreach.** Maintain proper footing and balance at all times. Loss of balance can cause an injury in an unexpected situation.
- **If devices are provided for connection of dust extraction and collection facilities, ensure these are connected and properly used.** Use of these devices can reduce dust related hazards.
- **Do not use a ladder or unstable support.** Stable footing on a solid surface enables better control of the tool in unexpected situations.
- **Keep tool handles dry, clean and free from oil and grease.** Slippery handles cannot safely control the tool.

TOOL USE AND CARE

- **Secure the work piece.** Use clamp or other practical way to hold the work piece to a stable platform. Holding the work piece by hand or against your body is unstable and may lead to loss of control.
- **Do not force the power tool.** The tool will perform the job better and safer at the feed rate for which it is designed. Forcing the tool could possibly damage the tool and may result in personal injury.
- **Use the correct power tool for the job.** Don't force the tool or attachment to do a job for which it is not designed.

- **Do not use tool if switch does not turn it on or off.** Any tool that cannot be controlled with the switch is dangerous and must be repaired or replaced by an authorized service center.
- **Turn power tool off, and disconnect the plug** from the power source and/or battery pack from the power tool before making any adjustments, changing the accessories, or storing the tools. Such preventive safety measures reduce the risk of an accidental start up which may cause personal injury.
- **Store idle tool out of reach of children and other inexperienced persons.** It is dangerous in the hand of untrained users.
- **Maintain power tools with care.** Check for proper alignment and binding of moving parts, component breaks, and any other conditions that may affect the tool's operation. A guard or any other part that is damaged must be properly repaired or replaced by an authorized service center to avoid risk of personal injury.
- **Use recommended accessories.** Using accessories and attachments not recommended by the manufacturer or intended for use on this type tool may cause damage to the tool or result in personal injury to the user. Consult the operator's manual for recommended accessories.
- **Keep cutting tools sharp and clean.** Properly maintained cutting tools with sharp cutting edges are less likely to bind and are easier to control.
- **Feed the work piece in the correct direction and speed.** Feed the work piece into a blade, cutter, or abrasive surface against the direction of the cutting tool's direction of rotation only. Incorrectly feeding the work piece in the same direction may cause the work piece to be thrown out at high speed.
- **Never leave the tool running unattended, turn the power off.** Do not leave the tool until it comes to a complete stop.
- **Never start the power tool when any rotating component is in contact with the work piece.**

⚠ WARNING: Use of this tool can generate and disburse dust or other airborne particles, including wood dust, crystalline silica dust and asbestos. Direct particles away from face and body. Always operate tool in a well-ventilated area and provide for proper dust removal. Use dust collection system wherever possible. Exposure to the dust may cause serious and permanent respiratory or other injury, including silicosis (a serious lung disease), cancer, and death. Avoid breathing the dust, and avoid prolonged contact with the dust. Allowing dust to get into your mouth or eyes, or lay on your skin may promote absorption of harmful material. Always use properly fitting NIOSH/OSHA approved respiratory protection appropriate for dust exposure, and wash exposed areas with soap and water.

SERVICE

- **Have your power tool serviced by a qualified repair person** using only identical replacement parts. This will ensure that the safety of the power tool is maintained.
- **Service your power tool periodically.** When cleaning a tool, be careful not to disassemble any portion of the tool since internal wires may be misplaced or pinched.

SAVE THESE INSTRUCTIONS

EXTENSION CORDS

Grounded tools require a three wire extension cord. Double insulated tools can use either a two or three wire extension cord. As the distance from the power supply outlet increases, you must use a heavier gauge extension cord. Using extension cords with inadequately sized wire causes a serious drop in voltage, resulting in loss of power and possible tool damage. Refer to the table shown below to determine the required minimum wire size.

The smaller the gauge number of the wire, the greater the capacity of the cord. For example: a 14-gauge cord can carry a higher current than a 16-gauge cord. When using more than one extension cord to make up the total length, be sure each cord contains at least the minimum wire size required. If you are using one extension cord for more than one tool, add the nameplate amperes and use the sum to determine the required minimum wire size.

Guidelines for Using Extension Cords

- If you are using an extension cord outdoors, be sure it is marked with the suffix “W-A” (“W” in Canada) to indicate that it is acceptable for outdoor use.
- Be sure your extension cord is properly wired and in good electrical condition. Always replace a damaged extension cord or have it repaired by a qualified person before using it.
- Protect your extension cords from sharp objects, excessive heat, and damp or wet areas.

Recommended Minimum Wire Gauge for Extension Cords (120 Volt)

Nameplate Amperes (At Full Load)	Extension Cord Length					
	25 Feet	50 Feet	75 Feet	100 Feet	150 Feet	200 Feet
0–2.0	18	18	18	18	16	16
2.1–3.4	18	18	18	16	14	14
3.5–5.0	18	18	16	14	12	12
5.1–7.0	18	16	14	12	12	10
7.1–12.0	18	14	12	10	8	8
12.1–16.0	14	12	10	10	8	6
16.1–20.0	12	10	8	8	6	6

SPECIFIC SAFETY RULES FOR CIRCULAR SAWS

⚠ WARNING: DO NOT LET COMFORT OR FAMILIARITY WITH PRODUCT (GAINED FROM REPEATED USE) REPLACE STRICT ADHERENCE TO PRODUCT SAFETY RULES. If you use this tool unsafe or incorrectly, you can suffer serious personal injury!

- **Hold the tool by insulated gripping surfaces** when performing an operation where the tool may contact hidden wiring. Contact with a “live” wire will make exposed metal parts of the tool “live” and shock the operator.
- **DANGER! Keep hands away from cutting area and blade.** Keep your second hand on auxiliary handle, or motor housing. If both hands are holding the saw, they cannot be cut by the blade. Keep your body positioned to either side of the saw blade, but not in line with the saw blade. KICKBACK could cause the saw to jump backwards. (See “Causes and Operator Prevention of Kickback”) Do not reach underneath the work. The guard cannot protect you from the blade below the work. Do not attempt to remove cut material when blade is moving.

CAUTION: Blades coast after turn off. Wait until blade stops before grasping cut material.

- **Check lower guard for proper closing before each use.** Do not operate saw if lower guard does not move freely and close instantly. Never clamp or tie the lower guard into the open position. If saw is accidentally dropped, lower guard may be bent. Raise the lower guard with the Retracting Lever and make sure it moves freely and does not touch the blade or any other part, in all angles and depths of cut. To check lower guard, open lower guard by hand, then release and watch guard closure. Also check to see that Retracting Lever does not touch tool housing. Leaving blade exposed is VERY DANGEROUS and can lead to serious personal injury.
- **Check the operation and condition of the lower guard spring.** If the guard and the spring are not operating properly, they must be serviced before use. Lower guard may operate sluggishly due to damaged parts, gummy deposits, or a buildup of debris.
- **Lower guard should be retracted manually only for special cuts** such as “Pocket Cuts” and “Compound Cuts.” Raise lower guard by Retracting Lever. As soon as blade enters the material, lower guard must be released. For all other sawing, the lower guard should operate automatically.
- **Always observe that the lower guard is covering the blade** before placing saw down on bench or floor. An unprotected, coasting blade will cause the saw to walk backwards, cutting whatever is in its path. Be aware of the time it takes for the blade to stop after switch is released.
- **NEVER hold piece being cut in your hands or across your leg.** It is important to support the work properly to minimize body exposure, blade binding, or loss of control.

- **When ripping, always use a rip fence or straight edge guide.** This improves the accuracy of cut and reduces the chance for blade binding.
- **Always use blades with correct size** and shape (diamond vs. round) arbor holes. Blades that do not match the mounting hardware of the saw will run eccentrically, causing loss of control.
- **Never use damaged or incorrect blade washers or bolts.** The blade washers and bolt were specially designed for your saw, for optimum performance and safety of operation.

- **Causes and operator prevention of Kickback:**

Kickback is a sudden reaction to a pinched, bound or misaligned saw blade, causing an uncontrolled saw to lift up and out of the work piece toward the operator.

- * When the blade is pinched or bound tightly by the kerf closing down, the blade stalls and the motor reaction drives the unit rapidly back toward the operator.
- * If the blade becomes twisted or misaligned in the cut, the teeth at the back edge of the blade can dig into the top surface of the wood causing the blade to climb out of the kerf and jump back toward the operator.
- * Kickback is the result of tool misuse and/or incorrect operating procedures of conditions and can be avoided by taking proper precautions as given below:
 - > Maintain a firm grip on the saw and position your body and arm in a way that allows you to resist KICKBACK forces. KICKBACK forces can be controlled by the operator, if proper precautions are taken.
 - > When blade is binding, or when interrupting a cut for any reason, release the trigger and hold the saw motionless in the material until the blade comes to a complete stop. Never attempt to remove the saw from the work or pull the saw backward while the blade is in motion or KICKBACK may occur. Investigate and take corrective actions to eliminate the cause of blade binding.
 - > When restarting a saw in the work piece, center the saw blade in the kerf and check that teeth are not engaged into the material. If saw blade is binding, it may walk up or KICKBACK from the work piece as the saw is restarted.
 - > Support large panels to minimize the risk of blade pinching and KICKBACK. Large panels tend to sag under their own weight. Supports must be placed under the panel on both sides, near the line of cut and near the edge of the panel.
 - > Do not use dull or damaged blades. Unsharpened or improperly set blades produce narrow kerf, causing excessive friction, blade binding, and KICKBACK.
 - > Blade depth and bevel adjusting locking levers must be tight and secure before making cut. If blade adjustment shifts while cutting, it will cause binding and KICKBACK.
 - > Use extra caution when making a "Pocket Cut" into existing walls or other blind areas. The protruding blade may cut objects that can cause KICKBACK.


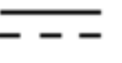









- **Do not leave the tool running.** Operate the tool only when hand-held.
- **When operating the tool from an elevated position,** be aware of people or things beneath you.
- **Always hold the tool firmly in your hands before switching the tool "ON".** The reaction to the torque of the motor as it accelerates to full speed may cause the tool to twist.
- **Wear eye and hearing protection.** Always use safety glasses with side shields. Unless otherwise specified, everyday glasses provide only limited impact resistance, they are not safety glasses. Use only certified safety equipment; eye protection equipment should comply with ANSI z87.1 standards. Protective hearing equipment should comply with ANSI s3.19 standards.
- **Protect your lungs.** Wear a face or dust mask if the operation is dusty. Following this rule will reduce the risk of personal injury.

⚠ WARNING: Read and understand all warnings, cautions and operating instructions before using this equipment. Failure to follow all instructions listed below may result in electric shock, fire and/or serious personal injury.

SAVE THESE INSTRUCTIONS

SYMBOLS

Some of the following symbols may appear on this product. Study these symbols and learn their meaning. Proper interpretation of these symbols will allow for more efficient and safer operation of this product.

SYMBOL	DESCRIPTION	SYMBOL	DESCRIPTION
V	Volts	 or A.C.	Alternating current
A	Amperes	 or D.C.	Direct current
Hz	Hertz		Class II construction Double Insulated construction
W	Watts		Warning symbol. Precautions that involve your safety
n_0	No Load Speed		To reduce the risk of injury, read Operator's Manual before using this product.
kg	Kilograms		Wear safety glasses, ear protection and respiratory protection
H	Hours		Do not dispose with household waste
RPM	Revolutions per minute		Do not touch the running blade
SPM	Strokes per minute		Do not use in wet conditions
OPM	Oscillations per minute		Do not put battery in fire
.../min	Per minute		Battery cannot exceed 59° C



This symbol designates that this product is listed with U.S. and Canada requirements by ETL testing Laboratories, Inc.

KNOWING YOUR CIRCULAR SAW

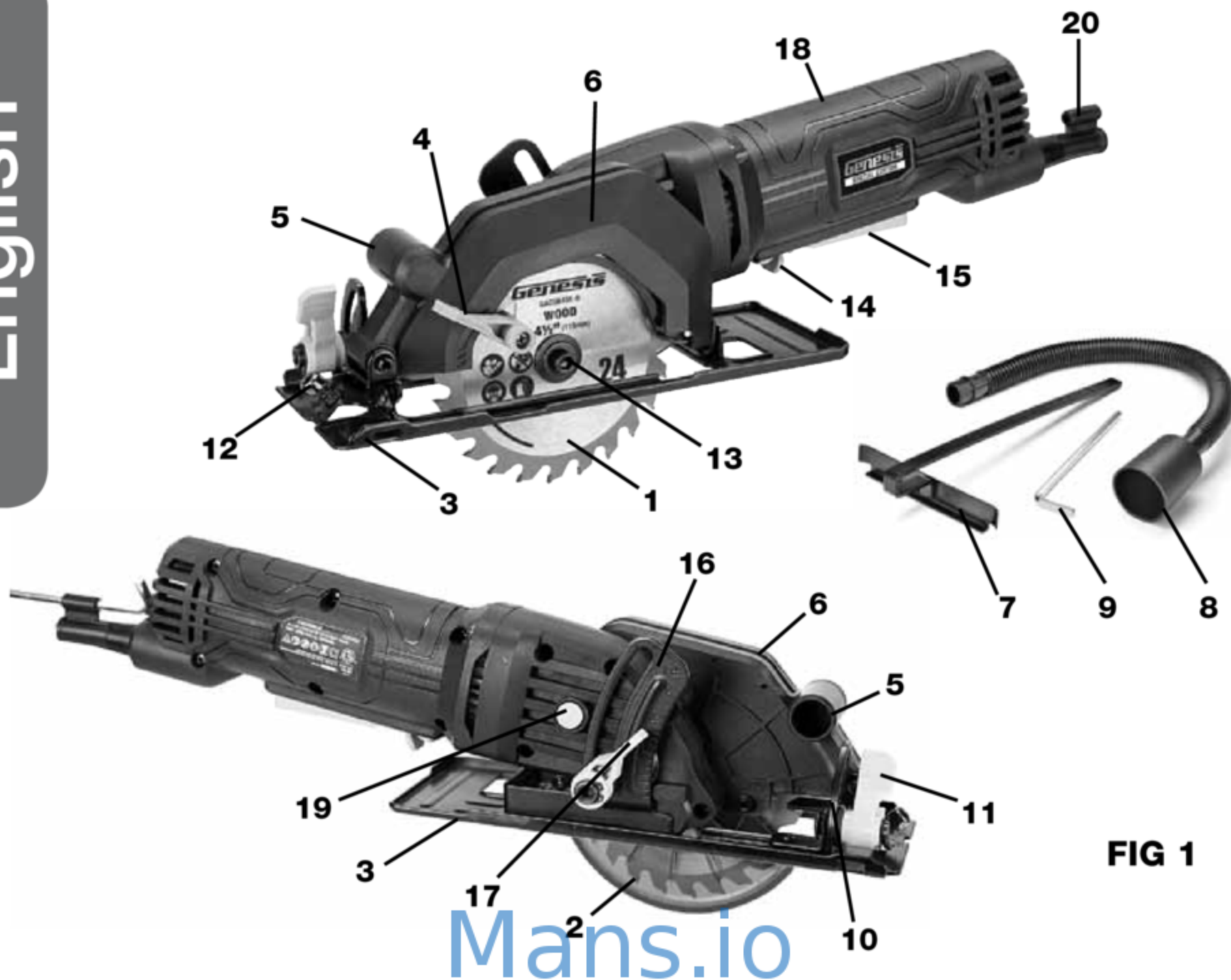


FIG 1

- | | |
|---------------------------|-----------------------------|
| 1. Saw Blade | 11. Bevel Clamp Lever |
| 2. Lower Blade Guard | 12. Rip Guide Locking Screw |
| 3. Base | 13. Blade Bolt & Washer |
| 4. Lower Guard Lever | 14. Lock-Off Trigger |
| 5. Dust Extraction Port | 15. On/Off Switch |
| 6. Upper Blade Guard | 16. Depth Guide Bracket |
| 7. Rip Guide | 17. Depth Clamp Lever |
| 8. Vacuum Adaptor | 18. Motor |
| 9. Allen Wrench for Blade | 19. Spindle Lock |
| 10. Bevel Scale Bracket | 20. Allen Wrench Storage |

UNPACKING AND CONTENTS

IMPORTANT: Due to modern mass production techniques, it is unlikely the tool is faulty or that a part is missing. If you find anything wrong, do not operate the tool until the parts have been replaced or the fault has been rectified. Failure to do so could result in serious personal injury.

CONTENTS IN PACKAGE

Description	Q'ty	Description	Q'ty
Saw	1	Allen Wrench	1
Blade	1	Vacuum Adaptor	1
Rip Guide	1	Operator's Manual	1

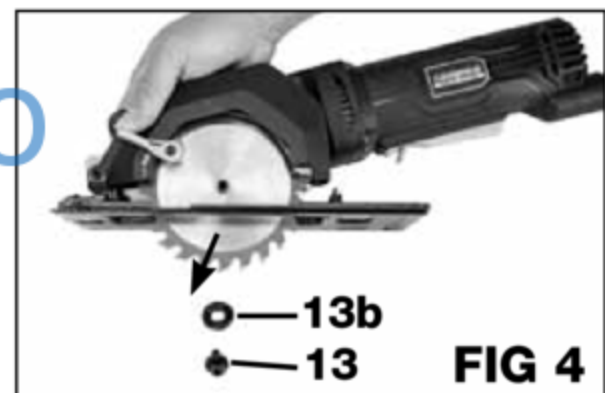
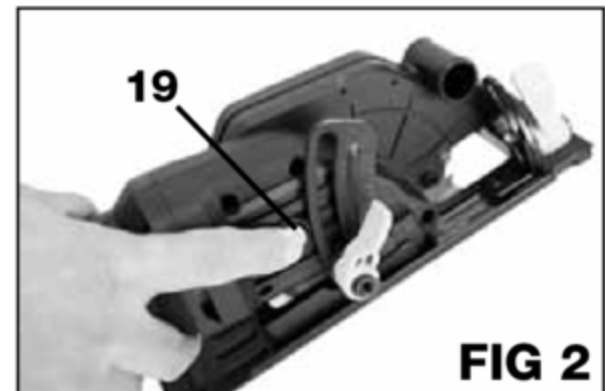
ASSEMBLY AND ADJUSTMENTS

⚠ WARNING: Always be sure that the tool is switched off and unplugged before adjusting, adding accessories, or checking a function on the tool.

⚠ WARNING: 4-1/2" is the maximum blade capacity of your saw. Never use a blade that is too thick to allow the outer flange washer to fit properly on the spindle. Too thick a blade will prevent the blade bolt from securing the blade on the spindle. Larger diameter blades will contact the blade guards. Either situation could result in a serious accident.

BLADE INSTALLATION (FIG 2,3,4)

- Unplug your circular saw.
- Press and hold the spindle lock button (19). Rotate the blade spindle until it engages.
- Using the Allen wrench (9) provided, remove the blade bolt and washer (13) by turning it clockwise.
- Remove the outer flange (13b).
- Lift the lower guard and slide the blade onto the spindle. The arrow on the saw blade must match the arrow showing direction of rotation on the guard.
- Replace the outer flange.
- Replace the blade bolt and washer.
- Depress and hold the spindle lock button, tighten the blade bolt securely by turning it counterclockwise with the Allen wrench.



REMOVING THE BLADE (FIG 2,3,4)

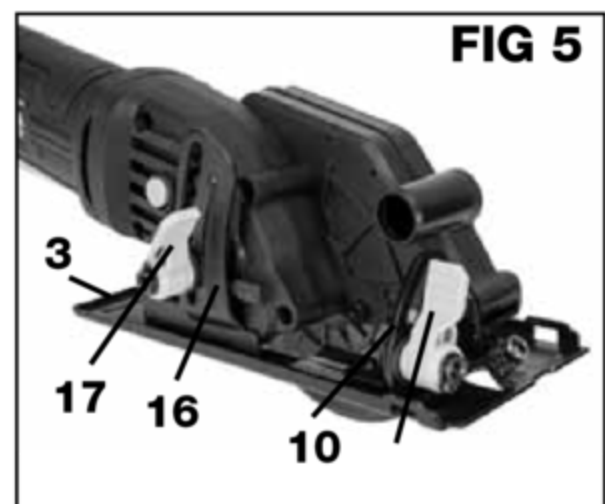
- Unplug your circular saw.
- Depress and hold the spindle lock button (19). Rotate the blade until it engages.
- Remove the blade bolt and washer by turning it clockwise with the Allen wrench (9) provided.
- Remove the outer flange.
- Lift the lower blade guard.
- Remove the blade from the spindle and off the saw.

ADJUSTING THE DEPTH OF CUT (FIG 5)

- Unplug your circular saw.
- Loosen the depth clamp lever (17).
- Move the base (3) up or down to the desired depth as indicated on the depth guide bracket (16).

OR

- Raise the lower blade guard and place the saw base on the work piece to be cut with the saw blade positioned against the edge. Hold the saw base down on the work piece surface, then raise or lower the motor housing to obtain the desired depth of cut using the work piece edge as a reference.
- Secure the base by tightening the lever.



NOTE: Always maintain the correct blade depth setting. For all cuts the blade depth should not exceed 1/4" below the material being cut. Excessive blade depth increases the chance of saw KICKBACK.

BEVEL ANGLE ADJUSTMENT (FIG 5)

- Loosen the bevel clamp lever (11) on the front of the saw base.
- Tilt the saw base (3) until the desired angle is indicated on the bevel scale bracket (10).
- Tighten the bevel clamp lever securely.
- Always make a test cut in scrap lumber and measure the cut angle to confirm the bevel angle is set properly. If necessary, adjust the bevel angle appropriately before cutting the work piece.

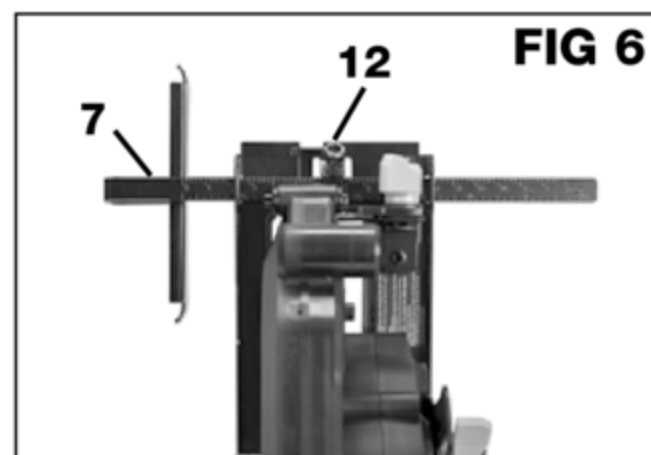
LINE-OF-CUT INDICATORS

- The line-of-cut indicator notch is provided at the front of the saw base.
- The left edge of the notch is used to follow a line when making a 0° cut.
- The right edge of the notch is used to follow a line when making a 45° bevel cut.
- Since blade thicknesses vary, it is necessary to make test cuts in scrap material, along a guideline, to determine proper alignment of the guideline within the notch to obtain an accurate cut.

INSTALLING THE RIP GUIDE (FIG 6)

When cutting lumber lengthwise you are usually cutting “with” the wood’s grain rather than across the grain. Cutting “with” the grain of wood is called “ripping” or a rip cut. Since rip cuts tend to be lengthy it can be difficult to accurately follow the guideline the entire distance of the cut. To assist the operator to obtain a straight rip cut, a straight edge can be clamped to the work piece or the supplied rip guide can be used. To install the rip guide on your saw, perform the following steps.

- Unplug your circular saw.
- Insert the rip guide through the two slots on the saw base at the front of the saw, starting with slot in the left side edge of the base.
- Slide the guide through the slots until it extends out the right side of the base.
- Adjust the rip guide for the desired width of cut and then securely tighten the locking screw (12) in the center to secure the rip guide in position.



⚠ WARNING: To avoid personal injury and damage to the work piece, extend the rip guide through all slots on the base.

INSTALLING THE VACUUM ADAPTOR HOSE (FIG 7)

A vacuum adaptor hose has been supplied with the tool. When used correctly it can help remove dust, chips and cutting debris from the cutting area.

1. Connect the small end of the vacuum adaptor to the dust extraction port on the tool.
2. Connect the other end of the vacuum adaptor to the end of a vacuum hose.



OPERATION

STARTING AND STOPPING THE SAW (FIG 8)

⚠ WARNING: Before plugging in the tool, always check to see that the tool is switched off. Accidentally starting the saw could cause personal injury.

To start the saw, pull the Lock-Off trigger (14) in the direction as shown in FIG 8, then depress the switch (15).

NOTE: Always let the blade reach full speed before guiding the saw into the work piece.

⚠ WARNING: The blade coming into contact with the work piece before reaching full speed could cause your saw to KICKBACK towards you resulting in serious personal injury.

To stop the saw, release the switch. Allow the blade to come to a complete stop.

NOTE: Do not remove your saw from the work piece while the blade is still moving.



APPLICATION

CAUTION: To make sawing easier and safer, be sure to move the tool forward in a straight line gently. Forcing or twisting the tool will result in overheating the motor and dangerous KICKBACK, possibly causing severe personal injury.

It's important to understand the correct technique for operating your saw and to learn what the correct and incorrect ways for handling your saw.

Equally important to working safely and realizing accurate cuts is correct preparation of the work piece and work area prior to making the first cut with the saw.

- Hold the tool firmly with your hand.
- Avoid placing your hand on the work piece while making a cut.
- Place the work piece with the “good” side down.
- Securely clamp the work piece so it will not move during the cut.
- Place a clamp near the cut to further support the work piece.
- Draw a guideline along the desired path of cut before starting your saw or the cut.
- Move and keep the cord away from the cutting area. Position the cord to prevent it from hanging up on the work piece and you from standing or tripping on the cord while cutting.

DANGER: If, while operating the saw, the cord hangs up on the work piece or other object during a cut, release the switch trigger immediately. Unplug the saw and reposition the cord to prevent it from hanging up again.

CROSS CUTTING AND RIP CUTTING

Cutting directly across the grain of a piece of wood is called cross cutting and is likely the most common type of cut done with a circular saw. Cutting wood lengthwise, or “with” the grain, is called rip cutting. However, it's most often referred to simply as ripping. Both types of cuts are performed in the same manner with the exception of the methods used to support and secure the work piece for cutting. After you have secured the work piece in position with clamps or similar devices, prepared the work area, positioned the cord so it won't be cut or become hung up, performed the saw set up adjustments, made the necessary measurements, drawn a straight guideline, and put on your eye protection, you can begin the cutting operation.

- Hold the tool firmly.
- Set the front portion of the saw's base on the work piece to be cut without the blade making any contact. Align the line-of-cut indicator notch on the right side of the base with your guideline.
- Turn the saw on by depressing the switch trigger and wait until the blade reaches full speed.
- Ease the tool forward over the work piece surface, keeping it flat and advancing smoothly while following your guideline, until sawing is completed.
- Release the switch trigger. Wait for the blade to completely stop. Check that the lower guard has returned to position surrounding the blade. Now you can safely remove the saw from the work piece and set it down out of the way.
- To achieve clean cuts, keep your sawing line straight and speed of advance uniform.
- If the cut fails to properly follow your intended cut line, do not attempt to turn or force the tool back to the cut line. Doing so may bind the blade and lead to dangerous kickback and possible serious injury. Instead, release the switch trigger, wait for the blade to stop, and then remove the tool. Realign saw on a new cut guideline and start the cut again.
- Avoid positioning yourself so that you're in the path of chips and wood dust being ejected from the saw.

BEVEL CUTTING

Bevel cuts are made using the same technique as crosscuts and ripping described in the previous section. The difference is that the blade is set at an angle (tilted) between 0° and 45°.

A bevel cut made at an angle to the edge of a board is called a compound miter. Some compound cuts may require you to manually retract the lower guard to allow the blade to enter into and/or through the cut.

There are tools better suited for bevel and compound cuts than the hand held circular saw. Although the inner line-of-cut indicator notch aids the operator in following their cut guideline, the tilted motor housing, however, obstructs their ability to see the blade making accurate cuts difficult. Before taking on a project with numerous compound or bevel cuts it's suggested that the inexperienced saw user spend time making practice cuts in scrap lumber to become familiar with and overcome difficulties associated with compound/bevel cutting.

POCKET CUTS

A pocket cut is a cut that must be made inside the area of the work piece rather than starting from an outside edge and working inward. Pocket cuts can be very dangerous for the novice to attempt because of the need to manually retract the lower guard and perform a plunge cut which is potentially hazardous.

- Adjust the bevel setting to zero.
- Set the blade to the correct blade depth setting.
- Swing the lower blade guard up by using the lower blade guard lever.

NOTE: Always raise the lower blade guard with the lever to avoid serious injury.

- Hold the lower blade guard by the lever.
- Rest the front of the base flat against the work piece with the rear part of the saw elevated so the blade does not touch the work piece.
- Start the saw and let the blade reach full speed.
- Guide the saw down into the work piece and make the cut.



⚠ WARNING: Always cut in a forward direction when pocket cutting. Cutting in the reverse direction could cause the saw to climb up on the work piece and back toward you.

- Release the trigger and allow the blade to come to a complete stop.
- Lift the saw from the work piece.
- Repeat this procedure for the remaining sides, and then clear the corners out with a hand saw or jig saw.

⚠ WARNING: Never tie the lower blade guard in a raised position. Leaving the blade exposed could lead to serious injury.

ACCESSORIES

Recommended accessories for this tool:

Model #	Image	Description	Appliation
GACSB451		24 Teeth TCT Premium Saw Balde	For cutting wood, plastic and other soft materials
GACSB452		60 Teeth HSS Saw Balde	For cutting drywall, wood, aluminum and other non-ferrous thin sheet metal

MAINTENANCE

CLEANING

Avoid using solvents when cleaning plastic parts. Most plastics are susceptible to damage from various types of commercial solvents and may be damaged by their use. Use clean cloths to remove dirt, dust, oil, grease, etc.

⚠ WARNING: Do not at any time let brake fluids, gasoline, petroleum-based products, penetrating oils, etc., come in contact with plastic parts. Chemicals can damage, weaken or destroy plastic which may result in serious personal injury.

Electric tools used on fiberglass material, wallboard, spackling compounds, or plaster are subject to accelerated wear and possible premature failure because the fiberglass chips and grindings are highly abrasive to bearings, brushes, commutators, etc. Consequently, we do not recommend using this tool for extended work on these types of materials. However, if you do work with any of these materials, it is extremely important to clean the tool using compressed air.

LUBRICATION

This tool is permanently lubricated at the factory and requires no additional lubrication.

TWO-YEAR WARRANTY

This product is warranted free from defects in material and workmanship for 2 years after date of purchase. This limited warranty does not cover normal wear and tear or damage from neglect or accident. The original purchaser is covered by this warranty and it is not transferable. Prior to returning your tool to store location of purchase, please call our Toll-Free Help Line for possible solutions.

THIS PRODUCT IS NOT WARRANTED IF USED FOR INDUSTRIAL OR COMMERCIAL PURPOSES. ACCESSORIES INCLUDED IN THIS KIT ARE NOT COVERED BY THE 2 YEAR WARRANTY.

TOLL-FREE HELP LINE **Mans.io**

For questions about this or any other GENESIS™ Product, please call Toll-Free: **888-552-8665**.

Or visit our web site: **www.genesispowertools.com**

©Richpower Industries, Inc. All Rights reserved

Richpower Industries, Inc.
736 Hampton Road
Williamston, SC 29697

Printed in China, on recycled paper

SPÉCIFICATIONS

- Modèle: ----- GCS445SE
- Puissance nominale: ----- 120V ~ / 60Hz, 4A
- Vitesse à vide: ----- 3 500 tr/min.
- Taille de la lame: ----- 115 mm (4-1/2 po)
- Taille de l'arbre: ----- 9,5 mm (3/8 po)
- Capacité de coupe à 90 °: ----- 43 mm (1-11/16 po)
- Capacité de coupe à 45 °: ----- 28,5 mm (1-1/8 po)
- Poids net: ----- 2,1 kgs

Inclut: Lame à 24 dents emboutées au carbure, guide de refente, adaptateur d'aspirateur et clé Allen

⚠ AVERTISSEMENT: Pour réduire le risque de blessure, l'utilisateur doit lire et assimiler ce manuel d'utilisation avant de se servir de l'outil. Conservez ce manuel comme référence ultérieure.

Numéro d'aide sans frais: 1-888-552-8665.



⚠ AVERTISSEMENT: L'utilisation de tout outil électrique peut causer la projection d'objets étrangers dans vos yeux, pouvant entraîner de sérieux dommages. Avant de commencer à vous servir de l'outil, portez toujours des lunettes de sécurité ou avec des écrans latéraux de protection, et une protection faciale complète si nécessaire. Nous recommandons le port d'un masque à vision large par dessus les lunettes. Portez toujours une protection oculaire qui est marquée comme en conformité avec ANSI Z87.1.



Repérez ce symbole qui signale d'importantes précautions de sécurité. Cela veut dire faites attention ! Votre sécurité est en jeu.

RÈGLES GÉNÉRALES DE SÉCURITÉ

⚠ AVERTISSEMENT: Certaines poussières produites par des appareils électriques de ponçage, sciage, meulage, perçage et autres travaux de construction contiennent des produits chimiques connus pour causer cancer, anomalies congénitales et autres atteintes à la reproduction. Voici quelques exemples de ces produits nocifs :

- plomb des peintures au plomb.
- silice cristalline des briques et du béton et d'autres matériaux de construction.
- arsenic et chrome de bois d'œuvre traité chimiquement.

Votre risque en cas d'exposition varie, selon la fréquence d'exécution de ce type de tâches. Pour réduire votre exposition à ces produits: travaillez dans une zone bien ventilée en portant un équipement de sécurité approuvé, tel que masque à poussières spécialement conçu pour filtrer les particules microscopiques.

⚠ AVERTISSEMENT: Lisez et assimilez tous les avertissements, mises en garde et instructions d'utilisation avant de vous servir de cet équipement. Sinon vous risquez commotion électrique, début d'incendie et/ou blessures corporelles.

CONSERVEZ CES INSTRUCTIONS

LIEU DE TRAVAIL:

- **Gardez propre la zone de travail.** Les zones et établis en désordre attirent les accidents.

- **Ne pas utiliser d'outils électriques dans des atmosphères explosives**, par exemple en présence de liquidés, gaz ou poussières inflammables. Les outils électriques produisent des étincelles risquant d'enflammer les poussières ou vapeurs.
- **Garder les badauds, enfants et visiteurs à l'écart pendant l'utilisation d'un outil électrique.** Les distractions peuvent causer une perdre le contrôle.

SÉCURITÉ ÉLECTRIQUE

- **La puissance des bouchons outil doit correspondre à la prise électrique.** Ne jamais modifier la prise en aucune façon. Ne pas utiliser d'adaptateur de bouchons dans toute la terre (la terre) les outils électriques. Les outils à double isolation sont équipés d'une fiche polarisée (une broche est plus large que l'autre).. Cette fiche ne peut être branchée sur une prise polarisée que dans un seul sens. Si la fiche ne peut pas être insérée dans la prise, l'inverser. Si vous ne pouvez toujours pas être l'insérer, faire installer une prise polarisée par un électricien qualifié. Ne pas modifier la fiche, de quelque façon que ce soit. La double isolation élimine le besoin de cordon d'alimentation à trois fils et d'un circuit secteur mis à la terre.
- **NE PAS exposer les outils électriques à la pluie ou l'humidité.** La pénétration d'eau dans ces outils accroît le risque de choc électrique.
- **Éviter tout contact du corps avec des surfaces mises à la terre**, telles que tuyaux, radiateurs, cuisinières et réfrigérateurs. Le risqué de choc électrique est accru lorsque le corps est mis à la terre.
- **NE PAS maltraiter le cordon d'alimentation.** Ne jamais utiliser le cordon d'alimentation pour transporter l'outil et ne jamais débrancher ce dernier en tirant sur le cordon. Garder le cordon à l'écart de la chaleur, de l'huile, des objets tranchants et des pièces en mouvement. Remplacer immédiatement tout cordon endommagé. Un cordon endommagé accroît le risque d'électrocution.
- **Lorsque l'exploitation d'un pouvoir en dehors des outils**, l'utilisation d'une rallonge électrique pour une utilisation extérieure. Ces cordons sont prévus pour une utilisation à l'extérieur et de réduire le risque de choc électrique.
- **NE PAS utiliser l'AC notées les outils d'une alimentation en courant continu.** Même si l'outil semble fonctionner, les composants électriques de l'AC notées outil sont susceptibles d'échouer et d'accroître le risque pour l'opérateur.

SÉCURITÉ PERSONNELLE

- **Rester attentif, prêter attention au travail et faire prévue de bon sens lors de l'utilisation de tout outil électrique.** Ne pas utiliser cet outil en état de fatigue ou sous l'influence de l'alcool, de drogues ou de médicaments. Un moment d'inattention pendant l'utilisation d'un outil électrique peut entraîner des blessures graves.
- **Utiliser l'équipement de sécurité. Toujours porter une protection oculaire.** Suivant les conditions, le port d'un masque filtrant, de chaussures de sécurité, d'un casque ou d'une protection auditive est recommandé.
- **Portez une tenue appropriée.** Ne portez pas de vêtements flottants, gants, cravate, bracelets, montre de poignet ou autres bijoux qui peuvent être happés par des pièces en mouvement. Le port de chaussures antidérapantes est recommandé, ainsi que le port d'une couverture des cheveux s'ils sont longs..
- **Évitez d'un démarrage accidentel.** S'assurer que le commutateur est en position arrêt avant de brancher po. De transport outil avec le doigt sur l'interrupteur ou de brancher des outils électriques qui sont le commutateur invite accidents.
- **Enlevez les clés et outils de réglage avant de mettre en marche.** Les clés, clavettes, déchets et autres débris peuvent être projetés à grande vitesse, et ainsi causer des graves blessures.
- **NE travaillez pas à bout de bras.** Gardez une bonne posture et un bon équilibre en permanence, un déséquilibre peut amener votre chute sur la machine en action, avec possibilité de blessure.
- **Si dispositifs sont prévus pour la connexion d'extraction des poussières et des installations de collecte**, d'assurer ceux-ci sont connectés et utilisés correctement. L'utilisation de ces appareils peut réduire les risques liés à la poussière. Ne pas utiliser l'outil sur une échelle ou un support instable. Une bonne tenue et un bon équilibre permettent de mieux contrôler l'outil en cas de situation imprévue.

- **Maintenez l'outil sec, propre et sans huile ou graisse.** Utilisez toujours un chiffon propre pour le nettoyage. N'utilisez jamais de fluide pour freins, d'essence, de produits à base de pétrole, ni n'importe quel type de solvant pour nettoyer l'outil.

UTILISATION ET ENTRETIEN DE L'OUTIL

- **Sécurisation de la pièce à travailler.** Utilisez des serre-joints ou un étau pour maintenir la pièce travaillée quand c'est possible. C'est plus sûr que de se servir de sa ou ses mains et permet de garder ses deux mains libres pour actionner l'outil. La perte de contrôle de la pièce travaillée peut entraîner des blessures corporelles.
- **NE forcez pas sur l'outil.** L'outil effectuera la tâche de façon meilleure et plus sûre à la vitesse de pénétration pour laquelle il a été conçu. Forcer sur l'outil peut éventuellement endommager la machine et entraîner des blessures.
- **Utilisez le bon outil pour la tâche.** Ne forcez pas sur l'outil ou accessoire pour exécuter une tâche pour laquelle il n'a pas été conçu. N'utilisez pas l'outil pour une finalité non prévue car vous risquez des dégâts matériels et/ou des blessures corporelles.
- **N'utilisez pas l'outil si son interrupteur de marche/arrêt fonctionne mal.** Faites immédiatement remplacer les interrupteurs défectueux par un centre de réparations agréé.
- **Débrancher l'outil avant d'effectuer des réglages,** de changer d'accessoire ou de ranger l'outil. Ces mesures de sécurité réduisent les risques de démarrage accidentel de l'outil.
- **Ranger les outils non utilisés hors de portée des enfants et des personnes n'ayant pas reçu de formation adéquate.** Entre les mains de personnes n'ayant pas reçu de formation adéquate, les outils sont dangereux.
- **Entretenir soigneusement les outils.** Vérifier qu'aucune pièce mobile n'est mal alignée, grippée ou brisée et s'assurer qu'aucun autre problème ne risque d'affecter le bon fonctionnement de l'outil. En cas de dommages, faire réparer l'outil avant de l'utiliser de nouveau. De nombreux accidents sont causés par des outils mal entretenus.
- **N'utilisez que des accessoires recommandés.** L'utilisation d'accessoires et équipements annexes non recommandés par le constructeur ou non prévus pour être utilisés sur ce type d'outil peut causer des dégâts matériels et/ou des blessures corporelles pour l'utilisateur. Consultez le manuel d'utilisation pour connaître les accessoires recommandés.
- **Maintenir des outils de coupe nette et propre.** Bien entretenu avec des outils de coupe de pointe sont moins susceptibles de lier et sont plus faciles à contrôler.
- **Poussez la pièce à travailler dans la bonne direction à la bonne vitesse.** N'envoyez la pièce vers la lame le couteau ou la surface abrasive, selon la machine, que en sens opposé à la rotation de l'outil de coupe. Une mauvaise présentation de la pièce dans le même sens que la rotation de l'outil de coupe fait que la pièce est projetée à grande vitesse.
- **NE jamais laisser l'outil en marche sans surveillance.** Éteignez l'appareil. Ne laissez pas l'outil jusqu'à ce qu'il arrive à un arrêt complet.
- **NE démarrez jamais un outil quand un composant rotatif est déjà en contact avec la pièce travaillée.**

⚠ AVERTISSEMENT: L'utilisation de cet outil peut générer et brasser de la poussière et d'autres particules en suspension dans l'air, comme sciure, silice cristalline et amiante. Dirigez le flot de particules hors de votre visage et de votre corps. Faites toujours fonctionner l'outil dans une zone bien ventilée, et veillez à une bonne évacuation de la poussière. Utilisez un système de collecte de poussières dans la mesure du possible. L'exposition aux poussières peut causer des troubles respiratoires ou autres sérieux et permanents, incluant la silicose (une sérieuse affection des poumons), le cancer et la mort. Évitez de respirer la poussière et évitez un contact prolongé avec elle. Si vous laissez entrer la poussière dans votre bouche ou vos yeux, ou se déposer sur votre peau, vous risquez de provoquer l'absorption de matières dangereuses. Portez toujours une protection respiratoire approuvée NIOSH/OSHA bien ajustée convenant à la protection contre les poussières, et lavez les surfaces de peau exposées à l'eau et au savon.

SERVICE

- **Demandez à votre outil électrique à être desservie par une personne qualifiée en utilisant** uniquement des pièces identiques. Cela permettra de s'assurer que la sécurité de l'outil électrique est maintenue.
- **L'entretien de votre outil électrique périodiquement.** Lors du nettoyage d'un outil, faire attention à ne pas démonter une partie de l'outil en raison de câbles électriques peuvent être égarés ou pincés.

CONSERVEZ CES INSTRUCTIONS

CORDONS RALLONGES

Les outils mis à la terre nécessitent un cordon rallonge à trois fils. Les outils à double isolation peuvent utiliser des cordons rallonge indifféremment à deux ou trois conducteurs. Plus augmente la distance depuis la prise d'alimentation, plus le calibre de la rallonge devra être important. L'utilisation de cordons rallonges avec des fils mal calibrés peut provoquer une importante chute de tension d'entrée, d'où une perte de puissance et de possibles dommages pour l'outil. Reportez-vous au tableau pour déterminer la taille minimum requise pour les fils.

Plus le numéro de calibre de fil est faible, plus importante est la capacité en courant du cordon. Par exemple un calibre 14 peut transporter un courant plus fort qu'un fil de calibre 16. Quand vous utilisez plus d'un cordon d'extension pour obtenir la longueur totale, assurez-vous que chacun contient au moins le calibre minimum de fils requis. Si vous utilisez un câble d'extension pour alimenter plus d'un outil, ajoutez les ampérages de leurs plaques signalétiques et utilisez cette somme pour déterminer le calibre minimum des fils.

Conseils d'utilisation de cordons rallonges

- Si vous utilisez un cordon rallonge à l'extérieur, assurez-vous qu'il est marqué du suffixe « W-A » (W seulement au Canada), qui indique qu'il convient bien à une utilisation à l'extérieur.
- Assurez-vous que votre cordon rallonge est correctement câblé et en bonne condition électrique. Remplacez toujours un cordon rallonge endommagé ou faites-le réparer par une personne qualifiée avant de l'utiliser.
- Protégez vos cordons rallonges des angles et objets tranchants, de la chaleur excessive, et des zones humides ou mouillées.

Calibre de fil minimum recommandé pour cordons de rallonge (en 120 Volts)

Ampérage nominal (à pleine charge)	Longueur du cordon de rallonge					
	7.6 m 25 Feet	15.2 m 50 Feet	22.9 m 75 Feet	30.5 m 100 Feet	45.7 m 150 Feet	61.0 m 200 Feet
0-2.0	18	18	18	18	16	16
2.1-3.4	18	18	18	16	14	14
3.5-5.0	18	18	16	14	12	12
5.1-7.0	18	16	14	12	12	10
7.1-12.0	18	14	12	10	8	8
12.1-16.0	14	12	10	10	8	6
16.1-20.0	12	10	8	8	6	6

RÈGLES DE SÉCURITÉ SPÉCIFIQUES POUR SCIES CIRCULAIRES

⚠ AVERTISSEMENT: NE laissez PAS une fausse sécurité s'installer provoquée par confort et familiarité avec le produit (suite à des utilisations répétées) remplacer la stricte application des règles de sécurité pour la scie à onglets. Si vous utilisez cet outil dangereusement et incorrectement, vous pouvez subir de sérieuses blessures.

- **Tenir l'outil par les surfaces de maintien isolées pendant l'utilisation** quand l'outil de coupe peut entrer en contact avec des fils cachés. Le contact avec un fil sous tension met aussi sous tensions les pièces métalliques exposées de l'outil, exposant l'utilisateur à un choc électrique.

- **DANGER! Gardez les mains à l'écart de la zone de coupe et de la lame.**
Placez –vous d'un côté ou de l'autre de la lame de la scie, mais pas surtout pas dans l'alignement de la scie. Le CHOC DE RETOUR pourrait provoquer un recul de la scie. [Voir « Causes des Chocs de Retour et Mesures Préventives pour l'Utilisateur »]. N'étendez pas les mains sous la pièce devant que celle-ci ne soit découpée. La protection ne peut pas vous protéger de la lame sous la pièce. N'essayez pas de retirer la matière découpée quand la lame est en mouvement.

ATTENTION: Les lames continuent de tourner après la mise hors tension de l'outil. Attendez l'arrêt complet de la lame avant de retirer la matière découpée.


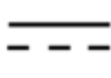









- **Vérifiez que la protection inférieure soit bien verrouillée avant chaque utilisation.** N'utilisez pas la scie si la protection inférieure ne se déplace pas librement et verrouillez-la immédiatement dans le cas contraire. Ne fixez ni ne serrez jamais la protection inférieure dans la position d'ouverture. Si la scie tombe accidentellement, la protection inférieure peut être déformée. Relevez la protection inférieure avec le levier rétractable et assurez-vous qu'il se déplace librement et ne touche pas la lame ni aucune autre pièce, dans tous les angles et toutes les profondeurs de coupe. Pour contrôler la protection inférieure, ouvrez le protection inférieure manuellement, puis relâchez et observez la fermeture de la protection. Contrôlez également que le levier rétractable ne touche pas le boîtier de l'outil. Laissez la lame sans protection est EXTREMEMENT DANGEREUX et peut conduire à de graves lésions corporelles.
- **Vérifiez le fonctionnement et l'état du ressort de la protection inférieure.** Si la protection et le ressort ne fonctionnent pas correctement, ils doivent être réparés avant toute utilisation de l'outil. La protection inférieure peut fonctionner de façon lente en raison de pièces endommagées, de dépôts collants ou de débris qui se sont accumulés.
- **La protection inférieure doit être rétractée manuellement** uniquement pour des coupes spéciales comme des « coupes en plongée » et des Coupes à angles composés ». Relevez la protection inférieure en rentrant le levier. Dès que la lame pénètre dans le matériau, la protection inférieure doit être relâchée. Pour toutes les autres opérations de sciage, la protection inférieure devrait fonctionner automatiquement.
- **Assurez-vous toujours que la protection inférieure couvre la lame** avant de poser la scie sur un établi ou par terre. Une lame qui tourne encore et non protégée peut avoir pour conséquence un mouvement de recul de la scie, et couper tout ce qui se trouve sur son passage. Soyez conscients du temps qu'il faut pour que la lame s'arrête une fois que vous avez relâché l'interrupteur à gâchette.
- **Ne tenez JAMAIS la pièce devant être coupée dans vos mains ou entre vos jambes.** Il est important que la pièce soit soutenue correctement afin de minimiser l'exposition du corps à la lame, le pincement de la lame ou la perte de contrôle.
- **Quand vous refendez, utilisez toujours un garde parallèle ou un guide de coupe rectiligne.** Cela permet une plus grande précision de coupe et réduit les risques de pincement de la lame.
- **Utilisez toujours les lames avec des trous d'alésage de la dimension et de la forme adaptées** (angulaires ou ronds). Les lames qui ne correspondent pas aux éléments de fixation de la scie fonctionneront de façon erratique provoquant ainsi la perte de contrôle de l'outil.
- **N'utilisez jamais des rondelles ou des boulons endommagés ou inadéquats.** Les rondelles et les boulons ont été spécialement conçus pour votre scie, afin de consentir une performance optimale et de garantir son utilisation en toute sécurité.
- **Causes des Chocs de Retour et Mesures préventives pour l'Utilisateur:**
Le choc de retour est une réaction soudaine à une lame de scie mal encastrée, coincée ou mal alignée et qui provoque un soulèvement incontrôlé de la scie et un sursaut de la lame qui sort de la pièce et recule vers l'utilisateur.
 - * Quand la lame est coincée ou pincée par le trait de la scie qui se referme sur elle, la lame se bloque et la réaction du moteur conduit à un brusque recul de l'outil vers l'utilisateur.
 - * Si la lame se tord ou est mal alignée pendant la coupe, les dents arrières de la lame peuvent pénétrer dans la surface supérieure du bois et amener la lame à sortir du trait et à reculer brusquement vers l'utilisateur.
 - * Le coup de retour est le résultat d'une utilisation abusive de l'outil et/ ou de procédures ou de conditions inadéquates. Celui-ci peut être évité en prenant les précautions suivantes:

- > Tenez fermement la scie et positionnez votre corps et vos bras de façon à pouvoir résister à la force du COUP DE RETOUR. La force du COUP DE RETOUR peut être contrôlée par l'utilisateur, en prenant les justes précautions.
 - > Si vous sentez que la lame se coince ou que vous devez interrompre la coupe pour une raison quelconque, relâchez l'interrupteur à gâchette et tenez la scie immobile dans le matériau jusqu'à ce que la lame soit complètement arrêtée. N'essayez jamais de retirer la scie de la pièce sur laquelle vous travaillez ou de tirer la scie en arrière alors que la lame est encore en mouvement ou qu'un COUP DE RETOUR peut se produire. Cherchez et prenez les mesures correctives nécessaires pour éliminer la cause du coincement de la scie.
 - > Au moment de redémarrer une scie dans une pièce à découper, centrez la lame de la scie dans le trait et vérifiez que les dents ne sont pas engagées dans le matériau. Si la lame de la scie se coince, il est possible qu'elle se relève ou RECULE et sorte de la pièce au moment où la scie est redémarrée.
 - > Placez des supports sous les grands panneaux afin de minimiser le risque de blocage de la lame ou un COUP DE RETOUR. Les grands panneaux tendent à fléchir sous leur propre poids. Les supports doivent être placés des deux côtés du panneau, près de la ligne de sciage et près du bord du panneau.
 - > N'utilisez pas de lames émoussées ou endommagées. Une lame mal affûtée ou inadéquate donne un trait de coupe trop mince qui aura pour conséquence une friction excessive, un coincement de la lame et un COUP DE RETOUR.
 - > Les leviers de réglage de profondeur de coupe et de biseau doivent être fermement serrés avant de d'effectuer toute découpe. Si le réglage de la lame dévie pendant la coupe, cela provoquera un coincement de la lame et un COUP DE RETOUR.
 - > Montrez une vigilance accrue quand vous faites des « Coupes en plongées » dans des murs déjà existants ou dans d'autres zones sans visibilité. La lame saillante pourrait couper des objets qui peuvent provoquer un COUP DE RETOUR.
- **Ne pas laisser l'outil en marche.** Utiliser l'outil uniquement en le tenant à la main.
 - **Quand vous utilisez l'outil d'une position élevée,** faites attention aux personnes et objets en dessous de vous.
 - **Toujours tenir l'outil fermement dans vos mains avant de passer de la fonction "ON".** La réaction au couple du moteur car il accélère jusqu'à la vitesse maximale peut amener l'outil de torsion.
 - **Portez une protection des yeux et oreilles.** Utilisez toujours de lunettes de sécurité avec écrans latéraux. Sauf sur avis contraire, les lunettes de tous les jours ne présentent qu'une résistance limitée aux impacts, ce ne sont PAS des lunettes de protection. Utilisez un équipement de sécurité certifié. La protection oculaire doit être conforme aux normes ANSI Z87.1. L'équipement de protection de l'audition doit être conforme aux normes ANSI S3.19.
 - **Protection respiratoire.** Porter un masque facial ou un masque anti-poussière si le travail produit de la poussière. Le respect de cette règle réduira les risques de blessures graves.

CONSERVEZ CES INSTRUCTIONS

SYMBOLES

Certains des symboles suivants peuvent apparaître sur ce produit. L'étude de ces symboles et à apprendre leur signification. Une interprétation correcte de ces symboles permettra un fonctionnement plus efficace et plus sûre de ce produit.

SYMBOLE	DESCRIPTION	SYMBOLE	DESCRIPTION
V	Volts	 or A.C.	Courant alternatif
A	Ampères	 or D.C.	courant continu
Hz	Hertz		Construction de classe II Construction à double isolation
W	Watts		Symbole d'avertissement. Précautions destinées à assurer votre sécurité
n_o	Vitesse à vide		Pour réduire le risque de blessure, Lire le manuel de l'opérateur avant d'utiliser ce produit
kg	Kilogrammes		Porter des lunettes de sécurité, la protection de l'oreille et de la protection respiratoire
H	Heures		Ne pas jeter avec les ordures ménagères
RPM	Rotations par minute		Ne pas toucher la lame en cours d'exécution
SPM	Coups par minute		Ne pas utiliser à l'état humide
OPM	Oscillations par minute		Ne pas mettre la batterie dans le feu
.../min	Par minute		La batterie ne peut dépasser 59°C



Ce symbole indique que ce produit est répertorié avec les exigences américaines et canadiennes par des tests ETL Laboratories, Inc.

VOTRE SCIE CIRCULAIRE

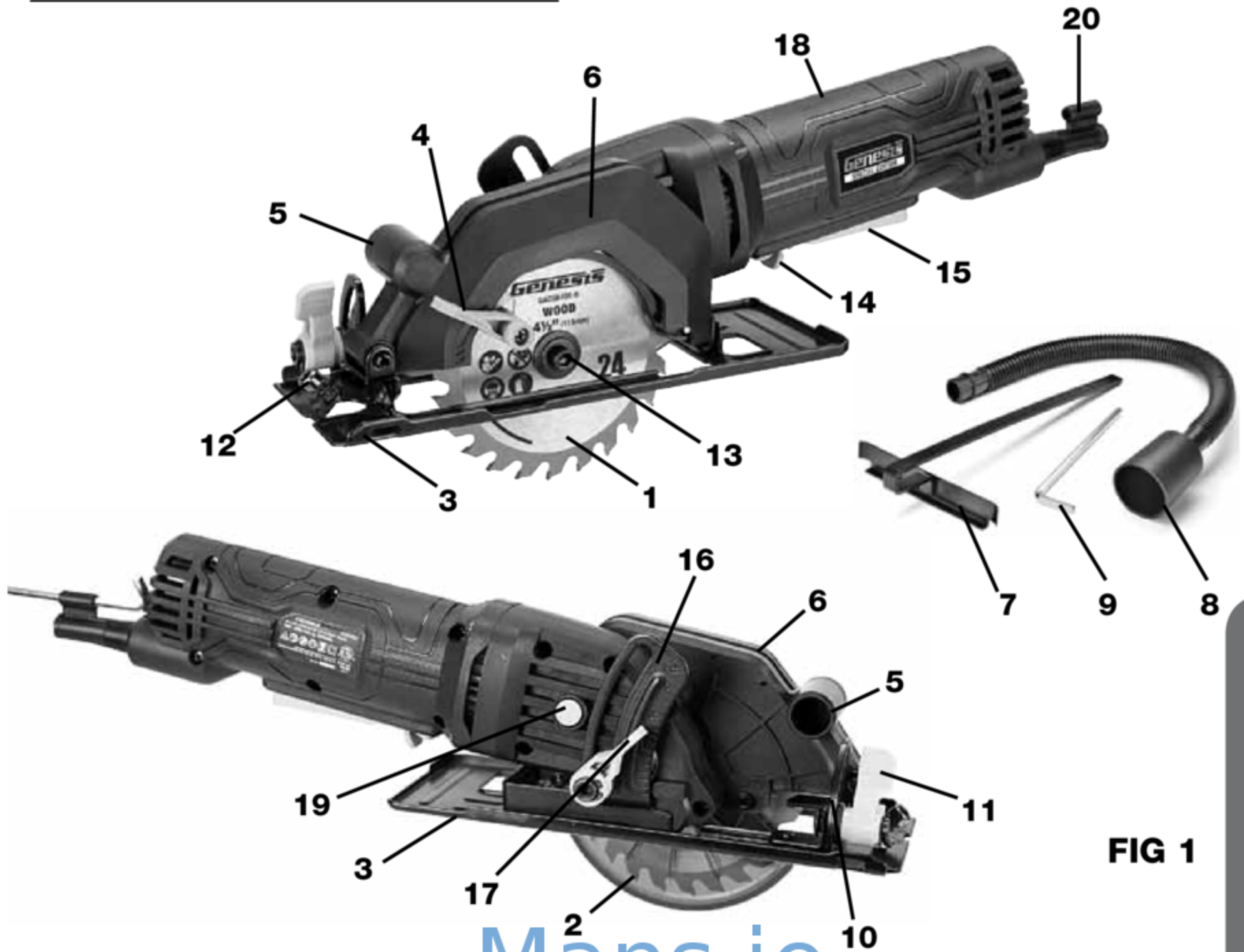


FIG 1

- | | |
|--------------------------------------|--|
| 1. Lame de scie | 11. Levier de verrouillage de biseau |
| 2. Protège-lame inférieur | 12. Vis de blocage pour guide de refente |
| 3. Base | 13. Boulon et la rondelle pour la lame |
| 4. Levier de protection inférieure | 14. Gâchette de Verrouillage |
| 5. Port de la poussière | 15. Interrupteur marche / arrêt |
| 6. Protège-lame supérieur | 16. Guide Profondeur |
| 7. Guide de refente | 17. Levier de serrage Profondeur |
| 8. Adaptateur d'aspirateur | 18. Moteur |
| 9. Clé Allen pour changement de lame | 19. Verrouillage d'arbre |
| 10. Support d'échelle biseau | 20. Porte-clé Allen |

OUVERTURE DE L'EMBALLAGE ET CONTENU

IMPORTANT: Grâce à des techniques modernes de production de masse, il est peu probable que l'outil est défectueux ou qu'une pièce est manquante. Si vous trouvez quelque chose de mal, ne pas faire fonctionner l'outil jusqu'à ce que les parties ont été remplacés ou la faute a été corrigée. Le fait de ne pas le faire pourrait entraîner des blessures graves.

CONTENU DE CARTON DE PIÈCES EN VRAC:

Description	Quan	Description	Quan
Scie	1	Clé Allen pour changement de lame	1
Lame de scie	1	Adaptateur d'aspirateur	1
Guide de refente	1	Manuel de l'opérateur	1

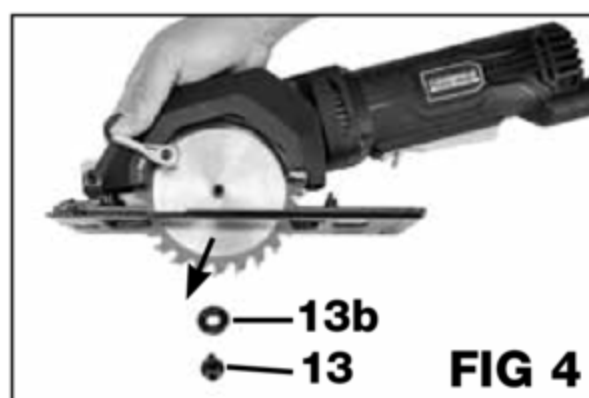
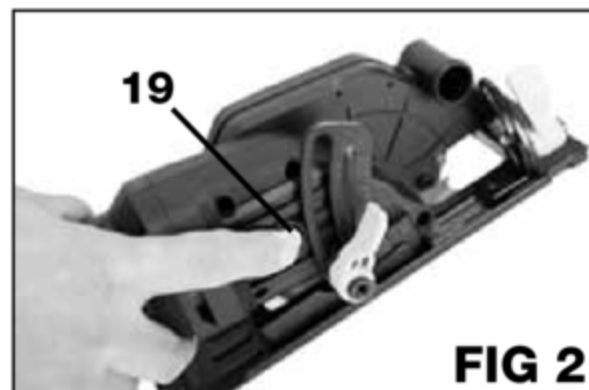
MONTAGE ET RÉGLAGES

⚠ AVERTISSEMENT: Pour réduire le risque de graves blessures corporelles, lisez et suivez toutes les instructions et avertissements de sécurité avant d'utiliser cet outil.

⚠ AVERTISSEMENT: 115 mm, soit 4-1/2", est la capacité maximale de votre scie. N'utilisez jamais une lame qui est trop épaisse pour permettre à la rondelle de bride extérieure de se monter correctement sur l'arbre. Une lame trop épaisse empêchera le boulon de lame de bien la fixer sur l'arbre. Les lames de diamètre supérieur toucheraient les protections de lame. Dans les deux cas il peut en découler de graves accidents.

INSTALLATION DE LA LAME (FIG 2,3,4)

- Débranchez votre scie circulaire.
- Appuyez et maintenez enfoncé le bouton de verrouillage d'arbre (19). Tourner la broche de la lame jusqu'à ce qu'elle engage.
- En utilisant la clé Allen (9) fourni, retirez le boulon de la lame et la rondelle (13) tournant en sens horaire.
- Enlevez la rondelle de bride extérieure (13b).
- Soulevez la protection inférieure et faites glisser la lame sur l'arbre. La flèche située sur la lame de scie doit correspondre à celle indiquant le sens de rotation du protège-lame.
- Remplacez la rondelle de bride extérieure.
- Enfoncez le verrouillage d'arbre et remplacez le boulon de lame.
- Appuyez et maintenez le bouton de verrouillage de la broche, serrez le boulon de lame en le tournant dans le sens antihoraire avec la clé Allen.

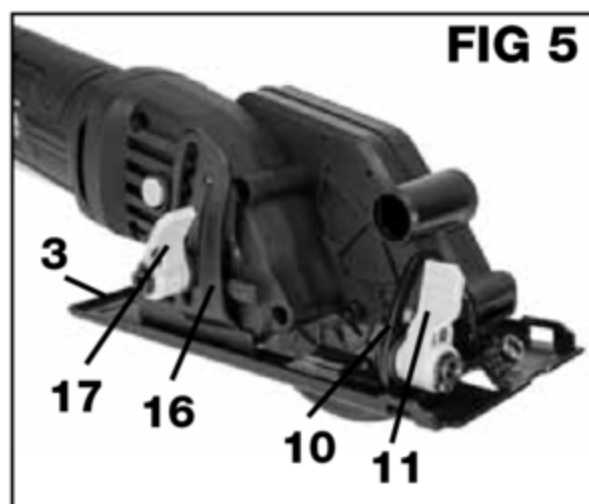


RETRAIT DE LA LAME (FIG 2,3,4)

- Débranchez votre scie circulaire.
- Appuyez et maintenez enfoncé le bouton de verrouillage d'arbre (19). Tourner la lame jusqu'à ce qu'elle engage.
- Retirez le boulon de la lame et la rondelle tournant en sens horaire avec la clé Allen (9) fourni.
- Enlevez la rondelle de bride extérieure.
- Levez la protection inférieure de lame.
- Enlevez la lame de l'arbre et sortez-la de la scie.

RÉGLAGE DE PROFONDEUR DE COUPE (FIG 5)

- Débranchez votre scie circulaire.
- Desserrez le Levier de serrage Profondeur à l'arrière (17).
- Déplacez la base (3) vers le haut ou le bas à la profondeur voulue comme indiqué sur l'échelle de profondeur (16).
- OU
- Relevez la protection inférieure de lame et placez la base de la scie sur la pièce à couper, avec la lame de scie positionnée contre le bord. Maintenez abaissée la base de scie sur la pièce à travailler, puis levez ou abaissez le carter de moteur pour obtenir la profondeur de coupe désirée en utilisant le bord de la pièce comme référence.
- Fixez la base en serrant le Levier de serrage profondeur.



REMARQUE: Gardez toujours le bon réglage de position de lame. Pour toutes les coupes la profondeur de lame ne doit pas dépasser 6,3 mm (1/4") sous le matériau à couper. Une trop grande profondeur de lame augmente la possibilité de REBOND de la scie.

RÉGLAGE D'ANGLE DE BISEAU (FIG 5)

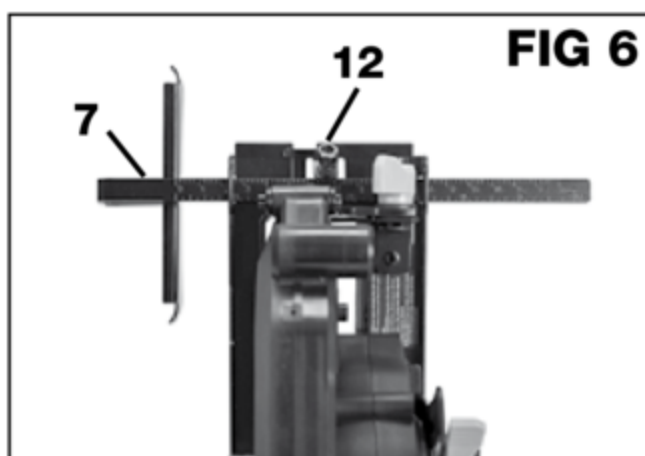
- Desserrez le levier de maintien de la plaque d'échelle de biseau (11) sur l'avant de la base de la scie.
- Inclinez la base de la scie (3) jusqu'à ce que les angles souhaités, comme indiqué sur le support de l'échelle de biseau (10).
- Resserrez bien le levier de maintien.
- Faites toujours une coupe d'essai dans une chute de bois pour confirmer le bon réglage de l'angle de biseau. Si nécessaire retouchez de façon appropriée l'angle de biseau avant de couper la pièce définitive.

INDICATEURS DE LIGNE DE COUPE

- Le cran d'indication de ligne de coupe sont fournis à l'avant de la base de la scie.
- Le bord gauche de le cran est utilisé pour suivre une ligne de coupe à 0°.
- Le bord droit de le cran est utilisé pour suivre une ligne de coupe à 45° de biseau.
- Du fait que l'épaisseur de lame varie, il est nécessaire de faire des coupes d'essai dans une chute du matériau, le long du guidage, pour déterminer le bon alignement de ligne de coupe avec le cran afin d'obtenir une coupe précise.

INSTALLATION DU GUIDE DE REFENTE (FIG 6)

Quand vous coupez du bois d'oeuvre dans le sens de la longueur, vous coupez en général dans le sens du grain du bois plutôt qu'en travers. La coupe dans ce sens est appelée refente ou coupe de refente. Comme ce type de coupe est en général étendu, il peut être difficile de suivre précisément la ligne de guidage sur toute la longueur de la coupe. Pour aider l'opérateur à obtenir une coupe de refente droite, un règle droite peut être fixée sur la pièce à couper, ou on peut utiliser un guide de refente. Pour installer ce guide de refente optionnel sur votre scie, effectuez les étapes suivantes.



- Insérez le guide de refente au travers les deux fentes dans la base de scie à l'avant, en commençant par celle sur le bord gauche de la base.
- Glissez le guide au travers de ces fentes jusqu'à ce qu'il dépasse sur le côté droit de la base.
- Réglez le guide de refente pour la largeur voulue de coupe, puis serrez la vis (12) dans le centre pour maintenir le guide de refente dans cette position.

⚠ AVERTISSEMENT: Pour éviter des blessures et ne pas endommager la pièce, étendez le guide de refente au travers de tous les trous de la base.

INSTALLER LE TUYAU ADAPTATEUR D'ASPIRATION (FIG 7)

Un tuyau adaptateur d'aspiration est fourni avec cet outil. Lorsqu'il est utilisé correctement, il peut contribuer à l'élimination de la surface de coupe aussi bien la poussière, que les copeaux et les débris de coupe.

1. Connectez la petite extrémité de l'adaptateur d'aspiration au port d'extraction de poussière de l'outil.
2. Connectez l'autre extrémité de l'adaptateur d'aspiration à l'extrémité du tuyau d'aspiration.



FONCTIONNEMENT

DÉMARRAGE ET ARRÊT DE LA SCIE (FIG 8)

⚠ AVERTISSEMENT: Avant de brancher l'outil, toujours vérifier que l'interrupteur est en position « OFF » (ARRÊT). Accidentellement démarrage la scie peut entraîner des blessures.



Pour mettre la scie en MARCHE, Tirer la gâchette de verrouillage (14) dans le sens indiqué à la FIG 8, puis appuyer sur le commutateur (15).

REMARQUE: Laissez toujours la lame prendre sa pleine vitesse avant de guider la scie dans la pièce à couper.

⚠ AVERTISSEMENT: La lame entrant en contact avec la pièce avant d'avoir atteint toute sa vitesse peut provoquer un **REBOND** renvoyant la scie vers vous, d'où un **risqué de sérieuses blessures**.

Pour l'ARRÊTER la scie, relâcher le commutateur. Laissez la lame s'arrêter complètement.

REMARQUE: Ne sortez pas votre scie de la pièce coupée temps que sa lame n'est pas immobile.

APPLICATION

ATTENTION: Pour rendre le sciage plus facile et plus sûr, assurez-vous de déplacer la scie vers l'avant doucement en ligne droite. Le fait de forceR ou de tourner l'outil entraînerait une surchauffe du moteur et un possible **REBOND** dangereux, avec risque de **sérieuses blessures**.

Il est important de comprendre la technique correcte d'utilisation de votre scie, et d'apprendre ce qui est bon et ce qui ne l'est pas dans la manière de la tenir. Il est également important de travailler en sécurité, et de réaliser des coupes correctes avec une bonne préparation de la pièce à couper et de la zone de travail avant d'entamer la première coupe avec votre scie.

- Tenez fermement l'outil.
- Évitez de placer une main sur la pièce pendant que vous réalisez une coupe.
- Placez la pièce à couper avec son « bon » côté par dessous.
- Fixez solidement la pièce à couper de façon à ce qu'elle ne bouge pas durant la coupe.
- Placez une fixation près de la coupe pour mieux soutenir la pièce.
- Tracez une ligne de guidage sur le chemin de coupe désiré avant de lancer votre scie sur la coupe.
- Écartez le cordon secteur et maintenez-le hors de la zone de coupe. Positionnez-le de façon à ce qu'il ne s'accroche pas sur la pièce à couper, et que vous n'avez pas la possibilité de marchez dessus ou de vous prendre les pieds dedans pendant le travail.

DANGER: Si pendant que vous utilisez la scie le cordon s'accroche sur la pièce ou un autre objet pendant la coupe, relâchez immédiatement la gâchette de l'interrupteur. Débranchez la scie et repositionnez le cordon pour éviter qu'il ne s'accroche de nouveau.

COUPE EN TRAVERS ET COUPE DE REFENTE

La coupe directement perpendiculaire au grain du bois de la pièce est appelée coupe en travers, et c'est le type le plus répandu de coupe réalisée avec une scie circulaire. La coupe du bois dans la longueur, en suivant son grain, est appelée coupe de refente. C'est le plus souvent nommé refente simplement. Ces deux types de coupe sont réalisées de la même manière, sauf en ce qui concerne la façon de soutenir et de fixer la pièce à couper. Après avoir fixé la pièce en position avec des fixations ou serre-joints, préparez la zone de travail, positionnez le cordon pour éviter qu'il ne soit coupé ou s'accroche, effectuez les réglages initiaux sur la scie, tirez une ligne de guidage et mettez vos lunettes de protection. Vous pouvez commencer l'opération de coupe.

- Tenez fermement l'outil.
- Posez la partie avant de la base de scie sur la pièce à couper sans que la lame ne fasse contact. Alignez le cran indicateur de ligne de coupe sur le côté droit de la base avec votre ligne de guidage tracée.
- Mettez la scie en marche en appuyant sur la gâchette d'interrupteur et attendez que la lame prenne sa pleine vitesse.
- Poussez l'outil en avant sur la pièce à couper, en le maintenant à plat et en avançant lentement tout en suivant votre ligne de guidage, jusqu'à la fin du sciage.
- Relâchez la gâchette d'interrupteur. Attendez que la lame soit complètement arrêtée. Vérifiez que la garde inférieure est bien revenue en position pour entourer la lame. Maintenant vous pouvez sans danger sortir la scie de la pièce travaillée et la poser à l'écart.
- Pour obtenir des coupes nettes, suivez tout droit votre ligne de guidage et progressez à vitesse régulière.

- Si la coupe ne suit pas correctement votre ligne de guidage prévue, n'essayez pas de dévier l'outil et de forcer un retour sur la ligne de coupe théorique. En agissant ainsi vous pouvez déformer la lame et amener un rebond dangereux avec possible blessure grave. Au lieu de ça relâchez la gâchette d'interrupteur, attendez que la lame s'arrête de tourner, puis enlevez l'outil. Réalignez la scie sur une nouvelle ligne de guidage de coupe et recommencez l'opération de coupe.
- Évitez de vous positionner en vous trouvant sur la trajectoire des copeaux et de la sciure de coupe éjectés par la scie.

COUPE EN BISEAU

Les coupes en biseau sont faites en utilisant la même technique que des coupes en travers ou de refente décrites précédemment. La différence est que la lame est positionnée avec un angle (inclinaison) réglable de 0° à 45°. Une coupe en biseau faite à un angle de la planche est appelée à onglet combinée. Certaines de ces coupes combinées nécessitent de rétracter manuellement la protection inférieure pour permettre à la lame d'entrer dans et/ou au travers de la coupe.

Il y a des outils mieux adaptés qu'une scie circulaire pour faire des coupes à onglet et combinées. Cependant le cran intérieur indicateur de ligne de coupe aide l'opérateur à suivre sa ligne de guidage de coupe, mais le carter de moteur incliné cependant empêche sa capacité de bien voir la lame, ce qui rend des coupes précises difficiles. Avant de vous lancer dans une tâche avec beaucoup de coupes à onglet et combines, il est conseillé à l'utilisateur inexpérimenté de la scie de s'entraîner sur des chutes de bois pour se familiariser avec les difficultés associés à ces coupes particulières et les surmonter.

COUPES DE CAVITÉS

Une coupe de cavité est une coupe qui doit se faire en commençant dans la zone de la pièce plutôt qu'en partant d'un bord extérieur en rentrant dans la pièce. Les coupes de cavités peuvent être très dangereuses à tenter pour le débutant du fait du besoin de rétracter manuellement la protection inférieure et d'effectuer une coupe en plongée potentiellement dangereuse.

- Ajustez les réglages de biseau sur 0°.
- Faites le réglage de profondeur de lame adéquat.
- Basculez vers le haut la protection inférieure de lame en utilisant sa poignée.

REMARQUE: Relevez toujours la protection inférieure en vous servant de la poignée pour éviter des blessures graves.

- Tenez la protection inférieure par la poignée.
- Reposez l'avant de la base à plat contre la pièce à couper avec la partie arrière de la scie élevée de façon à ce que la lame ne la touche pas.
- Démarrez la scie et laissez la lame atteindre sa pleine vitesse.
- Guidez la scie en descendant dans la pièce et réalisez la coupe.



⚠ AVERTISSEMENT: Coupez toujours dans la direction avant pour la coupe de cavités. Coupez en sens inverse peut amener la scie à remonter sur la pièce et revenir vers vous.

- Relâchez la gâchette et laissez la lame revenir à un arrêt complet.
- Levez la scie de la pièce travaillée.
- Répétez le processus pour les côtés restants, puis dégagez les angles avec une scie à main ou une scie sauteuse.

⚠ AVERTISSEMENT: N'attachez jamais la protection inférieure en position levée. Laisser la lame exposée peut entraîner des blessures graves.

ACCESSORIES

Les accessoires recommandés pour l'outil

modèle#	image	description	appliacion
GACSB451		Lame à 24 dents emboîtées au carbure, qualité supérieure	Pour la coupe de bois, le plastique et autres des matériaux tendres
GACSB452		Lame de scie hss de 60 dents	Pour la coupe en plâtre, le bois, le aluminium et autres métaux non ferreux tôle mince

ENTRETIEN

NETTOYAGE

Éviter d'utiliser des solvants pour le nettoyage des pièces en plastique. La plupart des matières plastiques peuvent être endommagées par divers types de solvants du commerce. Utiliser un chiffon propre pour éliminer la saleté, la poussière, l'huile, la graisse, etc.

⚠ AVERTISSEMENT: Ne jamais laisse de liquides tels que le fluide de freins, l'essence, les produits à base de pétrole, les huiles pénétrantes, etc., entrer en contact avec les pièces en plastique. Les produits chimiques peuvent endommager, affaiblir ou détruire le plastique, ce qui peut entraîner des blessures graves.

Les outils électriques utilisés sur la fibre de verre, le pla-coplâtre, les mastics de bouchage ou le plâtre s'usent plus vite et sont susceptibles de défaillance prématurée, car les particules et les éclats de fibre de verre sont fortement abrasifs pour les roulements, balais, commutateurs, etc. En conséquence, nous ne recommandons pas d'utiliser cet outil pour un travail prolongé avec ces types de matériaux. Toutefois, si l'outil a été utilisé sur l'un de ces matériaux, il est extrêmement important de le nettoyer à l'air comprimé.

LUBRIFICATION

Ce outils est lubrifiés en permanence à l'usine et ne nécessitent aucune lubrification supplémentaire.

GARANTIE DE DEUX ANS

Ce produit est garanti exempt de défauts dus au matériaux et à la main d'œuvre pendant 2 ans à compter de sa date d'achat. Cette garantie limitée ne couvre pas l'usure normale ni les détériorations ou dommages dus à négligence, utilisation anormale ou accident. L'acheteur d'origine est couvert par cette garantie mais elle n'est pas transférable. Avant de renvoyer votre l'outil au magasin d'achat, s'il vous plaît appelez sans frais la ligne d'aide pour les solutions possibles.

CE PRODUIT N'EST PAS GARANTI S'IL EST UTILISÉ POUR DES FINS INDUSTRIELLES OU COMMERCIALES.

LES ACCESSOIRES COMPRIS DANS CE KIT NE SONT PAS COUVERTS PAR LA GARANTIE DE 2 ANS.

LIGNE D'ASSISTANCE SANS FRAIS

Pour vos questions sur ce produit ou un autre de GENESIS, veuillez utiliser en Amérique du Nord ce numéro d'appel sans frais: **888-552-8665**.

Ou visitez notre site web: **www.genesispowertools.com**

ESPECIFICACIONES

- Modelo: ----- GCS445SE
- Potencia nominal: ----- 120V~ / 60Hz, 4A
- Velocidad sin carga: ----- 3500 RPM
- Tamaño de la hoja: ----- 115mm (4-1/2")
- Tamaño del árbol: ----- 9.5mm (3/8")
- Capacidad de corte a 90 °: ----- 43mm (1-11/16")
- Capacidad de corte a 45 °: ----- 28.5 mm (1-1/8")
- Peso neto: ----- 4.7 libras

Incluye: Hoja con punta de carburo de 24T, guía de corte al hilo, adaptador para aspiradora y llave Allen

⚠ ADVERTENCIA: Para reducir el riesgo de lesiones, el usuario debe leer y entender este manual del operario antes de operar esta herramienta. Guarde este manual para consultas futuras.

Línea de ayuda gratuita: 1-888-552-8665.



⚠ ADVERTENCIA: La operación de cualquier herramienta motorizada puede provocar el lanzamiento de objetos extraños hacia sus ojos, lo cual puede resultar en daño grave de los ojos. Antes de iniciar la operación con la herramienta, siempre colóquese gafas de seguridad con protectores laterales y cuando sea necesario, una careta de protección de toda la cara. Recomendamos las caretas de visión amplia para utilizar sobre las gafas de seguridad con protectores laterales. Siempre utilice protección de ojos que esté marcada indicando el cumplimiento de la norma ANSI Z87.1



Busque este símbolo que indica precauciones de seguridad importantes. Éste significa ¡¡¡atención!!! Su seguridad está involucrada.

REGLAS GENERALES DE SEGURIDAD

⚠ ADVERTENCIA: Algunos polvos producidos por actividades como lijar, aserrar, pulir, taladrar y otras actividades relacionadas con la construcción contienen productos químicos que se sabe causan cáncer, defectos de nacimiento u otros daños en el sistema reproductivo. Algunos ejemplos de estos productos químicos son:

- Plomo procedente de pinturas de base de plomo.
- Sílice cristalina procedente de ladrillos, cemento y otros productos de mampostería.
- Arsénico y cromo procedentes de la madera tratada químicamente.

El riesgo de estas exposiciones varía, dependiendo de la frecuencia con que se realiza este tipo de trabajo. Para reducir la exposición a estos productos químicos: trabaje en una área con buena ventilación y con los equipos de seguridad aprobados, tales como mascarillas antipolvo especialmente diseñadas para eliminar por filtración partículas microscópicas.

⚠ ADVERTENCIA: Antes de utilizar este equipo, lea y entienda todas las advertencias, precauciones e instrucciones de operación. No seguir todas las instrucciones enumeradas a continuación, podría resultar en una descarga eléctrica, un incendio y/o lesiones personales graves.

GUARDE ESTAS INSTRUCCIONES

ÁREA DE TRABAJO

- **Mantenga limpia y bien iluminada el área de trabajo.** Una mesa de trabajo mal despejada y una mala iluminación son causas comunes de accidentes.
- **No utilice herramientas motorizadas en atmósferas explosivas,** como las existentes alrededor de líquidos, gases y polvos inflamables. Las herramientas eléctricas generan chispas que pueden encender el polvo y los vapores inflamables.
- **Mantenga alejados a los circunstantes,** niños y demás presentes al utilizar una herramienta eléctrica. Toda distracción puede causar la pérdida del control de la herramienta.

SEGURIDAD EN EL MANEJO DE EQUIPO ELÉCTRICO

- **La herramienta eléctrica enchufes debe coincidir con la toma de corriente.** Nunca modifique el enchufe de ninguna manera. No utilice ningún adaptador de enchufes en cualquier tierra (tierra) las herramientas eléctricas. Las herramientas con aislamiento doble están equipadas de una clavija polarizada (una patilla es más ancha que la otra). Esta clavija encaja de una sola forma en una toma de corriente polarizada. Si la clavija no encaja completamente en la toma de corriente, invierta la clavija. Si aún así no encaja, comuníquese con un electricista calificado para que instale una toma de corriente polarizada. No modifique la clavija de ninguna manera. Con el aislamiento doble se elimina la necesidad de usar cables de tres conductores y conexión a tierra, así como de sistemas de alimentación eléctrica con conexión a tierra
- **No exponga las herramientas eléctricas a la lluvia ni a condiciones de humedad.** La introducción de agua en una herramienta eléctrica aumenta el riesgo de descargas eléctricas.
- **Evite el contacto del cuerpo con las superficies de objetos conectados a tierra,** como las tuberías, radiadores, estufas y refrigeradores. Existe un mayor riesgo de descargas eléctricas si el cuerpo está en contacto con tierra.
- **No maltrate el cordón eléctrico.** Nunca use el cordón eléctrico para portar las herramientas ni para sacar la clavija de una toma de corriente. Mantenga el cordón lejos del calor, aceite, bordes afilados y piezas móviles. Cambie de inmediato todo cable eléctrico dañado. Los cordones eléctricos dañados aumentan el riesgo de descargas eléctricas.
- **Al utilizar una herramienta eléctrica en el exterior,** utilice un cordón eléctrico de extensión que lleve las marcas "W-A" o "W". Estos cordones eléctricos están aprobados para el uso en exteriores y reducen el riesgo de descargas eléctricas.
- **No utilice el adaptador de CA evaluado las herramientas con un suministro de corriente.** Si bien la herramienta puede parecer que el trabajo, los componentes eléctricos de la herramienta de CA nominal es probable que no y plantear un peligro para el operador.

SEGURIDAD PERSONAL

- **Permanezca alerta,** preste atención a lo que esté haciendo y aplique el sentido común al utilizar herramientas eléctricas. No utilice la herramienta si está cansado o se encuentra bajo los efectos de alguna droga, alcohol o medicamento. Un momento de inatención al utilizar una herramienta eléctrica puede causar lesiones corporales serias.
- **Use equipo de seguridad.** Siempre póngase protección para los ojos. Cuando lo exijan las circunstancias debe ponerse careta contra el polvo, zapatos de seguridad antiderrapantes, casco o protección auditiva
- **Vístase adecuadamente.** No vista ropas holgadas ni joyas. Recójase el cabello si está largo. Mantenga el cabello, la ropa y los guantes alejados de las piezas móviles. Las ropas holgadas, las joyas y el cabello largo pueden engancharse en las piezas móviles.
- **Evite un arranque accidental de la unidad.** Asegúrese que el interruptor está apagado antes de conectar la unidad. Llevar las herramientas con el dedo en el interruptor o conectarlas con el interruptor puesto es causa común de accidentes.
- **Retire toda llave o herramienta de ajuste antes de encender la herramienta eléctrica.** Toda llave o herramienta de ajuste dejada en una pieza giratoria de la herramienta eléctrica puede causar lesiones.

- **No estire el cuerpo para alcanzar un distancia mayor a la natural.** Mantenga una postura firme y buen equilibrio en todo momento. La postura firme y el buen equilibrio permiten un mayor control de la herramienta en situaciones inesperadas.
- **Si los aparatos que se ofrecen para la conexión de extracción de polvo y de instalaciones de recogida,** asegurar que estos están conectados y se utilizan adecuadamente. El uso de estos dispositivos puede reducir los riesgos relacionados con el polvo.
- **No utilice la unidad al estar en una escalera o en un soporte inestable.** Una postura estable sobre una superficie sólida permite un mejor control de la herramienta en situaciones inesperadas.
- **Mantenga la herramienta seca,** limpia y libre de aceite y grasa. Siempre utilice un trapo limpio para realizar actividades de limpieza. Nunca utilice fluidos de freno, gasolina, productos de base de petróleo, ni ningún solvente, para limpiar la herramienta.

EMPLEO Y CUIDADO DE LA HERRAMIENTA

- **Asegure la pieza de trabajo.** Utilice prensas de sujeción o una prensa de banco para sostener la pieza de trabajo cuando sea posible. Utilizar prensas de sujeción o dispositivos mecánicos similares es más seguro que utilizar su mano(s) y le permite utilizar ambas manos para operar la herramienta. Perder el control de la pieza de trabajo puede causar lesiones personales.
- **No fuerce la herramienta.** Utilice la herramienta adecuada para cada tarea. La herramienta adecuada efectúa mejor y de manera más segura el trabajo, si además se maneja a la velocidad para la que está diseñada.
- **Utilice la herramienta correcta para el trabajo.** No fuerce la herramienta o accesorio utilizándolo en un trabajo para el cual no fue diseñado. No utilice la herramienta para un propósito para el cual no está diseñada ya que podría producirse daño a la máquina y/o lesiones personales.
- **No utilice la herramienta si el interruptor no realiza la operación de encendido y apagado.** Solicite a un centro de servicio autorizado que reemplace los interruptores defectuosos.
- **Apague la máquina,** y desconecte la máquina de la fuente de energía antes de ajustar o cambiar los valores de ajuste, o al realizar reparaciones. Podría ocurrir un arranque accidental que cause lesiones personales.
- **Guarde las herramientas que no estén en uso fuera del alcance de los niños** y de toda persona no capacitada en el uso de las mismas. Las herramientas son peligrosas en manos de personas no capacitadas en el uso de las mismas.
- **Proporcione mantenimiento con cuidado a las herramientas.** Revise para ver si hay desalineación o atoramiento de piezas móviles, ruptura de piezas o toda otra condición que pueda afectar el funcionamiento de la herramienta. Si se daña la herramienta, llévela a servicio antes de volver a utilizarla. Numerosos accidentes son causados por herramientas mal cuidadas.
- **Utilice los accesorios recomendados.** Utilizar accesorios no recomendados por el fabricante o no diseñados para uso en una herramienta de este tipo, podría causar daño a la máquina o lesiones personales al usuario. Consulte el manual del operario para conocer los accesorios recomendados.
- **Mantenga las herramientas de corte afiladas y limpias.** Las herramientas de corte bien cuidadas, con bordes bien afilados, tienen menos probabilidad de atascarse en la pieza de trabajo y son más fáciles de controlar.
- **Empuje la pieza de trabajo en la dirección y velocidad correctas.** Empuje la pieza de trabajo dentro de la hoja, cuchilla o superficie abrasiva únicamente en dirección contraria a la dirección de rotación de la herramienta de corte. El empuje incorrecto de la pieza de trabajo en la misma dirección de rotación de la herramienta de corte provoca que la pieza de trabajo sea lanzada a alta velocidad.
- **Nunca deje la herramienta funcionando sin supervisión.** Desactive la energía. No abandone la máquina hasta que se haya detenido por completo.
- **Nunca arranque una herramienta cuando cualquier componente giratorio está en contacto con la pieza de trabajo.**

⚠️ ADVERTENCIA: El uso de esta herramienta puede generar y desembolsar polvo u otras partículas transportadas por el aire, incluyendo polvo de madera, polvo de sílice cristalina y asbestos. Dirija las partículas en dirección contraria a la cara y el cuerpo. Siempre utilice la herramienta en una área bien ventilada y suministre lo necesario para la remoción apropiada del polvo. Utilice sistemas colectores de polvo cuando sea posible. La exposición al polvo podría causar lesiones respiratorias graves y permanentes u otras lesiones, incluyendo silicosis (una enfermedad pulmonar grave), cáncer y la muerte. Evite respirar el polvo, y evite el contacto prolongado con el polvo. Permitir que el polvo ingrese a su boca u ojos, o que se deposite sobre su piel podría provocar la absorción de materiales peligrosos. Cuando exista exposición a polvo, siempre utilice protección respiratoria aprobada por NIOSH/OSHA que ajuste apropiadamente, y lave con jabón y agua las áreas expuestas.

SERVICIO

- **Han toolto su poder ser reparado por una persona cualificada de reparación utilizando sólo repuestos idénticos.** Esto garantizará que la seguridad de la herramienta de poder se mantiene.
- **Servicio de su herramienta eléctrica periódicamente.** Cuando una herramienta de limpieza, cuidado de no desmontar cualquier parte de la herramienta interna, porque los cables pueden ser apretado fuera de lugar.

GUARDE ESTAS INSTRUCCIONES

CABLES DE EXTENSIÓN

Las herramientas de conexión a tierra requieren un cable de extensión de tres alambres. Las herramientas de aislamiento doble pueden utilizar un cable de extensión de dos o tres alambres. A medida que aumenta la distancia desde el tomacorriente de suministro de energía, usted debe utilizar un cable de extensión de mayor calibre. Utilizar cables de extensión con alambre de dimensiones inadecuadas causa una caída grande del voltaje, lo que resulta en pérdida de energía y posible daño a la herramienta. Consulte la tabla mostrada enseguida para determinar el tamaño de alambre mínimo requerido.

Entre más pequeño sea el número de calibre del alambre, mayor es la capacidad del cable. Por ejemplo: un cable de calibre 14 puede transportar más corriente que un cable de calibre 16. Cuando se utiliza más de un cable de extensión para conformar la longitud total, verifique que cada cable contiene como mínimo el tamaño de alambre mínimo requerido. Si usted está utilizando un cable de extensión para más de una herramienta, sume los amperios indicados en la placa de datos de cada herramienta y utilice la suma para determinar el tamaño de alambre mínimo requerido.

Pautas para utilizar cables de extensión

- Si usted está utilizando un cable de extensión en exteriores, verifique que esté marcado con el sufijo “W-A” (“W” en Canadá) que indica que es aceptable para uso en exteriores.
- Verifique que su cable de extensión tiene los alambres apropiados y que está en buenas condiciones eléctricas. Siempre reemplace un cable de extensión dañado o hágalo reparar por una persona calificada antes de utilizarlo.
- Proteja sus cables de extensión contra objetos cortantes, calor excesivo y áreas mojadas o húmedas.

Calibre de alambre mínimo recomendado para cables de extensión (120 Voltios)

Amperios según la placa de datos (a plena carga)	Longitud del cable de extensión					
	25 pies	50 pies	75 pies	100 pies	150 pies	200 pies
0-2.0	18	18	18	18	16	16
2.1-3.4	18	18	18	16	14	14
3.5-5.0	18	18	16	14	12	12
5.1-7.0	18	16	14	12	12	10
7.1-12.0	18	14	12	10	8	8
12.1-16.0	14	12	10	10	8	6
16.1-20.0	12	10	8	8	6	6

REGLAS DE SEGURIDAD ESPECÍFICAS PARA SIERRAS

CIRCULAR

⚠️ ADVERTENCIA: NO permita que la confianza o familiaridad con el producto (lograda después del uso repetido) reemplace el estricto cumplimiento de estas reglas de seguridad para sierras ingleteadoras. Si usted utiliza esta herramienta de manera insegura o incorrecta, usted puede sufrir graves lesiones personales.

- **Sujete la herramienta por las superficies de agarre aisladas** al efectuar la operación cuando la herramienta de corte puede hacer contacto con cables ocultos. El contacto con un cable “con corriente” también puede hacer que las piezas de metal expuestas “tengan corriente” y el operador reciba una descarga.
- **¡PELIGRO! Mantenga las manos alejadas del área de corte y la hoja.** Mantenga el cuerpo ubicado a uno u otro lado de la hoja de la sierra, pero no en la dirección de la hoja de la sierra. El REBOTE podría hacer que la sierra salte hacia atrás. (Consulte “Causas y prevención de rebotes por parte del operador”) No coloque las manos debajo de la pieza de trabajo. Si lo hace, el protector no le servirá. No intente retirar el material cortado mientras la hoja esté en movimiento.

PRECAUCIÓN: Después de apagar la máquina, la hoja sigue moviéndose. Antes de tomar el material cortado espere a que la hoja se detenga.


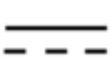









- **Revise que el protector inferior esté bien cerrado antes de cada uso.** No use la sierra si el protector inferior no se mueve libremente ni se cierra de inmediato. Nunca sujete ni fije el protector inferior para que quede abierto. Si la sierra se cae accidentalmente, el protector inferior se puede doblar. Levante el protector inferior con la Palanca de retracción y asegúrese de que se mueva libremente y que no toque la hoja ni ninguna otra parte, en todos los ángulos y profundidades de corte. Para revisar el protector inferior, ábralo con la mano y luego suéltelo y observe el cierre. También revise que la Palanca de retracción no toque la caja de la herramienta. Dejar la hoja expuesta es MUY PELIGROSO y puede ocasionar lesiones personales graves.
- **Revise el funcionamiento y el estado del resorte del protector inferior.** Si el protector y el resorte no funcionan correctamente deben recibir mantenimiento antes de usar la sierra. El protector inferior puede funcionar lentamente debido a piezas dañadas, depósito de materiales pegajosos o acumulación de residuos.
- **El protector inferior debe retraerse manualmente sólo** para cortes especiales como “cortes en bolsillo” y “cortes compuestos”. Levante el protector inferior con la Palanca de retracción. Apenas la hoja penetra el material, el protector inferior debe liberarse. Para el resto de los cortes con sierra, el protector inferior debe funcionar automáticamente.
- **Observe siempre que el protector inferior cubra la hoja** antes de colocar una sierra sobre el banco o el piso. Si la hoja está aún en movimiento y sin protección, hará que la sierra se desplace hacia atrás y corte todo lo que encuentre a su paso. Tenga en cuenta el tiempo que le lleva a la hoja detenerse después de soltar el interruptor.
- **NUNCA sostenga la pieza que esté cortando con las manos o sobre la pierna.** Es importante sostener la pieza de trabajo correctamente para reducir al mínimo la exposición del cuerpo, el atascamiento de la hoja o la pérdida de control.
- **Cuando corte al hilo, use una guía de corte al hilo o de corte recto.** Esto mejora la precisión del corte y reduce la posibilidad de que la hoja se atasque.
- **Uso siempre hojas del tamaño y la forma de los orificios del eje correctos** (diamante o redonda). Las hojas que no coincidan con la pieza de montaje de la sierra girarán en forma excéntrica y causarán la pérdida del control.
- **Nunca use arandelas ni pernos dañados o incorrectos.** Las arandelas y el perno de la hoja fueron diseñados especialmente para la sierra a fin de lograr el rendimiento y la seguridad de funcionamiento óptimos.
- **Causas y prevención de rebotes por parte del operador:**
El rebote es una reacción repentina a una hoja de sierra apretada, atascada o mal alineada que hace que la sierra se levante y salga de la pieza de trabajo fuera de control hacia el operador.

- * When the blade is tight or stuck firmly because the slot is closed, the blade stops and the reaction of the motor drives the unit rapidly back toward the operator.
- * Si la hoja se tuerce o se desalinea en el corte, los dientes del borde trasero de la hoja se pueden clavar en la superficie superior de la madera y hacer que la hoja salga de la ranura y salte hacia atrás en dirección al operador.
- * El rebote es el resultado del mal uso de la herramienta o de procedimientos operativos incorrectos y puede evitarse tomando las precauciones adecuadas que figuran a continuación:
 - > Mantenga la sierra firmemente agarrada y coloque el cuerpo y el brazo de modo tal que le permita resistir las fuerzas de REBOTE. Las fuerzas de REBOTE pueden ser controladas por el operador si se toman las precauciones adecuadas.
 - > Cuando la hoja se esté atascando o cuando interrumpa un corte por algún motivo, suelte el gatillo y sostenga la sierra inmóvil en el material hasta que la hoja se detenga por completo. Nunca intente quitar la sierra de la pieza de trabajo ni retirar la sierra hacia atrás mientras la hoja esté en movimiento porque puede producirse un REBOTE. Revise y tome medidas correctivas para eliminar la causa del atascamiento de la hoja.
 - > Cuando vuelva a encender la sierra que está en la pieza de trabajo, centre la hoja de la sierra en la ranura y revise que los dientes no estén clavados en el material. Si la hoja de la sierra se está atascando, puede levantarse o REBOTAR de la pieza de trabajo al volver a encender la sierra.
 - > Sostenga los paneles grandes para reducir al mínimo el riesgo de que la hoja sea apretada y REBOTE. Los paneles grandes suelen curvarse por su propio peso. Se deben colocar soportes debajo de ambos lados del panel, cerca de la línea de corte y cerca del borde del panel.
 - > No use hojas desafiadas ni dañadas. Las hojas desafiadas o colocadas incorrectamente producen una ranura angosta que causa excesiva fricción, atascamiento de la hoja y REBOTE.
 - > Las palancas de bloqueo de profundidad de corte y ajuste del bisel deben estar ajustadas y seguras antes de realizar el corte. Si el ajuste de la hoja cambia durante el corte, se producirá un atascamiento y un REBOTE.
 - > Tenga especial cuidado al hacer un "corte en bolsillo" en paredes o en otras áreas ciegas. La hoja sobresaliente puede cortar objetos que a su vez pueden causar REBOTE.
- **No deje la herramienta en funcionamiento.** Opere la herramienta sólo cuando la tenga sujeta con la mano.
- **Cuando opere la herramienta en una posición elevada,** tenga cuidado con las personas y cosas debajo de usted.
- **Siempre sujete firmemente la herramienta en sus manos antes de cambiar la función "ON".** La reacción al par de torsión del motor, ya que acelera a la velocidad completa puede hacer que la herramienta se tuerza.
- **Utilice protección de ojos y auditiva.** siempre utilice gafas de seguridad con protectores laterales. A menos que se especifique de otra manera, las gafas comunes de uso diario sólo proporcionan resistencia limitada a los impactos, estas gafas NO son gafas de seguridad. Sólo utilice equipos de seguridad certificados; los equipos de protección de ojos deben cumplir las normas ANSI Z87.1. Los equipos de protección auditiva deben cumplir las normas ANSI S3.19.
- **Protéjase los pulmones.** Use una careta o mascarilla contra el polvo si la operación genera mucho polvo. Con el cumplimiento de esta regla se reduce el riesgo de lesiones serias.

GUARDE ESTAS INSTRUCCIONES

SÍMBOLOS

Algunos de los siguientes símbolos pueden aparecer en este producto. Estudie estos símbolos y aprender su significado. Una correcta interpretación de estos símbolos le permitirá una operación más eficiente y más seguro de este producto.

SÍMBOLO	DESCRIPCIÓN	SÍMBOLO	DESCRIPCIÓN
V	Voltios	 or A.C.	Corriente alterna
A	Amperios	 or D.C.	Corriente directa
Hz	Hertz		Construcción Clase II Construcción de doble aislamiento
W	Watts		Símbolo de advertencia. Precauciones para su seguridad
n_o	Velocidad en vacío		Para reducir el riesgo de lesiones, el Manual del Operador Leer antes de usar este producto
kg	Kilogramos		Use gafas de seguridad, protección auditiva y protección respiratoria
H	Horas		No se deshaga con la basura doméstica
RPM	Rotaciones por minuto		No toque la hoja funcionando
SPM	Carreras por minuto		No utilizar en condiciones húmedas
OPM	Oscilaciones por minuto		No coloque la batería en el fuego
.../min	por minuto		La batería no puede ser superior a 59°C



Este símbolo indica que este producto está en la lista de los requisitos de Estados Unidos y Canadá por medio de pruebas ETL Laboratories, Inc

SU SIERRA CIRCULAR

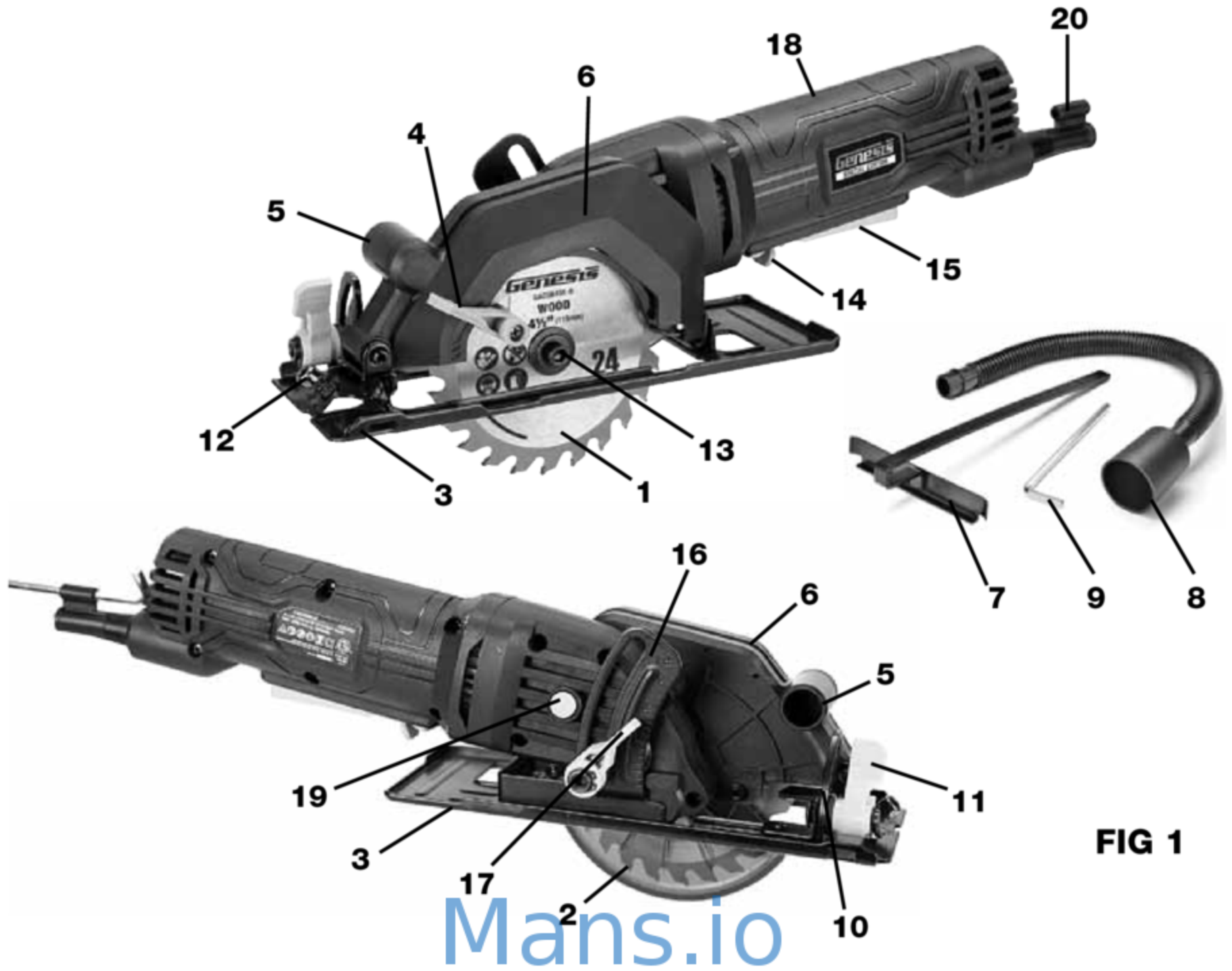


FIG 1

- | | |
|------------------------------------|--|
| 1. Hoja de sierra | 11. Palanca de sujeción de bisele |
| 2. Protector de hoja inferior | 12. Tornillo de bloqueo de guía de corte al hilo |
| 3. Base | 13. Perno y la arandela de la hoja |
| 4. Palanca de protector inferior | 14. Gatillo del Seguro de Apagado |
| 5. Conducto de extracción de polvo | 15. Interruptor |
| 6. Protector de hoja superior | 16. Guía de profundidad |
| 7. Guía de corte al hilo | 17. Palanca de profundidad |
| 8. Adaptador de la aspiradora | 18. Motor |
| 9. Llave Allen | 19. Botón de fijación del eje |
| 10. Placa de escala de biseles | 20. Sujetador de llave Allen |

DESEMPAQUETADO Y CONTENIDO

IMPORTANTE: Debido a las modernas técnicas de producción en masa, es poco probable que la herramienta está defectuoso o que una parte se pierde. Si encuentra algo incorrecto, no opere la herramienta hasta que las partes han sido sustituidos o la falla ha sido corregida. El no hacerlo podría resultar en lesiones graves.

PIEZAS SUELTAS EN LA CARTÓN

Descripción	CANT.	Descripción	CANT.
Sierra con hoja	1	Llave Allen para cambio de hoja	1
Hoja de sierra	1	Adaptador de la aspiradora	1
Guía de corte al hilo	1	Manual del Operario	1

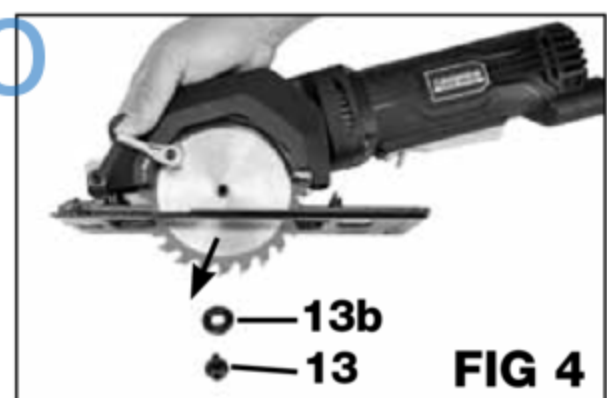
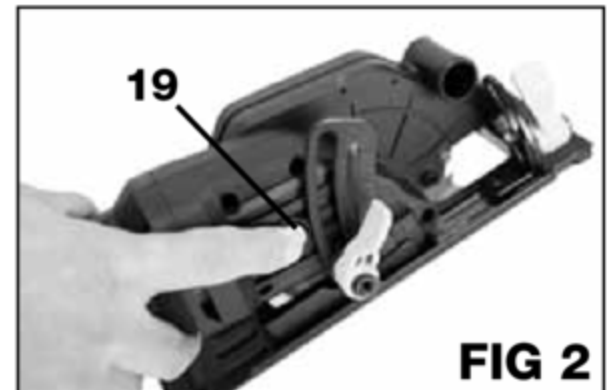
ARMADO Y AJUSTES

⚠️ ADVERTENCIA: Para reducir el riesgo de serias lesiones personales, lea y siga todas las advertencias de seguridad importantes y las instrucciones antes de usar esta herramienta.

⚠️ ADVERTENCIA: 4-1/2" es la capacidad máxima de hoja de su sierra. Nunca utilice una hoja demasiado gruesa que no permita que la arandela-brida exterior encaje apropiadamente en el eje. Una hoja demasiado gruesa evitará que el perno de la hoja asegure la hoja en el eje. Hojas de mayor diámetro harán contacto con la cubierta protectora de la hoja. Cualquier de estas situaciones podría resultar en un accidente grave.

INSTALACIÓN DE LA HOJA (FIG 2,3,4)

- Desenchufe su sierra circular.
- Presione y mantenga presionado el botón de fijación del eje (19). Gire el eje del disco hasta que encaje.
- Utilizando la llave Allen (9) provisto, retire el perno de la hoja y la arandela (13) girándolo en sentido horario.
- Retire la arandela-brida exterior (13b).
- Levante el protector inferior y deslice la hoja en el eje. La flecha de la hoja de la sierra debe corresponder con la flecha que indique el sentido de rotación en el protector.
- Coloque nuevamente la arandela-brida exterior.
- Coloque nuevamente el perno de la hoja y la arandela.
- Presione y mantenga presionado el botón de fijación del eje, Apriete firmemente el perno de la hoja girándolo en sentido antihorario mediante la llave Allen.

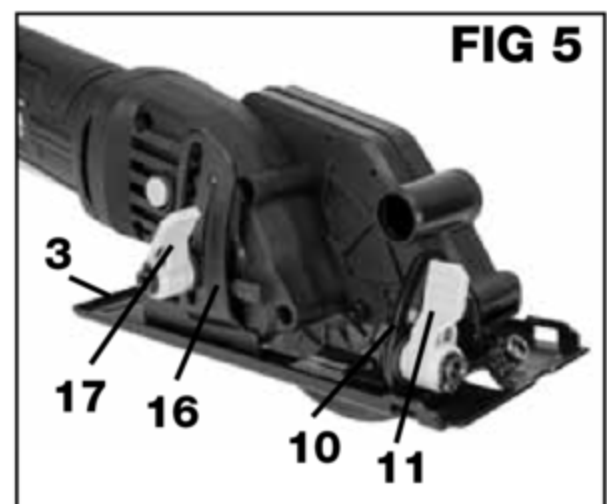


DESMONTAJE DE LA HOJA (FIG 2,3,4)

- Desenchufe su sierra circular.
- Presione y mantenga presionado el botón de fijación del eje (19). Gire el eje del disco hasta que encaje.
- Utilizando la llave Allen (9) provisto, retire el perno de la hoja y la arandela (13) girándolo en sentido horario.
- Retire la arandela-brida exterior..
- Levante el protectora inferior de la hoja.
- Desmonte la hoja fuera del eje y fuera de la sierra.

AJUSTE DE LA PROFUNDIDAD DE CORTE (FIG 5)

- Desenchufe su sierra circular.
- Afloje la palanca ubicada en la guía de profundidad en la parte trasera de la sierra.
- Mueva la base (3) hacia arriba o abajo hasta la profundidad deseada según se indica en la escala de profundidad (16).
0
- Levante la cubierta protectora inferior de la hoja y coloque la base de la sierra sobre la pieza de trabajo que se va a cortar, con la hoja de la sierra colocada contra el borde. Presione la base de la sierra sobre la superficie de la pieza de trabajo, luego levante o baje la carcasa del motor para obtener la profundidad de corte deseada utilizando el borde de la pieza de trabajo como una referencia.
- Asegure la base apretando la palanca.



NOTA: Siempre mantenga el valor correcto de profundidad de la hoja. Para todos los cortes, la profundidad de la hoja no debe exceder 1/4" debajo del material que se está cortando. La profundidad excesiva de hoja aumenta la posibilidad de REACCIÓN DE RETROCESO de la sierra.

AJUSTE DEL ÁNGULO DE BISEL (FIG 5)

- Afloje la palanca de sujeción de bisele (11) en la parte delantera de la base de la sierra.
- Incline la base de la sierra (3) hasta que la graduación deseada en la escala de biseles alinee con la línea indicadora en el soporte de biseles estacionario (10).
- Apriete firmemente la palanca de sujeción.
- Siempre realice un corte de prueba en un pedazo de madera de desecho y mida el ángulo de corte para confirmar que el ángulo de bisel está ajustado apropiadamente; si es necesario, ajuste apropiadamente el ángulo de bisel antes de cortar la pieza de trabajo.

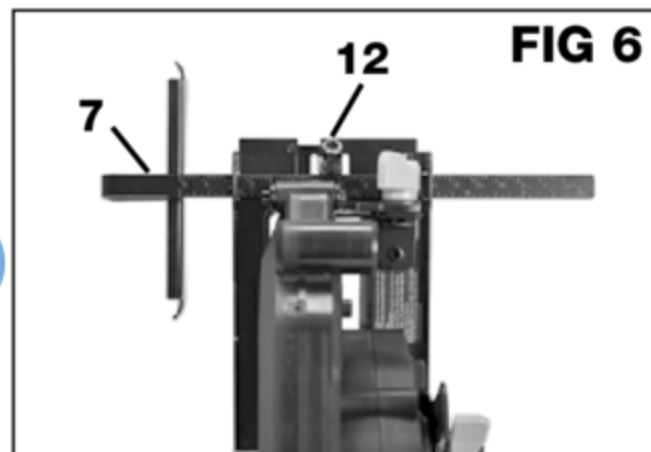
INDICADORES DE LÍNEA DE CORTE

- Se suministran muesca indicadora de línea de corte en la parte delantera de la base de la sierra.
- El borde izquierdo de la muesca se utiliza para seguir una línea cuando se realiza un corte de 0°.
- El borde derecho de la muesca se utiliza para seguir una línea cuando se realiza un corte de bisel de 45°.
- Ya que los espesores de hoja varían, es necesario realizar cortes de prueba en material de desecho, a lo largo de una línea de guía, para determinar la alineación apropiada de la línea de guía dentro de la muesca para obtener un corte preciso.

INSTALACIÓN DE UNA GUÍA PARA DE CORTE AL HILO (FIG 6)

Cuando se corta madera en sentido longitudinal, usualmente se estará cortando paralelamente a la fibra de la madera en vez de cortar transversalmente a través de la fibra. Cortar paralelamente a la fibra de la madera se denomina "corte longitudinal". Ya que los cortes longitudinales tienden a ser largos, puede ser difícil seguir de manera precisa la línea de guía a lo largo de toda la distancia del corte. Para ayudar al operario a obtener un corte longitudinal recto, puede sujetarse un borde recto a la pieza de trabajo o puede utilizarse la guía para cortes longitudinales opcional suministrada. Para instalar la guía para cortes longitudinales opcional en su sierra, realice los siguientes pasos.

- Desenchufe su sierra circular.
- Inserte la guía de cortes al hilo a través de todas las dos ranuras en la base de la sierra en la parte delantera de la sierra, comenzando con la ranura en el borde izquierdo de la base.
- Deslice la guía a través de la ranuras hasta que ésta se extienda hacia afuera del lado derecho de la base.
- Ajuste la guía de cortes al hilo para la anchura de corte deseada y apriete firmemente el tornillo de fijación (12) en el centro para asegurar la guía de corte en su posición.



⚠ ADVERTENCIA: Para evitar lesiones personales y daño a la pieza de trabajo, extienda la guía para cortes al hilo a través de todas las ranuras en la base.

INSTALACIÓN DE UNA ADAPTADOR DE LA ASPIRADORA (FIG 7)

Se ha suministrado un adaptador de la aspiradora con la herramienta. Cuando se usa correctamente puede ayudar a eliminar polvo, astillas y residuos de corte del área de corte.

1. Conecte el extremo pequeño del adaptador de la aspiradora al orificio de extracción de la herramienta.
2. Conecte el otro extremo del adaptador de la aspiradora al extremo de una aspiradora.

FUNCIONAMIENTO

ARRANQUE Y PARADA DE LA SIERRA

⚠ ADVERTENCIA: Antes de enchufar la herramienta, compruebe siempre que el interruptor esté en la posición de Apagado. Accidentalmente encender la sierra podría causar daños personales.

Para encender la sierra, Tire del gatillo de bloqueo (14) en la dirección que se muestra en la FIG. 8, luego presione el interruptor (15).

NOTA: Siempre permita que la hoja alcance la velocidad total antes de guiar la sierra dentro de la pieza de trabajo.

⚠ ADVERTENCIA: La hoja que hace contacto con la pieza de trabajo antes de alcanzar la velocidad total, podría causar que su sierra produzca **REACCIÓN DE RETROCESO** hacia usted, lo que resultaría en lesiones personales graves.

Para apagarlo, suelte el interruptor. Permita que la hoja se detenga por completo.

NOTA: No retire su sierra de la pieza de trabajo mientras la hoja todavía está en movimiento.



APLICACIÓN

PRECAUCIÓN: Para realizar cortes con sierra más fáciles y más seguros, asegúrese de mover suavemente la herramienta hacia adelante en línea recta. Forzar o torcer la herramienta resultará en sobrecalentamiento del motor y **REACCIÓN DE RETROCESO** peligrosa, lo que causaría posiblemente lesiones personales graves.

Es importante entender la técnica correcta para operar su sierra y aprender cuáles son las maneras correctas e incorrectas de manejar su sierra. Igualmente importante a trabajar de manera segura y realizar cortes precisos es la preparación correcta de la pieza de trabajo y del área de trabajo antes de realizar el primer corte con la sierra.

- Sostenga firmemente la herramienta.
- Evite colocar su mano sobre la pieza de trabajo mientras realiza un corte.
- Coloque la pieza de trabajo con el lado "bueno" hacia abajo.
- Sujete firmemente la pieza de trabajo de modo que ésta no se mueva durante el corte.
- Coloque un sujetador cerca del corte para soportar adicionalmente la pieza de trabajo.
- Antes de arrancar su sierra o iniciar el corte, trace una línea de guía a lo largo de la trayectoria de corte deseada.
- Mueva y mantenga el cable alejado del área de corte. Posicione el cable para evitar que cuelgue sobre la pieza de trabajo y que usted se pare sobre el cable o se tropiece con el cable durante el corte.

PELIGRO: Si, mientras se opera la sierra, el cable cuelga sobre la pieza de trabajo u otro objeto durante un corte, libere inmediatamente el gatillo del interruptor. Desenchufe la sierra y reubique el cable para evitar que éste cuelgue nuevamente.

CORTE TRANSVERSAL Y CORTE AL HILO

Cortar transversalmente la fibra de una pieza de trabajo se denomina corte transversal y es probablemente el tipo de corte más común realizado con una sierra circular. Cortar la madera longitudinalmente, o paralelamente a la fibra, se denomina corte longitudinal. Ambos tipos de cortes se realizan de la misma manera con excepción de los métodos utilizados para soportar y asegurar la pieza de trabajo para el corte. Después que usted haya asegurado la pieza de trabajo en posición mediante prensas de sujeción o dispositivos similares, haya preparado el área de trabajo, haya posicionado el cable de modo que no se cortará ni se colgará, haya realizado los ajustes de la sierra, haya realizado las mediciones necesarias, haya trazado una línea guía recta, y se haya colocado una protección para sus ojos, usted puede iniciar la operación de corte.

- Sostenga firmemente la herramienta.
- Coloque la parte delantera de la base de la sierra sobre la pieza de trabajo que se va a cortar, sin hacer ningún contacto con la hoja. Alinee la muesca indicadora de línea de corte ubicada en el lado izquierdo de la base con su línea de guía.
- Encienda la sierra presionando el gatillo del interruptor y espere hasta que la hoja alcance la velocidad total.
- Facilite el movimiento hacia adelante de la herramienta sobre la superficie de la pieza de trabajo, manteniéndola horizontal y avanzando suavemente mientras sigue su línea de guía, hasta finalizar el corte.

- Libere el gatillo del interruptor. Espere que la hoja se detenga por completo. Ahora, usted puede retirar de manera segura la sierra fuera de la pieza de trabajo y colocarla abajo fuera del camino.
- Para lograr cortes limpios, mantenga recta su línea de corte y mantenga uniforme la velocidad de avance.
- Si los cortes no siguen apropiadamente la línea de corte pretendida, no intente girar ni forzar la herramienta de regreso hacia la línea de corte. Hacerlo así podría doblar la hoja y llevar a reacción de retroceso peligrosa y posibles lesiones personales graves. En cambio, libere el gatillo del interruptor, espere que la hoja se detenga, y luego retire la herramienta. Realice la sierra sobre una nueva línea de corte e inicie nuevamente el corte.
- Evite colocarse usted en la trayectoria de astillas y polvo de madera lanzados por la sierra.

CORTE DE BISELES

Los cortes de bisel se realizan utilizando la misma técnica de los cortes transversales y los cortes longitudinales descritos en la sección anterior. La diferencia es que la hoja se coloca en ángulo (inclinada) entre 0° y 45°. Un corte de bisel realizado en ángulo con respecto al borde de una tabla se denomina inglete compuesto. Algunos cortes compuestos podrían requerir que usted retraiga manualmente la cubierta protectora inferior para permitir que la hoja ingrese dentro y/o a través del corte.

Hay herramientas más apropiadas para los cortes de bisel y los cortes compuestos que la sierra circular de mano. Aunque la muesca indicadora interior de línea de corte ayuda al operario a seguir su línea guía de corte, la carcasa inclinada del motor obstruye la posibilidad de ver la hoja y hace difícil los cortes precisos. Antes de iniciar un proyecto con numerosos cortes compuestos o cortes de bisel, se sugiere que el usuario de sierra inexperto dedique tiempo a realizar cortes de práctica en madera de desecho para familiarizarse con y superar las dificultades asociadas con el corte compuesto/bisel.

CORTES DE CAVIDADES

Un corte de cavidad es un corte que debe realizarse dentro del área de la pieza de trabajo, en vez de iniciar desde un borde exterior, y trabajando hacia adentro. Los cortes de concavidades pueden ser muy peligrosos para las personas inexpertas, porque es necesario retraer manualmente la cubierta protectora inferior y realizar un corte de inmersión que es potencialmente peligroso.

- Ajuste el valor de bisel en cero.
- Ajuste la hoja en el valor de profundidad correcto de la hoja.
- Gire hacia arriba la cubierta protectora inferior de la hoja utilizando la manija de la cubierta protectora inferior de la hoja.

NOTA: Siempre levante la cubierta protectora inferior de la hoja con la manija, para evitar lesiones graves.

- Sostenga la cubierta protectora inferior de la hoja mediante la manija.
- Apoye la parte delantera de la base horizontalmente contra la pieza de trabajo con el mango trasero elevado de modo que la hoja no haga contacto con la pieza de trabajo.
- Arranque la sierra y permita que la hoja alcance la velocidad total.
- Guíe la sierra hacia abajo dentro de la pieza de trabajo y realice el corte.



⚠ ADVERTENCIA: Siempre corte en una dirección hacia adelante al realizar el corte de cavidad. Cortar en dirección contraria podría causar que la sierra se suba sobre la pieza de trabajo y hacia atrás hacia usted.

- Libere el gatillo y permita que la hoja se detenga por completo.
- Levante la sierra fuera de la pieza de trabajo.
- Repita este procedimiento para los lados restantes, y luego pula las esquinas con una sierra de mano o sierra de contornear.

⚠ ADVERTENCIA: Nunca amarre la cubierta protectora inferior de la hoja en una posición levantada. Dejar la hoja expuesta podría llevar a lesiones graves.

ACCESORIOS

Los accesorios recomendados para esta herramienta:

Modelo #	Imagen	Descripción	Aplicación
GACSB451		Hoja con punta de carburo de primera calidad de 24T	Para corte de madera, plástico y otros materiales blandos
GACSB452		Hoja de sierra hss de 60 dientes	Para el corte de paneles de yeso, madera aluminio y otros meta metales chapa delgada no ferrosos

MANTENIMIENTO

LIMPIEZA

Evite el empleo de solventes al limpiar piezas de plástico. La mayoría de los plásticos son susceptibles a diferentes tipos de solventes comerciales y pueden resultar dañados. Utilice paños limpios para eliminar la suciedad, el polvo, el aceite, la grasa, etc.

⚠️ ADVERTENCIA: No permita en ningún momento que fluidos para frenos, gasolina, productos a base de petróleo, aceites penetrantes, etc., lleguen a tocar las piezas de plástico. Las sustancias químicas pueden dañar, debilitar o destruir el plástico, lo cual a su vez puede producir lesiones corporales serias.

Las herramientas eléctricas que se utilizan en materiales de fibra de vidrio, paneles de yeso para paredes, compuestos de resanar o yeso, están sujetas a desgaste acelerado y posible fallo prematuro porque las partículas y limaduras de fibra de vidrio son altamente abrasivas para los cojinetes, escobillas, conmutadores, etc. Por consiguiente, no recomendamos el uso de esta herramienta durante períodos prolongados de trabajo en estos tipos de materiales. Sin embargo, si usted trabaja con cualquiera de estos materiales, es sumamente importante limpiar la herramienta con aire comprimido.

LUBRICACIÓN

Su herramientas permanentemente lubricado en la fábrica y no requieren lubricación adicional.

GARANTÍA DE DOS AÑOS

Este producto está garantizado contra defectos de material y de fabricación durante 2 años a partir de la fecha de compra. Esta garantía limitada no cubre el desgaste normal o daños por negligencia o accidente. El comprador original está cubierto por esta garantía y no es transferible. Antes de devolverlo su herramienta para almacenar la ubicación de la compra, por favor llame gratis a la línea de ayuda para las posibles soluciones.

ESTE PRODUCTO NO ESTÁ GARANTIZADO SI SE UTILIZA PARA PROPÓSITOS INDUSTRIALES O COMERCIALES.

LOS ACCESORIOS INCLUIDOS CON ESTE JUEGO NO TIENEN 2 AÑOS DE GARANTÍA.

LÍNEA DE AYUDA GRATUITA

Para preguntas acerca de este o cualquier otro producto GENESIS Llame gratuitamente al teléfono:

888-552-8665.

O visite nuestro sitio web: **www.genesispowertools.com**

Genesis

Mans.io

Richpower Industries, Inc.
736 Hampton Road
Williamston, SC USA
www.genesispowertools.com