



INSTALLATION AND OPERATION MANUAL

"THE MASTER" GAS CONVECTION OVEN



FOR YOUR SAFETY:
DO NOT STORE OR USE GASOLINE
OR OTHER FLAMMABLE VAPORS OR
LIQUIDS IN THE VICINITY OF
THIS OR ANY OTHER
APPLIANCE

WARNING:
IMPROPER INSTALLATION, ADJUSTMENT,
ALTERATION, SERVICE OR MAINTENANCE
CAN CAUSE PROPERTY DAMAGE, INJURY,
OR DEATH. READ THE INSTALLATION,
OPERATING AND MAINTENANCE
INSTRUCTIONS THOROUGHLY
BEFORE INSTALLING OR
SERVICING THIS EQUIPMENT

PLEASE READ ALL SECTIONS OF THIS MANUAL
AND RETAIN FOR FUTURE REFERENCE.

THIS PRODUCT HAS BEEN CERTIFIED AS
COMMERCIAL COOKING EQUIPMENT AND
MUST BE INSTALLED BY PROFESSIONAL
PERSONNEL AS SPECIFIED.

IN THE COMMONWEALTH OF MASSACHUSETTS
THIS PRODUCT MUST BE INSTALLED BY A
LICENSED PLUMBER OR GAS FITTER. APPROVAL
NUMBER: G-1-07-05-28

For Your Safety:

Post in a prominent location, instructions to be
followed in the event the user smells gas. This
information shall be obtained by consulting
your local gas supplier.

Users are cautioned that maintenance and repairs must be performed by a Garland authorized service agent using genuine Garland replacement parts. Garland will have no obligation with respect to any product that has been improperly installed, adjusted, operated or not maintained in accordance with national and local codes or installation instructions provided with the product, or any product that has its serial number defaced, obliterated or removed, or which has been modified or repaired using unauthorized parts or by unauthorized service agents.

For a list of authorized service agents, please refer to the Garland web site at <http://www.garland-group.com>.

The information contained herein, (including design and parts specifications), may be superseded and is subject to change without notice.

Manufactured by:
Cleveland Range
1333 East 179th Street
Cleveland, Ohio USA 44110

GARLAND COMMERCIAL RANGES, LTD.
1177 Kamato Road, Mississauga, Ontario L4W 1X4
CANADA
Phone: 905-624-0260
Fax: 905-624-5669

IMPORTANT INFORMATION

WARNING:

This product contains chemicals known to the state of California to cause cancer and/or birth defects or other reproductive harm. Installation and servicing of this product could expose you to airborne particles of glass wool/ceramic fibers. Inhalation of airborne particles of glass wool/ceramic fibers is known to the state of California to cause cancer. Operation of this product could expose you to carbon monoxide if not adjusted properly. Inhalation of carbon monoxide is known to the state of California to cause birth defects or other reproductive harm.

Keep appliance area free and clear of combustibles.

CONTENTS

IMPORTANT INFORMATION.....	2	Master 475 Electronic Programmable Control	12
DIMENSIONS & SPECIFICATIONS	4	Manual cooking	12
INTRODUCTION.....	5	Manual cooking using Cook-N-Hold.....	12
INSTALLATION	5	Programming Product Keys (Master 475) .	13
Installation Notes:.....	5	Cooking using the product keys	
Installation Of Ovens Equipped With Casters ..	5	(Master 475).....	14
Installation Of Double Deck Models.....	6	Verifying hold time (Master 475).....	14
Gas Connection.....	7	Cooking with the Shelf Timer	
Electrical Connection	7	(Master 475).....	14
Ventilation & Air Supply	7	PERFORMANCE RECOMMENDATIONS ..	15
Testing & Lighting Instructions	8	COOKING GUIDE	16
OPERATION.....	9	COOK AND HOLD	17
Master 200 Solid State Control With		PROBLEMS / SOLUTIONS	18
Electromechanical Timer	9	CLEANING & MAINTENANCE	19
In Off Mode	9	Break-In Period.....	19
Start Up.....	9	Exterior Cleaning.....	19
Fan Speed	9	Interior Cleaning	19
Lights.....	9	Fan Area Maintenance.....	19
Cool Down.....	9	MOTOR CARE	20
Temperature	9		
Timer:	10		
Master 450 Electronic Control With			
Cook-N-Hold And Master 455 Electronic			
Control With Cook-N-Hold & Core Probe	10		
In Off Mode	10		
On Start Up	10		
Controller Keys	10		
Fahrenheit/Celsius.....	11		
Operating the Controls	11		
Cook-N-Hold Operation	12		
Core Probe Operation	12		
Setting Setback Feature	12		

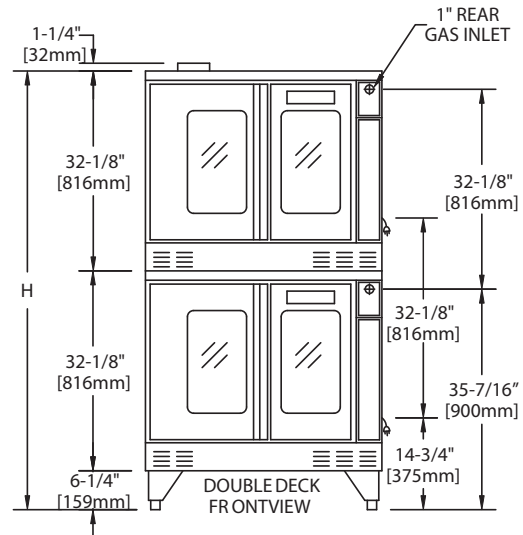
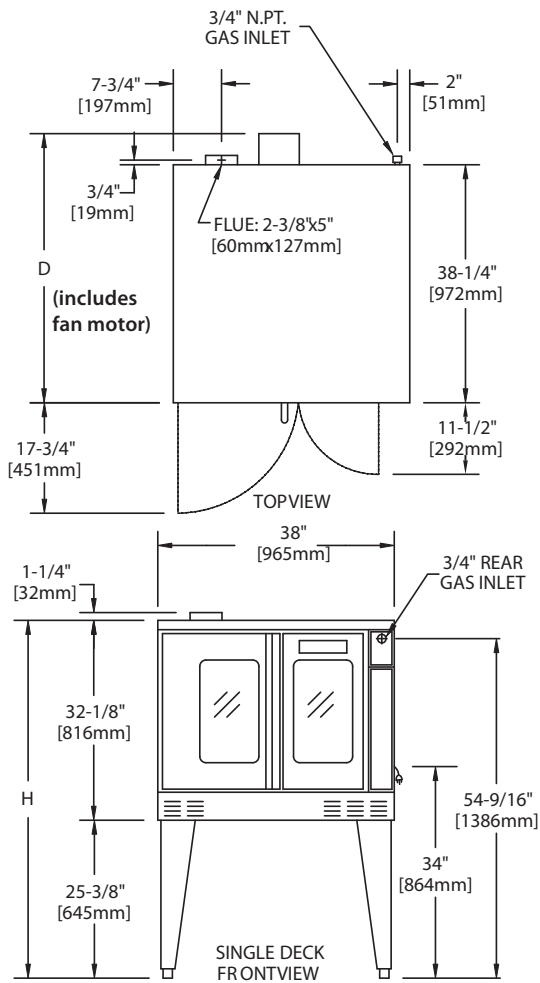
DIMENSIONS & SPECIFICATIONS

Single-Deck Models	Int. Dimensions :In (mm)			Ext. Dimensions: In (mm)			Ship Wt	Ship Dim.
	W	H	D	W	H*	D	Lbs/kg	Cubic Ft.
Standard Depth	29 (736)	24 (610)	24 (610)	38 (965)	57-1/2 (1461)	41-1/4(1048)	515/230	64
Deep Depth	29 (736)	24 (610)	28 (711)	38 (965)	57-1/2 (1461)	44-1/2(1130)	545/245	64

Double-Deck Models	Int. Dimensions: In (mm)			Ext. Dimensions: In (mm)			Ship Wt.	Ship Dim.
	W	H	D	W	H*	D	2@Lbs/kg	Cubic Ft.
Standard Depth	29 (736)	24 (610)	24 (610)	38 (965)	70-1/2 (1791)	41-1/4(1048)	1030/465	128
Deep Depth	29 (736)	24 (610)	28 (711)	38 (965)	70-1/2 (1791)	44-1/2(1130)	1090/490	128

*Height with or without standard casters. Height with low profile casters (double deck) is 68-1/2" (1740mm).

Models	Input Ratings, Nat & Pro			Electrical Specifications	
	BTU/hr	kW Equiv.	Gas Inlet	120V/1Ph.	240V/1Ph.
Single Deck	60,000	17.6	(1) @ 3/4" NPT	(1)@9.8A	(1)@ 5.2A
Double Deck	120,000	35.2	(1)@1" NPT	(2)@9.8A	(2)@ 5.2A



Installation Notes:

- Combustible Wall Clearances:**
 Sides: 1" (25mm)
 Back: 3" (76mm)
- Entry Clearance:**
 Crated: 47" (1194mm)
 Uncrated: 32-1/2" (826mm)

Operating Pressure:

- Natural: 4." WC (10 mbar)
 Propane: 10" WC (25 mbar)
 Max 13.8" WC @ 70°F (21°C)
- NOTE: Data applies only to North America

Notes:

- Standard electrical specifications include motor requirements.
- (120V units) 115V 3/4 HP, 2-speed motor; 1140 and 1725 rpm 60Hz
- (240V units) 200-240V, 3/4 HP, 2-speed motor; 1140 and 1725 rpm, 60Hz
- A 6 ft. line cord is provided for each 120V deck with a (NEMA #5-15P) plug.
- Garland recommends a separate 15 AMP circuit for each 120V unit.

Gas Input ratings shown here are for installations up to 2,000-ft. (610m) above sea level. Specify altitudes over 2,000 ft. Commercial cooking equipment requires an adequate ventilation system. For additional information, refer to the National Fire Protection Association's standard NFPA96, "Vapor Removal from Cooking Equipment." (NOTE: For North America only) Please specify gas type when ordering.

INTRODUCTION

CONGRATULATIONS! You have just purchased the finest commercial cooking equipment available anywhere.

Like any other fine, precision built appliance, it should be given regular care and maintenance. Periodic inspections by your dealer or a qualified service agency is recommended. When corresponding with the factory or your local authorized

factory service center regarding service problems or replacement parts, be sure to refer to the particular unit by the correct model number (including the prefix and suffix letters and numbers) and the warranty serial number. The rating plate located behind the lower front panel (below the oven doors) contains this information.

INSTALLATION

Installation Notes:

Combustible and Non-Combustible Wall Clearance:

Side: 1.0" (25 mm)
Rear: 3.0" (76 mm).

NOTE: Adequate clearance must be provided for servicing and proper operation.

The importance of the proper installation of Commercial Gas Cooking Equipment cannot be over stressed. Proper performance of the equipment is dependent, in great part, on the compliance of the installation with the manufacturer's specifications. Installation must conform to local codes or, in the absence of local codes, with the National Fuel Code, ANSI Z223.1, Natural Gas Installation Code, CAN/CGA-B149.1, or the Propane Installation Code, CAN/CGA-B149.2, as applicable.

Before assembly and connection, check gas supply.

- A. The type of gas for which the unit is equipped is stamped on the data plate located behind lower front panel. Connect a unit stamped "NAT" only to natural gas; connect a unit stamped "PRO" only to propane.
- B. If it is a new installation, have gas authorities check meter size and piping to assure that the unit is supplied with sufficient amount of gas pressure required to operate the unit.
- C. If it is additional or replacement equipment, have gas authorities check pressure to make certain that existing meter and piping will supply fuel at the unit with not more than 1/2" water column pressure drop.

NOTE: When checking pressure be sure that all other equipment on the same gas line is on. An internal pressure regulator is supplied with GARLAND Convection Ovens. Regulator is preset to deliver gas at pressure shown on the rating plate.

The appliance and its individual shut-off valve must be disconnected from the gas supply piping system during any pressure testing of that system at test pressures in excess of 1/2 PSI (3.45 kPa).

The appliance must be isolated from the gas supply piping system by closing its individual manual shut-off valve during any pressure testing of the gas supply piping system at test pressures equal to or less than 1/2 PSI (3.45 kPa).

Installation Of Ovens Equipped With Casters

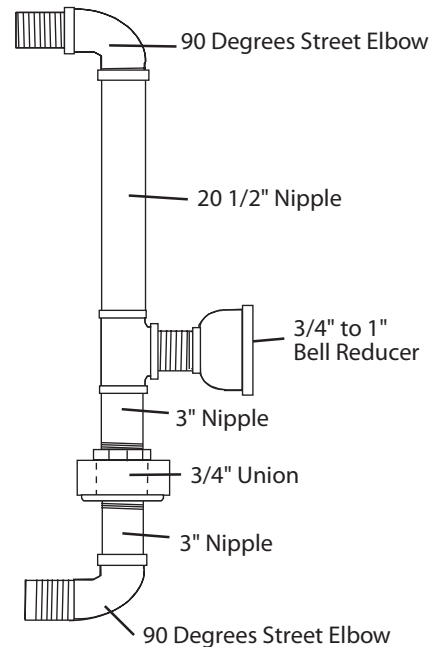
- A. For an appliance equipped with casters, the installation shall be made with a connector that complies with the Standard for Connectors for Movable Gas Appliances, ANSI Z21.69 / CSA 6.16, and a quick-disconnect device that complies with the Standard for Quick-Disconnect Devices for Use With Gas Fuel, ANSI Z21.41 / CSA 6.9, and adequate means must be provided to limit the movement of the appliance without depending on the connector and the quick-disconnect device or its associated piping to limit the appliance movement and the location(s) where the restraining means may be attached to the appliance shall be specified.
- B. The front casters of the unit are equipped with brakes to limit the movement of the oven without depending on the connector and any quick-disconnect device or its associated piping to limit the appliance movement.
- C. The restraint can be attached to the unit near the gas inlet. If the restraint is disconnected, be sure to reconnect the restraint after the oven has been returned to its originally installed position.

INSTALLATION Continued

Installation Of Double Deck Models

- A. Position insert in bottom leg opening and tap insert up into leg till it seats at collar. Attach six inch (6") legs to lower oven section. Raise unit or lay on its left side. Place the front legs on the oven so as to line up with four (4) attaching bolt holes. Secure leg to oven frame using (4) 3/8-16 x 3/4 bolts and washers provided. Repeat at rear of unit.
- B. Remove lower front cover of top deck (located under oven doors). Raise top deck into place and line up body sides and back of the unit. Fasten the rear of the units together, with the stacking bracket, using (6) 1/4-20 machine screws, lock washers and nuts, (provided).
- C. Install the interconnecting flue parts, carefully following the instructions contained in the stacking kit. Pay particular attention to the type of ovens you are stacking and be sure to follow the corresponding instructions.
- D. Assemble the stacking pipes provided in the stacking kit as shown in the diagram at the top of this page. This allows both ovens to be supplied by a single gas line. The minimum recommended size of a single supply line for two stacked ovens is 1 inch. Use a pipe thread compound that is intended for use on propane gas piping and be sure to check for leaks before finalizing the installation.
- E. Check leveling of unit four (4) ways (using a common carpenter's level on the rack inside the oven).
- F. Plug the cord set of each unit into a 115-Volt power supply outlet.
- G. Maintain clearance from combustibles.

Each gas appliance shall be located with respect to building construction and other equipment so as to permit access to the appliance. Such access and clearance may be necessary for servicing and cleaning.



CAUTION:
DISCONNECT BOTH UNITS FROM ELECTRICAL SUPPLY BEFORE SERVICING.

POWER FAILURE
In the event of a power failure, no attempt should be made to operate this oven.

IMPORTANT
All gas burners and pilots need sufficient air to operate and large objects should not be placed in front of this oven, which would obstruct the airflow through the front. Objects should not be placed on main top rear of oven while in use. This could obstruct the venting system of the unit's flue products.

INSTALLATION Continued

Gas Connection

The 1" NPT inlet at the rear must be considered in piping the gas supply for double stack units or 3/4" NPT for individual (or single deck) connections. Undersized gas supply line(s) may restrict the gas supply and affect performance. If other gas appliances are supplied by the same supply line, the supply line must be sized to carry the combined volume without causing more than 1/2" pressure drop at the manifold of each appliance on the line at full rate.

Recommended supply pressures are 7" WC, (NAT), and 11" WC, (PRO); ± 5%. (Must not exceed 13.8" WC [NAT], and 15" WC [PRO]).

Electrical Connection

A 15 AMP service must be provided for each oven. For 115 VAC usage, a cord and plug (NEMA #5-15P) is provided but connection to the electrical service must be electrically grounded in accordance with local codes, or in the absence of local codes, with the National Electrical Code, ANSI/NFPA 70, or the Canadian Electrical Code, CSA C22.2, as applicable.

This appliance is equipped with a three-prong (grounding) plug for your protection against shock hazard and should be plugged directly into a properly grounded three-prong receptacle.

**DO NOT CUT OR REMOVE THE
GROUNDING PRONG FROM THIS PLUG.**

A wire diagram is affixed to the rear of the unit.

Ventilation & Air Supply

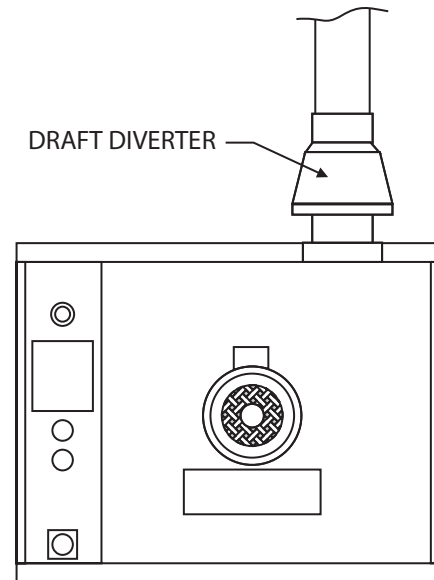
Proper ventilation is highly important for good operation. There are only two choices for properly venting an oven: 1) canopy hood style or 2) direct venting. The ideal method of venting a GAS Convection Oven is through the use of a properly designed canopy, which should extend 6" (150 mm), beyond all sides of the appliance and 6'6" (1950 mm) from the floor.

A strong exhaust fan will create a vacuum in the room. For an exhaust system vent to work properly, exhaust and make-up air must be balanced properly. For proper air balance contact your local H.V.A.C. contractor.

All gas burners and pilots need sufficient air to operate and large objects should not be placed in front of this oven, which would obstruct the airflow through the front. Installation Of A Direct Flue

When the installation of a canopy type exhaust hood is impossible the oven may be direct vented. Before direct venting check your local codes on ventilation, in the absence of local codes, refer to the National Fuel Code NFPA 54, ANSI Z223.1 (latest revision).

If the unit is to be connected directly to a direct flue, it is necessary that draft diverter be installed to insure proper ventilation.



Direct venting, should be positioned on the main top and fastened with sheet metal screws provided.

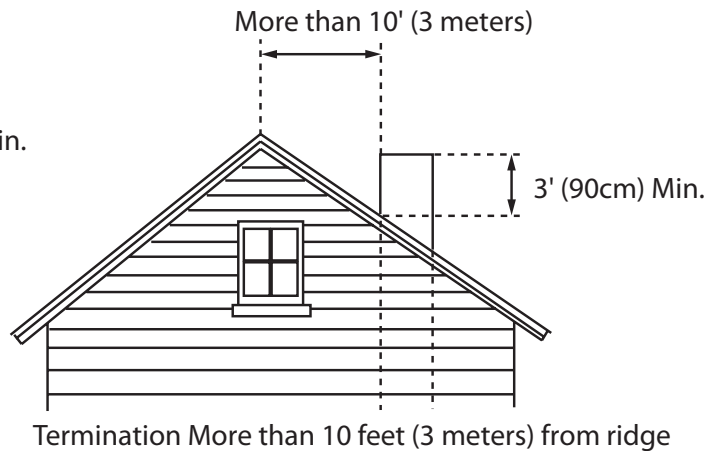
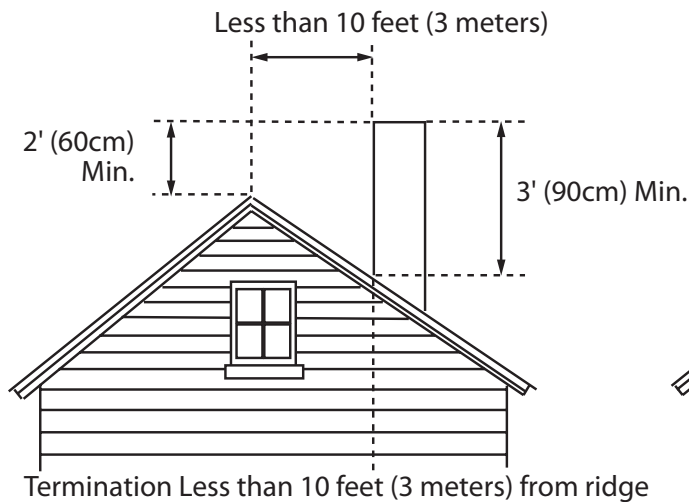
NOTE: Each oven has been factory tested and adjusted prior to shipment. It may be necessary to further adjust the oven as part of a proper installation. Such adjustments are the responsibility of the installer. Adjustments are not considered defects in material and workmanship, and they are not covered under the original equipment warranty.

DO NOT UNDER SIZE VENT PIPE!

This can cause resistance to flow and impede good venting. We suggest that if a horizontal run must be used it should rise no less than 1/4" (6.25mm) for each linear foot of run, and after a total of 180° of bends you should increase the size of stove pipe by two (2") inches. The flue should rise 2' (60cm) to 3' (90cm) above the roofline or 2' (60cm) to 3' (90cm) above any portion of a building within a horizontal distance of 10 (3 meters) feet.

The following diagram is only one example from the National Fuel Gas Code Book NFPA 54, ANSI Z223.1, 7.5.3:

INSTALLATION continued



Testing & Lighting Instructions

1. Turn on main gas valve. Remove the lower front cover and the service panel above the control panel. Drop the control panel and leak test all fittings and connections upstream from the service valve located on the redundant combination gas valve. Should any gas leaks be detected, turn OFF main gas valve, correct the problem and retest.
2. Open shutoff valve located on the redundant combination gas valve. Activate control panel and set to desired temperature. The pilot burner is ignited by direct spark, main burners are then ignited by the pilot. Check all fittings again and correct any leaks and recheck.

Replace all service panels and covers before operation.

NOTE: All electronic ignition systems are supplied with a redundant gas valve. Therefore, the unit is not supplied with an external pressure regulator.

NOTE: During installation there will be air in the gas line. This air will have to bleed off before ignition can be established. The electronic ignition system has a ninety second lock-out as a safety device on all units. Therefore, several attempts may be required before pilot ignition is established, wait five minutes after each attempt.

FOR YOUR SAFETY: KEEP YOUR APPLIANCE AREA FREE FROM COMBUSTIBLES.

TO CONSERVE ENERGY:

Do not waste energy by leaving controls at high temperature settings during idle periods. Lower settings will keep oven warm and ready for next use period. Master 400 Series controls have an auto setback feature that is user programmable to help with these applications.

OPERATION

Master 200 Solid State Control With Electromechanical Timer

In Off Mode

When the oven is off, there are no lights or indicators.

Start Up

Press the Cook/Off/Cool Down rocker switch to the "Cook" position. The green lamp will light indicating the oven is powered in cook mode.

The oven will begin to heat to the temperature set on the thermostat dial. The amber lamp will light indicating the heat is active. As the heat cycles on and off to maintain the set temperature this light will go on and off accordingly.

The door must be closed for the oven to operate in cook mode. Opening the door will cause the heat to stop. The motor and fan will shut off. This is a safety feature.

Fan Speed

The fan speed can be either high (1725RPM) or (1150 RPM). The fan speed is controlled by the left rocker switch marked high and low.

Lights

The oven lights are activated by pressing the light switch on the control panel. This is a momentary switch and the lights will stay lit as long as this button is held in the on position. Lights will work whenever there is electrical power connected to the oven.

Cool Down

Pressing the Cook/Off/Cool Down rocker switch to the Cool Down position activates the fan and motor to cool the oven cavity. The door must be open slightly for the fan and motor to start. The heat is not active in this mode.

Optimal cool down will be achieved with the door open slightly. Opening the door too far will shut the fan and motor off. This is a patented safety feature.

Pressing the button to the OFF position cancels the cool down and turns the oven off.

Temperature

The temperature range is from 150°F to 500°F (66°C to 250°C) is controlled by rotating the temperature dial and aligning the indicator to the desired temperature.



OPERATION Continued

Timer

The timer is set by rotating the dial clockwise aligning the indicator to the desired time cycle. The timer will count down from 2 minutes to 60 minutes. At the end of the timing cycle the buzzer will sound. The buzzer is turned off by rotating the dial counter-clockwise to the off position as shown on the control panel.

NOTE: The timer does not control heating.

Master 450 Electronic Control With Cook-N-Hold And Master 455 Electronic Control With Cook-N-Hold & Core Probe

In Off Mode

When the controller is off, the display will show "OFF". Pressing the ON/OFF key will activate the controller into Start Up mode.

On Start Up

In Start Up mode, the controller will heat to the last set temperature, time and fan speed. The factory defaults are 350°F (177°C), 30 minutes and low fan speed. The display will indicate "LO" when the oven is below the set temperature. When the oven cavity reaches the set temperature and is ready for operation the display will indicate "LOAD".

NOTE: If the oven temperature goes above the requested temperature the display will indicate "HI". If the oven temperature goes above 575°F (302°C) the display will indicate "HELP" and an audible signal will sound. *This is a safety feature.*

If the door is opened during a Cooking mode, the fan and heat will stop, and the display will indicate "DOOR" until the door is closed. *This is a patented safety feature.*

Pressing the **ACTUAL TEMP** key will display the actual oven temperature in 5° increments.

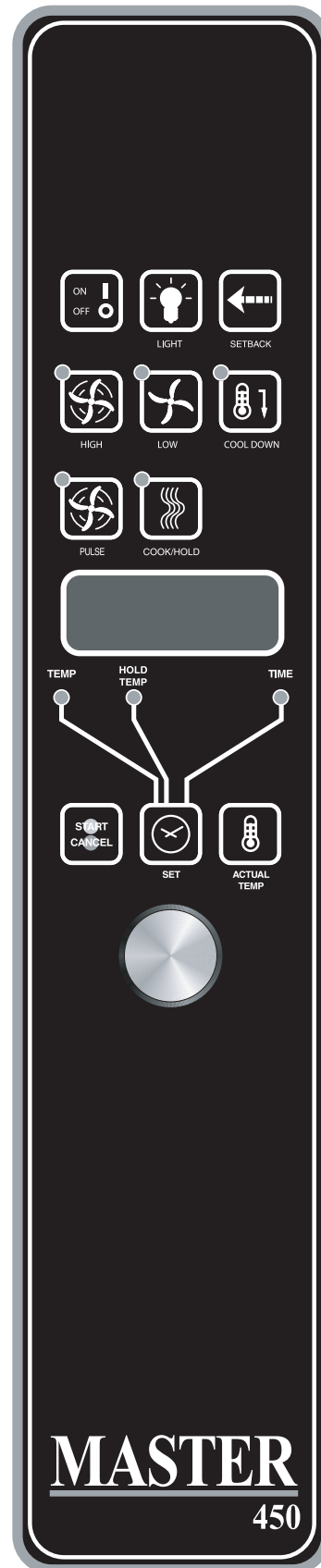
Controller Keys

Pressing the ON/OFF key will activate the oven.

Pressing the LIGHT key will turn the lights on for 30 seconds. The lights will work if the controller is in the Off mode. When the door is opened, the light will come on and stay on for 30 seconds.

Pressing the FAN HIGH key will activate the higher fan speed and light its LED.

Pressing the FAN LOW key will activate the lower fan speed and light its LED.



OPERATION continued

Pressing the **FAN PULSE** key will activate the lower fan speed and light its **LED**. The fan will be active for 30 seconds then off for 30 seconds, and continues this cycle.

Pressing the **SETBACK** key will cool the oven cavity to a preprogrammed temperature, see: Setting "Set-Back" Feature. The oven will automatically go into Setback mode after the pre-programmed non-usage time. The display will indicate "**SETB**". This is an energy-saving feature.

Pressing the **COOL DOWN** key will deactivate the heat, turn the fan on high and light its **LED**. The display will indicate "**OPEN DOOR**" if the door is closed, prompting the user to open the door slightly. With the door open slightly the display will indicate "**COOL**". The Cool Down will operate when the door is closed or opened *slightly*. **Optimal cool-down will be achieved with the door open slightly**. When the door opens wider, the Cool Down mode will deactivate and the display will indicate "**DOOR**". *This is a patented safety feature*. Pressing the **COOL DOWN** key again will turn the **LED** off and stop this mode. Pressing the **ON/OFF** key will also cancel Cool Down. Cool Down is not active during a cook.

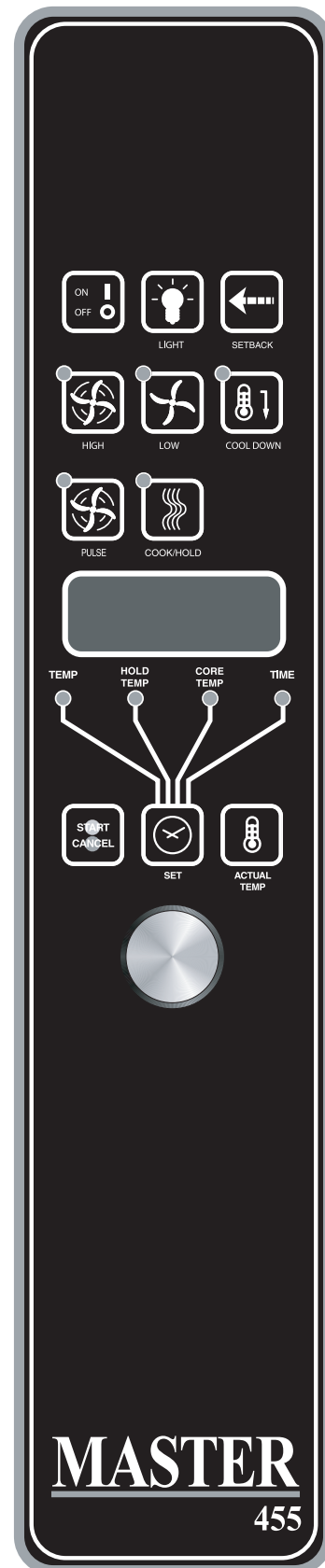
When the **ON/OFF** switch is pressed to turn the oven off and the oven was above 200°F (93°C), the oven will go into an **Auto Cool Down** mode. In Auto Cool Down, the oven will run the fan on high until the oven cavity drops below 150°F (66°C). During this time the display will indicate "**AUTO**". When the oven temperature drops below 150°F (66°C) the oven turns off. *This feature protects the oven motor from premature failure*. **Optimal cool-down will be achieved with the door open slightly**.

Fahrenheit/Celsius

Factory default is Fahrenheit (F). To change to Celsius (C), press and hold in the "Phantom Key" located to the right of "Cook/Hold" key. "F" appears in the display. Continue to hold until "C" is displayed and then release the "Phantom key".

Operating the Controls

Setting the cook temperature and time are done in the same manner. Pressing the **SET** key will light the **TEMP LED**. The operator then sets the temperature by rotating the dial on the controller until the desired temperature is shown on the display. Pressing the **SET** key a second time lights the **TIME LED** and allows the operator to select the desired cook time as shown on the display. Pressing the **SET** key a third time ends the programming.



OPERATION Continued

Pressing the **START/CANCEL** key will start the timing cycle. The display will count down from the Set time in minutes and seconds (solid colon) or hours and minutes (blinking colon) the minutes and seconds. When the cycle is completed, pressing this key will also cancel the "DONE" prompt. To cancel a timing cycle in progress, press and hold the **START/CANCEL** key for 3 seconds.

Cook-N-Hold Operation

Pressing the **COOK/HOLD** (450 and 455 Controllers Only) key activates the Cook-N-Hold mode and lights its LED. To verify the proper hold temperature has been selected, press the **SET** key twice. The display will show the hold temperature. At the end of the cook cycle, an audible alarm will sound, the display will flash "DONE" and change to count "UP" the hold time. The oven will switch to the programmed hold temperature.

Setting the cook temperature, hold temperature and time are done in the same manner. Pressing the **SET** key will light the **TEMP** LED. The operator then sets the temperature by rotating the dial on the controller until the desired temperature is shown on the display. Pressing the **SET** key a second time will light the **HOLD** LED and allows the operator to select the desired hold temperature as shown on the display. Pressing the **SET** key a third time lights the **TIME** LED and allows the operator to select the desired cook time as shown on the display. Pressing the **SET** key a fourth time ends the programming.

Pressing the **START/CANCEL** key will start the timing cycle. When the cycle is completed, pressing this key will also cancel the "DONE" prompt. To cancel a timing cycle in progress press and hold the **START/CANCEL** key for 3 seconds.

Core Probe Operation

The **Core Probe option** (455 Controller Only) is only active when the core probe is plugged into its connector. To set the core temperature, first plug the core probe into its connector. The display will indicate "100" and the **CORE TEMP** LED will be on. The operator then sets the temperature by rotating the dial on the controller until the desired temperature is shown on the display. Pressing the **SET** key stores the core temperature and starts the cooking process.

To set the oven temperature, press the **SET** key again. The **TEMP** LED will light and the oven temperature can be set by rotating the dial on the controller until the desired temperature is displayed. Pressing the **SET** key again will light the **HOLD** LED allowing the operator to set the hold temperature in the same manner.

NOTE: If the hold temperature is not set, the default hold temperature is 150°F (66°C) or the last programmed temperature. (Hold temperature range is 140°F (60°C) to 210°F (99°C).

When the core temperature is reached, the display will sound and flash "DONE" for 3 seconds. Automatically, the display will switch to count "UP" the time the oven is on hold.

Setting Setback Feature

To set or change the setback settings, press and hold the **SETBACK** key for two seconds. The **TEMP** LED will light and a temperature will be displayed. Set the temperature using the dial, then press the **SET** key. The **TEMP** LED will go out and the **TIME** LED will light ("Time" is factory set at 0). Set the time using the dial, then press the **SET** key. Press the **SET** key one more time to exit programming.

Note: To disable the setback function, set the temperature to 250° F (121°C) and the time to zero.

Master 475 Electronic Programmable Control

Manual cooking

1. Press SET key - TEMP LED will light.
2. Set temperature using the dial (factory preset at 350°F).
3. Press SET key - FAN LED will light.
4. Select fan mode using one of the three (3) fan keys (HIGH, LOW, PULSE) - the selected fan LED will light
5. Press SET key - TIME LED will light
6. Set cook time using the dial (factory preset at 30:00).
7. Press SET key - ready to cook.
8. Press START/CANCEL to begin manual cooking.

Manual cooking using Cook-N-Hold

1. Press the COOK/HOLD key, that key's LED will light.
2. Press SET key - TEMP LED will light.
3. Set cook temperature using the dial (factory preset at 350°F)
4. Press SET key - HOLD LED will light.
5. Set hold temperature using the dial (factory preset at 200°F).
6. Press SET key - FAN LED will light.
7. Select fan mode using one of the three (3) fan keys (HIGH, LOW, PULSE) - the selected fan LED will light.
8. Press SET key - TIME LED will light.
9. Set cook time using the dial (factory preset at 30:00).

OPERATION Continued

10. Press SET key - ready to cook

11. Press START/CANCEL to begin manual cooking

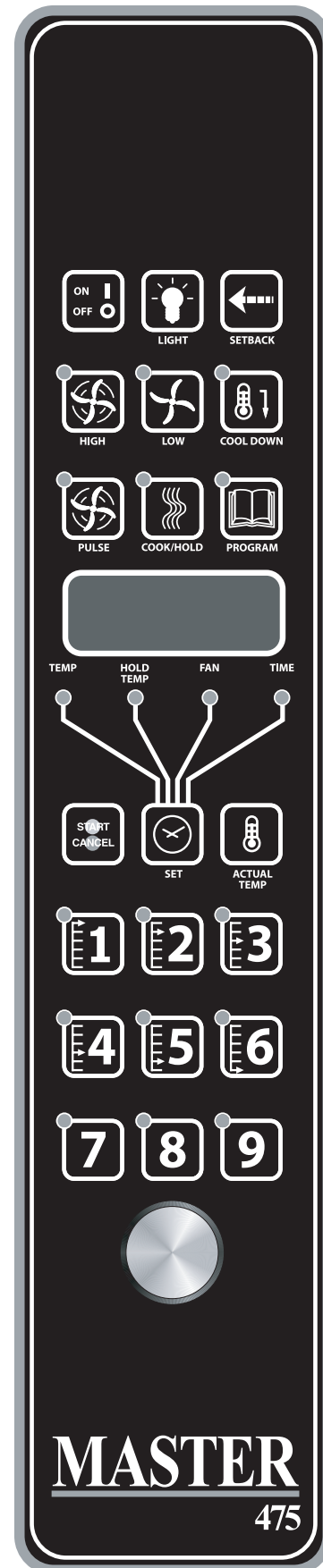
Programming Product Keys (Master 475)

NOTE: Cooking time(s) is the element of the program that tells the controller that other information (temperature, fan speed, etc.) will be inputted into the controller. The first step is to enter all the time periods required, followed by the addition of the other cooking elements.

1. Press and hold PROG key for three (3) seconds - all the product key LEDs light.
2. CODE will be displayed. The controller is asking for the access code. Press 4-2-7-5 and the START/CANCEL key. PROD will be displayed indicating you have gained access to Product Programming.
3. Press the product key (1 - 9) into which you want to store a cooking program. SHLF will be displayed. The control is asking if you want to program the key as a shelf timer or with a cooking profile. Select your answer by pressing the START/CANCEL key. When the correct answer is displayed, press the SET key. The TIME LED will light. 30:00 will be displayed.
4. Set first cook time using dial. If more than one cooking profile is desired:
 - press the product key where the program is to be stored (1 - 9) - PR-2 will be displayed.
 - set the second cook time using the dial (factory presets for PR-2 through PR-5 are :00).
 - press the same product key (1 - 9) again - PR-3 will be displayed.
 - Repeat this process for all profiles. When the last profile time has been entered, press the SET key, OR

If less than five (5) profiles are desired press the SET key after the last required profile - PRE will be displayed, followed by :00. The controller is asking if you would like a reminder alarm (pre-alarm) to sound during the cooking process. (factory preset is :00)

5. If a pre-alarm signal is desired - dial in the time that the alarm is to sound. (Ex. If the product is to be turned halfway through the 60 minute cooking cycle, set the pre-alarm to 30 minutes). If pre-alarm is not desired verify that ":00" is displayed. Press the SET key - TEMP Led will light, and the display will show the first profile cooking temperature. (factory preset at 350°F)
6. Set the first cooking temperature using the dial.



OPERATION Continued

Press the product key - PR-2 will be displayed followed by the second temperature.

Set the second cooking time using the dial.

Repeat as you did for cooking time, for all the profiles desired.

NOTE: The controller will only accept cooking temperatures for the number of profiles for which a cooking time has been set. If the product key is pressed after the last programmed profile, the first temperature will be displayed.

Press SET after the last cooking temperatures has been entered, HOLD will be displayed.

7. Use the START/CANCEL key to select yes or no. Press the SET key.
8. If yes was selected, the HOLD LED will light. Enter the hold temperature using the dial. (factory preset at 200°F) Press the SET key. FAN will be displayed and the FAN LED will light.
 - Set the fan speed desired for the first cooking profile using the individual fan keys (HIGH, LOW or PULSE), press the product key and set the fan speed for the second cooking profile. Continue until all the profiles have been assigned a fan speed. Press the SET key when complete. As with the temperature, if the product key is pressed after the last programmed profile, the first fan speed will be displayed.
9. FL or St will be displayed (for flex time or straight time) (factory preset for flex time). Select flex or straight time using the START/CANCEL key for the first profile. Press the product key and select straight time or flex time for the second profile. Continue until all the profiles have been assigned straight or flex time. Press the SET key when complete. If the product key is pressed after the last programmed profile, the first profile will be displayed.
10. Programming for that product key is complete.

Cooking using the product keys (Master 475)

1. On initial start-up, press the product key for the menu item to be cooked. Wait until LOAD is displayed.
2. Load the oven.
3. Press the product key for the loaded menu item.
4. Press the START/CANCEL key.
5. To cancel the alarm or the hold, press the START/CANCEL key followed by the product key.

Verifying hold time (Master 475):

While a product is being held, press and hold the product key. The actual hold time will be displayed.

Selecting Fahrenheit or Celsius (Master 475):

Press PROG and ACTUAL TEMP keys at the same time, F or C will be displayed. (factory preset for F)

Press the START/CANCEL key to switch between F and C.

When the desired setting is displayed press the PROG and ACTUAL TEMP keys at the same time.

Cooking with the Shelf Timer (Master 475)

The shelf timer option is used to independently time each of the up to six different shelves or racks within the oven.

NOTE: To use the shelf timer option, at least one product key must be programmed with a cooking profile (temperature, time, fan speed, flex or straight time). The program key must be limited to a single cooking profile to be used with the shelf timing option. If more than one product key is to be used, all product keys to be used must feature the same cooking temperature and fan speed. Flex or straight time and cooking time can be different. The Cook-N-Hold option can not be used with the shelf timer operation.

Pressing the desired product key will bring the oven to the desired cooking temperature, once the oven has reached the proper cooking temperature as indicated by LOAD in the display,

1. Press the shelf key for the shelf location to be timed (1 - 6).
NOTE: product keys and shelf keys are the same keys.
2. Press the START/CANCEL key to begin the cooking/timing process.
3. When the cooking/timing process is complete for each shelf, an audible "done" signal will sound and the display will indicate which shelf is finished. Example: SH-1
4. To turn off the alarm press the product key with the flashing LED.

Example: Two product profiles contain the same cooking temperature, fan speed and are both programmed for flex time - keys 1 and 6.

OPERATION Continued

Two trays of product are going to be cooked in the oven at the same time. The first tray will use product key 1 and will be placed in rack position 2. The second tray will use product key 6 and will be placed in rack position 4. Once the oven display indicates LOAD:

1. Load food product into oven on shelf 2.
2. Press product key 1, then shelf key 2.
3. Press the START/CANCEL key to start cooking on shelf 2.
4. Load food product into oven on shelf 4
5. Press product key 6, then shelf key 4.
6. Press the START/CANCEL key to start cooking on shelf 4.
7. When product on shelf 2 is finished cooking, an audible alarm will sound and the display will flash DONE, then SH-2, and the product key 1 LED will be flashing.
8. To turn off the alarm, press product key 1.
9. When product on shelf 4 is finished cooking, an audible alarm will sound and the display will flash DONE, then SH-4, and the product key 6 LED will be flashing.
10. To turn off the alarm, press product key 6.

PERFORMANCE RECOMMENDATIONS

1. Preheat oven thoroughly (approx. 20 minutes) before use.
 2. As a general rule, temperature should be reduced 25° to 50° from that used in a standard/conventional oven. Cooking time may also be shorter, so we suggest closely checking the first batch of each product prepared.
 3. Use the chart of suggested times and temperatures as a guide. These will vary depending upon such factors as size of load, temperature, and mixture of product (particularly moisture) and density of product.
 4. Keep a record of the times, temperature, and load sizes you establish for various products. Once you have determined these, they will be similar for succeeding loads.
 5. When practical, start cooking the lowest temperature product first and gradually work up to higher temperatures.
 6. If you find that your previous temperature setting is more than 10° higher than needed for succeeding loads, COOL DOWN to reach the desired temperature before setting a new cooking temperature.
 7. When loading oven, work as quickly as possible to prevent loss of heat.
 8. Oven will continue to heat even though the timer goes off. Product should be removed from the oven as soon as possible to avoid over cooking.
 9. Center pans on racks and load each shelf evenly to allow for proper air circulation within the cavity.
 10. When baking, weigh or measure the product in each pan to assure even cooking.
 11. When cooking six pans, use rack positions 2, 4, 6, 8, 10 and 12, starting from the top.
 12. Do not overload the oven. Six pans are suggested for most items, i.e., cakes, cookies, rolls, etc. However, the maximum (13 pans) may be used for fish sticks, chicken nuggets and hamburgers. Cooking times will have to be adjusted.
 13. Muffin pans should be placed in the oven back to front or with the short side of the pans facing the front. This results in the most evenly baked product.
 14. When re-thermalizing frozen casseroles, preheat the oven 100° over the suggested temperature. Return to cooking temperature when the oven is loaded. This will help compensate for the introduction of a large frozen mass into the cavity.
 15. Use pan extenders or two inch deep 18"x26" pans for batter type products which weigh more than eight pounds, i.e., Pineapple Upside Down Cake.
 16. Never place anything directly on the bottom of the oven cavity. This obstructs the airflow and will cause uneven results.
- NOTE: Moisture will escape around the doors when baking products with heavy moisture content, such as: chicken, potatoes, etc. This is normal.

COOKING GUIDE

The following suggested times and temperatures are provided as a starting guide. Elevation, atmospheric conditions, gas supply, recipe, cooking pans, and oven loading may affect your actual results.

Product	°F	Time
White Sheet Cakes – 5 lb	300°	20 min
White Sheet Cakes – 6 lb	300°	22 min
Yellow Layer Cake – 21 oz	325°	15 min
Yellow Sheet Cake – 5 lb	300°	22 min
Chocolate Layer Cake – 21 oz	300°	22 min
Angel Food Cake	375°	22 min
Brownies	350°	15 min

Product	°F	Time
Chicken Parts	350°	45 min
Hamburger Patties, 10/lb fzn	350°	8 min
Hamburger Patties, 10/lb fresh	350°	5 min
Hamburger Patties, 4/lb fzn	350°	12 min
Hamburger Patties, 4/lb fresh	350°	8 min
Meatloaf – 4#	325°	45 min
Bacon	350°	10 min
Roast Beef - 20#	325°	3 hr 15 min
Prime Rib - 10#	300°	1 hr 45 min
Stuffed Pork Chops	350°	45 min
Lamb Chops	375°	40 min
Boneless Veal Roast	300°	3 Hr

Product	°F	Time

Product	°F	Time
Soda Biscuits	400°	6 min
Yeast Rolls	325°	24 min
Sweet Bread	325°	24 min
Corn Bread	350°	22 min
Gingerbread	300°	24 min
Apple Turnovers	350°	25 min
Cream Puffs	300°	25 min
Sugar Cookies	325°	12 min
Chocolate Chip Cookies	375°	8 min
Apple Pie (Fresh)	375°	25 min
Blueberry Pie (Fresh)	350°	30 min
Blueberry Pie (Frozen)	300°	56 min
Pumpkin Pie (Frozen)	300°	50 min
Frozen Pizza	300°	6 min
Macaroni & Cheese	350°	15 min
Fish Sticks	350°	16 min
Stuffed Peppers	350°	45 min
Baked Potatoes	350°	60 min

Product	°F	Time

COOK AND HOLD

Please refer to the operating instructions to program the 450 and 455 control units for cook and hold feature. The times and temperatures listed below are to be used as a starting guide. Your actual results may vary greatly depending on your elevation, gas supply, atmospheric conditions and other items being cooked at the same time.

Weight in lbs	Time in Hours					
	Temperature: 200°F		Temperature: 250°F		Temperature: 300°F	
	Rare	Medium	Rare	Medium	Rare	Medium
8	2.5	3.5	1.5	2	1.25	1.5
9	2.75	3.75	1.75	2.25	1.25	1.75
10	3	4.25	2	2.5	1.5	1.75
11	3.25	4.5	2	2.75	1.5	1.75
12	3.5	5	2.25	3	1.5	2
13	3.75	5	2.5	3.25	1.5	2.25
14	4	5.75	2.5	3.5	1.75	2.5
15	4.25	6	2.75	3.5	2	2.5
16	4.5	6.25	2.75	3.75	2	2.75
17	4.75	6.5	3	4	2.25	2.75
18	4.75	6.75	3.25	4.25	2.25	3
19	5	7.25	3.25	4.25	2.25	3
20	5.25	7.5	3.5	4.5	2.5	3.25
21	5.5	7.75	3.5	4.75	2.75	3.5
22	5.75	7.75	3.5	4.75	2.75	3.5
23	6	8.25	3.75	5	2.75	3.75
24	6	8.75	3.75	5	2.75	3.75
25	6.25	9	4.25	5.5	3	4
26	6.5	9.25	4.25	5.5	3.25	4.25
27	6.75	9.5	4.25	5.75	3.25	4.25
28	7	9.75	4.5	6	3.25	4.25
29	7.25	10	4.75	6.25	3.5	4.5
30	7.25	10.25	4.75	6.25	3.5	4.5

PROBLEMS / SOLUTIONS

Problem	Solution
If cakes are dark on the sides and not done in the center	Lower oven temperature.
If cakes edges are too brown	Reduce number of pans or lower oven temperature.
If cakes have light outer color	Raise temperature.
If cake settles slightly in the center	Bake longer or raise oven temperature slightly. Do not open doors too often or for long periods.
If cake ripples	Overloading pans or batter is too thin.
If cakes are too coarse	Lower oven temperature.
If pies have uneven color	Reduce number of pies per rack or eliminate use of bake pans.
If cupcakes crack on top	Lower oven temperature.
If meats are browned and not done in center	Lower temperature and roast longer.
If meats are well done and browned	Reduce time. Limit amount of moisture.
If meats develop hard crust	Reduce temperature or place pan of water in oven.
If rolls have uneven color	Reduce number or size of pans.

CLEANING & MAINTENANCE

NOTE: Disconnect line cord from power supply before cleaning or servicing.

Break-In Period

When oven is new, operate it for one hour at 375°F (191°C) before you begin your normal cooking operation. After cooling, wipe the interior, including the racks, with a clean damp cloth.

Exterior Cleaning

Establish a regular schedule. Any spills should be wiped off immediately.

1. The oven should always be allowed to cool sufficiently before any cleaning is attempted.
2. Wipe exposed, cleanable surface when cool with a mild detergent and hot water. Stubborn residue spots may be removed with a lightweight non-metallic scouring pad. Dry thoroughly with a clean cloth.
3. Stubborn stains may be removed by using a non-metallic abrasive pad, rubbing in the direction of the metal's grain. If necessary, for particularly heavy deposits, you may mix a thin paste of water and scouring powder, and apply it with a sponge. Be careful to apply light pressure and remember to rub only in the direction of the grain in the metal.
4. The control panel surface is easily cleaned with hot water, soap and a soft cloth. Do not use hard abrasives, solvent type materials or metallic scouring pads since these will scratch or cloud the surface.
5. Never spray the perforated areas or control panel with steam or water, as this will allow moisture into the control cavity, which could damage electrical components.

Interior Cleaning

Establish a regular cleaning schedule or wipe off on the same day when spillovers occur.

1. Cool down oven.
2. Remove oven racks.
3. Lift rack guides on either side of oven off of holders. Racks and guides may be run through dishwasher while oven cavity is being cleaned.
4. Clean with soap and water using a non-metallic scouring pad, if necessary. If dirt and grease have accumulated, a mild ammonia solution or commercial oven cleaner such as Easy-Off or Dow may be used.
5. To reinstall, reverse procedure. Place the bottom of the rack guide against the cavity wall. Keeping the top pulled away from the wall lift up. Push the top of the rack guide against the wall and push down locking it into place.

Fan Area Maintenance

If aluminum foil is routinely used to wrap food or cooking vessels during oven operation, the following preventive maintenance must be performed:

1. Turn power switch to "OFF" position.
2. Remove oven racks and rack guides.
3. Remove air baffle and clean any stains or deposits.
4. Check blower wheel and air baffle for particles of aluminum foil or food deposits. Clean fins of blower wheel. (Caution: edges of blower wheel fins may be sharp).
5. Reinstall the air baffle, rack guides and oven racks.

This simple practice, if performed on a regular basis will keep your Garland oven operating at peak performance.

MOTOR CARE

The motor on your convection oven is maintenance free since it is constructed with self-lubricating sealed ball bearings. It is designed to provide durable service when treated with ordinary care. We have a few suggestions to follow on the care of your motor. When the motor is operating, it cools itself internally by air entering at the rear of the motor case, provided proper clearance has been allowed.

Since the blower wheel is in the oven cavity it is at the same temperature as the oven. If the motor is stopped while the oven is hot, the heat from the blower wheel is conducted down the shaft and into the armature of the motor. This action could shorten the life of the motor.

We recommend, at the end of the bake or roasting period, when the oven will be idle for any period of time, or before shutting down completely, that the doors be left open slightly. On the 400 series controllers press the COOL DOWN key on the control panel. The fan will continue to run until the oven cools down to 150°F (66°C).

At the end of the day, press the ON/OFF key, for the 400 series controllers to activate the Auto Cool Down feature. The fan will run on high until the oven cavity drops below 150°F (66°C). During this time the "AUTO COOL DOWN" LED will light. When the oven temperature drops below 150°F (66°C) the oven turns off. This feature protects the oven motor from pre-mature failure. On the 200 series controllers, push the rocker switch to COOL position. Once cool set the rocker switch to OFF.

NOTE: Optimal cool-down will be achieved with the door open slightly.

 **Garland**[®]

Garland[®]

Le moteur de ce four à convection est sans entretien étant donné qu'il est fabriqué avec des roulements à billes autolubrifiants étanches. Il est conçu pour offrir un service durable avec un entretien normal. Nous offrons ci-dessous quelques suggestions à suivre en ce qui concerne le moteur. Lors du fonctionnement du moteur, il se refroidit automatiquement par l'air pénétrant dans la partie arrière de son carter, à condition qu'un dégagement suffisant existe à l'arrière de l'appareil.

Étant donné que le ventilateur se trouve dans le four, il est à la même température que celui-ci. Si le moteur est arrêté pendant que le four est chaud, la chaleur du ventilateur est transmise à l'arbre et à l'induit du moteur. Ceci peut raccourcir la durée de vie du moteur.

Nous recommandons, à la fin de la période de cuisson ou de rôtissage, quand le four est au ralenti pour n'importe quelle période de temps ou avant de l'arrêter complètement, de laisser les portes entrouvertes. Sur les contrôleurs série 400, appuyer sur la touche **COOL DOWN** du tableau de commande. Le ventilateur continuera de fonctionner jusqu'à ce que la température du four descende à 150°F (66°C).

À la fin de la journée, appuyer sur la touche **ON/OFF**, pour les contrôleurs série 400, pour activer la fonction de refroidissement automatique. Le ventilateur tournera à grande vitesse jusqu'à ce que la température à l'intérieur du four soit inférieure à 150°F (66°C). Pendant ce temps, la DEL « **AUTO COOL DOWN** » restera allumée. Une fois que la température du four est descendue au-dessous de 150°F (66°C), le four s'éteint. Cette fonction protège le moteur du four d'une usure prématurée. Sur les contrôleurs série 200, pousser le commutateur à bascule en position **COOL**. Une fois le four refroidi, régler le commutateur à bascule sur **OFF**.

NOTA : Le refroidissement optimal est obtenu avec la porte du four entrouverte.

REMARQUE : Débrancher le cordon électrique de la source d'alimentation avant le nettoyage ou l'entretien.

Période de rodage

Quand le four est neuf, le faire fonctionner pendant une heure à 375°F (191°C) avant de commencer toute opération normale de cuisson. Après refroidissement, essuyer l'intérieur, y compris les grilles, avec un chiffon propre et humide.

Nettoyage extérieur

Établir un calendrier de nettoyage régulier. Tout déversement doit être essuyé immédiatement.

1. Il est indispensable de laisser suffisamment refroidir le four avant toute opération de nettoyage.

2. Essuyer à froid les surfaces exposées et nettoyables avec un chiffon humecté d'une solution savonneuse non abrasive et de eau chaude. Les tâches rebelles peuvent être retirées à l'aide d'un tampon à récureur non-métallique.

Bien essuyer avec un chiffon propre.

3. Les tâches rebelles peuvent être retirées à l'aide d'un tampon de récureur non-métallique utilisé dans le sens du grain du métal. Si nécessaire, en cas de salissures importantes, mélanger en pâte fine un peu d'eau et de la poudre de récureur et l'appliquer à l'aide d'une éponge. Ne pas appliquer de fortes pressions et toujours travailler dans le sens du grain du métal.

4. La surface du panneau de commande se nettoie facilement avec de l'eau chaude, du savon et un chiffon doux. Ne pas utiliser de produits abrasifs durs, de solvants ni de tampons à récureur métalliques qui peuvent ternir ou rayer la surface.

5. Ne jamais aspéger les parties perforées ou le panneau de commande avec de la vapeur ou de l'eau, car cela fera pénétrer de l'humidité dans la cavité des commandes et pourrait endommager les composants électriques.

Nettoyage intérieur

Établir un calendrier de nettoyage régulier ou essuyer le jour même tout déversement.

1. Refroidir le four.

2. Retirer les grilles du four.

3. Soulever de leurs supports les guides de grilles d'un côté du four, soulever la partie supérieure de la paroi du four, passer les clips, pousser vers le bas et retirer. Les grilles et les guides peuvent passer dans le lave-vaisselle pendant le nettoyage de l'intérieur du four.

4. Nettoyer à l'eau et au savon doux en utilisant un tampon à récureur non-métallique si nécessaire. En cas d'accumulation de saleté et de graisse, on peut utiliser une solution peu concentrée d'ammoniac ou un produit de nettoyage pour fours du commerce comme Easy-Off ou Dow.

5. Pour le remontage, inverser la procédure. Placer le bas du guide de grille contre la paroi du four. En maintenant la partie supérieure éloignée de la paroi, soulever. Pousser le haut du guide contre la paroi et pousser vers le bas pour le bloquer en place.

Maintenance de la zone du ventilateur

Si on utilise habituellement du papier aluminium pour envelopper les aliments ou les récipients de cuisson dans le four, il est nécessaire d'effectuer l'entretien préventif suivante:

1. Mettre l'interrupteur d'alimentation en position « OFF ».

2. Retirer les crémaillères et les guides des crémaillères du four.

3. Retirer le déflecteur d'air et nettoyer toutes les taches ou dépôts.

4. Vérifier la présence de particules d'aliments ou d'aluminium sur le ventilateur et le déflecteur. Nettoyer les ailettes du ventilateur. (Attention : les bords des ailettes peuvent être coupants).

5. Remettre en place le déflecteur, les guides de crémaillères et les crémaillères dans le four.

Cette pratique simple si elle est réalisée régulièrement, maintiendra votre four Garland dans un état de fonctionnement impeccable.

PROBLÈMES/SOLUTIONS

Problème	Solution
Si le gâteau est doré sur les côtés et n'est pas cuit au centre	Abaisser la température du four.
Si les bords du gâteau sont brûlés	Réduire le nombre de plats ou la température du four.
Si la couleur du gâteau est pâle	Augmenter la température.
Si le gâteau s'affaisse légèrement au centre	Prolonger le temps de cuisson ou augmenter légèrement la température du four. Ne pas ouvrir les portes souvent ni pendant de longues périodes de temps.
Si le gâteau comporte des rides	Surcharge des plats ou pâte trop fine
Si le gâteau est trop dur	Abaisser la température du four.
Si les tartes sont de couleur inégale	Réduire le nombre de tartes par grille ou éliminer les moules de cuisson.
Si les petits gâteaux se fendent sur le dessus	Abaisser la température du four.
Si les viandes sont dorées mais pas cuites au centre	Abaisser la température du four et prolonger le temps de cuisson.
Si les viandes sont bien cuites et roussies	Réduire le temps de cuisson. Limiter la quantité d'humidité.
Si les viandes ont une croûte dure	Réduire la température ou placer un plat avec de l'eau dans le four.
Si les pains mollets sont de couleur inégale	Réduire le nombre ou la taille des moules.

CUISSON ET MAINTIEN AU CHAUD

Temps en heures						
Poids en lb	Température: 200°F		Température: 250°F		Température: 300°F	
	Saignant	À point	Saignant	À point	Saignant	À point
8	2.5	3.5	1.5	2	1.25	1.5
9	2.75	3.75	1.75	2.25	1.25	1.75
10	3	4.25	2	2.5	1.5	1.75
11	3.25	4.5	2	2.75	1.5	1.75
12	3.5	5	2.25	3	1.5	2
13	3.75	5	2.5	3.25	1.5	2.25
14	4	5.75	2.5	3.5	1.75	2.5
15	4.25	6	2.75	3.5	2	2.5
16	4.5	6.25	2.75	3.75	2	2.75
17	4.75	6.5	3	4	2.25	2.75
18	4.75	6.75	3.25	4.25	2.25	3
19	5	7.25	3.25	4.25	2.25	3
20	5.25	7.5	3.5	4.5	2.5	3.25
21	5.5	7.75	3.5	4.75	2.75	3.5
22	5.75	7.75	3.5	4.75	2.75	3.5
23	6	8.25	3.75	5	2.75	3.75
24	6	8.75	3.75	5	2.75	3.75
25	6.25	9	4.25	5.5	3	4
26	6.5	9.25	4.25	5.5	3.25	4.25
27	6.75	9.5	4.25	5.75	3.25	4.25
28	7	9.75	4.5	6	3.25	4.25
29	7.25	10	4.75	6.25	3.5	4.5
30	7.25	10.25	4.75	6.25	3.5	4.5

RECOMMANDATIONS D'UTILISATION

1. Bien préchauffer le four (environ 20 minutes) avant son utilisation.
 2. D'une façon générale, réduire la température de 25° à 50° par rapport à celle d'un four conventionnel/standard. Le temps de cuisson peut également être plus court et pour cette raison nous recommandons de surveiller attentivement la première cuisson de chaque type de produits.
 3. Utiliser le tableau des temps et des températures de cuisson suggérées comme guide. Ces valeurs peuvent varier en fonction de la quantité d'aliments placés dans le four, de la température et du mélange de produits, (en particulier de l'humidité) et de la densité des produits.
 4. Noter les temps de cuisson, les températures et les quantités d'aliment pour les différents produits. Une fois ces renseignements notés, les autres opérations de cuisson seront similaires.
 5. Si possible, commencer par cuire les produits ayant la température de cuisson la plus basse et passer progressivement aux températures plus élevées.
 6. Si le réglage de température précédent est plus élevé de 10° à la température nécessaire pour les charges suivantes, utiliser le mode de refroidissement pour atteindre la température souhaitée avant de régler à nouveau le thermostat.
 7. Pour charger le four, travailler aussi vite que possible pour éviter les pertes de chaleur.
 8. Le four continue à chauffer même après l'arrêt de la minuterie. Les aliments doivent être retirés du four aussi vite que possible pour éviter de trop les faire cuire.
 9. Centrer les plats dans le four et les répartir également sur les grilles pour permettre une bonne circulation de l'air à l'intérieur du four.
 10. Pour la pâtisserie, peser ou mesurer les produits dans chaque moule pour assurer une cuisson régulière.
11. Pour la cuisson de 6 plats, utiliser les positions de grilles 2, 4, 6, 8, 10 et 12, en commençant par le haut.
12. Ne pas surcharger le four. Dans la plupart des cas, on recommande d'utiliser 6 plats (gâteaux, biscuits, pains mollets, etc.). Cependant, il est possible d'utiliser un maximum de 13 plats pour la cuisson des bâtonnets de poisson, des pépites de poulet et des hamburgers. Il faudra probablement ajuster les temps de cuisson.
13. Les moules à muffins doivent être placés dans le four avec l'arrière vers la porte ou avec le côté court du moule face à l'avant. Cela permet d'obtenir une cuisson plus uniforme.
14. Pour le réchauffage des plats en cocotte congelés, préchauffer le four à 100° de plus que la température suggérée. Revenir ensuite à la température de cuisson suggérée après le chargement du four. Cela permet de compenser la chute de température provoquée par l'introduction d'une grande quantité d'aliments froids dans le four.
15. Utiliser des rehausseuses de moules ou des moules de 18 x26 po d'une profondeur de deux pouces pour la cuisson des aliments enrobés de pâte dont le poids dépasse huit livres, par exemple le gâteau renversé aux ananas.
16. Ne jamais placer quoi que se soit directement sur le fond du four. Cela empêche la circulation de l'air et cause une cuisson inégale.
- REMARQUE: Une certaine quantité d'humidité s'échappera autour des portes du four lors de la cuisson d'aliments à forte teneur en humidité comme le poulet, les pommes de terre etc. Cela est normal.

Verification du temps de maintien au chaud (Master 475)

Pendant que le produit est en mode de maintien au chaud, maintenez enfoncée la touche produit. Le temps de maintien au chaud s'affiche :

Sélection de l'affichage en degrés Fahrenheit ou Celsius (Master 475 et Master 470):

Appuyez sur les touches PROG et ACTUAL TEMP en même temps. La lettre F ou C s'affiche. (préglé en usine sur F).

Appuyez sur la touche START/CANCEL pour passer de F à C et de C à F.

Lorsque l'unité de mesure désirée est affichée, appuyez sur les touches PROG et ACTUAL TEMP en même temps.

Cuisson avec la minuterie de niveau

(Master 475):

L'option de minuterie de niveau est utilisée pour minuter indépendamment chacun des 6 niveaux ou grilles différents à l'intérieur du four.

REMARQUE: Pour utiliser l'option de minuterie de niveau, au

moins une touche produit doit être programmée avec un profil de cuisson (température, temps, vitesse du ventilateur, temps flexible ou fixe). La touche de programme doit être limitée à un seul profil de cuisson à utiliser avec l'option de minuterie de niveau. S'il faut utiliser plus d'une touche produit, toutes les touches produit à utiliser doivent présenter la même température de cuisson et la même vitesse du ventilateur. Le temps flexible ou fixe et le temps de cuisson peuvent être différents. L'option Cook-N-Hold ne peut pas être utilisée avec l'option de minuterie de niveau.

Le fait d'appuyer sur la touche produit désirée amènera le four à la température de cuisson souhaitée. Une fois que le four a atteint la bonne température de cuisson, ce qui est

indiqué par le mot LOAD sur l'affichage :

1. Appuyez sur la touche de niveau pour indiquer l'emplacement du niveau à minuter (1 - 6). REMARQUE: les touches produit et les touches niveau sont les mêmes.

2. Appuyez sur la touche START/CANCEL pour commencer le processus de cuisson/minuterie.

3. Lorsque le processus de cuisson/minuterie est terminé pour chaque niveau, un signal sonore de fin de cuisson se fait entendre et l'affichage indique quel est le niveau où la cuisson est terminée. P. ex. : SH-1
4. Pour arrêter l'alarme, appuyez sur la touche produit donc la DEL clignote.
 - Exemple: Deux profils produit contiennent la même température de cuisson, la même vitesse du ventilateur et sont tous les deux programmés sur temps flexible - touches 1 et 6.
 - Deux plateaux contenant des aliments vont cuire dans le four en même temps. Le premier plateau utilisera la touche produit 1 et sera placé dans la position de grille 2. Le second plateau utilisera la touche produit 6 et sera placé dans la position de grille 4. Une fois que le four affiche le mot LOAD.
1. Chargez les aliments dans le four sur le niveau 2.
2. Appuyez sur la touche produit 1, ensuite sur la touche niveau 2.
3. Appuyez sur la touche START/CANCEL pour démarrer la cuisson du niveau 2.
4. Chargez les aliments dans le four sur le niveau 4
5. Appuyez sur la touche produit 6, ensuite que la touche de niveau 4.
6. Appuyez sur la touche START/CANCEL pour démarrer la cuisson sur le niveau 4.
7. Lorsque les aliments du niveau 2 sont cuits, une alarme se fait entendre et l'affichage indique en clignotant DONE, ensuite SH-2, alors que la DEL de la touche produit 1 clignote.
8. Pour arrêter l'alarme, appuyez sur la touche produit 1.
9. Lorsque les aliments du niveau 4 sont cuits, une alarme se fait entendre et l'affichage indique en clignotant DONE, ensuite SH-4, alors que la DEL de la touche produit 6 clignote.
10. Pour arrêter l'alarme, appuyez sur la touche produit 6.

Programmation des touches produit (Master 475)

REMARQUE: Le temps de cuisson est l'élément du programme qui dit au contrôleur que d'autres informations (température, vitesse du ventilateur, etc.) vont être entrées dans le contrôleur. La première étape consiste à entrer toutes les périodes de temps nécessaires, suivies par les autres éléments de cuisson.

1. Appuyez sur la touche PROG et maintenez-la enfoncée pendant trois (3) secondes - tous les DEL des touches produits s'allument.

2. Le mot CODE s'affiche. Le contrôleur demande le code d'accès. Appuyez sur les touches 4-2-7-5 et la touche START/CANCEL. Le mot PROD s'affiche pour indiquer qu'il est possible d'accéder à la programmation des produits.

3. Appuyez sur la touche de produit (1 - 9) où vous

souhaitez sauvegarder un programme de cuisson. Le mot SHLF s'affiche. Le contrôle demande si vous souhaitez programmer la touche en tant que minuteur de niveau ou en tant que profil de cuisson. Sélectionnez votre réponse en appuyant sur la touche START/CANCEL. Lorsque la réponse correcte est affichée, appuyez sur la touche SET. La DEL TIME s'allume et 30:00 s'affiche.

4. Réglez le premier temps de cuisson avec le cadran. S'il est nécessaire d'entrer plusieurs profils de cuisson :

- Appuyez sur la touche produit où le programme doit être sauvegardé (1 - 9) - L'indication PR-2 s'affiche.
- Réglez le second temps de cuisson avec le cadran (les pré réglages en usine pour PR-2 à PR-5 sont :00)
- Appuyez de nouveau sur la même touche produit (1 - 9) - l'indication PR-3 s'affiche.
- Recommencez de la même façon pour tous les profils. Lorsque le dernier temps de profil est entré, appuyez sur la touche SET OU :

Si vous désirez moins de cinq (5) profils - appuyez sur la touche SET après le dernier profil requis. L'indication PRE s'affiche, suivie du chiffre :00. Le contrôleur demande si vous souhaitez obtenir l'alarme de rappel (préalarme) sonore pendant le processus de cuisson (préréglé en usine sur :00).

5. Si vous désirez le signal de préalarme, programmez à l'aide du cadran le temps au bout duquel l'alarme doit sonner. (P. ex. Si le produit doit être retourné à la moitié du cycle de cuisson de 60 minutes, réglez la préalarme sur 30 minutes). Si vous ne désirez pas de préalarme, assurez-vous que « :00 » est affiché. Appuyez sur la touche SET - la DEL TEMP s'allume et l'affichage indique la température de cuisson du premier profil (préréglé en usine sur 350°F).

6. Réglez la première température de cuisson à l'aide du cadran.

- Appuyez sur la touche produit - l'indication PR-2 s'affiche suivie de la deuxième température
- réglez le deuxième temps de cuisson à l'aide du cadran
- répétez de la même manière que pour le temps de cuisson, pour tous les profils désirés.

REMARQUE: Le contrôleur acceptera uniquement les

températures de cuisson pour les profils pour lesquels un temps de cuisson a été réglé. Si l'on appuie sur la touche produit après le dernier profil programmé, l'appareil affichera la première température.

• Appuyez sur la touche SET après la saisie des dernières températures de cuisson, le mot HOLD s'affiche.

7. Utilisez la touche START/CANCEL pour sélectionner yes ou no. Appuyez sur la touche SET.

8. Si yes a été sélectionné, la DEL HOLD s'allume. Entrez la température de maintien au chaud avec le cadran (préréglé en usine sur 200°F). Appuyez sur la touche SET. Le mot FAN s'affiche et la DEL FAN s'allume.

• Réglez la vitesse du ventilateur désirée pour

le premier profil de cuisson avec les touches individuelles du ventilateur (HIGH, LOW ou PULSE), appuyez sur la touche produit et réglez la vitesse du ventilateur pour le deuxième profil de cuisson. Continuez jusqu'à ce que tous les profils possèdent leur vitesse du ventilateur. Appuyez sur la touche SET lorsque cette opération est terminée. Comme c'était le cas avec la température, si l'on appuie sur la touche produit après le dernier profil programmé, la première vitesse de ventilateur sera affichée.

9. L'indication FL or St sera affichée (pour temps flexible ou temps fixe) (préréglée en usine sur temps flexible). Sélectionnez le temps flexible ou fixe à l'aide de la touche START/CANCEL pour le premier profil. Appuyez sur la touche produit et sélectionnez le temps fixe ou le temps flexible pour le deuxième profil. Continuez pour tous les profils. Appuyez sur la touche SET lorsque l'opération est terminée. Si l'on appuie sur la touche produit après le dernier profil programmé, l'appareil affichera le premier profil.

10. La programmation de cette touche produit est terminée.

Commande Electronique Programmable De La Série Master 475

Cuisson manuelle

1. Appuyez sur la touche SET - la DEL TEMP s'allume.
2. Réglez la température à l'aide du cadran (préreglé en usine sur 350°F).
3. Appuyez sur la touche SET - la DEL FAN s'allume.

4. Sélectionnez le mode de fonctionnement du ventilateur en utilisant une des trois touches du ventilateur (HIGH, LOW, PULSE) - la DEL du mode sélectionné du ventilateur s'allume.
5. Appuyez sur la touche SET - la DEL TIME s'allume.

6. Réglez le temps de cuisson à l'aide du cadran (préreglé en usine sur 30:00).
7. Appuyez sur la touche SET - prêt à cuire.
8. Appuyez sur la touche START/CANCEL pour démarrer la cuisson manuelle.

Cuisson manuelle à l'aide de la fonction Cook-N-Hold (cuisson-attente)

1. Appuyez sur la touche COOK/HOLD, la DEL de cette touche s'allume.
2. Appuyez sur la touche SET - la DEL TEMP s'allume

3. Réglez la température de cuisson à l'aide du cadran (préreglé en usine sur 350°F).

4. Appuyez sur la touche SET - la DEL HOLD s'allume
5. Réglez la température du maintien au chaud à l'aide du cadran (préreglé en usine sur 200°F).

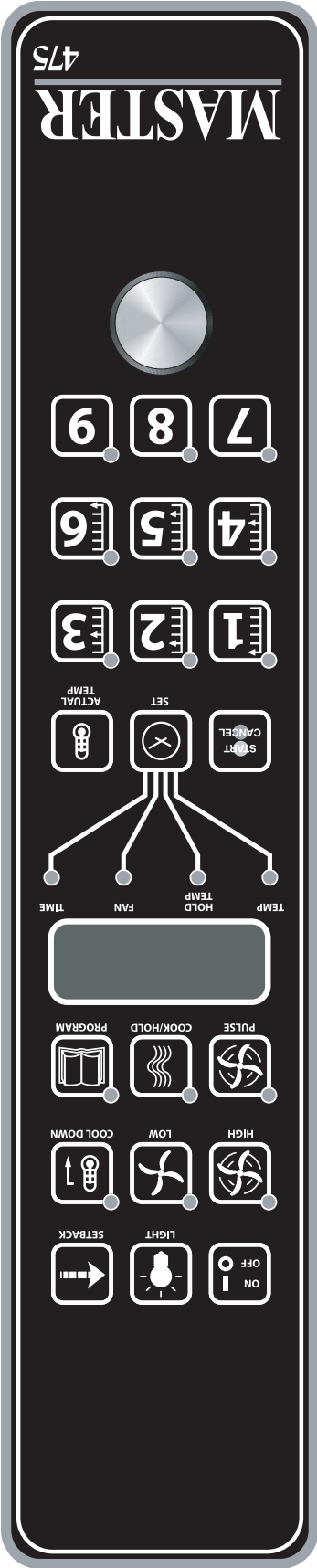
6. Appuyez sur la touche SET - la DEL FAN s'allume.

7. Sélectionnez le mode de fonctionnement du ventilateur à l'aide d'une des trois touches (3) du ventilateur (HIGH, LOW, PULSE) - la DEL du ventilateur sélectionné s'allume.

8. Appuyez sur la touche « SET » - La Del « TIME » clignote.
9. Réglez le temps de cuisson avec le cadran (préreglé en usine à 30:00).

10. Appuyez sur la touche « SET » - le four est prêt à cuire.

11. Appuyez sur « START/CANCEL » pour commencer la cuisson manuelle.



Fahrenheit/Celsius

Le défaut d'usine est Fahrenheit (F). Pour changer en (C) Celsius, pression et prise dans « touche fantôme » située à la droite de la touche de « Cook/Hold ». « F » apparaît dans l'affichage. Continuez à tenir jusqu'à ce que « C » soit montré et puis à libérer « la touche fantôme ».

Utilisation des commandes

Le réglage de la température et du temps de cuisson se fait de la même manière. Quand on appuie sur la touche SET, la DEL TEMP s'allume. L'utilisateur règle la température en tournant le cadran du contrôleur jusqu'à ce que la température désirée soit indiquée sur l'affichage. Si on appuie une deuxième fois sur la touche SET, la DEL TIME s'allume ce qui permet à l'utilisateur de choisir le temps de cuisson comme indiqué sur l'affichage. En appuyant une troisième fois sur la touche SET, on arrête la programmation.

Fonctionnement en mode cuisson-attente

Quand on appuie sur la touche COOK/HOLD (Contrôleurs 450 et 455 uniquement) on active le mode Cook-N-Hold (cuisson et attente) et sa DEL s'allume. Pour vérifier que l'on a choisi la bonne température d'attente, appuyer deux fois sur la touche SET. L'affichage indique la température d'attente. À la fin du cycle de cuisson, le message « DONE » clignote sur l'affichage et le signal sonore retentit pendant 3 secondes, après quoi l'affichage indique « HOLD » et le four passe à la température d'attente programmée.

Le réglage de la température de cuisson, de la température d'attente et du temps de cuisson se fait de la même façon. Quand on appuie sur la touche SET, la DEL TEMP s'allume. L'utilisateur règle alors la température en tournant le cadran du contrôleur jusqu'à ce que la température désirée apparaisse sur l'affichage. Quand on appuie une deuxième fois sur la touche SET, la DEL HOLD s'allume et l'utilisateur peut régler la température souhaitée indiquée sur l'affichage. Quand on appuie une troisième fois sur la touche SET, la DEL TIME s'allume et l'utilisateur peut sélectionner le temps de cuisson désiré indiqué sur l'affichage. Quand on appuie un quatrième fois sur la touche SET, on arrête la programmation.

Fonctionnement avec la sonde thermique

Quand on appuie sur la touche START/CANCEL, on lance le cycle de la minuterie. Une fois le cycle terminé, on appuie sur cette touche pour effacer également le message « DONE ». Pour annuler un cycle de la minuterie pendant le cycle, maintenir enfoncée la touche START/CANCEL pendant 3 secondes.

L'option Core Probe (sonde thermique) (Contrôleurs 455 uniquement) est activée uniquement lorsque la sonde thermique est branchée sur son connecteur. Pour régler la température de l'intérieur de l'aliment, brancher d'abord la sonde thermique dans son connecteur. L'affichage indique « 100 » et la DEL CORE TEMP s'allume. L'utilisateur règle alors la température en tournant le cadran du contrôleur jusqu'à ce que la température souhaitée apparaisse sur l'affichage. Quand on appuie sur la touche SET, la température à l'intérieur de l'aliment est enregistrée et le processus de cuisson commence.

Pour régler la température du four, appuyer à nouveau sur la touche SET. La DEL TEMP s'allume et on peut régler la température du four en tournant le cadran du contrôleur jusqu'à ce que la température désirée s'affiche. Quand on appuie à nouveau sur la touche SET, la DEL HOLD s'allume et l'utilisateur peut régler la température d'attente de la même manière.

REMARQUE: Si la température d'attente n'est pas réglée, l'appareil utilisera la température d'attente par défaut de 150°F (66°C) ou la dernière température programmée. La gamme des températures d'attente va de 140°F (60°C) à 210°F (99°C).

Lorsque la température intérieure de l'aliment est atteinte, le signal sonore retentit et le message « DONE » clignote sur l'affichage pendant 3 secondes. L'affichage passe automatiquement à « HOLD ». Pour terminer ce cycle, la sonde thermique doit être retirée du connecteur.

Réglage de la fonction Setback (retour au point de consigne)

Pour configurer ou modifier les réglages de retour au point de consigne, maintenir enfoncée la touche SETBACK pendant deux secondes. La DEL TEMP s'allume et une température s'affiche. Régler la température avec le cadran, puis appuyer sur la touche SET. La DEL TEMP s'éteint et la DEL TIME s'allume (le « Temps » est réglé à 0 en usine). Régler le temps avec le cadran, puis appuyer sur la touche SET. Appuyer encore une fois sur la touche SET pour sortir du mode de programmation.

REMARQUE: Pour désactiver la fonction de réduction de puissance, régler la température sur 250°F (121°C) et le minuterie sur zéro.



Quand on appuie sur la touche LIGHT, l'éclairage s'allume pendant 30 secondes. Les lampes fonctionnent si le contrôleur est en mode d'arrêt (Off). Lorsque la porte du four est ouverte, la lumière s'allume et reste allumée pendant 30 secondes.

Quand on appuie sur la touche FAN HIGH, le ventilateur fonctionne à haute vitesse et sa DEL s'allume.

Quand on appuie sur la touche FAN LOW, le ventilateur fonctionne à basse vitesse et sa DEL s'allume.

Quand on appuie sur la touche FAN PULSE, le ventilateur fonctionne à basse vitesse et sa DEL s'allume. Le ventilateur pendant 30 secondes à basse vitesse, s'arrête pendant 30 secondes, puis recommence le cycle.

En appuyant sur la touche **SETBACK**, on refroidit le four jusqu'à une température préprogrammée, voir : Réglage de la fonction « Set-back » (retour au point de consigne). Le four revient automatiquement en mode de retour au point de consigne après le temps de non utilisation préprogrammé. L'affichage indique « **SETB** ». Il s'agit d'une fonction destinée à économiser l'énergie.

Quand on appuie sur la touche COOL DOWN, le chauffage est désactivé, le ventilateur fonctionne à haute vitesse et sa DEL est allumée. L'affichage indique « OPEN DOOR » si la porte est fermée, demandant à l'utilisateur d'ouvrir la porte. Avec la porte entrouverte, l'affichage indique « COOL DOWN » (refroidissement) fonctionnant avec la fonction Cool Down ou entrouverte. Le refroidissement optimal est atteint avec la porte entrouverte. Lorsque la porte est plus largement ouverte, le mode de refroidissement est désactivé et l'affichage indique « DOOR ». Ceci est une fonction brevétée. Si on appuie à nouveau sur la touche COOL DOWN, En appuyant sur la touche ON/OFF, on désactive également le mode de refroidissement. Le mode de refroidissement n'est pas activé pendant la cuisson.

Si la température du four est supérieure à 200°F (93°C), le four entre en mode Auto Cool Down (refroidissement automatique). En mode de refroidissement automatique, le ventilateur fonctionne à haute vitesse jusqu'à ce que la température intérieure du four descende au-dessous de 150°F (66°C). Pendant ce temps, l'affichage indique « AUTO ». Lorsque la température du four est inférieure à 150°F (66°C), le four s'arrête. Cette fonction protège le moteur du four contre une panne prématurée. On obtient un refroidissement optimal du four avec la porte entrouverte.

Minuterie

La minuterie est réglée en tournant le bouton dans le sens horaire pour aligner l'indicateur avec le cycle désiré de minuterie. La minuterie décompte de 2 minutes à 60 minutes. À la fin du cycle de minuterie, un signal sonore retentit. On arrête le signal sonore en tournant le cadran dans le sens inverse des aiguilles d'une montre en position « Off », comme indiqué sur le panneau de commande.

NOTA : La minuterie ne commande pas le chauffage.

Commande Electronique Master 450 Avec Cuisson Et Attente Et Commande Electronique Master 455 Avec Cuisson Et Attente Et Sonde Thermique

En mode d'arrêt (Off)

Lorsque le contrôleur est désactivé, l'affichage indique le « Off ». Le fait d'appuyer sur la touche ON/OFF active le contrôleur en mode de démarrage (Start Up).

En mode de démarrage (Start Up)

En mode de démarrage, le contrôleur commande le chauffage selon les derniers réglages effectués en matière de température, de durée de cuisson et de vitesse du ventilateur. Les valeurs par défaut réglées en usine sont de 350°F (177°C), 30 minutes et basse vitesse du ventilateur. L'affichage indique « LO » lorsque la température du four est inférieure à la température sélectionnée. Lorsque l'intérieur du four atteint la température sélectionnée et que le four est prêt à être utilisé, l'affichage indique « LOAD ».

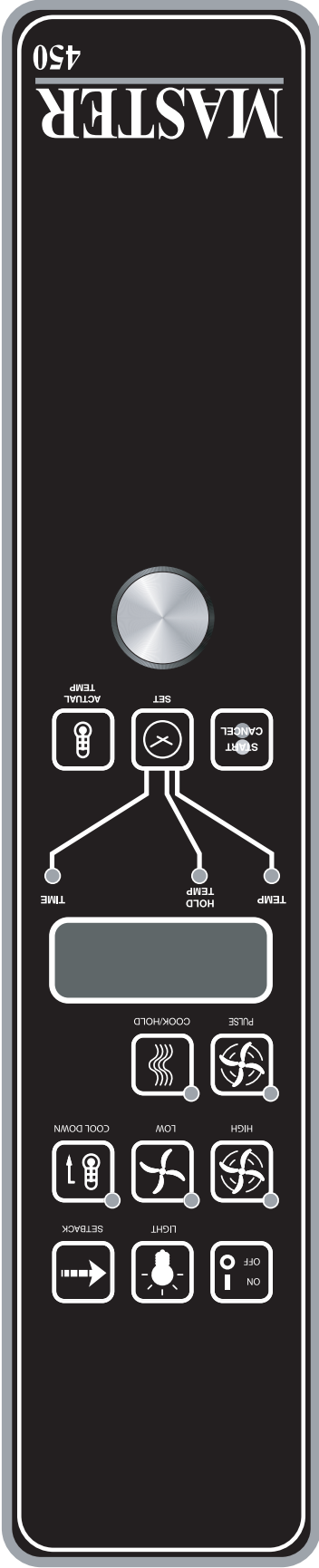
REMARQUE: Si la température du four dépasse la température sélectionnée, l'affichage indique « HI », et si la température du four dépasse 575°F (302°C) l'affichage indique « HELP » et le signal sonore retentit. *Ceci est une fonction de sécurité.*

Si la porte est ouverte pendant le mode de cuisson, le ventilateur et le chauffage s'arrêtent et l'affichage indique « DOOR » jusqu'à ce que la porte soit fermée. Ceci est une fonction de sécurité brevetée.

Quand on appuie sur la touche ACTUAL TEMP, la température réelle du four est indiquée sur l'affichage par incréments de 5 degrés.

Touces du Contrôleur

On appuie sur la touche ON/OFF, pour mettre en marche le four.



Commande Transistorisée Master 200 Avec Minuterie Electromécanique

En mode d'arrêt

Quand le four est éteint, il n'y a aucun voyant ni indicateur.

Démarrage

Mettre le commutateur à bascule Cook/Off/Cool Down en position « Cook ». Le témoin vert s'allume, indiquant que le four est sous tension et en mode de cuisson.

Le four commence à chauffer pour atteindre la température réglée sur le cadran du thermostat. Le témoin ambre s'allume indiquant que le chauffage est actif. Ce témoin s'allume et s'éteint en même temps que le dispositif de chauffage pour maintenir la température réglée.

La porte doit être fermée pour que le four fonctionne en mode de cuisson. L'ouverture de la porte arrête le dispositif de chauffage. Le moteur et le ventilateur s'arrêtent. Ceci est une fonction de sécurité.

Vitesse du ventilateur

La vitesse du ventilateur peut être rapide (1 725 tr/min) ou lente (1 150 tr/min). La vitesse du ventilateur est commandée par l'interrupteur à bascule de gauche marqué High (rapide) et Low (lent).

Éclairage

Les lampes du four sont actionnées en appuyant sur l'interrupteur d'éclairage du panneau de commande. Il s'agit d'un interrupteur à rappel et les lampes restent allumées aussi longtemps que le bouton est maintenu en position de marche. Les lampes fonctionnent seulement si le four est branché au réseau électrique.

Refréridissement

Mettre le commutateur à bascule Cook/Off/Cool Down en position « Cool Down » pour activer le ventilateur et le moteur afin de refroidir l'intérieur du four. La porte doit être entrouverte pour que le ventilateur et le moteur démarrent. Le chauffage n'est pas actif dans ce mode. On obtient un refroidissement optimal avec la porte légèrement ouverte. Le fait d'ouvrir la porte trop grand éteint le ventilateur et le moteur. Ceci est une caractéristique de sécurité déposée.

Mettre le bouton en position « Off » pour annuler le refroidissement et éteindre le four.

Température

La plage de températures va de 150°F à 500°F (66°C à 250°C) et est commandée en tournant le cadran de température et en alignant l'indicateur sur la température souhaitée.

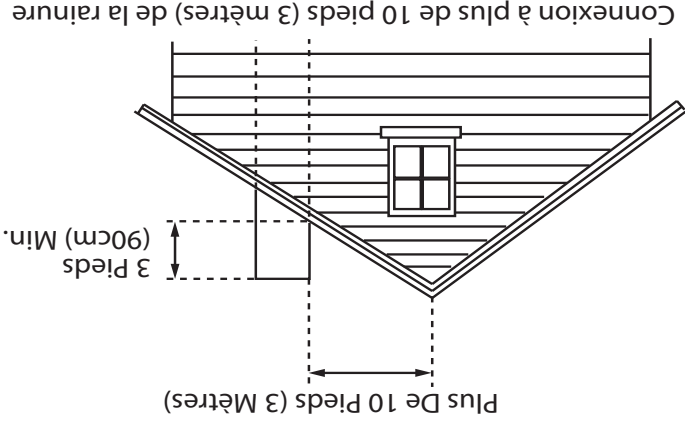
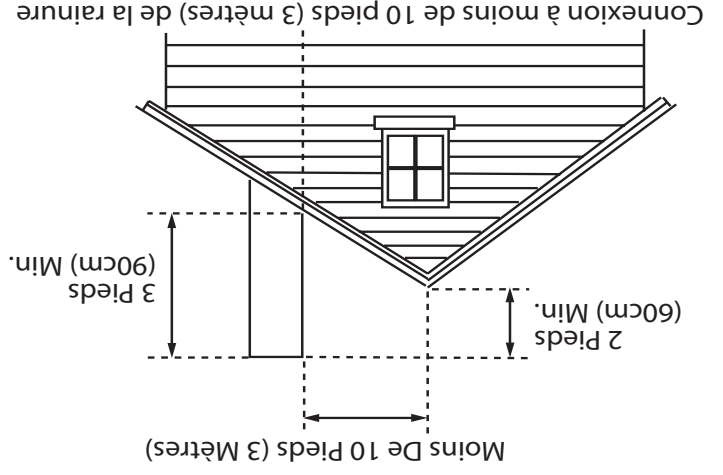


Cela peut limiter le débit d'air et empêcher une ventilation correcte. Dans les cas où il est nécessaire d'installer un conduit horizontal, nous recommandons que ce conduit monte d'au moins 1/4 po (6,25 mm) par pied linéaire de longueur, et qu'après un total de coudes de 180°, la taille du conduit soit augmentée de deux pouces (2 po). Le conduit de fumée devra s'élever à 2 à 3 pieds (60 à 90 cm) au-dessus de la ligne du toit ou à 2 à 3 pieds (60 à 90 cm) au-dessus de toute partie du bâtiment située à une distance horizontale de 10 pieds (3 mètres).

Le schéma suivant n'est qu'un exemple provenant du National Fuel Gas Code Book NFPA 54, ANSI Z223.1, 7.5.3.

Instructions D'essai Et D'allumage

1. Ouvrir le robinet principal de gaz. Retirer le couvercle inférieur avant et le panneau d'entretien au dessus du panneau de commande. Abaisser le panneau de commande et rechercher les fuites sur tous les raccords et toutes les connexions en amont du robinet d'entretien situé sur le robinet de gaz combiné redondant. Si une fuite de gaz est détectée, mettre le robinet principal de gaz en position fermée, corriger le problème et refaire un essai.
2. Ouvrir le robinet d'arrêt située sur le robinet combiné redondant de gaz. Activer le panneau de commande et régler la température désirée. La veilleuse est allumée par étincelle directe, les brûleurs principaux sont allumés ensuite par la veilleuse. Vérifier encore une fois tous les raccords, réparer les fuites et effectuer une nouvelle vérification.



Remettre en place les panneaux d'entretien et les couvercles avant d'utiliser l'appareil.

REMARQUE: Tous les systèmes d'allumage électronique sont fournis avec un robinet de gaz redondant. Pour cette raison, l'appareil n'est pas livré avec un régulateur de pression extérieur.

REMARQUE: De l'air pénétrera dans la canalisation de gaz pendant l'installation. Cet air doit être purgé avant de procéder à l'allumage de l'appareil. Le système d'allumage électronique est doté d'un verrouillage de 90 secondes comme dispositif de sécurité sur tous les appareils. Par conséquent, il peut être nécessaire de refaire plusieurs tentatives avant l'allumage de la veilleuse. Attendre cinq minutes après chaque tentative.

POUR LA SÉCURITÉ DE L'UTILISATEUR, ÉLOIGNER TOUTE MATIÈRE COMBUSTIBLE DE LA ZONE ENTOURANT LE FOUR. POUR ÉCONOMISER L'ÉNERGIE

Ne pas gaspiller l'énergie en laissant les commandes sur les réglages forts pendant les périodes d'inactivité. Des réglages plus bas maintiendront le four chaud et prêt pour la période d'utilisation suivante. Les commandes de la série Master 400 possèdent une fonction automatique de point de consigne programmable par l'utilisateur pour en simplifier les applications.

Connexions Du Gaz

On devra utiliser l'entrée de 1 po NPT à l'arrière de l'appareil lors de l'installation de la conduite d'alimentation en gaz pour les appareils à deux sections empilées ou l'entrée ¾ po NPT pour les connexions individuelles (une section). Une conduite de gaz sous-dimensionnée peut limiter le débit du gaz et affecter les performances. Si d'autres appareils sont alimentés par la même conduite, cette conduite doit avoir un diamètre suffisant pour alimenter tous les appareils installés sans provoquer de chute de pression supérieure à ½ po au collecteur de chaque appareil branché sur la conduite, à plein régime.

La pression d'alimentation recommandée est de 7 po CE (NAT), et 11 po CE (PRO); ± 5 %. (Ne doivent pas dépasser 13,8 po C.E. [NAT], et 15 po C.E. [PRO]).

Connexions Électriques

Chaque four doit disposer d'une source d'alimentation électrique 15 A. Pour une utilisation en 115 V ca., un cordon électrique et une fiche (NEMA #5-15P) sont fournis, mais la connexion au réseau électrique doit être mise à la terre conformément aux codes locaux ou, en l'absence de codes locaux, au National Electrical Code, ANSI/NFPA 70, ou au Code canadien de l'électricité, CSA C22.2, selon les cas.

Cet appareil est doté d'une fiche à 3 broches (avec prise de terre) pour protéger l'utilisateur des chocs électriques. Cette fiche doit être branchée directement dans une prise murale à 3 broches convenablement reliée à la terre.

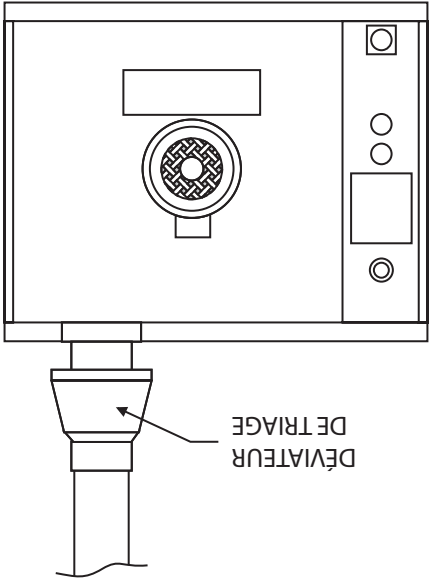
NE PAS COUPER NI RETIRER LA BROCHE DE MISE À LA TERRE DE CETTE PRISE.

Un schéma de câblage est fixé à l'arrière de l'appareil.

Ventilation Et Alimentation En Air

Une bonne ventilation est extrêmement importante pour que cet appareil fonctionne correctement. Il n'existe que deux solutions pour ventiler correctement un four : 1) une hotte aspirante ou 2) une ventilation directe. La méthode idéale pour ventiler un four à convection à GAZ est d'utiliser une hotte correctement conçue, qui doit se prolonger de 6 po (150 mm) sur tous les côtés de l'appareil et être placée à 6 pi 6 po (1 950 mm) du sol.

Un ventilateur d'extraction puissant crée un vide d'air dans la pièce. Pour qu'un système d'évacuation d'air fonctionne correctement, les quantités d'air évacué et d'air frais doivent être bien équilibrées. Pour obtenir cet équilibre, contacter le spécialiste local en chauffage et climatisation.



DÉVIATEUR
DE TRIAGE

Tous les brûleurs et veilleuses à gaz ont besoin de suffisamment d'air pour fonctionner et on ne devra pas placer d'objets de grande taille devant ce four, car cela empêcherait la circulation de l'air à l'avant de l'appareil. Installation D'un Conduit De Fumée Direct

Lorsqu'il est impossible d'installer une hotte aspirante, on peut ventiler le four directement. Avant de procéder à cette installation, consulter les codes locaux relatifs à la ventilation et, en l'absence de codes locaux, consulter le National Fuel Code NFPA 54, ANSI Z223.1 (dernière révision).

Si l'appareil doit être directement connecté à un conduit de cheminée, il est nécessaire d'y installer un déviateur de tirage pour assurer une ventilation correcte.

Le dispositif de ventilation directe doit être installé sur le dessus principal et être fixé à l'aide des vis à métaux fournies.

REMARQUE: Chaque four a été testé et réglé en usine avant son expédition. Il peut être nécessaire de régler de nouveau le four dans le cadre de l'installation. De tels réglages sont de la responsabilité de l'installateur. Les réglages nécessaires ne sont pas considérés comme des défauts de matière ou de main-d'œuvre et ils ne sont pas couverts par la garantie d'origine de l'appareil.

NE PAS UTILISER DE CONDUITS DE VENTILATION SOUS-DIMENSIONNÉS!

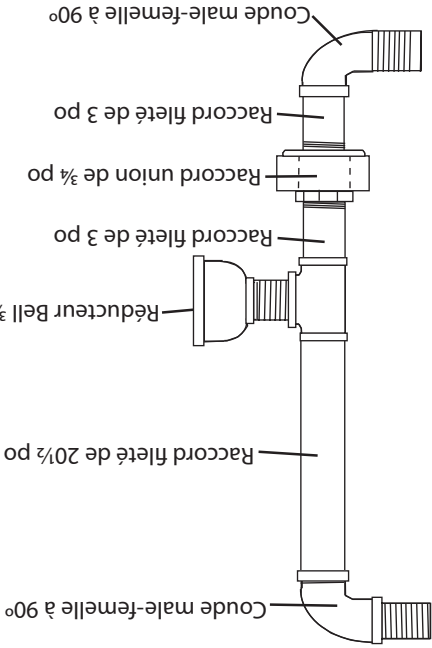
- B. Les roulettes avant de l'appareil seront équipées de freins pour limiter le déplacement de l'appareil sans exercer aucun effort sur le connecteur ou le dispositif de débanchement rapide ou les conduits connexes.
- C. Le dispositif de retenue peut être fixé à l'appareil près de l'entrée du gaz. Si le dispositif est débanché, ne pas oublier de le rebrancher après remis le four dans sa position d'installation d'origine.

Installation Des Modèles À Deux Sections

- A. Placer l'insert dans l'ouverture inférieure du pied et l'enfoncer dans le pied jusqu'à ce qu'il soit en place à la bride à coller. Fixer les pieds de six pouces (6 po) à la section inférieure du four. Soulever l'appareil ou le coucher sur le côté gauche. Placer les pieds avant sur le four de manière à les aligner avec les quatre (4) trous des boulons de fixation. Fixer les pieds au châssis du four en utilisant les quatre (4) boulons de 1/4 x 20 et les rondelles fournis. Faire la même chose à l'arrière de l'appareil.
- B. Retirer le couvercle inférieur avant de la section supérieure (situé sous les portes du four). Mettre la section supérieure en place et aligner les côtés de la carrosserie et l'arrière de l'appareil. Fixer l'arrière des appareils ensemble avec la bride d'empilage, en utilisant huit (8) vis à métaux de 10-24, les rondelles de blocage et les écrous fournis.
- C. Installer les pièces d'interconnexion des conduits de fumée en suivant scrupuleusement les instructions contenues dans l'ensemble d'empilage. Faire très attention au type de fours à empiler et bien suivre les instructions correspondantes.

- D. Assembler les tuyaux d'empilage fournis dans l'ensemble d'empilage comme indiqué dans le schéma en haut de cette page. Cela permet d'alimenter les deux fours avec une seule conduite de gaz. La taille minimale recommandée pour une conduite d'alimentation unique pour deux fours empilés est de 1 po. Utiliser de la graisse à filetage prévue pour une utilisation sur des conduites de gaz propane et vérifier qu'il n'y a pas de fuites avant de finaliser l'installation.
- E. Vérifier que l'appareil est de niveau dans les quatre sens en posant un niveau de charpentier ordinaire sur la grille à l'intérieur du four.
- F. Brancher le cordon de chaque unité dans une prise d'alimentation de 115 volts.
- G. Maintenir le dégagement nécessaire par rapport aux matières combustibles.

Chaque appareil à gaz sera disposé conformément à la construction du bâtiment et aux autres équipements de manière à pouvoir accéder à l'appareil. Cet accès et le dégagement peuvent être nécessaires pour l'entretien et le nettoyage de l'appareil.



AVERTISSEMENT :
Débrancher les deux appareils de l'alimentation électrique avant de procéder à leur entretien.

PANNE D'ÉLECTRICITÉ
En cas de panne d'électricité, ne pas essayer de faire fonctionner ce four.

IMPORTANT
On ne devra pas placer d'objets de grande taille devant le four, car ils pourraient empêcher la circulation de l'air à l'avant de l'appareil. On ne devra pas placer d'objets à l'arrière du four supérieur pendant son fonctionnement. Cela peut obstruer le système de ventilation des fumées de l'appareil.

FELICITATIONS! Vous avez acheté le meilleur équipement commercial de cuisson disponible.

Comme tout autre équipement fabriqué avec précision, il devra être nettoyé et entretenu régulièrement. Des inspections périodiques par votre revendeur ou une entreprise de service qualifiée sont recommandées. Pour contacter l'usine ou votre revendeur d'équipement en ce qui concerne des problèmes de réparation ou des pièces de rechange, référez-vous à cet appareil particulier en indiquant le numéro de modèle correct (comprenant les lettres de préfixe et de suffixe et les numéros) ainsi que le numéro de série ou de code. La plaque signalétique située derrière le panneau inférieur avant (sous les portes du four) contient cette information.

INSTALLATION

Remarques Sur L'Installation

Dégagement par rapport aux murs combustibles et incombustibles:

Côtés : 1 po (25 mm)

Arrière : 3 po (76 mm)

NOTA : Un dégagement suffisant doit être prévu pour l'entretien et l'utilisation.

On n'insistera jamais assez sur l'installation correcte de l'équipement de cuisson à gaz. Le fonctionnement de l'équipement dépend, en grande partie, de la conformité de l'installation aux spécifications du fabricant. L'installation doit être conformément à la norme pour connecteurs pour appareils mobiles, ANSI Z21.69 / CSA 6.16, et un dispositif de débranchement rapide conforme à la norme pour les Dispositifs à débranchement rapide pour le gaz, ANSI Z21.41 / CSA 6.9.

Avant le montage et le branchement, vérifier l'alimentation en gaz.

A. Le type de gaz pour lequel l'appareil est équipé est estampillé sur la plaque signalétique située derrière le panneau avant inférieur. Brancher une unité estampillée « NAT » seulement au gaz naturel et une unité estampillée « PRO » seulement au gaz propane.

B. S'il s'agit d'une installation neuve, demander au fournisseur de gaz de vérifier la taille du compteur et la tuyauterie pour s'assurer que l'appareil est alimenté avec une pression de gaz suffisante nécessaire pour son fonctionnement.

C. S'il s'agit d'un équipement supplémentaire ou de rechange, demander au fournisseur de gaz de vérifier la pression pour s'assurer que le compteur et les conduites existants alimenteront l'appareil avec une chute maximale de pression de 1/2 po de colonne d'eau.

Installation Des Rôtissoires Equipées De Roulettes

A. Pour un appareil équipé de roulettes, l'installation sera effectuée avec un connecteur conforme à la norme Connectors for Movable Appliances, ANSI Z21.69 ou à la norme Connecteurs pour appareils à gaz mobiles, CAN/CGA-6.16 et un dispositif de débranchement rapide conforme à la norme Quick-Disconnect Devices for Use With Gas Fuel, ANSI Z21.41 ou Dispositif de débranchement rapide à utiliser avec le gaz, CAN-1-6.9 et des dispositifs adéquats devront être prévus pour limiter les déplacements de l'appareil sans utiliser le connecteur et le dispositif de débranchement rapide ou sa tuyauterie connexe pour limiter les déplacements de l'appareil et les emplacements où les moyens de retenue peuvent être fixés à l'appareil seront spécifiés.

(3,45 kPa).

L'appareil doit être isolé du système de canalisations d'alimentation en gaz en fermant son robinet d'arrêt manuel individuel lors de tout essai de pression du système de conduites d'alimentation en gaz à des pressions d'essai égales ou inférieures à 1/2 lb/po2

L'appareil et son robinet d'arrêt individuel doivent être débranchés du système de conduites d'alimentation en gaz pendant tout essai de pression de ce système à des pressions d'essai dépassant 1/2 lb/po2 (3,45 kPa).

NOTA : Pour vérifier la pression, s'assurer que tous les autres équipements sur la même conduite de gaz sont allumés. Un régulateur de pression interne est livré avec les fours à convection de GARLAND. Régler le régulateur pour qu'il débite le gaz à la pression indiquée sur la plaque signalétique.

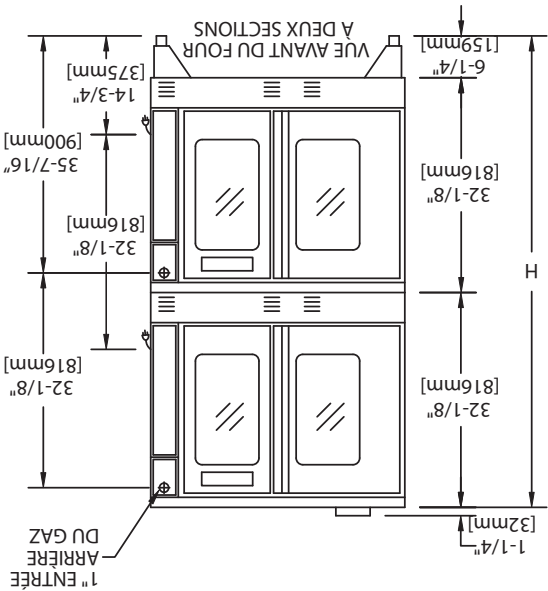
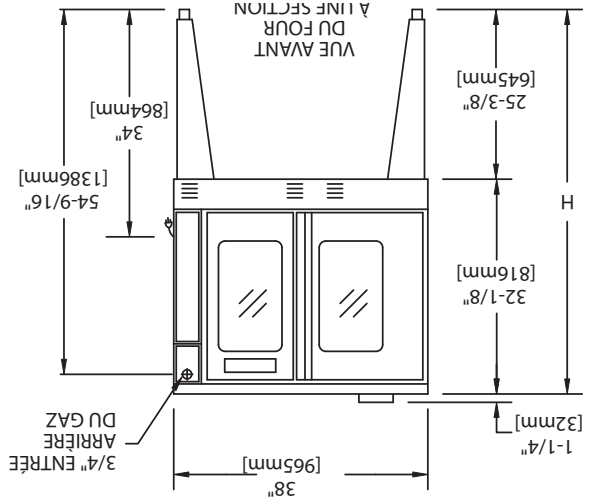
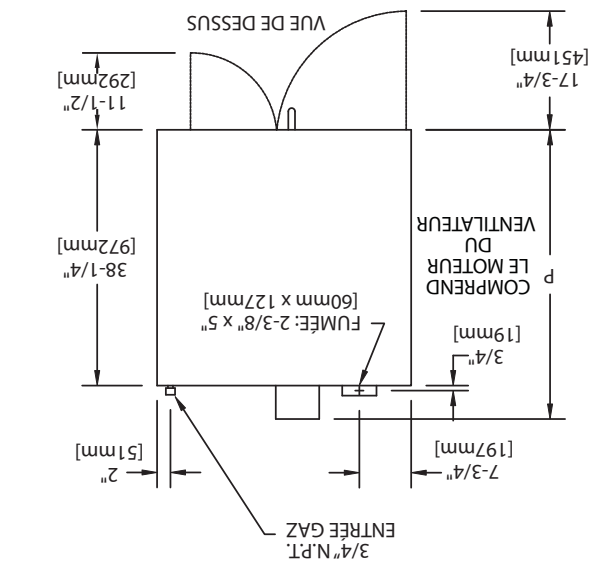
DIMENSIONS ET SPÉCIFICATIONS

Modèles A	Dimensions Intérieures In (Mm)			Dimensions Extérieures In (Mm)			PDS. EXP.	DIM. EXP.
	L	H	P	L	H*	P		
Prof. std	29 (736)	24 (610)	24 (610)	38 (965)	57-1/2 (1461)	41-1/4(1048)	515/230	64
Grande prof.	29 (736)	24 (610)	28 (711)	38 (965)	57-1/2 (1461)	44-1/2(1130)	545/245	64

Modèles A	Dimensions Intérieures In (Mm)			Dimensions Extérieures In (Mm)			PDS. EXP.	DIM. EXP.
	L	H	P	L	H*	P		
Prof. std	29 (736)	24 (610)	24 (610)	38 (965)	70-1/2 (1791)	41-1/4(1048)	1030/465	128
Grande prof.	29 (736)	24 (610)	28 (711)	38 (965)	70-1/2 (1791)	44-1/2(1130)	1090/490	128

*Hauteur avec ou sans les roulettes standard. La hauteur avec les roulettes à profil bas (double section) est de 68-1/2po (1740 mm)

Modèles	BTU/hr	Équiv. KW.	Spécifications Électriques	
			Entrée Gaz	120V/1Ph. 240V/1Ph.
Une section	60,000	17.6	(1) @ 3/4" NPT	(1) @ 5.2A
Deux sections	120,000	35.2	(1) @ 1" NPT	(2) @ 5.2A



- Remarques :**
- Les spécifications électriques standard comprennent les exigences du moteur.
 - (unités en 120V), moteur à 2 visesses de 3/4 H.P. 115V; 1140 et 1725 tr/mn, 60Hz.
 - (unités en 240V), moteur à 2 visesses de 3/4 H.P. 200-240V, 60/50Hz, 1140 et 1725 tr/mn.
 - Un cordon d'alimentation de 6 pieds est fourni avec chaque section en 120V avec une prise (NEMA #5-15P).
 - Garand recommande l'installation d'un circuit séparé de 15 A pour chaque appareil en 120 volts.

Remarques sur l'installation
 Pression du collecteur : Gaz naturel : 4 C.E. (10 mbar)
 Propane: 10 C.E. (25 mbar)
 (Max. 13,8 C.E. @ 70 ° F)
et combustibles :
 Côtés : 1 po(25 mm)
 Arrière : 3 po (76 mm)
Dégagement d'entrée :
 En caisse : 47 po (1194 mm)
 Déballé : 32 1/2 po (826 mm)

REMARQUE : Ces données s'appliquent uniquement en Amérique du Nord

TABLE DES MATIÈRE

2	INFORMATIONS IMPORTANTES	2
4	DIMENSIONS ET SPÉCIFICATIONS	4
5	INTRODUCTION	5
5	INSTALLATION	5
5	Remarques Sur L'installation	5
5	Installation Des Rôtissoires Equipées De	5
6	Roulettes	5
6	Installation Des Modèles À Deux Sections	6
7	Connexions Du Gaz	7
7	Connexions Électriques	7
7	Ventilation Et Alimentation En Air	7
8	Instructions D'essai Et D'allumage	8
9	FONCTIONNEMENT	9
9	Commande Transistorisée Master 200	9
9	Avec Minuterie Electromécanique	9
9	En mode d'arrêt	9
9	Démarrage	9
9	Vitesse du ventilateur	9
9	Eclairage	9
9	Refroidissement	9
9	Température	9
10	Minuterie	10
16	RECOMMANDATIONS D'UTILISATION	16
17	GUIDE DE CAISSON	17
18	CAISSON ET MAINTIEN AU CHAUD	18
19	PROBLÈMES/SOLUTIONS	19
20	NETTOYAGE	20
20	Période de rodage	20
20	Nettoyage extérieur	20
20	Nettoyage intérieur	20
21	ENTRETIEN DU MOTEUR	21
21	Maintenance de la zone du ventilateur	20
15	RECOMMANDATIONS D'UTILISATION	15
15	Commande Electronique Programmable	13
15	De La Série Master 475	13
13	Cuisson manuelle	13
13	Cuisson manuelle à l'aide de la fonction	13
13	Cook-N-Hold (cuisson-attente)	13
14	Programmation des touches produit	14
14	(Master 475)	14
15	Vérification du temps de maintien au	15
15	chaud (Master 475)	15
15	Cuisson avec la minuterie de niveau	15
15	(Master 475):	15
12	RECOMMANDATIONS D'UTILISATION	12
12	Commande Electronique Programmable	12
12	De La Série Master 475	12
12	Réglage de la fonction Setback	12
12	(retour au point de consigne)	12
12	Fonctionnement avec la sonde thermique	12
12	Fonctionnement en mode cuisson-attente	12
12	Fonctionnement en mode cuisson-attente	12
12	Utilisation des commandes	12
12	Fahrenheit/Celsius	12
10	Touches du Contrôleur	10
10	En mode de démarrage (Start Up)	10
10	En mode d'arrêt (Off)	10
10	Et Attente Et Sonde Thermique	10

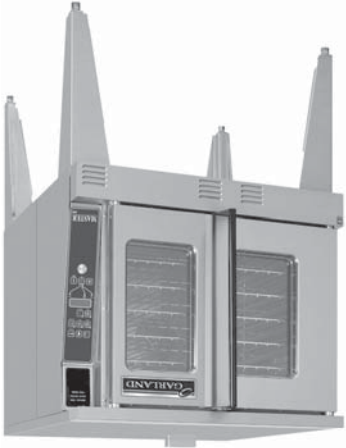
Maintenir les abords de l'appareil dégagés et ne pas y stocker de produits combustibles

AVERTISSEMENT

Ce produit contient des produits chimiques reconnus par l'état de Californie comme causant le cancer et/ou des malformations congénitales ou d'autres problèmes de reproduction. L'installation et l'entretien de ce produit peut vous exposer aux poussières de laine de verre/fibres céramiques. L'inhalation de ces particules de laine de verre ou de fibres céramiques est reconnue par l'état de Californie comme causant le cancer. L'utilisation de ce produit peut vous exposer au monoxyde de carbone en cas de mauvais réglage. L'inhalation de monoxyde de carbone est reconnue par l'état de Californie comme pouvant causer des malformations congénitales ou d'autres problèmes reproductifs.



INSTRUCTIONS D'INSTALLATION ET D'UTILISATION FOUR À CONVECTION AU GAZ « THE MASTER »



POUR VOTRE SÉCURITÉ :
NE PAS STOCKER NI UTILISER D'ESSENCE
OU D'AUTRES VAPEURS OU LIQUIDES
INFLAMMABLES À PROXIMITÉ DE CET
APPAREIL OU DE TOUT AUTRE APPAREIL

AVERTISSEMENT
UNE INSTALLATION, DES RÉGLAGES, DES
MODIFICATIONS, DES RÉPARATIONS OU UN
ENTRETIEN MAL FAITS PEUVENT CAUSER
DES DOMMAGES MATÉRIELS, DES BLES-
SURES OU LA MORT. LIRE SOIGNEUSE-
MENT LES INSTRUCTIONS D'INSTALLATION,
D'UTILISATION ET D'ENTRETIEN
AVANT D'INSTALLER OU DE RÉPARER
L'ÉQUIPEMENT.

LIRE TOUTES LES SECTIONS DU PRÉSENT
MANUEL ET LE CONSERVER POUR S'Y REPORTER
ULTÉRIEUREMENT.

CE PRODUIT A ÉTÉ HOMOLOGUÉ EN TANT
QU'ÉQUIPEMENT PROFESSIONNEL DE CUISSON
ET DOIT ÊTRE INSTALLÉ PAR DU PERSONNEL
PROFESSIONNEL TEL QUE SPÉCIFIÉ.

DANS L'ÉTAT DU MASSACHUSETTS, CE PRODUIT
DOIT ÊTRE INSTALLÉ PAR UN PLOMBIER OU UN
MONTEUR D'INSTALLATION AU GAZ. NUMÉRO
D'AUTORISATION : G-1-07-05-28

Pour votre sécurité
Placer dans un endroit bien en vue les
instructions à suivre en cas d'odeur de gaz
détectée par l'utilisateur. Cette information peut
être obtenue auprès du fournisseur de gaz local.

L'attention des utilisateurs est attirée sur le fait que l'entretien et les réparations doivent être effectués par un agent d'entretien autorisé par Garland utilisant des pièces de rechange d'origine Garland. Garland n'aura aucune obligation en ce qui concerne n'importe quel produit mal installé, réglé, utilisé ou qui n'aurait pas été entretenu conformément aux codes nationaux et locaux ou aux instructions fournies avec le produit ou n'importe quel produit dont le numéro de série aurait été mutilé, oblitéré ou supprimé ou qui aurait été modifié ou réparé avec des pièces non autorisées ou par des agents d'entretien non autorisés. Pour obtenir la liste des agents de service autorisés, consulter le site web de Garland à : <http://www.garland-group.com>. Les renseignements contenus dans le présent document (y compris la conception et les spécifications des pièces) peuvent être remplacés ou modifiés sans préavis.

Fabrique par :
Garland Range
1333 East 179th Street
Cleveland, Ohio 44110
Etats-Unis

Garland Commercial Ranges, LTD.
1177 Kamato Road,
Mississauga, Ontario L4W 1X4
CANADA

Questions générales 1 905 624 0260
Etats-Unis Ventes, pièces et service 1 800 424 2411
Canada Ventes 1 888 442 7526
Canada ou Etats-Unis Pièces et service 1 800 427 6668