



HMC Enterprises LLC Catalog

Service Cases
Open Merchandises
Product Display



GLOSSARY OF TERMS

CASE STYLE

- SCSelf Contained*
 R.....Remote**
 *Self Contained - Condensing unit or compressor is built with the case.
 **Remote - Separate condensing unit is required normally located away from the case.
- SR.....Solid Door Reach In - Refrigerator
 SF.....Solid Door Reach In - Freezer
 GRGlass Door Refrigerator
 GFGlass Door Freezer
 RIN.....Reach In - Normal Temp (refrigerator)
 RIN24 24" W x 63" H doors
 RIN30 30" W x 63" H doors
 RIFReach In - Low Temp (freezer)
 RIF24 24" W x 63" H doors
 RIF30 30" W x 63" H doors

TYPE

- OSOpen Sandwich or Multipurpose
 ODOpen Dairy or Multipurpose
 OPOpen Produce
 OMOpen Packaged Meat
 SOpen Sandwich or Multipurpose
 DOpen Dairy or Multipurpose
 POpen Produce
 MOpen Packaged Meat
 CDSClosed Deli Service Case
 CMS.....Closed Red Meat Service Case
 CFSClosed Fish/Poultry Service Case
 CBSClosed Bakery Service Case

SERIES

- 3030" deep
 3232" deep
 3434" deep
 3535" deep
 4040" deep
 * check spec sheet for actual sizes

DESIGN

- EEndless Design
 NNon-Endless Design (Stand Alone)

LENGTH

- 3..... 3' Length
 4..... 4' Length
 5..... 5' Length
 6..... 6' Length
 8..... 8' Length
 1010' Length
 1212' Length

STYLE OPTIONS

- CCurved End Panels
 LLow Profile 60" vs 72" or 78"
 LB.....Low Base (6.5" Base)
 60" & 78" 35E Open Merchandisers
 LC.....Lit Canopy
 LS.....Lighted Shelf
 PT.....Pass Thru Doors
 BMBottom Mounted condensing unit
 SL.....Sliding Rear Door
 SWSwinging Rear Door

LED STYLES

- LEDOpen Case - Lit Top and Shelves
 LEDService Case - Lit Top
 LED-LSService Case - Lit Top and Shelf

COLORS

- No ColorWhite
 B.....Black
 SStainless Steel

MODEL NUMBER GUIDE

SAMPLE:	CASE STYLE	TYPE/ SERIES/DESIGN	LENGTH/ STYLE	BODY COLORS
	SC	OS30E	6C	S

TABLE OF CONTENTS

HOWARD MCCRAY

ISLAND CASE	2, 3
REACH IN'S	
SR/SF SERIES REFRIGERATORS AND FREEZERS	4, 5
GLASS DOOR MERCHANDISERS	
GR/GF SERIES 82"-83" HIGH, REFRIGERATORS AND FREEZERS	6, 7
GR/GF SERIES 78.5" HIGH, REFRIGERATORS AND FREEZERS	8, 9
OPTIONS – GR, GF, GSR SERIES	10
OPEN MERCHANDISERS	
New REAR LOADING OPEN MERCHANDISERS	
OD30E REAR LOADING SERIES 72" HIGH	12, 13
OD35E REAR LOADING SERIES 72" HIGH	14, 15
New LOW BASE OPEN MERCHANDISERS	
SC-OD35E LOW BASE SERIES 60" AND 72" HIGH	16
R-OD35E LOW BASE SERIES 78.52" HIGH	17
SC-OP35E LOW BASE SERIES 60" AND 72" HIGH	18
R-OP35E LOW BASE SERIES 78.52" HIGH	19
SC-OM35E LOW BASE SERIES 60" AND 72" HIGH	20
R-OM35E LOW BASE SERIES 78.52" HIGH	21
MULTIPURPOSE	
OS30E SERIES, 44" HIGH	22-25
OD30E SERIES, 60" AND 72" HIGH	26-29
OS35E SERIES, 44" HIGH	38-41
OD35E SERIES, 60" AND 78.5" HIGH	42-47
OD35E-33L-LED, 60" HIGH AND 33" WIDE	49
OD35E-48-LED, 78.5" HIGH AND 48" WIDE	49
OD35E-LC SERIES 82.25" HIGH	48
D32E SERIES, 72" HIGH	58, 59
OD40ES SERIES 53" HIGH	63
PRODUCE	
OP30E SERIES, 60" AND 72" HIGH	30-33
OP35E SERIES, 60" AND 78.5" HIGH	50-54
P32E SERIES, 72" HIGH	60, 61
PACKAGED MEATS	
OM30E SERIES, 60" AND 72" HIGH	34-37
OM35E SERIES, 60" AND 78.5" HIGH	54-57
M32E SERIES, 72" HIGH	62
OPTIONS – OPEN MERCHANDISERS	64-65
SERVICE CASES – STAND ALONE	
DELI	
CDS-34N SERIES, DOUBLE DUTY 55" HIGH	68, 69
CDS-35 SERIES, DOUBLE DUTY 52"	74, 75
RED MEAT	
CMS-34N SERIES, DOUBLE DUTY 55" HIGH	70, 71
CMS-35 SERIES, DOUBLE DUTY 52" HIGH	76
FISH AND POULTRY	
CFS-34N SERIES, DOUBLE DUTY 55" HIGH	72, 73
CFS-35 SERIES, DOUBLE DUTY 52" HIGH	77
HOT CASES	
CHS-35 SERIES, DOUBLE DUTY 52" HIGH	78
SERVICE CASES – ENDLESS DESIGN	
New FRONT LOADING SERVICE CASES	
CDS-40E CURVED GLASS FRONT LOAD	90
CMS-40E CURVED GLASS FRONT LOAD	91
CFS-40E CURVED GLASS FRONT LOAD	92
CBS-40E CURVED GLASS FRONT LOAD	93
DELI	
CDS-32E-C, CURVED GLASS	80
CDS-32E SERIES	83
CDS-34E SERIES, DOUBLE DUTY	86
CDS-40E SERIES	94
CDS-40E-C, CURVED GLASS	98

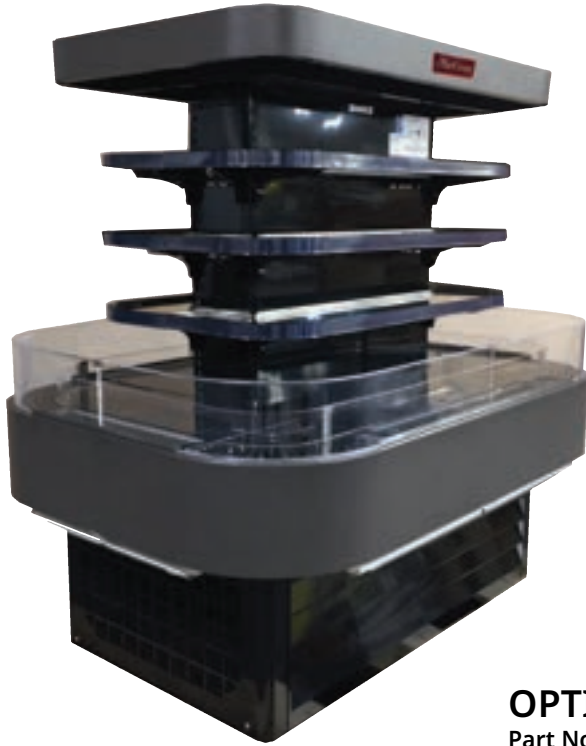
RED MEAT	
CMS-32E-C, CURVED GLASS	81
CMS-32E SERIES	84
CMS-34E SERIES, DOUBLE DUTY	87
CMS-40E SERIES	95
CMS-40E-C, CURVED GLASS	99
FISH AND POULTRY	
CFS-32E-C, CURVED GLASS	82
CFS-32E SERIES	85
CFS-34E SERIES, DOUBLE DUTY	88
CFS-40E SERIES	96
CFS-40E-C, CURVED GLASS	100
HOT CASES	
CHS-40E SERIES	97
BAKERY	
CBS-40E-C, CURVED GLASS	101
OPTIONS – SERVICE CASES ENDLESS DESIGN	104, 105
INSTALLATIONS	89, 103, 109
ACCESSORIES, POWER CORD AND PART DESCRIPTIONS	102
WARRANTY	106, 107
MAP POLICY	108
FOGEL USA	
BAKERY / DELI	
ELITE DC	113
MIRAGE DC	113
ICE MERCHANDISERS	
INDOOR	115
INDOOR	115
BEER FROSTERS	
VERTICAL & HORIZONTAL	116 & 117
HINGED GLASS DOORS AND COUNTER TOPS	
CC-7-HC, X-8-HC	118
VR-HC SERIES	118, 119
CR-HC SERIES, VR-45-SD-HC	120, 121
PARTS & ACCESSORIES	122
COMMERCIAL WARRANTY	123
MAP POLICY	124
ORION BY CLABO CASES	
EVO	
GELATO CASE	134
LAROSSA	
GELATO CASE	135
DELI CASE	136, 137
PASTRY CASE	138, 139
CHOCOLATE CASE	140
AMBIENT CASE	141
KORIEA	
GELATO CASE	142, 143
DELI CASE	144
CHOCOLATE CASE	145
AMBIENT CASE	146
KT24	
GELATO CASE	147
DELI CASE	148
PASTRY CASE	149
CHOCOLATE CASE	150
AMBIENT CASE	151
MODEL NUMBER GUIDE	130
GLOSSARY OF TERMS	131
GELATO PAN LAYOUTS	132
CROSS REFERENCE BY PRODUCT	133

"MADE TO ORDER" DISCLAIMER:

"Added Options" on Howard McCray units are considered "MADE TO ORDER". They will require a deposit and cannot be cancelled or returned once the order has been confirmed.

This includes: Remote Units, Stainless Steel, Special Colors, and Line-ups of Multiple Units.

60" High Island Case – LED Lights at Top Canopy



STANDARD FEATURES

- Glossy Black Aluminum or Stainless Steel Exterior and Interior
- Laminated Top & Base
- LED Lighting Around the Top
- 3 Levels of Stainless Steel Shelving with LED Lighting
- Shelves are Adjustable in 1" Increments
- Price Tag Molding
- Removable Deck Pans for Easy Access
- Built in Product Stops at Deck Area
- All Steel Construction
- Heavy Duty Plexiglas Front Rail
- Foamed in Place with CFC Free Foam
- Heavy Duty Condensing Unit
- Electric Condensate Pan, Separate Plug
- Electronically Controlled Refrigeration System
- Even Flo Air Discharge for Balanced Temperatures
- Optional Top Access Raceway (Electrical & refrigeration connections)
- Optional Laminates

OPTIONS

Part No.	Description
Top-A-Ref	Top Access Raceway for Refrigeration
Top-A-Elec	Top Access Raceway for Electric
Btm-A-Ref	Bottom Access Raceway for Refrigeration
Btm-A-Elec	Bottom Access Raceway for Electric
BUMP-XX	1" High Impact Bumper (Black 012, Gray 018, Red 072, Silver 266)
EXT-C	Exterior Laminate, Top and Body not Base Wilson Art Series #06

60" HIGH ISLAND CASE – LED LIT

Model No.	Description	Depth	Length	Voltage	Amps	HP	Power Cord	Est. Ship Wt
BLACK EXTERIOR & INTERIOR								
SC-OD42I-5-B-LED	Self Contained-Island Case	42.00"	60.00"	115/208-230	15.0	1½	L14-20P	680
SC-OD42I-7-B-LED	Self Contained-Island Case	42.00"	84.00"	115/208-230	16.0	1¾	L14-20P	863
STAINLESS STEEL EXTERIOR & INTERIOR								
SC-OD42I-5-S-LED	Self Contained-Island Case	42.00"	60.00"	115/208-230	15.0	1½	L14-20P	680
SC-OD42I-7-S-LED	Self Contained-Island Case	42.00"	84.00"	115/208-230	16.0	1¾	L14-20P	863

REMOTE – LED LIT

Model No.	Description	Depth	Length	Voltage	Amps	BTUs	Power Cord	Est. Ship Wt
BLACK EXTERIOR & INTERIOR								
R-OD42I-5-B-LED	Remote-Island Case	42.00"	60.00"	115	7.0	11,200	No	530
R-OD42I-7-B-LED	Remote-Island Case	42.00"	84.00"	115	7.0	13,200	No	663
STAINLESS STEEL EXTERIOR & INTERIOR								
R-OD42I-5-S-LED	Remote-Island Case	42.00"	60.00"	115	7.0	11,200	No	530
R-OD42I-7-S-LED	Remote-Island Case	42.00"	84.00"	115	7.0	13,200	No	663

-Recommended Operating Conditions – 75°F @ 55% Relative Humidity

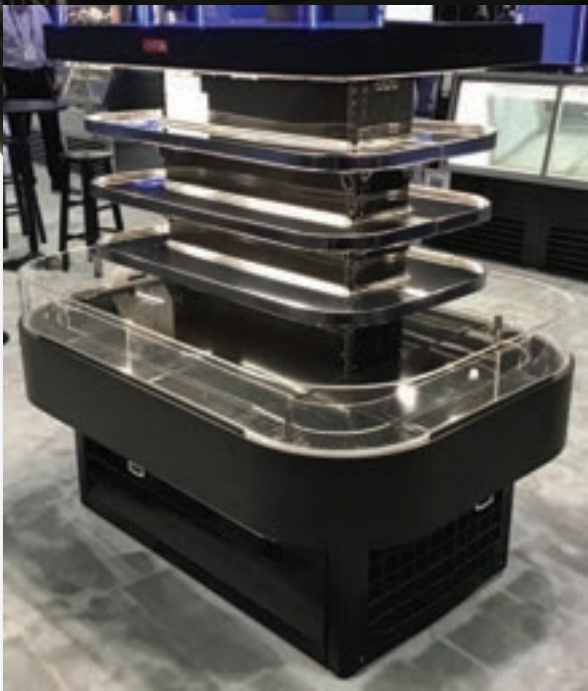
"MADE TO ORDER" DISCLAIMER:

"Added Options" on Howard McCray units are considered "MADE TO ORDER". They will require a deposit and cannot be cancelled or returned once the order has been confirmed.

This includes: Remote Units, Special Colors, and Line-ups of Multiple Units.

Recommended Operating Conditions – 75°F @ 55% Relative Humidity

60" High Island Case - LED Lights at Top Canopy



HMC Enterprises LLC

831 East Cayuga St. Philadelphia, PA 19124 USA • (215) 464-6800 • 1-800-344-8222
fax (215) 969-4890 • E-Mail: sales@howardmccray.com • www.howardmccray.com

SR/SF Series – Refrigerators & Freezers



REACH IN – REFRIGERATORS – 83" HIGH WITH CASTERS

Model No.	Description	Depth	Length	Voltage	Amps	HP	Power Cord	Est. Ship Wt
SR22	One Door	36.84"	26.50"	115	6.8	1/4	5-15P	328
SR48	Two Door	36.84"	52.25"	115	9.6	1/3	5-15P	516
SR75	Three Door	36.84"	78.00"	115	12.1	1/2	5-20P	720

STAINLESS STEEL EXTERIOR & INTERIOR

SR22-S	One Door	36.84"	26.50"	115	6.8	1/4	5-15P	328
SR48-S	Two Door	36.84"	52.25"	115	9.6	1/3	5-15P	516
SR75-S	Three Door	36.84"	78.00"	115	12.1	1/2	5-20P	720

PAN SLIDES

SR22-P	One Door	36.84"	26.50"	115	6.8	1/4	5-15P	328
SR48-P	Two Door	36.84"	52.25"	115	9.6	1/3	5-15P	516
SR75-P	Three Door	36.84"	78.00"	115	12.1	1/2	5-20P	720

REMOTES (INCLUDES EXPANSION VALVE & CONTROLLER)

Model No.	Description	Depth	Length	Voltage	Amps	BTUs	Power Cord	Est. Ship Wt
R-SR22	One Door	36.84"	26.50"	115	1.1	1000	No	328
R-SR48	Two Door	36.84"	52.25"	115	2.0	1900	No	516
R-SR75	Three Door	36.84"	78.00"	115	2.3	2300	No	720

Recommended Operating Conditions – 75°F @ 55% Relative Humidity

SR/SF Series – Refrigerators & Freezers

STANDARD FEATURES

- Stainless Steel Front, Grille & Doors
- Aluminum Interior & Outside Ends
- Edgemounted Self Closing Hinges
- 3 Epoxy Coated Shelves Per Door Opening
- Casters – 5"
- Electronic Controller Mounted to Front Grill
- UL Classified to ANSI/NSF 7

REACH IN – FREEZERS – 83" HIGH WITH CASTERS

Model No.	Description	Depth	Length	Voltage	Amps	HP	Power Cord	Est. Ship Wt
FROZEN FOODS (+5 TO -5F)								
SF22-FF	One Door	36.84"	26.50"	115	12.0	1/2	5-15P	373
SF48-FF	Two Door	36.84"	52.25"	115	16.0	1/2	5-20P	710
SF75-FF	Three Door	36.84"	78.00"	115/208-230	12.0	3/4	L14-20P	790

STAINLESS STEEL EXTERIOR & INTERIOR

SF22-S-FF	One Door	36.84"	26.50"	115	12.0	1/2	5-15P	373
SF48-S-FF	Two Door	36.84"	52.25"	115	16.0	1/2	5-20P	710
SF75-S-FF	Three Door	36.84"	78.00"	115/208-230	16.0	3/4	L14-20P	790

REMOTES (INCLUDES EXPANSION VALVE & CONTROLLER)

Model No.	Description	Depth	Length	Voltage	Amps	BTUs FF/LT	Power Cord	Est. Ship Wt
R-SF22	One Door	36.84"	26.50"	115	9.6	1556/1694	No	328
R-SF48	Two Door	36.84"	52.25"	115	14.0	2100/2400	No	516
R-SF75	Three Door	36.84"	78.00"	115/208-230	8.6	3400/2900	No	720

* BTUs – Frozen Foods (FF) @ -15° SST.



OPTIONS

Part No.	Description	Model	Quantity
Door-H	Door Swing Change	All	1
Casters-4	Set of 4 Casters	22/48	1
Casters-6	Set of 6 Casters	75	1
Legs-4	Set of 4 Legs-Black	22/48	1
Legs-6	Set of 6-Legs-Black	75	1
Legs-4S	Set of 4 Legs-Stainless	22/48	1
Legs-6S	Set of 6 Legs-Stainless	75	1
Shelf-SR-SF22	Extra Shelf-SR/SF22	SR/SF22	1
Shelf-SR-SF48	Extra Shelf-SR/SF48	SR/SF48	1
Shelf-SR-SF75E	Extra Shelf: Left or Right ends SR/SF75	SR/SF75	1
Shelf-SR-SF75C	Extra Shelf: Center-SR/SF75	SR/SF75	1
SR-9000-OE	Stainless Steel Outside Ends (2)	All	1
SR-9001-22	Stainless Steel Bottom Only-22	SR/SF22	1
SR-9001-48	Stainless Steel Bottom Only-48	SR/SF48	1
SR-9001-75	Stainless Steel Bottom Only-75	SR/SF75	1
PR-12	Universal Pan Racks 1 set-12 slots	All	1
PR-16	Universal Pan Racks 1 set-16 slots	All	1
PR-29	Universal Pan Racks 1 set-29 slots	All	1
20-206-P	Condensate Pan	All	1

"MADE TO ORDER" DISCLAIMER:

"Added Options" on Howard McCray units are considered "MADE TO ORDER". They will require a deposit and cannot be cancelled or returned once the order has been confirmed.

This includes: Remote Units, Special Colors, and Line-ups of Multiple Units.



HMC Enterprises LLC

831 East Cayuga St. Philadelphia, PA 19124 USA • (215) 464-6800 • 1-800-344-8222
 fax (215) 969-4890 • E-Mail: sales@howardmccray.com • www.howardmccray.com

GR/GF Series – Glass Door Merchandisers 83" High



STANDARD FEATURES

- Designer White, Glossy Black Aluminum or Stainless Steel**
- Automatic Condensate on Bottom Mount
- (4) Epoxy Coated Shelves Per Door
- Triple Pane Glass Doors
- Heavy Duty Edge Mounted Hinges
- Top or Bottom Mounted Condensing Unit
- 1, 2, 3 & 4 – Door Models
- 5" Casters on Top Mount
- Electronic Controller Mounted to Front Grill
- Energy Efficient LED Lighting Systems
- UL Classified to ANSI/NSF 7
- Remotes available – deduct 10%

**STAINLESS STEEL OPTION (UPCHARGE APPLIES)

GLASS DOOR REFRIGERATORS – HINGED – TOP MOUNT – 83" HIGH"

Model No.	Description	Depth	Length	Voltage	Amps	HP	Power Cord	Est. Ship Wt
WHITE EXTERIOR & INTERIOR								
GR22	One Door	36.50"	26.50"	115	10.2	1/3	5-15P	330
GR48	Two Door	36.50"	52.25"	115	11.0	1/3	5-15P	520
GR75	Three Door	36.50"	78.00"	115	13.8	1/2	5-20P	720
GR102	Four Door	36.50"	103.75"	115/208-230	6.4/7.1	3/4	L14-20P	980
BLACK EXTERIOR & INTERIOR								
GR22-B	One Door	36.50"	26.50"	115	10.2	1/3	5-15P	330
GR48-B	Two Door	36.50"	52.25"	115	11.0	1/3	5-15P	520
GR75-B	Three Door	36.50"	78.00"	115	13.8	1/2	5-20P	720
GR102-B	Four Door	36.50"	103.75"	115/208-230	6.4/7.1	3/4	L14-20P	980

GLASS DOORS REFRIGERATORS – HINGED – BOTTOM MOUNT – 82" HIGH

WHITE EXTERIOR & INTERIOR								
GR22BM	One Door	37.25"	26.50"	115	10.2	1/3	5-15P	330
GR48BM	Two Door	37.25"	52.25"	115	11.0	1/3	5-15P	520
GR75BM	Three Door	37.25"	78.00"	115	13.8	1/2	5-20P	720
GR102BM	Four Door	37.25"	103.75"	115/208-230	6.4/7.1	3/4	L14-20P	980
BLACK EXTERIOR & INTERIOR								
GR22BM-B	One Door	37.25"	26.50"	115	10.2	1/3	5-15P	330
GR48BM-B	Two Door	37.25"	52.25"	115	11.0	1/3	5-15P	520
GR75BM-B	Three Door	37.25"	78.00"	115	13.8	1/2	5-20P	720
GR102BM-B	Four Door	37.25"	103.75"	115/208-230	6.4/7.1	3/4	L14-20P	980

OPTIONS PAGE 11

Recommended Operating Conditions – 75°F @ 55% Relative Humidity

GR/GF Series – Glass Door Merchandisers 83" High

GLASS DOOR FROZEN FOOD FREEZERS – HINGED TOP MOUNT – 83" HIGH

Model No.	Description	Depth	Length	Voltage	Amps	HP	Power Cord	Est. Ship Wt
WHITE EXTERIOR & INTERIOR								
GF22-FF	One Door	36.50"	26.50"	115	16.0	1/2	5-20P	390
GF48-FF	Two Door	36.50"	52.25"	115/208-230	16.0	3/4	L14-20P	590
GF75-FF	Three Door	36.50"	78.00"	115/208-230	16.0	1	L14-20P	790
GF102-FF	Four Door	36.50"	103.75"	115/208-230	16.0/16.0	(2)3/4	(2)L14-20P	1174
BLACK EXTERIOR & INTERIOR								
GF22-FF-B	One Door	36.50"	26.50"	115	16.0	1/2	5-20P	390
GF48-FF-B	Two Door	36.50"	52.25"	115/208-230	16.0	3/4	L14-20P	590
GF75-FF-B	Three Door	36.50"	78.00"	115/208-230	16.0	1	L14-20P	790
GF102-FF-B	Four Door	36.50"	103.75"	115/208-230	16.0/16.0	(2)3/4	(2)L14-20P	1174

GLASS DOORS FROZEN FOOD FREEZERS – HINGED BOTTOM MOUNT – 82" HIGH"

WHITE EXTERIOR & INTERIOR								
GF22BM-FF	One Door	35.88"	26.50"	115	16.0	1/2	5-20P	390
GF48BM-FF	Two Door	35.88"	52.25"	115/208-230	16.0	3/4	L14-20P	590
GF75BM-FF	Three Door	35.88"	78.00"	115/208-230	16.0	1	L14-20P	790
GF102BM-FF	Four Door	35.88"	103.75"	115/208-230	16.0/16.0	(2)3/4	(2)L14-20P	1174
BLACK EXTERIOR & INTERIOR								
GF22BM-FF-B	One Door	35.88"	26.50"	115	16.0	1/2	5-20P	390
GF48BM-FF-B	Two Door	35.88"	52.25"	115/208-230	16.0	3/4	L14-20P	590
GF75BM-FF-B	Three Door	35.88"	78.00"	115/208-230	16.0	1	L14-20P	790
GF102BM-FF-B	Four Door	35.88"	103.75"	115/208-230	16.0/16.0	(2)3/4	(2)L14-20P	1174

Recommended Operating Conditions – 75°F @ 55% Relative Humidity

OPTIONS PAGE 11



HMC Enterprises LLC

831 East Cayuga St. Philadelphia, PA 19124 USA • (215) 464-6800 • 1-800-344-8222
 fax (215) 969-4890 • E-Mail: sales@howardmccray.com • www.howardmccray.com

GR/GF – Glass Door Merchandisers 78.5" High



Recommended Operating Conditions – 75°F @ 55% Relative Humidity

GR/GF – Glass Door Merchandisers 78.5" High

STANDARD FEATURES

- Designer White, Glossy Black Aluminum or Stainless Steel
- Automatic Condensate on Bottom Mount
- (4) Epoxy Coated Shelves Per Door
- Triple Pane Glass Doors
- 1, 2, 3 & 4 – Door Models
- Heavy Duty Edge Mounted Hinges
- Bottom Mounted Condensing Unit
- Energy Efficient LED Lighting Systems
- UL Classified to ANSI/NSF 7
- Remotes available – deduct 10%
- Expansion Valve

GLASS DOORS REFRIGERATORS – HINGED – BOTTOM MOUNT – 78.5" HIGH

Model No.	Description	Depth	Length	Voltage	Amps	HP	Power Cord	Est. Ship Wt
WHITE EXTERIOR & INTERIOR								
GR19BM	One Door	34.25"	26.50"	115	10.2	1/3	5-15P	330
GR42BM	Two Door	34.25"	52.25"	115	11.0	1/3	5-15P	520
GR65BM	Three Door	34.25"	78.00"	115	13.8	1/2	5-20P	720
GR88BM	Four Door	34.25"	103.75"	115/208-230	6.40/7.10	3/4	L14-20P	1248
BLACK EXTERIOR & INTERIOR								
GR19BM-B	One Door	34.25"	26.50"	115	10.2	1/3	5-15P	330
GR42BM-B	Two Door	34.25"	52.25"	115	11.0	1/3	5-15P	520
GR65BM-B	Three Door	34.25"	78.00"	115	13.8	1/2	5-20P	720
GR88BM-B	Four Door	34.25"	103.75"	115/208-230	6.40/7.10	3/4	L14-20P	1248
STAINLESS STEEL EXTERIOR & INTERIOR								
GR19BM-S	One Door	34.25"	26.50"	115	10.2	1/3	5-15P	330
GR42BM-S	Two Door	34.25"	52.25"	115	11.0	1/3	5-15P	520
GR65BM-S	Three Door	34.25"	78.00"	115	13.8	1/2	5-20P	720
GR88BM-S	Four Door	34.25"	103.75"	115/208-230	6.40/7.10	3/4	L14-20P	1248

GLASS DOORS FOOD FREEZERS – HINGED – BOTTOM MOUNT – 78.5" HIGH

Model No.	Description	Depth	Length	Voltage	Amps	HP	Power Cord	Est. Ship Wt
WHITE EXTERIOR & INTERIOR								
GF19BM-FF	One Door	38.688"	26.50"	115	16.0	1/2	5-20P	390
GF42BM-FF	Two Door	34.25"	52.25"	115/208-230	16.0	3/4	L14-20P	590
GF65BM-FF	Three Door	34.25"	78.00"	115/208-230	16.0	1	L14-20P	790
GF88BM-FF	Four Door	34.25"	103.75"	115/208-230	16.0/16.0	(2) 3/4	(2)L14-20P	1174
BLACK EXTERIOR & INTERIOR								
GF19BM-B-FF	One Door	38.688"	26.50"	115	16.0	1/2	5-20P	390
GF42BM-B-FF	Two Door	34.25"	52.25"	115/208-230	16.0	3/4	L14-20P	590
GF65BM-B-FF	Three Door	34.25"	78.00"	115/208-230	16.0	1	L14-20P	790
GF88BM-B-FF	Four Door	34.25"	103.75"	115/208-230	16.0/16.0	(2) 3/4	(2)L14-20P	1174
STAINLESS STEEL EXTERIOR & INTERIOR								
GF19BM-S-FF	One Door	38.688"	26.50"	115	16.0	1/2	5-20P	390
GF42BM-S-FF	Two Door	34.25"	52.25"	115/208-230	16.0	3/4	L14-20P	590
GF65BM-S-FF	Three Door	34.25"	78.00"	115/208-230	16.0	1	L14-20P	790
GF88BM-S-FF	Four Door	34.25"	103.75"	115/208-230	16.0/16.0	(2) 3/4	(2)L14-20P	1174

Recommended Operating Conditions – 75°F @ 55% Relative Humidity

OPTIONS PAGE 11



HMC Enterprises LLC

831 East Cayuga St. Philadelphia, PA 19124 USA • (215) 464-6800 • 1-800-344-8222
 fax (215) 969-4890 • E-Mail: sales@howardmccray.com • www.howardmccray.com

GR/GF Series – Options

OPTIONS

Part No.	Description	Model
GR-9000-22	Stainless Steel Exterior Ends, Grill & Frame	GR/GF 22/19
GR-9000-48	Stainless Steel Exterior Ends, Grill & Frame	GR/GF 48/42
GR-9000-75	Stainless Steel Exterior Ends, Grill & Frame	GR/GF 75/65
GR-9000-102	Stainless Steel Exterior Ends, Grill & Frame	GR/GF 102/88
GR-9001-22	Stainless Steel Interior	GR/GF 22/19
GR-9001-48	Stainless Steel Interior	GR/GF 48/42
GR-9001-75	Stainless Steel Interior	GR/GF 75/65
GR-9001-102	Stainless Steel Interior	GR/GF 102/88
Shelf-GR	Epoxy Coated Shelf with Clips	GR/GF 22,48,75,102
Shelf22G	Epoxy Coated Shelf with Clips	GR/GF22
Shelf48G	Epoxy Coated Shelf with Clips	GR/GF48
Shelf75GE	Epoxy Coated Shelf with Clips	GR/GF 75 (R or L door)
Shelf75GC	Epoxy Coated Shelf with Clips	GR/GF 75 (Center door)
Shelf102GE	Epoxy Coated Shelf with Clips	GR/GF 102 (R or L door)
Shelf102GC	Epoxy Coated Shelf with Clips	GR/GF 102 (Center door)
Shelf19G	Cantilever Shelf	GR/GF19
Shelf42G-CS	Cantilever Shelf	GR/GF42
Shelf65GE-CS	Cantilever Shelf	GR/GF65(R or L door)
Shelf65GC-CS	Cantilever Shelf	GR/GF65(Center door)
Shelf88-GE-CS	Cantilever Shelf	GR/GF88(R or L door)
Shelf88GC-CS	Cantilever Shelf	GR/GF88(Center door)
PT-GF/GR-B	Product Tag Molding Black-Snap on	ALL GR/GGF-Per Shelf
PT-GF/GR	Product Tag Modling White-Snap on	ALL GR/GGF-Per Shelf
DL-48S	Slider Door Locks	GSR48-Per 2 Door
DL-75S	Slider Door Locks	GSR75-Per 3 Door
DL-102S	Slider Door Locks	GSR102-Per 4 Door
DL-22	Hinged Door Locks	GR/GF19, 22-Per 1 Door
DL-48	Hinged Door Locks	GR/GF42, 48-Per 2 Doors
DL-75	Hinged Door Locks	GR/GF65, 75-Per 3 Doors
DL-102	Hinged Door Locks	GR/GF88-102-Per 4 Doors
DS-GR/GF	Door Swing Change	All-Per Door
Legs-4	Legs 6" Set of 4 (Black)	All 1 and 2 Doors
Legs-6	Legs 6" Set of 6 (Black)	All 3 Doors
Legs-8	Legs 6" Set of 8 (Black)	All 4 Doors
Legs-4S	Legs 6" Set of 4 (Stainless Steel)	All 1 and 2 Doors
Legs-6S	Legs 6" Set of 6 (Stainless Steel)	All 3 Doors
Legs-8S	Legs 6" Set of 8 (Stainless Steel)	All 4 Doors
Casters-4	Set of 4 Casters	All 1 and 2 Doors
Casters-6	Set of 6 Casters	All 3 Doors
Casters-8	Set of 8 Casters	All 4 Doors
21-014-S	Temperature Control	All Remotes
SV-GR	Solenoid Valve	Remote GRs
SV-GF	Solenoid Valve	Remote GFs



"MADE TO ORDER" DISCLAIMER:

"Added Options" on Howard McCray units are considered "MADE TO ORDER". They will require a deposit and cannot be cancelled or returned once the order has been confirmed.

This includes: Remote Units, Special Colors, and Line-ups of Multiple Units.

Recommended Operating Conditions - 75°F @ 55% Relative Humidity

GLASS DOOR MERCHANDISERS



HMC Enterprises LLC

831 East Cayuga St. Philadelphia, PA 19124 USA • (215) 464-6800 • 1-800-344-8222
fax (215) 969-4890 • E-Mail: sales@howardmccray.com • www.howardmccray.com

New Rear Loading OD Series 30E Open Merchandiser Multipurpose – 72" High

HOWARD McCRAY ANNOUNCES THE NEW REAR LOADING 30E SERIES OPEN MERCHANDISERS.

Building on the Popularity of our 30E Multipurpose design, we are adding the functionality and convenience of REAR-LOADING doors. The OD30E models are 72" in height.



STANDARD FEATURES

- **NEW** Sliding and Hinged Rear Access Doors
- UL Classified to ANSI/NSF 7
- Multi deck
- Endless design
- white, Black or stainless steel exterior
- rear doors (hinged units)
- 3 levels of lit shelving
- 4 levels of product display
- Mirrored client view on slider models
- 1" bumper
- Choice of end panels
- Self Contained - R448A expansion valve system
- Remote - R448A expansion valve system
- UL/CUL listed

OPTIONAL FEATURES

- Night covers
- Colored bumper
- Stainless steel, laminated or paint
- Product stops on shelving
- Digital thermometer
- Casters or legs
- Evaporator Pan
- Laminate, and custom paints available



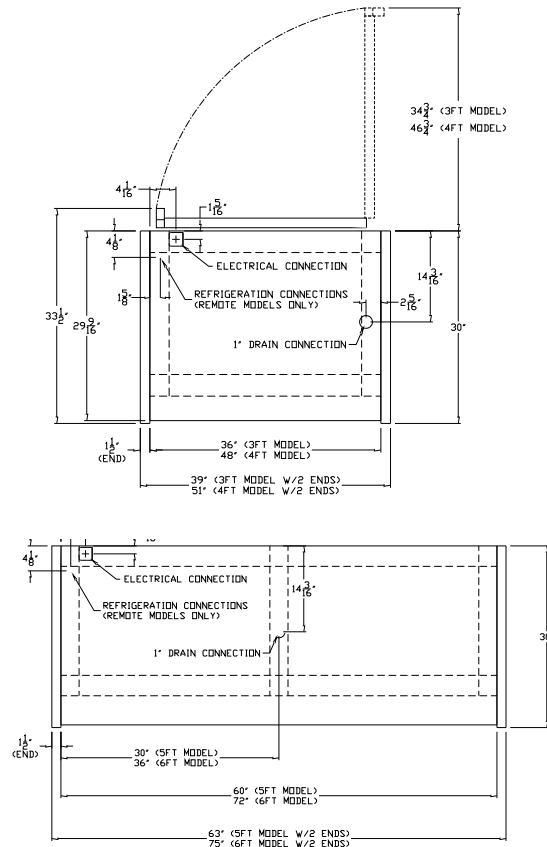
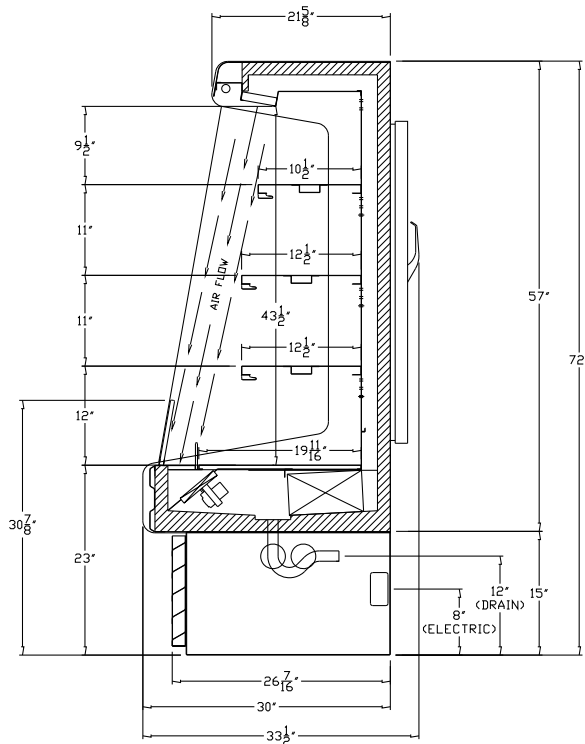
Recommended Operating Conditions – 75°F @ 55% Relative Humidity

New Rear Loading OD Series 30E Open Merchandiser – Multipurpose – 72" High

OPEN MERCHANDISER – MULTIPURPOSE – 72" HIGH – LED LIT

Model No.	Description	Length	Depth	Height	Voltage	Amps	HP/BTUs	Power Cord	Est. Ship Weight
SC-OD30E-3-B-SW	Self Contained	39.00"	33.50"	72.00"	115	12.0	1/2	5-15P	555
SC-OD30E-4-B-SW	Self Contained	51.00"	33.50"	72.00"	115	13.7	1/2	5-20P	640
SC-OD30E-4-B-SL	Self Contained	51.00"	30.50"	72.00"	115	13.7	1/2	5-20P	680
SC-OD30E-5-B-SL	Self Contained	63.00"	30.50"	72.00"	115/208-230	13.1	1	L14-20P	810
SC-OD30E-6-B-SL	Self Contained	75.00"	30.50"	72.00"	115/208-230	13.1	1	L14-20P	940
SC-OD30E-3-S-SW	Self Contained	39.00"	33.50"	72.00"	115	12.0	1/2	5-15P	555
SC-OD30E-4-S-SW	Self Contained	51.00"	33.50"	72.00"	115	13.7	1/2	5-20P	640
SC-OD30E-4-S-SL	Self Contained	51.00"	30.50"	72.00"	115	13.7	1/2	5-20P	680
SC-OD30E-5-S-SL	Self Contained	63.00"	30.50"	72.00"	115/208-230	13.1	1	L14-20P	810
SC-OD30E-6-S-SL	Self Contained	75.00"	30.50"	72.00"	115/208-230	13.1	1	L14-20P	940
R-OD30E-3-B-SW	Remote*	39.00"	30.00"	72.00"	115	1.4	3900	NO	500
R-OD30E-4-B-SW	Remote*	51.00"	30.00"	72.00"	115	2.2	5200	NO	580
R-OD30E-4-B-SL	Remote*	51.00"	30.00"	72.00"	115	2.2	5200	NO	620
R-OD30E-5-B-SL	Remote*	63.00"	30.00"	72.00"	115	2.8	6500	NO	730
R-OD30E-6-B-SL	Remote*	75.00"	30.00"	72.00"	115	2.8	7800	NO	865
R-OD30E-3-S-SW	Remote*	39.00"	30.00"	72.00"	115	1.4	3900	NO	500
R-OD30E-4-S-SW	Remote*	51.00"	30.00"	72.00"	115	2.2	5200	NO	580
R-OD30E-4-S-SL	Remote*	51.00"	30.00"	72.00"	115	2.2	5200	NO	620
R-OD30E-5-S-SL	Remote*	63.00"	30.00"	72.00"	115	2.8	6500	NO	730
R-OD30E-6-S-SL	Remote*	75.00"	30.00"	72.00"	115	2.8	7800	NO	865

SW = SWING (Hinged) DOOR
SL = SLIDING DOOR



New Rear Loading OD Series 35E Open Merchandiser – Multipurpose – 78.5" High

HOWARD McCRAY ANNOUNCES THE NEW REAR LOADING 35E SERIES OPEN MERCHANDISERS.

Building on the Popularity of our 30E & 35E Multipurpose design, we are adding the functionality and convenience of REAR-LOADING doors.

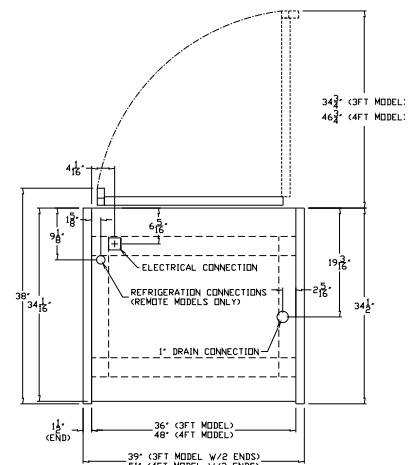


STANDARD FEATURES

- **NEW** Sliding and Hinged Rear Access Doors
- UL Classified to ANSI/NSF 7
- Multi deck
- Endless design
- White, Black or Stainless Steel exterior
- rear doors (hinged units)
- 4 levels of lit shelving
- 5 levels of product display
- Mirrored client view on slider models
- 1" bumper
- Choice of end panels
- Self Contained - R448A expansion valve system
- Remote - R448A expansion valve system
- UL/CUL listed

OPTIONAL FEATURES

- Night covers
- Colored bumper
- Stainless steel, laminated or paint
- Product stops on shelving
- Digital thermometer
- Casters or legs
- Evaporator Pan
- Laminate, and custom paints available



Recommended Operating Conditions – 75°F @ 55% Relative Humidity

New Rear Loading OD Series 35E Open Merchandiser – Multipurpose – 78.5" High

Model No.	Description	Length	Depth	Height	Voltage	Amps	HP/BTUs	Power Cord	Est. Ship Weigh
SC-OD35E-3-B-SW	Self Contained	39.00"	36.50"	78.50"	115	12.0	1/2	5-15P	700
SC-OD35E-4-B-SW	Self Contained	51.00"	36.50"	78.50"	115	13.7	3/4	5-20P	965
SC-OD35E-4-B-SL	Self Contained	51.00"	34.50"	78.50"	115	13.7	3/4	5-20P	965
SC-OD35E-5-B-SL	Self Contained	63.00"	34.50"	78.50"	115/208-230	13.1	1	L14-20P	1175
SC-OD35E-6-B-SL	Self Contained	75.00"	34.50"	78.50"	115/208-230	13.1	1	L14-20P	1175
SC-OD35E-3-S-SW	Self Contained	39.00"	36.50"	78.50"	115	12.0	1/2	5-15P	700
SC-OD35E-4-S-SW	Self Contained	51.00"	36.50"	78.50"	115	13.7	3/4	5-20P	965
SC-OD35E-4-S-SL	Self Contained	51.00"	34.50"	78.50"	115	13.7	3/4	5-20P	965
SC-OD35E-5-S-SL	Self Contained	63.00"	34.50"	78.50"	115/208-230	13.1	1	L14-20P	1175
SC-OD35E-6-S-SL	Self Contained	75.00"	34.50"	78.50"	115/208-230	13.1	1	L14-20P	1175
R-OD35E-3-B-SW	Remote	39.00"	36.50"	78.50"	115	1.4	4906	NO	575
R-OD35E-4-B-SW	Remote	51.00"	36.50"	78.50"	115	2.2	6542	NO	790
R-OD35E-4-B-SL	Remote	51.00"	34.50"	78.50"	115	2.2	6542	NO	790
R-OD35E-5-B-SL	Remote	63.00"	34.50"	78.50"	115	2.8	8178	NO	895
R-OD35E-6-B-SL	Remote	75.00"	34.50"	78.50"	115	2.8	9813	NO	895
R-OD35E-3-S-SW	Remote	39.00"	36.50"	78.50"	115	1.4	4906	NO	575
R-OD35E-4-S-SW	Remote	51.00"	36.50"	78.50"	115	2.2	6542	NO	790
R-OD35E-4-S-SL	Remote	51.00"	34.50"	78.50"	115	2.2	6542	NO	790
R-OD35E-5-S-SL	Remote	63.00"	34.50"	78.50"	115	2.8	8178	NO	895
R-OD35E-6-S-SL	Remote	75.00"	34.50"	78.50"	115	2.8	9813	NO	895

Model No.	Description	Length	Depth	Height	Voltage	Amps	HP/BTUs	Power Cord	Est. Ship Weigh
SC-OD35E-3S-B-SW	Self Contained	39.00"	36.50"	78.50"	115	12.0	1/2	5-15P	700
SC-OD35E-4S-B-SW	Self Contained	51.00"	36.50"	78.50"	115	13.7	3/4	5-20P	965
SC-OD35E-4S-B-SL	Self Contained	51.00"	34.50"	78.50"	115	13.7	3/4	5-20P	965
SC-OD35E-5S-B-SL	Self Contained	63.00"	34.50"	78.50"	115/208-230	13.1	1	L14-20P	1175
SC-OD35E-6S-B-SL	Self Contained	75.00"	34.50"	78.50"	115/208-230	13.1	1	L14-20P	1175
SC-OD35E-3S-S-SW	Self Contained	39.00"	36.50"	78.50"	115	12.0	1/2	5-15P	700
SC-OD35E-4S-S-SW	Self Contained	51.00"	36.50"	78.50"	115	13.7	3/4	5-20P	965
SC-OD35E-4S-S-SL	Self Contained	51.00"	34.50"	78.50"	115	13.7	3/4	5-20P	965
SC-OD35E-5S-S-SL	Self Contained	63.00"	34.50"	78.50"	115/208-230	13.1	1	L14-20P	1175
SC-OD35E-6S-S-SL	Self Contained	75.00"	34.50"	78.50"	115/208-230	13.1	1	L14-20P	1175
R-OD35E-3S-B-SW	Remote	39.00"	36.50"	78.50"	115	1.4	4906	NO	575
R-OD35E-4S-B-SW	Remote	51.00"	36.50"	78.50"	115	2.2	6542	NO	790
R-OD35E-4S-B-SL	Remote	51.00"	34.50"	78.50"	115	2.2	6542	NO	790
R-OD35E-5S-B-SL	Remote	63.00"	34.50"	78.50"	115	2.8	8178	NO	895
R-OD35E-6S-B-SL	Remote	75.00"	34.50"	78.50"	115	2.8	9813	NO	895
R-OD35E-3S-S-SW	Remote	39.00"	36.50"	78.50"	115	1.4	4906	NO	575
R-OD35E-4S-S-SW	Remote	51.00"	36.50"	78.50"	115	2.2	6542	NO	790
R-OD35E-4S-S-SL	Remote	51.00"	34.50"	78.50"	115	2.2	6542	NO	790
R-OD35E-5S-S-SL	Remote	63.00"	34.50"	78.50"	115	2.8	8178	NO	895
R-OD35E-6S-S-SL	Remote	75.00"	34.50"	78.50"	115	2.8	9813	NO	895

XS = SLANT MODEL
SW = SWING (Hinged) DOOR
SL = SLIDING DOOR



New MAX Display 35E Series Open Merchandisers Multipurpose, Endless Design – (SC) 74" High (R) 60" High



SC-OD35E-4L-LB-B
*ARTIST RENDERING



R-OD35E-4L-LB-B
ARTIST RENDERING

STANDARD FEATURES

- **NEW** Lower base, maximizes display space
- Self contained and remote
- Black exterior and interior
- Heavy gauge steel super structure
- Multi deck
- Endless design
- 1" bumper
- 4" curved plexi end panels
- LED lighting
- Full length lighting at top of unit
- 3 rows of lighted shelving
- 4 levels of product display
- Electronic control system to maintain balanced temperatures (SC)
- Tag molding on each shelf
- Unit comes with cord and plug (SC)
- UL/CUL listed

OPTIONAL FEATURES

- Wide view curved plexi end panels
- Night covers
- Product stops on shelving
- Digital thermometer
- Condensate pan and pump kit

Model No.	Description	Length	Depth	Height	Voltage	Amps	HP/ BTUs	Power Cord	Est. Ship Weight
SC-OD35E-4L-LB-B	Self Contained	51.00"	34.50"	74.00"	115/208-230	13.0	1/2	L14-20P	895
R-OD35E-4L-LB-B	Remote	51.00"	34.50"	60.00"	115	3.0	4733	No	585

Recommended Operating Conditions – 75°F @ 55% Relative Humidity

New MAX Display 35E Series Open Merchandisers Remote, Multipurpose, Endless Design – 78.5" High



SC-OD35E-6-LB-W
CUSTOM INSTALLATION

STANDARD FEATURES

- **NEW** Lower Base, Maximizes Display Space
- REMOTE ONLY
- Black exterior and interior
- Heavy gauge steel super structure
- Multi deck
- Endless design
- 1" bumper
- 16" Straight plexi end panels
- LED lighting
- Full length lighting at top of unit

- 4 rows of lighted shelving
- 5 levels of product display
- Price tag molding on each shelf
- Solenoid valve & electronic controller
- UL/CUL listed

OPTIONAL FEATURES

- Night covers
- Product stops on shelving
- Digital thermometer
- Condensate pan and pump kit

Model No.	Description	Length	Depth	Height	Voltage	Amps	BTUs	Power Cord	Est. Ship Weight
R-OD35E-4-LB-B	Remote	51.00"	34.50"	78.50"	115	3.0	7238	NO	790
R-OD35E-6-LB-B	Remote	75.00"	34.50"	78.50"	115	4.0	10813	NO	1040
R-OD35E-8-LB-B	Remote	99.00"	34.50"	78.50"	115	6.0	14083	NO	1580
SC-OD35E-6-LB-HB (Hybrid)	Self Contained	75.00"	34.50"	91.00"	115/208-230	16.0	1/2	L14-20P	1105

HMC Enterprises LLC

831 East Cayuga St. Philadelphia, PA 19124 USA • (215) 464-6800 • 1-800-344-8222
fax (215) 969-4890 • E-Mail: sales@howardmccray.com • www.howardmccray.com

New MAX Display 35E Series Open Merchandisers Produce, Endless Design – (SC) 74" High (R) 60" High



SC-OP35E-4L-LB-B
*ARTIST RENDERING

R-OP35E-4L-LB-B
ARTIST RENDERING

STANDARD FEATURES

- **NEW** Lower base, maximizes display space
- Self contained and remote
- Black exterior and interior
- Heavy gauge steel super structure
- Multi deck
- Endless design
- 1" bumper
- 4" Curved plexi end panels
- LED lighting
- Full length lighting at top of unit
- 2 rows of lighted shelving
- 3 levels of product display
- Full length mirror to enhance product display
- Electronic control system to maintain balanced temperatures (SC)
- Tag molding on each shelf
- Unit comes with cord and plug (SC)
- UL/CUL listed

OPTIONAL FEATURES

- Wide view curved plexi end panels
- Night covers
- Digital thermometer
- Condensate pan and pump kit

Model No.	Description	Length	Depth	Height	Voltage	Amps	HP/ BTUs	Power Cord	Est. Ship Weight
SC-OP35E-4L-LB-B	Self Contained	51.00"	34.50"	74.00"	115/208-230	13.0	1/2	L14-20P	895
R-OP35E-4L-LB-B	Remote	51.00"	34.50"	60.00"	115	3.0	4733	No	550

Recommended Operating Conditions – 75°F @ 55% Relative Humidity



New MAX Display 35E Series Open Merchandisers Remote, Produce, Endless Design – 78.5" High



STANDARD FEATURES

- **NEW** Lower Base, Maximizes Display Space
- REMOTE ONLY
- Black, exterior & interior
- Heavy gauge steel super structure
- Multi deck
- Endless design
- 1" bumper
- 16" Straight plexi end panels
- LED lighting
- Full length lighting at top of unit
- 3 rows of lighted shelving
- 4 levels of product display
- Full length mirror to enhance product display
- Price tag molding on each shelf
- UL/CUL listed

OPTIONAL FEATURES

- Night covers
- Condensate pan and pump kit
- Digital thermometer

R-OP35E-4-LB-B
ARTIST RENDERING

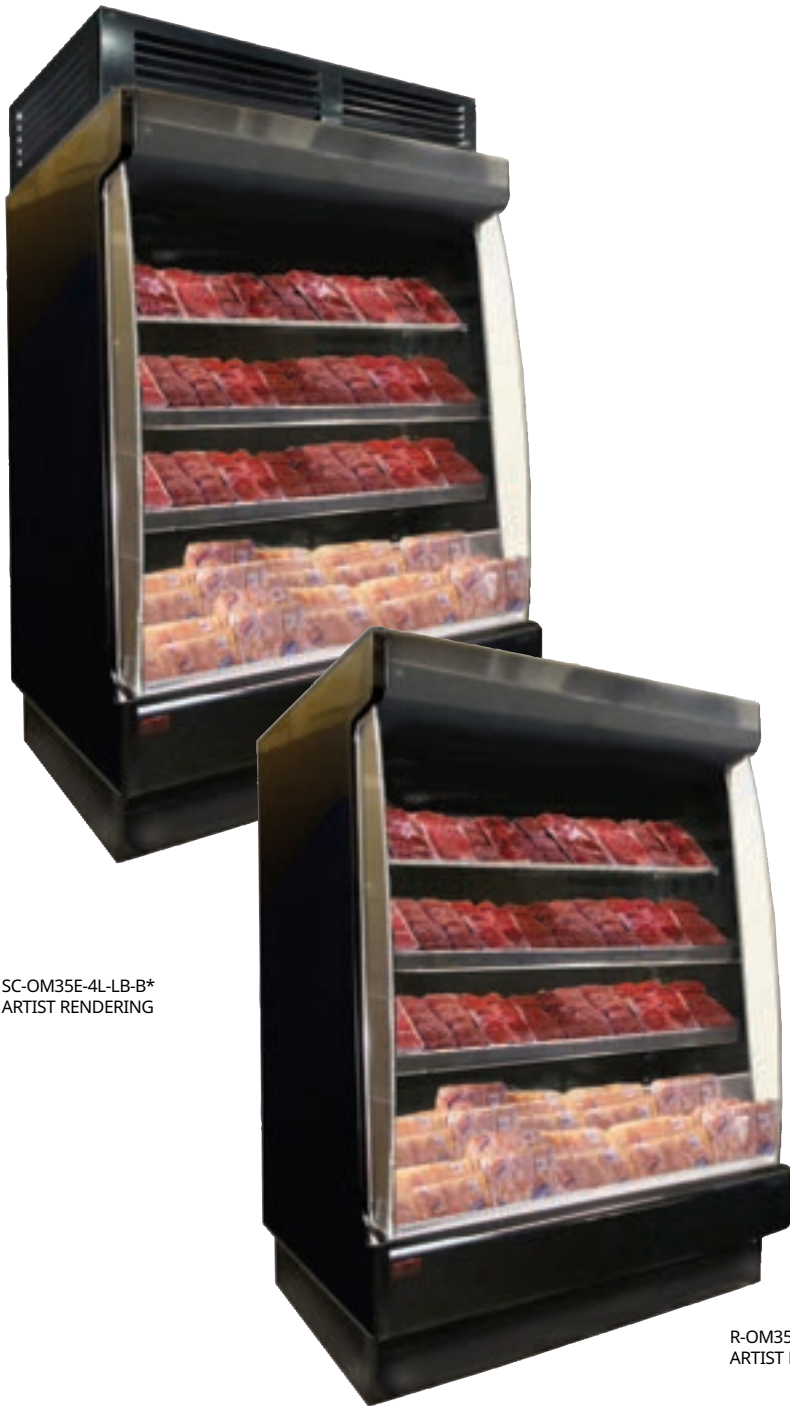
Model No.	Description	Length	Depth	Height	Voltage	Amps	BTUs	Power Cord	Est. Ship Weight
R-OP35E-4-LB-B	Remote	51.00"	34.50"	78.50"	115	3.0	7238	NO	831
R-OP35E-6-LB-B	Remote	75.00"	34.50"	78.50"	115	4.0	10,813	NO	1040
R-OP35E-8-LB-B	Remote	99.00"	34.50"	78.50"	115	4.0	14100	NO	1580



HMC Enterprises LLC

831 East Cayuga St. Philadelphia, PA 19124 USA • (215) 464-6800 • 1-800-344-8222
fax (215) 969-4890 • E-Mail: sales@howardmccray.com • www.howardmccray.com

New MAX Display 35E Series Open Merchandisers Packaged Meat, Endless Design – (SC) 74" High (R) 60" High



SC-OM35E-4L-LB-B*
ARTIST RENDERING

R-OM35E-4L-LB-B*
ARTIST RENDERING

STANDARD FEATURES

- **NEW** Lower base, maximizes display space
- Self contained and remote
- Black exterior and interior
- Heavy gauge steel super structure
- Multi deck
- Endless design
- 1" bumper
- 4" Curved plexi end panels
- LED lighting
- Full length lighting at top of unit
- 3 rows of lighted shelving
- 4 levels of product display
- Full length mirror to enhance product display
- Electronic control system to maintain balanced temperatures (SC)
- Tag molding on each shelf
- Unit comes with cord and plug (SC)
- UL/CUL listed

OPTIONAL FEATURES

- Wide view curved plexi end panels
- Night covers
- Digital thermometer
- Condensate pan and pump kit

Model No.	Description	Length	Depth	Height	Voltage	Amps	HP/ BTUs	Power Cord	Est. Ship Weight
SC-OM35E-4L-LB-B	Self Contained	51.00"	34.50"	74.00"	115/208-230	13.0	1/2	L14-20P	895
R-OM35E-4L-LB-B	Remote	51.00"	34.50"	60.00"	115	3.0	4733	No	550

Recommended Operating Conditions – 75°F @ 55% Relative Humidity

New MAX Display 35E Series Open Merchandisers Remote, Packaged Meat, Endless Design – 78.5" High



STANDARD FEATURES

- **NEW** Lower Base, Maximizes Display Space
- REMOTE ONLY
- Black, exterior & interior
- Heavy gauge steel super structure
- Multi deck
- Endless design
- 1" bumper
- 16" Straight plexi end panels
- LED lighting
- Full length lighting at top of unit
- 4 rows of lighted shelving
- 5 levels of product display
- Full length mirror to enhance product display
- Price tag molding on each shelf
- UL/CUL listed

OPTIONAL FEATURES

- Night covers
- Condensate pan and pump kit
- Digital thermometer

R-OM35E-4-LB-B
ARTIST RENDERING

Model No.	Description	Length	Depth	Height	Voltage	Amps	BTUs	Power Cord	Est. Ship Weight
R-OM35E-4-LB-B	Remote	51.00"	34.50"	78.50"	115	3.0	7238	NO	831
R-OM35E-6-LB-B	Remote	75.00"	34.50"	78.50"	115	4.0	10,813	NO	1040
R-OM35E-8-LB-B	Remote	99.00"	34.50"	78.50"	115	4.0	14,100	NO	1580

HMC Enterprises LLC

831 East Cayuga St. Philadelphia, PA 19124 USA • (215) 464-6800 • 1-800-344-8222
fax (215) 969-4890 • E-Mail: sales@howardmccray.com • www.howardmccray.com

OS Series 30E – Open Merchandiser Multipurpose – 44" High



STANDARD FEATURES

- Designer White, Glossy Black Aluminum or Stainless Steel
- Endless Design for Continuous Lineups
- High Impact Bumper
- Automatic Condensate Pan
- Removable Step Shelf
- Easy Access Front Panel for Serviceability
- Wide View Plexiglas Front & Straight Sides
- Electronic Control System to Maintain Balanced Temperatures
- Energy Efficient LED Lighting Systems
- UL Classified to ANSI/NSF 7
- Night cover included

OPEN MERCHANDISER – MULTIPURPOSE – 44" HIGH

Model No.	Description	Depth	Length	Voltage	Amps	HP	Power Cord	Est. Ship Wt
WHITE EXTERIOR & INTERIOR								
SC-OS30E-3	Self contained	30.00"	39.00"	115	12.0	1/2	5-15P	445
SC-OS30E-4	Self contained	30.00"	51.00"	115	13.1	1/2	5-20P	475
SC-OS30E-5	Self contained	30.00"	63.00"	115	16.0	3/4	5-20P	500
SC-OS30E-6	Self contained	30.00"	75.00"	115	16.0	3/4	5-20P	525
BLACK EXTERIOR & INTERIOR								
SC-OS30E-3-B	Self contained	30.00"	39.00"	115	12.0	1/2	5-15P	445
SC-OS30E-4-B	Self contained	30.00"	51.00"	115	13.1	1/2	5-20P	475
SC-OS30E-5-B	Self contained	30.00"	63.00"	115	16.0	3/4	5-20P	500
SC-OS30E-6-B	Self contained	30.00"	75.00"	115	16.0	3/4	5-20P	525
STAINLESS STEEL EXTERIOR & INTERIOR								
SC-OS30E-3-S	Self contained	30.00"	39.00"	115	12.0	1/2	5-15P	445
SC-OS30E-4-S	Self contained	30.00"	51.00"	115	13.1	1/2	5-20P	475
SC-OS30E-5-S	Self contained	30.00"	63.00"	115	16.0	3/4	5-20P	500
SC-OS30E-6-S	Self contained	30.00"	75.00"	115	16.0	3/4	5-20P	525

Recommended Operating Conditions – 75°F @ 55% Relative Humidity

OS Series 30E – Open Merchandiser Multipurpose – 44" High

OPEN MERCHANDISER – MULTIPURPOSE – 44" HIGH – LED LIT

Model No.	Description	Depth	Length	Voltage	Amps	HP	Power Cord	Est. Ship Wt
WHITE EXTERIOR & INTERIOR								
SC-OS30E-3-LED	Self contained	30.00"	39.00"	115	12.0	1/2	5-15P	445
SC-OS30E-4-LED	Self contained	30.00"	51.00"	115	13.1	1/2	5-20P	475
SC-OS30E-5-LED	Self contained	30.00"	63.00"	115	16.0	3/4	5-20P	500
SC-OS30E-6-LED	Self contained	30.00"	75.00"	115	16.0	3/4	5-20P	525
BLACK EXTERIOR & INTERIOR								
SC-OS30E-3-B-LED	Self contained	30.00"	39.00"	115	12.0	1/2	5-15P	445
SC-OS30E-4-B-LED	Self contained	30.00"	51.00"	115	13.1	1/2	5-20P	475
SC-OS30E-5-B-LED	Self contained	30.00"	63.00"	115	16.0	3/4	5-20P	500
SC-OS30E-6-B-LED	Self contained	30.00"	75.00"	115	16.0	3/4	5-20P	525
STAINLESS STEEL EXTERIOR & INTERIOR								
SC-OS30E-3-S-LED	Self contained	30.00"	39.00"	115	12.0	1/2	5-15P	445
SC-OS30E-4-S-LED	Self contained	30.00"	51.00"	115	13.1	1/2	5-20P	475
SC-OS30E-5-S-LED	Self contained	30.00"	63.00"	115	16.0	3/4	5-20P	500
SC-OS30E-6-S-LED	Self contained	30.00"	75.00"	115	16.0	3/4	5-20P	525

OPEN MERCHANDISER – MULTIPURPOSE – 44" HIGH – REMOTES

Model No.	Description	Depth	Length	Voltage	Amps	BTUs	Power Cord	Est. Ship Wt
WHITE EXTERIOR & INTERIOR								
R-OS30E-3	Remote	30.00"	39.00"	115	0.7	3100	No	401
R-OS30E-4	Remote	30.00"	51.00"	115	1.4	4133	No	428
R-OS30E-5	Remote	30.00"	63.00"	115	1.4	5165	No	450
R-OS30E-6	Remote	30.00"	75.00"	115	1.4	6200	No	473
BLACK EXTERIOR & INTERIOR								
R-OS30E-3-B	Remote	30.00"	39.00"	115	0.7	3100	No	401
R-OS30E-4-B	Remote	30.00"	51.00"	115	1.4	4133	No	428
R-OS30E-5-B	Remote	30.00"	63.00"	115	1.4	5165	No	450
R-OS30E-6-B	Remote	30.00"	75.00"	115	1.4	6200	No	473
STAINLESS STEEL EXTERIOR & INTERIOR								
R-OS30E-3-S	Remote	30.00"	39.00"	115	0.7	3100	No	401
R-OS30E-4-S	Remote	30.00"	51.00"	115	1.4	4133	No	428
R-OS30E-5-S	Remote	30.00"	63.00"	115	1.4	5165	No	450
R-OS30E-6-S	Remote	30.00"	75.00"	115	1.4	6200	No	473

OPEN MERCHANDISER – MULTIPURPOSE – 44" HIGH – REMOTES – LED LIT

WHITE EXTERIOR & INTERIOR								
R-OS30E-3-LED	Remote	30.00"	39.00"	115	0.7	3100	No	401
R-OS30E-4-LED	Remote	30.00"	51.00"	115	1.4	4133	No	428
R-OS30E-5-LED	Remote	30.00"	63.00"	115	1.4	5165	No	450
R-OS30E-6-LED	Remote	30.00"	75.00"	115	1.4	6200	No	473
BLACK EXTERIOR & INTERIOR								
R-OS30E-3-B-LED	Remote	30.00"	39.00"	115	0.7	3100	No	401
R-OS30E-4-B-LED	Remote	30.00"	51.00"	115	1.4	4133	No	428
R-OS30E-5-B-LED	Remote	30.00"	63.00"	115	1.4	5165	No	450
R-OS30E-6-B-LED	Remote	30.00"	75.00"	115	1.4	6200	No	473
STAINLESS STEEL EXTERIOR & INTERIOR								
R-OS30E-3-S-LED	Remote	30.00"	39.00"	115	0.7	3100	No	401
R-OS30E-4-S-LED	Remote	30.00"	51.00"	115	1.4	4133	No	428
R-OS30E-5-S-LED	Remote	30.00"	63.00"	115	1.4	5165	No	450
R-OS30E-6-S-LED	Remote	30.00"	75.00"	115	1.4	6200	No	473

Add 10% for mixing colors

OPTIONS PAGE 64-65



HMC Enterprises LLC

831 East Cayuga St. Philadelphia, PA 19124 USA • (215) 464-6800 • 1-800-344-8222
 fax (215) 969-4890 • E-Mail: sales@howardmccray.com • www.howardmccray.com

OS Series 30E – Curved Open Merchandiser Multipurpose – 44" High



STANDARD FEATURES

- Designer White, Glossy Black Aluminum or Stainless Steel
- Endless Design for Continuous Lineups
- High Impact Bumper
- Automatic Condensate Pan
- Removable Step Shelf
- Easy Access Front Panel for Serviceability
- Wide View Plexiglas Front & Curved Plexi Sides
- Electronic Control System to Maintain Balanced Temperatures
- Energy Efficient LED Lighting Systems
- UL Classified to ANSI/NSF 7
- night cover included

CURVED GLASS OPEN MERCHANDISER-MULTI-PURPOSE – 44" HIGH

Model No.	Description	Depth	Length	Voltage	Amps	HP	Power Cord	Est. Ship Wt
WHITE EXTERIOR & INTERIOR								
SC-OS30E-3C	Self contained	30.00"	39.00"	115	12.0	1/2	5-15P	445
SC-OS30E-4C	Self contained	30.00"	51.00"	115	13.1	1/2	5-20P	475
SC-OS30E-5C	Self contained	30.00"	63.00"	115	16.0	3/4	5-20P	500
SC-OS30E-6C	Self contained	30.00"	75.00"	115	16.0	3/4	5-20P	525
BLACK EXTERIOR & INTERIOR								
SC-OS30E-3C-B	Self contained	30.00"	39.00"	115	12.0	1/2	5-15P	445
SC-OS30E-4C-B	Self contained	30.00"	51.00"	115	13.1	1/2	5-20P	475
SC-OS30E-5C-B	Self contained	30.00"	63.00"	115	16.0	3/4	5-20P	500
SC-OS30E-6C-B	Self contained	30.00"	75.00"	115	16.0	3/4	5-20P	525
STAINLESS STEEL EXTERIOR & INTERIOR								
SC-OS30E-3C-S	Self contained	30.00"	39.00"	115	12.0	1/2	5-15P	445
SC-OS30E-4C-S	Self contained	30.00"	51.00"	115	13.1	1/2	5-20P	475
SC-OS30E-5C-S	Self contained	30.00"	63.00"	115	16.0	3/4	5-20P	500
SC-OS30E-6C-S	Self contained	30.00"	75.00"	115	16.0	3/4	5-20P	525

CURVED GLASS OPEN MERCHANDISER-MULTI-PURPOSE – 44" HIGH – LED LIT

Model No.	Description	Depth	Length	Voltage	Amps	HP	Power Cord	Est. Ship Wt
WHITE EXTERIOR & INTERIOR								
SC-OS30E-3C-LED	Self contained	30.00"	39.00"	115	12.0	1/2	5-15P	445
SC-OS30E-4C-LED	Self contained	30.00"	51.00"	115	13.1	1/2	5-20P	475
SC-OS30E-5C-LED	Self contained	30.00"	63.00"	115	16.0	3/4	5-20P	500
SC-OS30E-6C-LED	Self contained	30.00"	75.00"	115	16.0	3/4	5-20P	525
BLACK EXTERIOR & INTERIOR								
SC-OS30E-3C-B-LED	Self contained	30.00"	39.00"	115	12.0	1/2	5-15P	445
SC-OS30E-4C-B-LED	Self contained	30.00"	51.00"	115	13.1	1/2	5-20P	475
SC-OS30E-5C-B-LED	Self contained	30.00"	63.00"	115	16.0	3/4	5-20P	500
SC-OS30E-6C-B-LED	Self contained	30.00"	75.00"	115	16.0	3/4	5-20P	525
STAINLESS STEEL EXTERIOR & INTERIOR								
SC-OS30E-3C-S-LED	Self contained	30.00"	39.00"	115	12.0	1/2	5-15P	445
SC-OS30E-4C-S-LED	Self contained	30.00"	51.00"	115	13.1	1/2	5-20P	475
SC-OS30E-5C-S-LED	Self contained	30.00"	63.00"	115	16.0	3/4	5-20P	500
SC-OS30E-6C-S-LED	Self contained	30.00"	75.00"	115	16.0	3/4	5-20P	525

Recommended Operating Conditions – 75°F @ 55% Relative Humidity

OS Series 30E – Curved Open Merchandiser Multipurpose – 44" High

CURVED GLASS OPEN MERCHANDISER–MULTI-PURPOSE – 44" HIGH – REMOTES

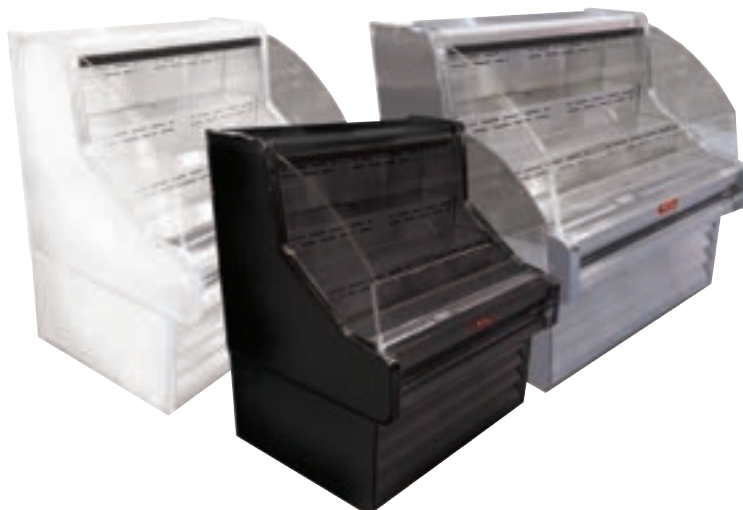
Model No.	Description	Depth	Length	Voltage	Amps	BTUs	Power Cord	Est. Ship Wt
WHITE EXTERIOR & INTERIOR								
R-OS30E-3C	Remote	30.00"	39.00"	115	0.7	3100	No	401
R-OS30E-4C	Remote	30.00"	51.00"	115	1.4	4133	No	428
R-OS30E-5C	Remote	30.00"	63.00"	115	1.4	5165	No	450
R-OS30E-6C	Remote	30.00"	75.00"	115	1.4	6200	No	473
BLACK EXTERIOR & INTERIOR								
R-OS30E-3C-B	Remote	30.00"	39.00"	115	0.7	3100	No	401
R-OS30E-4C-B	Remote	30.00"	51.00"	115	1.4	4133	No	428
R-OS30E-5C-B	Remote	30.00"	63.00"	115	1.4	5165	No	450
R-OS30E-6C-B	Remote	30.00"	75.00"	115	1.4	6200	No	473
STAINLESS STEEL EXTERIOR & INTERIOR								
R-OS30E-3C-S	Remote	30.00"	39.00"	115	0.7	3100	No	401
R-OS30E-4C-S	Remote	30.00"	51.00"	115	1.4	4133	No	428
R-OS30E-5C-S	Remote	30.00"	63.00"	115	1.4	5165	No	450
R-OS30E-6C-S	Remote	30.00"	75.00"	115	1.4	6200	No	473

CURVED GLASS OPEN MERCHANDISER–MULTI-PURPOSE – 44" HIGH – REMOTES – LED LIT

Model No.	Description	Depth	Length	Voltage	Amps	BTUS	Power Cord	Est. Ship Wt
WHITE EXTERIOR & INTERIOR								
R-OS30E-3C-LED	Remote	30.00"	39.00"	115	0.7	3100	No	401
R-OS30E-4C-LED	Remote	30.00"	51.00"	115	1.4	4133	No	428
R-OS30E-5C-LED	Remote	30.00"	63.00"	115	1.4	5165	No	450
R-OS30E-6C-LED	Remote	30.00"	75.00"	115	1.4	6200	No	473
BLACK EXTERIOR & INTERIOR								
R-OS30E-3C-B-LED	Remote	30.00"	39.00"	115	0.7	3100	No	401
R-OS30E-4C-B-LED	Remote	30.00"	51.00"	115	1.4	4133	No	428
R-OS30E-5C-B-LED	Remote	30.00"	63.00"	115	1.4	5165	No	450
R-OS30E-6C-B-LED	Remote	30.00"	75.00"	115	1.4	6200	No	473
STAINLESS STEEL EXTERIOR & INTERIOR								
R-OS30E-3C-S-LED	Remote	30.00"	39.00"	115	0.7	3100	No	401
R-OS30E-4C-S-LED	Remote	30.00"	51.00"	115	1.4	4133	No	428
R-OS30E-5C-S-LED	Remote	30.00"	63.00"	115	1.4	5165	No	450
R-OS30E-6C-S-LED	Remote	30.00"	75.00"	115	1.4	6200	No	473

Add 10% for mixing colors

OPTIONS PAGE 64-65



HMC Enterprises LLC

831 East Cayuga St. Philadelphia, PA 19124 USA • (215) 464-6800 • 1-800-344-8222

fax (215) 969-4890 • E-Mail: sales@howardmccray.com • www.howardmccray.com

OD Series 30E – Open Merchandiser Multipurpose – 60" High



STANDARD FEATURES

- Designer White, Glossy Black Aluminum or Stainless Steel
- Endless Design for Continuous Lineups
- Front Bumper Rail with 1" Bumper
- Wide View Plexiglas – Front & Sides
- Available in 5 Styles of End Panels – See page 32
- Easy Access Front Panel for Serviceability
- Price Tag Molding and Lights Each Shelf
- Remotes Available
- Electronic Control System to Maintain Balanced Temperatures
- Energy Efficient LED Lighting Systems
- UL Classified to ANSI/NSF 7
- DRAIN IS REQUIRED

OPEN MERCHANDISER – MULTIPURPOSE – 60" HIGH – LED LIT

Model No.	Description	Depth	Length	Voltage	Amps	HP	Power Cord	Est. Ship Wt
WHITE EXTERIOR & INTERIOR								
SC-OD30E-3L-LED	Self contained	30.00"	39.00"	115	11.9	1/2	5-15P	505
SC-OD30E-4L-LED	Self contained	30.00"	51.00"	115	12.6	1/2	5-20P	585
SC-OD30E-5L-LED	Self contained	30.00"	63.00"	115/208-230	11.3	3/4	L14-20P	698
SC-OD30E-6L-LED	Self contained	30.00"	75.00"	115/208-230	11.3	3/4	L14-20P	810
SC-OD30E-8L-LED	Self contained	30.00"	99.00"	115/208-230	14.3	1	L14-20P	1035
BLACK EXTERIOR & INTERIOR								
SC-OD30E-3L-B-LED	Self contained	30.00"	39.00"	115	11.9	1/2	5-15P	505
SC-OD30E-4L-B-LED	Self contained	30.00"	51.00"	115	12.6	1/2	5-20P	585
SC-OD30E-5L-B-LED	Self contained	30.00"	63.00"	115/208-230	11.3	3/4	L14-20P	698
SC-OD30E-6L-B-LED	Self contained	30.00"	75.00"	115/208-230	11.3	3/4	L14-20P	810
SC-OD30E-8L-B-LED	Self contained	30.00"	99.00"	115/208-230	14.3	1	L14-20P	1035
STAINLESS STEEL EXTERIOR & INTERIOR								
SC-OD30E-3L-S-LED	Self contained	30.00"	39.00"	115	11.9	1/2	5-15P	505
SC-OD30E-4L-S-LED	Self contained	30.00"	51.00"	115	12.6	1/2	5-20P	585
SC-OD30E-5L-S-LED	Self contained	30.00"	63.00"	115/208-230	11.3	3/4	L14-20P	698
SC-OD30E-6L-S-LED	Self contained	30.00"	75.00"	115/208-230	11.3	3/4	L14-20P	810
SC-OD30E-8L-S-LED	Self contained	30.00"	99.00"	115/208-230	14.3	1	L14-20P	1035

Recommended Operating Conditions – 75°F @ 55% Relative Humidity

OD Series 30E – Open Merchandiser Multipurpose – 60" High

OPEN MERCHANDISER – MULTIPURPOSE – 60" HIGH – REMOTES – LED LIT

Model No.	Description	Depth	Length	Voltage	Amps	BTUs	Power Cord	Est. Ship Wt
WHITE EXTERIOR & INTERIOR								
R-OD30E-3L-LED	Remote	30.00"	39.00"	115	1.2	3120	No	455
R-OD30E-4L-LED	Remote	30.00"	51.00"	115	1.9	4160	No	527
R-OD30E-5L-LED	Remote	30.00"	63.00"	115	2.4	5180	No	628
R-OD30E-6L-LED	Remote	30.00"	75.00"	115	2.4	6240	No	729
R-OD30E-8L-LED	Remote	30.00"	99.00"	115	3.1	8320	No	932
BLACK EXTERIOR & INTERIOR								
R-OD30E-3L-B-LED	Remote	30.00"	39.00"	115	1.2	3120	No	455
R-OD30E-4L-B-LED	Remote	30.00"	51.00"	115	1.9	4160	No	527
R-OD30E-5L-B-LED	Remote	30.00"	63.00"	115	2.4	5180	No	628
R-OD30E-6L-B-LED	Remote	30.00"	75.00"	115	2.4	6240	No	729
R-OD30E-8L-B-LED	Remote	30.00"	99.00"	115	3.1	8320	No	932
STAINLESS STEEL EXTERIOR & INTERIOR								
R-OD30E-3L-S-LED	Remote	30.00"	39.00"	115	1.2	3120	No	455
R-OD30E-4L-S-LED	Remote	30.00"	51.00"	115	1.9	4160	No	527
R-OD30E-5L-S-LED	Remote	30.00"	63.00"	115	2.4	5180	No	628
R-OD30E-6L-S-LED	Remote	30.00"	75.00"	115	2.4	6240	No	729
R-OD30E-8L-S-LED	Remote	30.00"	99.00"	115	3.1	8320	No	932

OPTIONS PAGE 64-65



Shown in optional Laminate Finish



HMC Enterprises LLC

831 East Cayuga St. Philadelphia, PA 19124 USA • (215) 464-6800 • 1-800-344-8222
fax (215) 969-4890 • E-Mail: sales@howardmccray.com • www.howardmccray.com

OD Series 30E – Open Merchandiser Multipurpose – 72" High



STANDARD FEATURES

- Designer White, Glossy Black Aluminum or Stainless Steel
- Endless Design for Continuous Lineups
- Front Bumper Rail with 1" Bumper
- Wide View Plexiglas Front & Sides
- Available in 3 Styles of End Panels
- Easy Access Front Panel for Serviceability
- Price Tag Molding and Lights on Each Shelf
- Remotes Available
- Electronic Control System to Maintain Balanced Temperatures
- Energy Efficient LED Lighting Systems
- UL Classified to ANSI/NSF 7
- DRAIN IS REQUIRED

OPEN MERCHANDISER – MULTIPURPOSE – 72" HIGH – LED LIT

Model No.	Description	Depth	Length	Voltage	Amps	HP	Power Cord	Est. Ship Wt
WHITE EXTERIOR & INTERIOR								
SC-OD30E-3-LED	Self contained	30.00"	39.00"	115	12.0	1/2	5-15P	535
SC-OD30E-4-LED	Self contained	30.00"	51.00"	115	13.7	1/2	5-20P	615
SC-OD30E-5-LED	Self contained	30.00"	63.00"	115/208-230	13.1	1	L14-20P	738
SC-OD30E-6-LED	Self contained	30.00"	75.00"	115/208-230	13.1	1	L14-20P	860
SC-OD30E-8-LED	Self contained	30.00"	99.00"	115/208-230	14.3	1	L14-20P	1085
BLACK EXTERIOR & INTERIOR								
SC-OD30E-3-B-LED	Self contained	30.00"	39.00"	115	12.0	1/2	5-15P	535
SC-OD30E-4-B-LED	Self contained	30.00"	51.00"	115	13.7	1/2	5-20P	615
SC-OD30E-5-B-LED	Self contained	30.00"	63.00"	115/208-230	13.1	1	L14-20P	738
SC-OD30E-6-B-LED	Self contained	30.00"	75.00"	115/208-230	13.1	1	L14-20P	860
SC-OD30E-8-B-LED	Self contained	30.00"	99.00"	115/208-230	14.3	1	L14-20P	1085
STAINLESS STEEL EXTERIOR & INTERIOR								
SC-OD30E-3-S-LED	Self contained	30.00"	39.00"	115	12.0	1/2	5-15P	535
SC-OD30E-4-S-LED	Self contained	30.00"	51.00"	115	13.7	1/2	5-20P	615
SC-OD30E-5-S-LED	Self contained	30.00"	63.00"	115/208-230	13.1	1	L14-20P	738
SC-OD30E-6-S-LED	Self contained	30.00"	75.00"	115/208-230	13.1	1	L14-20P	860
SC-OD30E-8-S-LED	Self contained	30.00"	99.00"	115/208-230	14.3	1	L14-20P	1085

Recommended Operating Conditions – 75°F @ 55% Relative Humidity

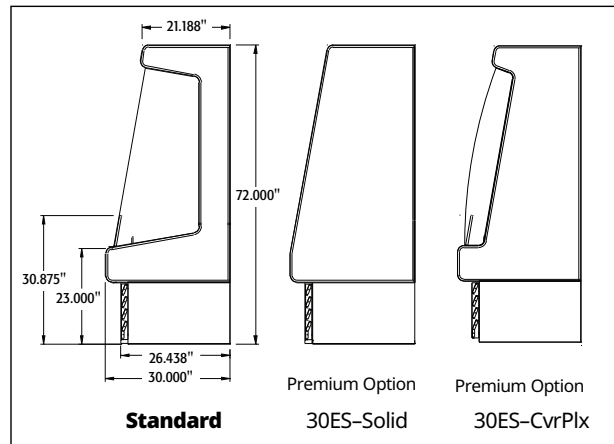
OD Series 30E – Open Merchandiser Multipurpose – 72" High

OPEN MERCHANDISER – MULTIPURPOSE – 72" HIGH – REMOTES – LED LIT

Model No.	Description	Depth	Length	Voltage	Amps	BTUs	Power Cord	Est. Ship Wt
WHITE EXTERIOR & INTERIOR								
R-OD30E-3-LED	Remote	30.00"	39.00"	115	1.4	3900	No	482
R-OD30E-4-LED	Remote	30.00"	51.00"	115	2.2	5200	No	554
R-OD30E-5-LED	Remote	30.00"	63.00"	115	2.8	6500	No	664
R-OD30E-6-LED	Remote	30.00"	75.00"	115	2.8	7800	No	774
R-OD30E-8-LED	Remote	30.00"	99.00"	115	4.3	10400	No	977
R-OD30E-10-LED**	Remote	31.25"	123.00"	115	7.0	13000	No	1328
R-OD30E-12-LED**	Remote	31.25"	147.00"	115	8.0	15600	No	1548
BLACK EXTERIOR & INTERIOR								
R-OD30E-3-B-LED	Remote	30.00"	39.00"	115	1.4	3900	No	482
R-OD30E-4-B-LED	Remote	30.00"	51.00"	115	2.2	5200	No	554
R-OD30E-5-B-LED	Remote	30.00"	63.00"	115	2.8	6500	No	664
R-OD30E-6-B-LED	Remote	30.00"	75.00"	115	2.8	7800	No	774
R-OD30E-8-B-LED	Remote	30.00"	99.00"	115	4.3	10400	No	977
R-OD30E-10-B-LED**	Remote	31.25"	123.00"	115	7.0	13000	No	1328
R-OD30E-12-B-LED**	Remote	31.25"	147.00"	115	8.0	15600	No	1548
STAINLESS STEEL EXTERIOR & INTERIOR								
R-OD30E-3-S-LED	Remote	30.00"	39.00"	115	1.4	3900	No	482
R-OD30E-4-S-LED	Remote	30.00"	51.00"	115	2.2	5200	No	554
R-OD30E-5-S-LED	Remote	30.00"	63.00"	115	2.8	6500	No	664
R-OD30E-6-S-LED	Remote	30.00"	75.00"	115	2.8	7800	No	774
R-OD30E-8-S-LED	Remote	30.00"	99.00"	115	4.3	10400	No	977
R-OD30E-10-S-LED**	Remote	31.25"	123.00"	115	7.0	13000	No	1328
R-OD30E-12-S-LED**	Remote	31.25"	147.00"	115	8.0	15600	No	1548

**Height 73.25"

OPTIONS PAGE 64-65



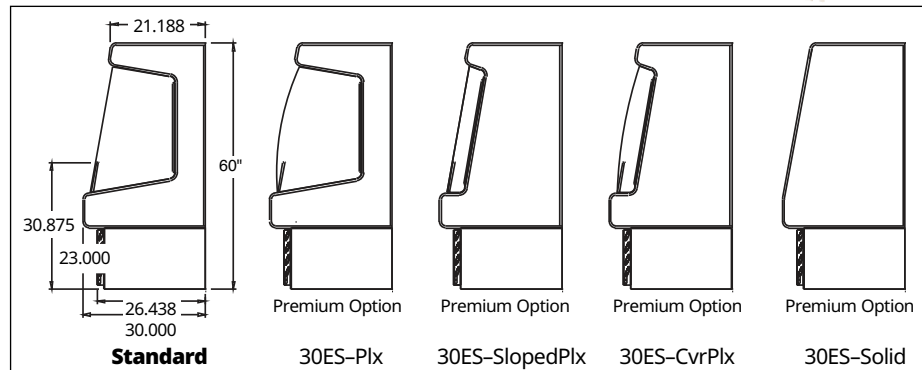
HMC Enterprises LLC

831 East Cayuga St. Philadelphia, PA 19124 USA • (215) 464-6800 • 1-800-344-8222
fax (215) 969-4890 • E-Mail: sales@howardmccray.com • www.howardmccray.com

OP Series 30E – Open Merchandiser Produce – 60" High

STANDARD FEATURES

- Designer White, Glossy Black Aluminum or Stainless Steel
- Endless Design for Continuous Lineups
- Front Bumper Rail with 1" Bumper
- Wide View Plexiglas – Front & Sides
- Available in 5 Styles of End Panels – See Below
- Easy Access Front Panel for Serviceability
- Price Tag Molding and Lights on Each Shelf
- Product Stop on Each Shelf
- 15" Product Reflecting Mirror
- Remotes Available
- Electronic Control System to Maintain Balanced Temperatures
- Energy Efficient LED Lighting
- UL Classified to ANSI/NSF 7
- DRAIN IS REQUIRED



OPEN MERCHANDISER – PRODUCE – 60" HIGH – LED LIT

Model No.	Description	Depth	Length	Voltage	Amps	HP	Power Cord	Est. Ship Wt
WHITE EXTERIOR & INTERIOR								
SC-OP30E-3L-LED	Self contained	30.00"	39.00"	115	11.7	1/2	5-15P	505
SC-OP30E-4L-LED	Self contained	30.00"	51.00"	115	12.4	1/2	5-20P	585
SC-OP30E-5L-LED	Self contained	30.00"	63.00"	115	13.5	1/2	5-20P	698
SC-OP30E-6L-LED	Self contained	30.00"	75.00"	115	13.5	1/2	5-20P	810
SC-OP30E-8L-LED	Self contained	30.00"	99.00"	115/208-230	12.5	3/4	L14-20P	1035
BLACK EXTERIOR & INTERIOR								
SC-OP30E-3L-B-LED	Self contained	30.00"	39.00"	115	11.7	1/2	5-15P	505
SC-OP30E-4L-B-LED	Self contained	30.00"	51.00"	115	12.4	1/2	5-20P	585
SC-OP30E-5L-B-LED	Self contained	30.00"	63.00"	115	13.5	1/2	5-20P	698
SC-OP30E-6L-B-LED	Self contained	30.00"	75.00"	115	13.5	1/2	5-20P	810
SC-OP30E-8L-B-LED	Self contained	30.00"	99.00"	115/208-230	12.5	3/4	L14-20P	1035
STAINLESS STEEL EXTERIOR & INTERIOR								
SC-OP30E-3L-S-LED	Self contained	30.00"	39.00"	115	11.7	1/2	5-15P	505
SC-OP30E-4L-S-LED	Self contained	30.00"	51.00"	115	12.4	1/2	5-20P	585
SC-OP30E-5L-S-LED	Self contained	30.00"	63.00"	115	13.5	1/2	5-20P	698
SC-OP30E-6L-S-LED	Self contained	30.00"	75.00"	115	13.5	1/2	5-20P	810
SC-OP30E-8L-S-LED	Self contained	30.00"	99.00"	115/208-230	12.5	3/4	L14-20P	1035

Recommended Operating Conditions – 75°F @ 55% Relative Humidity

OP Series 30E – Open Merchandiser Produce – 60" High



OPEN MERCHANDISER – PRODUCE – 60" HIGH – REMOTES – LED LIT

Model No.	Description	Depth	Length	Voltage	Amps	BTUs	Power Cord	Est. Ship Wt
WHITE EXTERIOR & INTERIOR								
R-OP30E-3L-LED	Remote	30.00"	39.00"	115	1.0	2400	No	455
R-OP30E-4L-LED	Remote	30.00"	51.00"	115	1.7	3200	No	527
R-OP30E-5L-LED	Remote	30.00"	63.00"	115	2.0	4000	No	628
R-OP30E-6L-LED	Remote	30.00"	75.00"	115	2.0	4800	No	729
R-OP30E-8L-LED	Remote	30.00"	99.00"	115	3.4	6400	No	932
BLACK EXTERIOR & INTERIOR								
R-OP30E-3L-B-LED	Remote	30.00"	39.00"	115	1.0	2400	No	455
R-OP30E-4L-B-LED	Remote	30.00"	51.00"	115	1.7	3200	No	527
R-OP30E-5L-B-LED	Remote	30.00"	63.00"	115	2.0	4000	No	628
R-OP30E-6L-B-LED	Remote	30.00"	75.00"	115	2.0	4800	No	729
R-OP30E-8L-B-LED	Remote	30.00"	99.00"	115	3.4	6400	No	932
STAINLESS STEEL EXTERIOR & INTERIOR								
R-OP30E-3L-S-LED	Remote	30.00"	39.00"	115	1.0	2400	No	455
R-OP30E-4L-S-LED	Remote	30.00"	51.00"	115	1.7	3200	No	527
R-OP30E-5L-S-LED	Remote	30.00"	63.00"	115	2.0	4000	No	628
R-OP30E-6L-S-LED	Remote	30.00"	75.00"	115	2.0	4800	No	729
R-OP30E-8L-S-LED	Remote	30.00"	99.00"	115	3.4	6400	No	932

OPTIONS PAGE 64-65



HMC Enterprises LLC

831 East Cayuga St. Philadelphia, PA 19124 USA • (215) 464-6800 • 1-800-344-8222
 fax (215) 969-4890 • E-Mail: sales@howardmccray.com • www.howardmccray.com

OP Series 30E – Open Merchandiser Produce – 72" High

STANDARD FEATURES

- Designer White, Glossy Black Aluminum or Stainless Steel
- Endless Design for Continuous Lineups
- Front Bumper Rail with 1" Bumper
- Wide View Plexiglas Front & Sides
- Available in 3 Styles of End Panels
- Easy Access Front Panel for Serviceability
- Price Tag Molding and Lights on Each Shelf
- Product Stop on Each Shelf
- 15" Product Reflecting Mirror
- Remotes Available
- Electronic Control System to Maintain Balanced Temperatures
- Energy Efficient LED Lights
- UL Classified to ANSI/NSF 7
- DRAIN IS REQUIRED

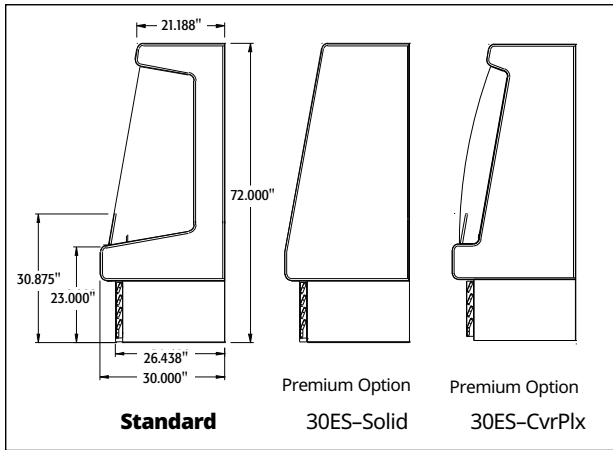


OPEN MERCHANDISER – PRODUCE – 72" HIGH – LED LIT

Model No.	Description	Depth	Length	Voltage	Amps	HP	Power Cord	Est. Ship Wt
WHITE EXTERIOR & INTERIOR								
SC-OP30E-3-LED	Self contained	30.00"	39.00"	115	11.7	1/2	5-15P	535
SC-OP30E-4-LED	Self contained	30.00"	51.00"	115	12.4	1/2	5-20P	615
SC-OP30E-5-LED	Self contained	30.00"	63.00"	115/208-230	11.3	3/4	L14-20P	738
SC-OP30E-6-LED	Self contained	30.00"	75.00"	115/208-230	11.3	3/4	L14-20P	860
SC-OP30E-8-LED	Self contained	30.00"	99.00"	115/208-230	14.3	1	L14-20P	1085
BLACK EXTERIOR & INTERIOR								
SC-OP30E-3-B-LED	Self contained	30.00"	39.00"	115	11.7	1/2	5-15P	535
SC-OP30E-4-B-LED	Self contained	30.00"	51.00"	115	12.4	1/2	5-20P	615
SC-OP30E-5-B-LED	Self contained	30.00"	63.00"	115/208-230	11.3	3/4	L14-20P	738
SC-OP30E-6-B-LED	Self contained	30.00"	75.00"	115/208-230	11.3	3/4	L14-20P	860
SC-OP30E-8-B-LED	Self contained	30.00"	99.00"	115/208-230	14.3	1	L14-20P	1085
STAINLESS STEEL EXTERIOR & INTERIOR								
SC-OP30E-3-S-LED	Self contained	30.00"	39.00"	115	11.7	1/2	5-15P	535
SC-OP30E-4-S-LED	Self contained	30.00"	51.00"	115	12.4	1/2	5-20P	615
SC-OP30E-5-S-LED	Self contained	30.00"	63.00"	115/208-230	11.3	3/4	L14-20P	738
SC-OP30E-6-S-LED	Self contained	30.00"	75.00"	115/208-230	11.3	3/4	L14-20P	860
SC-OP30E-8-S-LED	Self contained	30.00"	99.00"	115/208-230	14.3	1	L14-20P	1085

Recommended Operating Conditions – 75°F @ 55% Relative Humidity

OP Series 30E – Open Merchandiser Produce – 72" High



OPEN MERCHANDISER – PRODUCE – 72" HIGH – REMOTES – LED LIT

Model No.	Description	Depth	Length	Voltage	Amps	BTUs	Power Cord	Est. Ship Wt
WHITE EXTERIOR & INTERIOR								
R-OP30E-3-LED	Remote	30.00"	39.00"	115	1.0	3000	No	482
R-OP30E-4-LED	Remote	30.00"	51.00"	115	1.7	4000	No	554
R-OP30E-5-LED	Remote	30.00"	63.00"	115	2.0	5000	No	665
R-OP30E-6-LED	Remote	30.00"	75.00"	115	2.0	6000	No	774
R-OP30E-8-LED	Remote	30.00"	99.00"	115	3.4	8000	No	977
R-OP30E-10-LED**	Remote	31.25"	123.00"	115	7.0	10000	No	1328
R-OP30E-12-LED**	Remote	31.25"	147.00"	115	8.0	12000	No	1548
BLACK EXTERIOR & INTERIOR								
R-OP30E-3-B-LED	Remote	30.00"	39.00"	115	1.0	3000	No	482
R-OP30E-4-B-LED	Remote	30.00"	51.00"	115	1.7	4000	No	554
R-OP30E-5-B-LED	Remote	30.00"	63.00"	115	2.0	5000	No	665
R-OP30E-6-B-LED	Remote	30.00"	75.00"	115	2.0	6000	No	774
R-OP30E-8-B-LED	Remote	30.00"	99.00"	115	3.4	8000	No	977
R-OP30E-10-B-LED**	Remote	31.25"	123.00"	115	7.0	10000	No	1328
R-OP30E-12-B-LED**	Remote	31.25"	147.00"	115	8.0	12000	No	1548
STAINLESS STEEL EXTERIOR & INTERIOR								
R-OP30E-3-S-LED	Remote	30.00"	39.00"	115	1.0	3000	No	482
R-OP30E-4-S-LED	Remote	30.00"	51.00"	115	1.7	4000	No	554
R-OP30E-5-S-LED	Remote	30.00"	63.00"	115	2.0	5000	No	665
R-OP30E-6-S-LED	Remote	30.00"	75.00"	115	2.0	6000	No	774
R-OP30E-8-S-LED	Remote	30.00"	99.00"	115	3.4	8000	No	977
R-OP30E-10-S-LED**	Remote	31.25"	123.00"	115	7.0	10000	No	1328
R-OP30E-12-S-LED**	Remote	31.25"	147.00"	115	8.0	12000	No	1548

**Height 73.25"

OPTIONS PAGE 64-65



HMC Enterprises LLC

831 East Cayuga St. Philadelphia, PA 19124 USA • (215) 464-6800 • 1-800-344-8222
fax (215) 969-4890 • E-Mail: sales@howardmccray.com • www.howardmccray.com

OM Series 30E – Open Merchandiser Packaged Meat – 60" High



STANDARD FEATURES

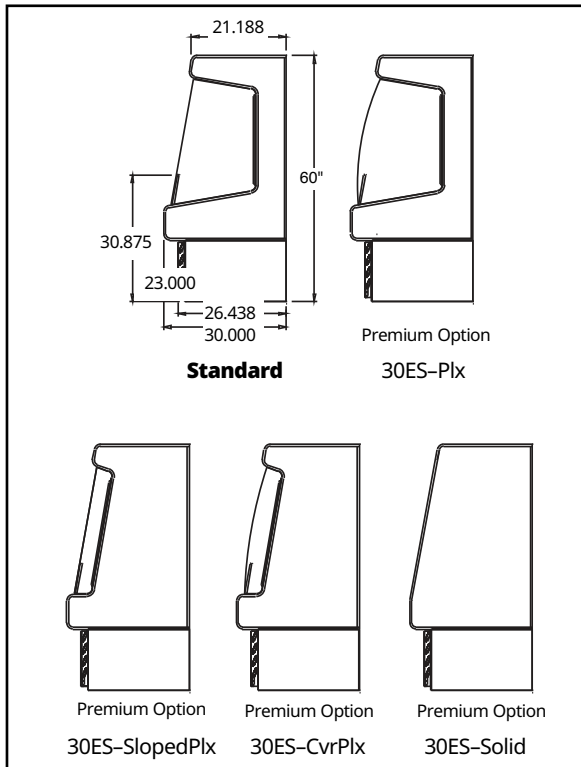
- Designer White, Glossy Black Aluminum or Stainless Steel
- Endless Design for Continuous Lineups
- Front Bumper Rail with 1" Bumper
- Wide View Plexiglas Front & Sides
- Available in 5 Styles of End Panels
- Easy Access Front Panel for Serviceability
- Price Tag Molding and Lights on Each Shelf
- Product Stop on Each Shelf
- Remotes Available
- Electronic Control System to Maintain Balanced Temperatures
- Energy Efficient LED Lights
- UL Classified to ANSI/NSF 7
- DRAIN IS REQUIRED

OPEN MERCHANDISER – MEAT – 60" HIGH – LED LIT

Model No.	Description	Depth	Length	Voltage	Amps	HP	Power Cord	Est. Ship Wt
WHITE EXTERIOR & INTERIOR								
SC-OM30E-3L-LED	Self contained	30.00"	39.00"	115	11.9	1/2	5-15P	505
SC-OM30E-4L-LED	Self contained	30.00"	51.00"	115	13.4	1/2	5-20P	585
SC-OM30E-5L-LED	Self contained	30.00"	63.00"	115/208-230	11.3	3/4	L14-20P	698
SC-OM30E-6L-LED	Self contained	30.00"	75.00"	115/208-230	11.3	3/4	L14-20P	810
BLACK EXTERIOR & INTERIOR								
SC-OM30E-3L-B-LED	Self contained	30.00"	39.00"	115	11.9	1/2	5-15P	505
SC-OM30E-4L-B-LED	Self contained	30.00"	51.00"	115	13.4	1/2	5-20P	585
SC-OM30E-5L-B-LED	Self contained	30.00"	63.00"	115/208-230	11.3	3/4	L14-20P	698
SC-OM30E-6L-B-LED	Self contained	30.00"	75.00"	115/208-230	11.3	3/4	L14-20P	810
STAINLESS STEEL EXTERIOR & INTERIOR								
SC-OM30E-3L-S-LED	Self contained	30.00"	39.00"	115	11.9	1/2	5-15P	505
SC-OM30E-4L-S-LED	Self contained	30.00"	51.00"	115	13.4	1/2	5-20P	585
SC-OM30E-5L-S-LED	Self contained	30.00"	63.00"	115/208-230	11.3	3/4	L14-20P	698
SC-OM30E-6L-S-LED	Self contained	30.00"	75.00"	115/208-230	11.3	3/4	L14-20P	810

Recommended Operating Conditions – 75°F @ 55% Relative Humidity

OM Series 30E – Open Merchandiser Packaged Meat – 60" High



OPEN MERCHANDISER – MEAT – 60" HIGH – REMOTES – LED LIT

Model No.	Description	Depth	Length	Voltage	Amps	BTUs	Power Cord	Est. Ship Wt
WHITE EXTERIOR & INTERIOR								
R-OM30E-3L-LED	Remote	30.00"	39.00"	115	1.2	3360	No	455
R-OM30E-4L-LED	Remote	30.00"	51.00"	115	1.9	4480	No	527
R-OM30E-5L-LED	Remote	30.00"	63.00"	115	2.4	5600	No	628
R-OM30E-6L-LED	Remote	30.00"	75.00"	115	2.4	6720	No	729
BLACK EXTERIOR & INTERIOR								
R-OM30E-3L-B-LED	Remote	30.00"	39.00"	115	1.2	3360	No	455
R-OM30E-4L-B-LED	Remote	30.00"	51.00"	115	1.9	4480	No	527
R-OM30E-5L-B-LED	Remote	30.00"	63.00"	115	2.4	5600	No	628
R-OM30E-6L-B-LED	Remote	30.00"	75.00"	115	2.4	6720	No	729
STAINLESS STEEL EXTERIOR & INTERIOR								
R-OM30E-3L-S-LED	Remote	30.00"	39.00"	115	1.2	3360	No	455
R-OM30E-4L-S-LED	Remote	30.00"	51.00"	115	1.9	4480	No	527
R-OM30E-5L-S-LED	Remote	30.00"	63.00"	115	2.4	5600	No	628
R-OM30E-6L-S-LED	Remote	30.00"	75.00"	115	2.4	6720	No	729

OPTIONS PAGE 64-65



HMC Enterprises LLC

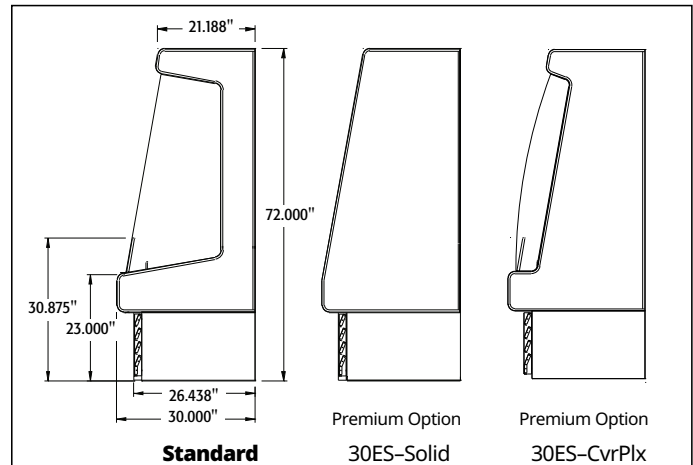
831 East Cayuga St. Philadelphia, PA 19124 USA • (215) 464-6800 • 1-800-344-8222
fax (215) 969-4890 • E-Mail: sales@howardmccray.com • www.howardmccray.com

OM Series 30E – Open Merchandiser Packaged Meat – 72" High



STANDARD FEATURES

- Designer White, Glossy Black Aluminum or Stainless Steel
- Endless Design for Continuous Lineups
- Front Bumper Rail with 1" Bumper
- Wide View Plexiglas Front & Sides
- Available in 3 Styles of End Panels
- Easy Access Front Panel for Serviceability
- Price Tag Molding and Lights on Each Shelf
- Product Stop on Each Shelf
- Remotes Available
- Energy Efficient LED Lights
- Electronic Control System to Maintain Balanced Temperatures
- UL Classified to ANSI/NSF 7
- DRAIN IS REQUIRED



Recommended Operating Conditions – 75°F @ 55% Relative Humidity

OM Series 30E – Open Merchandiser Packaged Meat – 72" High

OPEN MERCHANDISER – MEAT – 72" HIGH – LED LIT

Model No.	Description	Depth	Length	Voltage	Amps	HP	Power Cord	Est. Ship Wt
WHITE EXTERIOR & INTERIOR								
SC-OM30E-3-LED	Self contained	30.00"	39.00"	115	12.0	1/2	5-15P	535
SC-OM30E-4-LED	Self contained	30.00"	51.00"	115/208-230	11.3	3/4	L14-20P	615
SC-OM30E-5-LED	Self contained	30.00"	63.00"	115/208-230	13.1	1	L14-20P	738
SC-OM30E-6-LED	Self contained	30.00"	75.00"	115/208-230	13.1	1	L14-20P	860
BLACK EXTERIOR & INTERIOR								
SC-OM30E-3-B-LED	Self contained	30.00"	39.00"	115	12.0	1/2	5-15P	535
SC-OM30E-4-B-LED	Self contained	30.00"	51.00"	115/208-230	11.3	3/4	L14-20P	615
SC-OM30E-5-B-LED	Self contained	30.00"	63.00"	115/208-230	13.1	1	L14-20P	738
SC-OM30E-6-B-LED	Self contained	30.00"	75.00"	115/208-230	13.1	1	L14-20P	860
STAINLESS STEEL EXTERIOR & INTERIOR								
SC-OM30E-3-S-LED	Self contained	30.00"	39.00"	115	12.0	1/2	5-15P	535
SC-OM30E-4-S-LED	Self contained	30.00"	51.00"	115/208-230	11.3	3/4	L14-20P	615
SC-OM30E-5-S-LED	Self contained	30.00"	63.00"	115/208-230	13.1	1	L14-20P	738
SC-OM30E-6-S-LED	Self contained	30.00"	75.00"	115/208-230	13.1	1	L14-20P	860

OPEN MERCHANDISER – MEAT – 72" HIGH – REMOTES – LED LIT

Model No.	Description	Depth	Length	Voltage	Amps	BTUs	Power Cord	Est. Ship Wt
WHITE EXTERIOR & INTERIOR								
R-OM30E-3-LED	Remote	30.00"	39.00"	115	1.4	4200	No	482
R-OM30E-4-LED	Remote	30.00"	51.00"	115	2.2	5600	No	554
R-OM30E-5-LED	Remote	30.00"	63.00"	115	2.8	7000	No	665
R-OM30E-6-LED	Remote	30.00"	75.00"	115	2.8	8400	No	774
R-OM30E-8-LED	Remote	30.00"	99.00"	115	4.3	11200	No	977
R-OM30E-10-LED**	Remote	31.25"	123.00"	115	7.0	14000	No	1328
R-OM30E-12-LED**	Remote	31.25"	147.00"	115	8.0	16800	No	1548
BLACK EXTERIOR & INTERIOR								
R-OM30E-3-B-LED	Remote	30.00"	39.00"	115	1.4	4200	No	482
R-OM30E-4-B-LED	Remote	30.00"	51.00"	115	2.2	5600	No	554
R-OM30E-5-B-LED	Remote	30.00"	63.00"	115	2.8	7000	No	665
R-OM30E-6-B-LED	Remote	30.00"	75.00"	115	2.8	8400	No	774
R-OM30E-8-B-LED	Remote	30.00"	99.00"	115	4.3	11200	No	977
R-OM30E-10-B-LED**	Remote	31.25"	123.00"	115	7.0	14000	No	1328
R-OM30E-12-B-LED**	Remote	31.25"	147.00"	115	8.0	16800	No	1548
STAINLESS STEEL EXTERIOR & INTERIOR								
R-OM30E-3-S-LED	Remote	30.00"	39.00"	115	1.4	4200	No	482
R-OM30E-4-S-LED	Remote	30.00"	51.00"	115	2.2	5600	No	554
R-OM30E-5-S-LED	Remote	30.00"	63.00"	115	2.8	7000	No	665
R-OM30E-6-S-LED	Remote	30.00"	75.00"	115	2.8	8400	No	774
R-OM30E-8-S-LED	Remote	30.00"	99.00"	115	4.3	11200	No	977
R-OM30E-10-S-LED**	Remote	31.25"	123.00"	115	7.0	14000	No	1328
R-OM30E-12-S-LED**	Remote	31.25"	147.00"	115	8.0	16800	No	1548

**Height 73.25"

OPTIONS PAGE 64-65



HMC Enterprises LLC

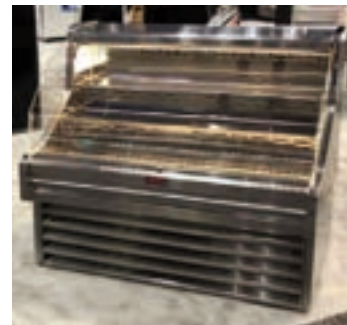
831 East Cayuga St. Philadelphia, PA 19124 USA • (215) 464-6800 • 1-800-344-8222
 fax (215) 969-4890 • E-Mail: sales@howardmccray.com • www.howardmccray.com

OS Series 35E – Open Merchandiser Multipurpose – 44" High



STANDARD FEATURES

- 34.5" Deep
- Designer White, Glossy Black Aluminum or Stainless Steel
- Endless Design for Continuous Lineups
- High Impact Bumper
- Wide View Plexiglas Front & Curved Plexi Vertical Sides
- Easy Access Front Panel for Serviceability
- Automatic Condensate Pan
- Removable Step Shelf
- LED Models
- Electronic Control System to Maintain Balanced Temperatures
- UL Classified to ANSI/NSF 7



OPEN MERCHANDISER – MULTI-PURPOSE – 44" HIGH

Model No.	Description	Depth	Length	Voltage	Amps	HP	Power Cord	Est. Ship Wt
WHITE EXTERIOR & INTERIOR								
SC-OS35E-3	Self contained	34.50"	39.00"	115	12.0	1/2	5-15P	463
SC-OS35E-4	Self contained	34.50"	51.00"	115	13.1	1/2	5-20P	494
SC-OS35E-5	Self contained	34.50"	63.00"	115	16.0	3/4	5-20P	520
SC-OS35E-6	Self contained	34.50"	75.00"	115	16.0	3/4	5-20P	546
BLACK EXTERIOR & INTERIOR								
SC-OS35E-3-B	Self contained	34.50"	39.00"	115	12.0	1/2	5-15P	463
SC-OS35E-4-B	Self contained	34.50"	51.00"	115	13.1	1/2	5-20P	494
SC-OS35E-5-B	Self contained	34.50"	63.00"	115	16.0	3/4	5-20P	520
SC-OS35E-6-B	Self contained	34.50"	75.00"	115	16.0	3/4	5-20P	546
STAINLESS STEEL EXTERIOR & INTERIOR								
SC-OS35E-3-S	Self contained	34.50"	39.00"	115	12.0	1/2	5-15P	463
SC-OS35E-4-S	Self contained	34.50"	51.00"	115	13.1	1/2	5-20P	494
SC-OS35E-5-S	Self contained	34.50"	63.00"	115	16.0	3/4	5-20P	520
SC-OS35E-6-S	Self contained	34.50"	75.00"	115	16.0	3/4	5-20P	546

Recommended Operating Conditions – 75°F @ 55% Relative Humidity

OS Series 35E – Open Merchandiser Multipurpose – 44" High

OPEN MERCHANDISER – MULTI-PURPOSE – 44" HIGH – LED LIT

Model No.	Description	Depth	Length	Voltage	Amps	HP	Power Cord	Est. Ship Wt
WHITE EXTERIOR & INTERIOR								
SC-OS35E-3-LED	Self contained	34.50"	39.00"	115	12.0	1/2	5-15P	463
SC-OS35E-4-LED	Self contained	34.50"	51.00"	115	13.1	1/2	5-20P	494
SC-OS35E-5-LED	Self contained	34.50"	63.00"	115	16.0	3/4	5-20P	520
SC-OS35E-6-LED	Self contained	34.50"	75.00"	115	16.0	3/4	5-20P	546
BLACK EXTERIOR & INTERIOR								
SC-OS35E-3-B-LED	Self contained	34.50"	39.00"	115	12.0	1/2	5-15P	463
SC-OS35E-4-B-LED	Self contained	34.50"	51.00"	115	13.1	1/2	5-20P	494
SC-OS35E-5-B-LED	Self contained	34.50"	63.00"	115	16.0	3/4	5-20P	520
SC-OS35E-6-B-LED	Self contained	34.50"	75.00"	115	16.0	3/4	5-20P	546
STAINLESS STEEL EXTERIOR & INTERIOR								
SC-OS35E-3-S-LED	Self contained	34.50"	39.00"	115	12.0	1/2	5-15P	463
SC-OS35E-4-S-LED	Self contained	34.50"	51.00"	115	13.1	1/2	5-20P	494
SC-OS35E-5-S-LED	Self contained	34.50"	63.00"	115	16.0	3/4	5-20P	520
SC-OS35E-6-S-LED	Self contained	34.50"	75.00"	115	16.0	3/4	5-20P	546

OPEN MERCHANDISER – MULTI-PURPOSE – 44" HIGH – REMOTE

Model No.	Description	Depth	Length	Voltage	Amps	BTUs	Power Cord	Est. Ship Wt
WHITE EXTERIOR & INTERIOR								
R-OS35E-3	Remote	34.50"	39.00"	115	0.7	3658	No	417
R-OS35E-4	Remote	34.50"	51.00"	115	1.4	4875	No	445
R-OS35E-5	Remote	34.50"	63.00"	115	1.4	6096	No	468
R-OS35E-6	Remote	34.50"	75.00"	115	1.4	7316	No	492
BLACK EXTERIOR & INTERIOR								
R-OS35E-3-B	Remote	34.50"	39.00"	115	0.7	3658	No	417
R-OS35E-4-B	Remote	34.50"	51.00"	115	1.4	4875	No	445
R-OS35E-5-B	Remote	34.50"	63.00"	115	1.4	6096	No	468
R-OS35E-6-B	Remote	34.50"	75.00"	115	1.4	7316	No	492
STAINLESS STEEL EXTERIOR & INTERIOR								
R-OS35E-3-S	Remote	34.50"	39.00"	115	0.7	3658	No	417
R-OS35E-4-S	Remote	34.50"	51.00"	115	1.4	4875	No	445
R-OS35E-5-S	Remote	34.50"	63.00"	115	1.4	6096	No	468
R-OS35E-6-S	Remote	34.50"	75.00"	115	1.4	7316	No	492

OPEN MERCHANDISER – MULTI-PURPOSE – 44" HIGH – REMOTES – LED LIT

WHITE EXTERIOR & INTERIOR								
R-OS35E-3-LED	Remote	34.50"	39.00"	115	0.7	3658	No	417
R-OS35E-4-LED	Remote	34.50"	51.00"	115	1.4	4875	No	445
R-OS35E-5-LED	Remote	34.50"	63.00"	115	1.4	6096	No	468
R-OS35E-6-LED	Remote	34.50"	75.00"	115	1.4	7316	No	492
BLACK EXTERIOR & INTERIOR								
R-OS35E-3-B-LED	Remote	34.50"	39.00"	115	0.7	3658	No	417
R-OS35E-4-B-LED	Remote	34.50"	51.00"	115	1.4	4875	No	445
R-OS35E-5-B-LED	Remote	34.50"	63.00"	115	1.4	6096	No	468
R-OS35E-6-B-LED	Remote	34.50"	75.00"	115	1.4	7316	No	492
STAINLESS STEEL EXTERIOR & INTERIOR								
R-OS35E-3-S-LED	Remote	34.50"	39.00"	115	0.7	3658	No	417
R-OS35E-4-S-LED	Remote	34.50"	51.00"	115	1.4	4875	No	445
R-OS35E-5-S-LED	Remote	34.50"	63.00"	115	1.4	6096	No	468
R-OS35E-6-S-LED	Remote	34.50"	75.00"	115	1.4	7316	No	492

OPTIONS PAGE 64-65



HMC Enterprises LLC

831 East Cayuga St. Philadelphia, PA 19124 USA • (215) 464-6800 • 1-800-344-8222
fax (215) 969-4890 • E-Mail: sales@howardmccray.com • www.howardmccray.com

OS Series 35E – Curved Open Merchandiser Multipurpose – 44" High



STANDARD FEATURES

- 34.5" Deep
- Designer White, Glossy Black Aluminum or Stainless Steel
- Endless Design for Continuous Lineups
- High Impact Bumper
- Wide View Plexiglas Front & Curved Plexi Vertical Sides
- Easy Access Front Panel for Serviceability
- Automatic Condensate Pan
- Removable Step Shelf
- LED Models
- Electronic Control System to Maintain Balanced Temperatures
- UL Classified to ANSI/NSF 7

OPEN MERCHANDISER – MULTI-PURPOSE – 44" HIGH

Model No.	Description	Depth	Length	Voltage	Amps	HP	Power Cord	Est. Ship Wt
WHITE EXTERIOR & INTERIOR								
SC-OS35E-3C	Self contained	34.50"	39.00"	115	12.0	1/2	5-15P	463
SC-OS35E-4C	Self contained	34.50"	51.00"	115	13.1	1/2	5-20P	494
SC-OS35E-5C	Self contained	34.50"	63.00"	115	16.0	3/4	5-20P	520
SC-OS35E-6C	Self contained	34.50"	75.00"	115	16.0	3/4	5-20P	546
BLACK EXTERIOR & INTERIOR								
SC-OS35E-3C-B	Self contained	34.50"	39.00"	115	12.0	1/2	5-15P	463
SC-OS35E-4C-B	Self contained	34.50"	51.00"	115	13.1	1/2	5-20P	494
SC-OS35E-5C-B	Self contained	34.50"	63.00"	115	16.0	3/4	5-20P	520
SC-OS35E-6C-B	Self contained	34.50"	75.00"	115	16.0	3/4	5-20P	546
STAINLESS STEEL EXTERIOR & INTERIOR								
SC-OS35E-3C-S	Self contained	34.50"	39.00"	115	12.0	1/2	5-15P	463
SC-OS35E-4C-S	Self contained	34.50"	51.00"	115	13.1	1/2	5-20P	494
SC-OS35E-5C-S	Self contained	34.50"	63.00"	115	16.0	3/4	5-20P	520
SC-OS35E-6C-S	Self contained	34.50"	75.00"	115	16.0	3/4	5-20P	546

Recommended Operating Conditions – 75°F @ 55% Relative Humidity

OS Series 35E – Curved Open Merchandiser Multipurpose – 44"

OPEN MERCHANDISER – MULTI-PURPOSE – 44" HIGH – LED LIT

Model No.	Description	Depth	Length	Voltage	Amps	HP	Power Cord	Est. Ship Wt
WHITE EXTERIOR & INTERIOR								
SC-OS35E-3C-LED	Self contained	34.50"	39.00"	115	12.0	1/2	5-15P	463
SC-OS35E-4C-LED	Self contained	34.50"	51.00"	115	13.1	1/2	5-20P	494
SC-OS35E-5C-LED	Self contained	34.50"	63.00"	115	16.0	3/4	5-20P	520
SC-OS35E-6C-LED	Self contained	34.50"	75.00"	115	16.0	3/4	5-20P	546
BLACK EXTERIOR & INTERIOR								
SC-OS35E-3C-B-LED	Self contained	34.50"	39.00"	115	12.0	1/2	5-15P	463
SC-OS35E-4C-B-LED	Self contained	34.50"	51.00"	115	13.1	1/2	5-20P	494
SC-OS35E-5C-B-LED	Self contained	34.50"	63.00"	115	16.0	3/4	5-20P	520
SC-OS35E-6C-B-LED	Self contained	34.50"	75.00"	115	16.0	3/4	5-20P	546
STAINLESS STEEL EXTERIOR & INTERIOR								
SC-OS35E-3C-S-LED	Self contained	34.50"	39.00"	115	12.0	1/2	5-15P	463
SC-OS35E-4C-S-LED	Self contained	34.50"	51.00"	115	13.1	1/2	5-20P	494
SC-OS35E-5C-S-LED	Self contained	34.50"	63.00"	115	16.0	3/4	5-20P	520
SC-OS35E-6C-S-LED	Self contained	34.50"	75.00"	115	16.0	3/4	5-20P	546

OPEN MERCHANDISER – MULTI-PURPOSE – 44" HIGH – REMOTE

Model No.	Description	Depth	Length	Voltage	Amps	BTUs	Power Cord	Est. Ship Wt
WHITE EXTERIOR & INTERIOR								
R-OS35E-3C	Remote	34.50"	39.00"	115	0.7	3658	No	417
R-OS35E-4C	Remote	34.50"	51.00"	115	1.4	4875	No	445
R-OS35E-5C	Remote	34.50"	63.00"	115	1.4	6096	No	468
R-OS35E-6C	Remote	34.50"	75.00"	115	1.4	7316	No	492
BLACK EXTERIOR & INTERIOR								
R-OS35E-3C-B	Remote	34.50"	39.00"	115	0.7	3658	No	417
R-OS35E-4C-B	Remote	34.50"	51.00"	115	1.4	4875	No	445
R-OS35E-5C-B	Remote	34.50"	63.00"	115	1.4	6096	No	468
R-OS35E-6C-B	Remote	34.50"	75.00"	115	1.4	7316	No	492
STAINLESS STEEL EXTERIOR & INTERIOR								
R-OS35E-3C-S	Remote	34.50"	39.00"	115	0.7	3658	No	417
R-OS35E-4C-S	Remote	34.50"	51.00"	115	1.4	4875	No	445
R-OS35E-5C-S	Remote	34.50"	63.00"	115	1.4	6096	No	468
R-OS35E-6C-S	Remote	34.50"	75.00"	115	1.4	7316	No	492

OPEN MERCHANDISER – MULTI-PURPOSE – 44" HIGH – REMOTES – LED LIT

WHITE EXTERIOR & INTERIOR								
R-OS35E-3C-LED	Remote	34.50"	39.00"	115	0.7	3658	No	417
R-OS35E-4C-LED	Remote	34.50"	51.00"	115	1.4	4875	No	445
R-OS35E-5-LED	Remote	34.50"	63.00"	115	1.4	6096	No	468
R-OS35E-6C-LED	Remote	34.50"	75.00"	115	1.4	7316	No	492
BLACK EXTERIOR & INTERIOR								
R-OS35E-3C-B-LED	Remote	34.50"	39.00"	115	0.7	3658	No	417
R-OS35E-4C-B-LED	Remote	34.50"	51.00"	115	1.4	4875	No	445
R-OS35E-5C-B-LED	Remote	34.50"	63.00"	115	1.4	6096	No	468
R-OS35E-6C-B-LED	Remote	34.50"	75.00"	115	1.4	7316	No	492
STAINLESS STEEL EXTERIOR & INTERIOR								
R-OS35E-3C-S-LED	Remote	34.50"	39.00"	115	0.7	3658	No	417
R-OS35E-4C-S-LED	Remote	34.50"	51.00"	115	1.4	4875	No	445
R-OS35E-5C-S-LED	Remote	34.50"	63.00"	115	1.4	6096	No	468
R-OS35E-6C-S-LED	Remote	34.50"	75.00"	115	1.4	7316	No	492

OPTIONS PAGE 64-65



HMC Enterprises LLC

OD Series 35E Sloped – Open Merchandiser Multipurpose – 60" High



STANDARD FEATURES

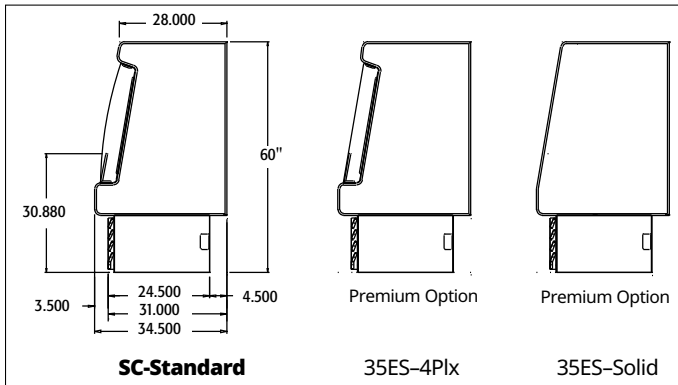
- 34.5" Deep
- Designer White, Glossy Black Aluminum or Stainless Steel
- Endless Design for Continuous Lineups
- Front Bumper Rail with 1" Bumper
- Stylish 1-1/2" End Panels
- Choice of 3 Different Style End Panels: Curved Plexi, Straight Plexi or Solid
- Price Tag Molding and Lights on Each Shelf
- New High Efficiency Air Screen Technology
- Remotes Available
- Fits Through Most Doorways
- Electronic Control System to Maintain Balanced Temperatures
- Energy Efficient LED Lights
- UL Classified to ANSI/NSF 7
- DRAIN IS REQUIRED

OPEN MERCHANDISER – MULTIPURPOSE – 60" HIGH – LED LIT

Model No.	Description	Depth	Length	Voltage	Amps	HP	Power Cord	Est. Ship Wt
WHITE EXTERIOR & INTERIOR								
SC-OD35E-3L-LED	Self contained	34.50"	39.00"	115	14.0	1/2	5-20P	655
SC-OD35E-4L-LED	Self contained	34.50"	51.00"	115	15.0	1/2	5-20P	685
SC-OD35E-5L-LED	Self contained	34.50"	63.00"	115/208-230	16.0	3/4	L14-20P	768
SC-OD35E-6L-LED	Self contained	34.50"	75.00"	115/208-230	16.0	3/4	L14-20P	850
BLACK EXTERIOR & INTERIOR								
SC-OD35E-3L-B-LED	Self contained	34.50"	39.00"	115	14.0	1/2	5-20P	655
SC-OD35E-4L-B-LED	Self contained	34.50"	51.00"	115	15.0	1/2	5-20P	685
SC-OD35E-5L-B-LED	Self contained	34.50"	63.00"	115/208-230	16.0	3/4	L14-20P	768
SC-OD35E-6L-B-LED	Self contained	34.50"	75.00"	115/208-230	16.0	3/4	L14-20P	850
STAINLESS STEEL EXTERIOR & INTERIOR								
SC-OD35E-3L-S-LED	Self contained	34.50"	39.00"	115	14.0	1/2	5-20P	655
SC-OD35E-4L-S-LED	Self contained	34.50"	51.00"	115	15.0	1/2	5-20P	685
SC-OD35E-5L-S-LED	Self contained	34.50"	63.00"	115/208-230	16.0	3/4	L14-20P	768
SC-OD35E-6L-S-LED	Self contained	34.50"	75.00"	115/208-230	16.0	3/4	L14-20P	850

Recommended Operating Conditions – 75°F @ 55% Relative Humidity

OD Series 35E Sloped – Open Merchandiser Multipurpose – 60" High



OPEN MERCHANDISER – MULTIPURPOSE – 60" HIGH – REMOTES – LED LIT

Model No.	Description	Depth	Length	Voltage	Amps	BTUs	Power Cord	Est. Ship Wt
WHITE EXTERIOR & INTERIOR								
R-OD35E-3L-LED	Remotes	34.50"	39.00"	115	2.0	3550	No	520
R-OD35E-4L-LED	Remotes	34.50"	51.00"	115	3.0	4733	No	585
R-OD35E-5L-LED	Remotes	34.50"	63.00"	115	4.0	5917	No	728
R-OD35E-6L-LED**	Remotes	34.50"	75.00"	115	4.0	7100	No	810
R-OD35E-8L-LED**	Remotes	35.75"	99.00"	115	6.0	9466	No	1080
R-OD35E-10L-LED**	Remotes	35.75"	123.00"	115	7.0	11833	No	1300
R-OD35E-12L-LED**	Remotes	35.75"	147.00"	115	8.0	14200	No	1560
BLACK EXTERIOR & INTERIOR								
R-OD35E-3L-B-LED	Remotes	34.50"	39.00"	115	2.0	3550	No	520
R-OD35E-4L-B-LED	Remotes	34.50"	51.00"	115	3.0	4733	No	585
R-OD35E-5L-B-LED	Remotes	34.50"	63.00"	115	4.0	5917	No	728
R-OD35E-6L-B-LED**	Remotes	34.50"	75.00"	115	4.0	7100	No	810
R-OD35E-8L-B-LED**	Remotes	35.75"	99.00"	115	6.0	9466	No	1080
R-OD35E-10L-B-LED**	Remotes	35.75"	123.00"	115	7.0	11833	No	1300
R-OD35E-12L-B-LED**	Remotes	35.75"	147.00"	115	8.0	14200	No	1560
STAINLESS STEEL EXTERIOR & INTERIOR								
R-OD35E-3L-S-LED	Remotes	34.50"	39.00"	115	2.0	3550	No	520
R-OD35E-4L-S-LED	Remotes	34.50"	51.00"	115	3.0	4733	No	585
R-OD35E-5L-S-LED	Remotes	34.50"	63.00"	115	4.0	5917	No	728
R-OD35E-6L-S-LED**	Remotes	34.50"	75.00"	115	4.0	7100	No	810
R-OD35E-8L-S-LED**	Remotes	35.75"	99.00"	115	6.0	9466	No	1080
R-OD35E-10L-S-LED**	Remotes	35.75"	123.00"	115	7.0	11833	No	1300
R-OD35E-12L-S-LED**	Remotes	35.75"	147.00"	115	8.0	14200	No	1560

**Height 61.25"

OPTIONS PAGE 64-65



HMC Enterprises LLC

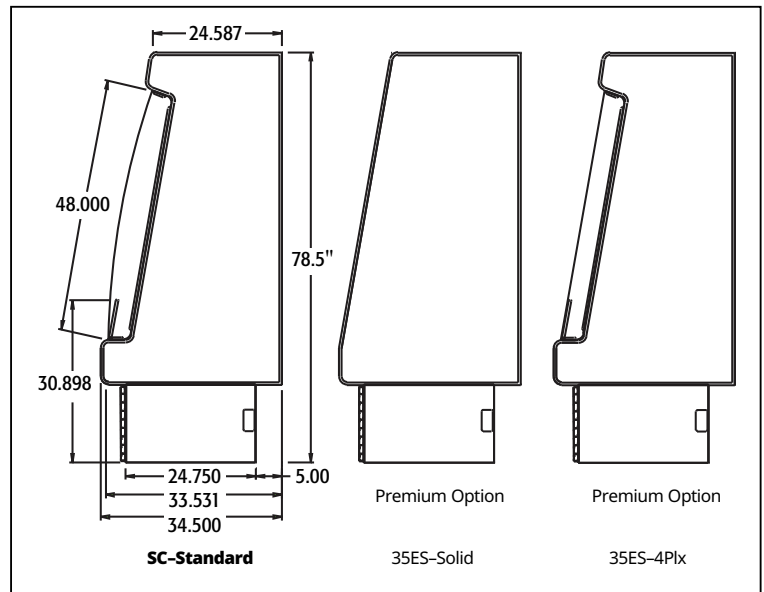
831 East Cayuga St. Philadelphia, PA 19124 USA • (215) 464-6800 • 1-800-344-8222
fax (215) 969-4890 • E-Mail: sales@howardmccray.com • www.howardmccray.com

OD Series 35E Sloped – Open Merchandiser Multipurpose – 78.5" High



STANDARD FEATURES

- 34.5" Deep
- Designer White, Glossy Black Aluminum or Stainless Steel
- Endless Design for Continuous Lineups
- Fits Through Most Doorways
- Stylish 1-1/2" End Panels
- Choice of 3 Different Style End Panels: Curved Plexi, Straight Plexi or Solid
- Price Tag Molding and Lights on Each Shelf
- New High Efficiency Air Screen Technology
- Energy Efficient LED Lighting
- Electronic Control System to Maintain Balanced Temperatures
- UL Classified to ANSI/NSF 7
- DRAIN IS REQUIRED



Recommended Operating Conditions – 75°F @ 55% Relative Humidity

OD Series 35E Sloped – Open Merchandiser Multipurpose – 78.5" High

OPEN MERCHANDISER – MULTIPURPOSE – 78.5" HIGH – LED LIT

Model No.	Description	Depth	Length	Voltage	Amps	HP	Power Cord	Est. Ship Wt
WHITE EXTERIOR & INTERIOR								
SC-OD35E-3S-LED	Self contained	34.50"	39.00"	115	16.0	1/2	5-20P	700
SC-OD35E-4S-LED	Self contained	34.50"	51.00"	115/208-230	13.0	3/4	L14-20P	965
SC-OD35E-5S-LED	Self contained	34.50"	63.00"	115/208-230	16.0	1	L14-20P	1125
SC-OD35E-6S-LED	Self contained	34.50"	75.00"	115/208-230	16.0	1	L14-20P	1175
BLACK EXTERIOR & INTERIOR								
SC-OD35E-3S-B-LED	Self contained	34.50"	39.00"	115	16.0	1/2	5-20P	700
SC-OD35E-4S-B-LED	Self contained	34.50"	51.00"	115/208-230	13.0	3/4	L14-20P	965
SC-OD35E-5S-B-LED	Self contained	34.50"	63.00"	115/208-230	16.0	1	L14-20P	1125
SC-OD35E-6S-B-LED	Self contained	34.50"	75.00"	115/208-230	16.0	1	L14-20P	1175
STAINLESS STEEL EXTERIOR & INTERIOR								
SC-OD35E-3S-S-LED	Self contained	34.50"	39.00"	115	16.0	1/2	5-20P	700
SC-OD35E-4S-S-LED	Self contained	34.50"	51.00"	115/208-230	13.0	3/4	L14-20P	965
SC-OD35E-5S-S-LED	Self contained	34.50"	63.00"	115/208-230	16.0	1	L14-20P	1125
SC-OD35E-6S-S-LED	Self contained	34.50"	75.00"	115/208-230	16.0	1	L14-20P	1175

OPEN MERCHANDISER – MULTIPURPOSE – 78.5" HIGH – REMOTES – LED LIT

Model No.	Description	Depth	Length	Voltage	Amps	BTUs	Power Cord	Est. Ship Wt
WHITE EXTERIOR & INTERIOR								
R-OD35E-3S-LED	Remote	34.50"	39.00"	115	2.0	4906	No	575
R-OD35E-4S-LED	Remote	34.50"	51.00"	115	3.0	6542	No	790
R-OD35E-5S-LED	Remote	34.50"	63.00"	115	4.0	8170	No	915
R-OD35E-6S-LED	Remote	34.50"	75.00"	115	4.0	9813	No	1000
R-OD35E-8S-LED**	Remote	35.75"	99.00"	115	6.0	13084	No	1580
R-OD35E-10S-LED**	Remote	35.75"	123.00"	115	7.0	16355	No	1790
R-OD35E-12S-LED**	Remote	35.75"	147.00"	115	8.0	19626	No	2000
BLACK EXTERIOR & INTERIOR								
R-OD35E-3S-B-LED	Remote	34.50"	39.00"	115	2.0	4906	No	575
R-OD35E-4S-B-LED	Remote	34.50"	51.00"	115	3.0	6542	No	790
R-OD35E-5S-B-LED	Remote	34.50"	63.00"	115	4.0	8170	No	915
R-OD35E-6S-B-LED	Remote	34.50"	75.00"	115	4.0	9813	No	1000
R-OD35E-8S-B-LED**	Remote	35.75"	99.00"	115	6.0	13084	No	1580
R-OD35E-10S-B-LED**	Remote	35.75"	123.00"	115	7.0	16355	No	1790
R-OD35E-12S-B-LED**	Remote	35.75"	147.00"	115	8.0	19626	No	2000
STAINLESS STEEL EXTERIOR & INTERIOR								
R-OD35E-3S-S-LED	Remote	34.50"	39.00"	115	2.0	4906	No	575
R-OD35E-4S-S-LED	Remote	34.50"	51.00"	115	3.0	6542	No	790
R-OD35E-5S-S-LED	Remote	34.50"	63.00"	115	4.0	8170	No	915
R-OD35E-6S-S-LED	Remote	34.50"	75.00"	115	4.0	9813	No	1000
R-OD35E-8S-S-LED**	Remote	35.75"	99.00"	115	6.0	13084	No	1580
R-OD35E-10S-S-LED**	Remote	35.75"	123.00"	115	7.0	16355	No	1790
R-OD35E-12S-S-LED**	Remote	35.75"	147.00"	115	8.0	19626	No	2000

**Height 79.75"

OPTIONS PAGE 64-65



HMC Enterprises LLC

831 East Cayuga St. Philadelphia, PA 19124 USA • (215) 464-6800 • 1-800-344-8222
fax (215) 969-4890 • E-Mail: sales@howardmccray.com • www.howardmccray.com

OD Series 35E - Open Merchandiser Multipurpose - 78.5" High



OPEN MERCHANDISER - STRAIGHT SOLID END PANELS - 78.5" HIGH - LED LIT

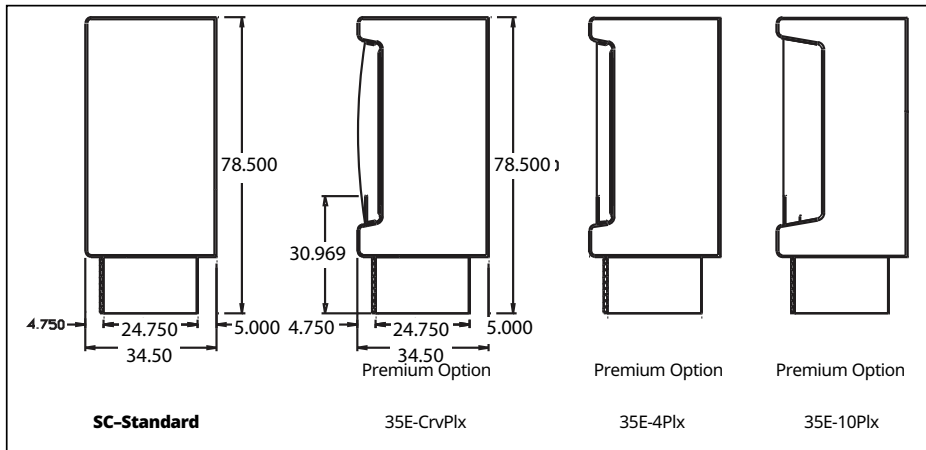
Model No.	Description	Depth	Length	Voltage	Amps	HP	Power Cord	Est. Ship Wt
WHITE EXTERIOR & INTERIOR								
SC-OD35E-3-LED	Self contained	34.50"	39.00"	115	16.0	1/2	5-20P	700
SC-OD35E-4-LED	Self contained	34.50"	51.00"	115/208-230	13.0	3/4	L14-20P	965
SC-OD35E-5-LED	Self contained	34.50"	63.00"	115/208-230	16.0	1	L14-20P	1175
SC-OD35E-6-LED	Self contained	34.50"	75.00"	115/208-230	16.0	1	L14-20P	1175
BLACK EXTERIOR & INTERIOR								
SC-OD35E-3-B-LED	Self contained	34.50"	39.00"	115	16.0	1/2	5-20P	700
SC-OD35E-4-B-LED	Self contained	34.50"	51.00"	115/208-230	13.0	3/4	L14-20P	965
SC-OD35E-5-B-LED	Self contained	34.50"	63.00"	115/208-230	16.0	1	L14-20P	1175
SC-OD35E-6-B-LED	Self contained	34.50"	75.00"	115/208-230	16.0	1	L14-20P	1175
STAINLESS STEEL EXTERIOR & INTERIOR								
SC-OD35E-3-S-LED	Self contained	34.50"	39.00"	115	16.0	1/2	5-20P	700
SC-OD35E-4-S-LED	Self contained	34.50"	51.00"	115/208-230	13.0	3/4	L14-20P	965
SC-OD35E-5-S-LED	Self contained	34.50"	63.00"	115/208-230	16.0	1	L14-20P	1175
SC-OD35E-6-S-LED	Self contained	34.50"	75.00"	115/208-230	16.0	1	L14-20P	1175

Recommended Operating Conditions - 75°F @ 55% Relative Humidity

OD Series 35E - Open Merchandiser Multipurpose - 78.5" High

STANDARD FEATURES

- 34.5" Deep
- Designer White, Glossy Black Aluminum or Stainless Steel
- Endless Design for Continuous Lineups
- Front Bumper Rail with 1" Bumper
- Stylish 1-1/2" End Panels
- Choice of 4 Different Style End Panels: Curved Plexi, Straight Plexi, Wide Straight Plexi or Solid
- Price Tag Molding and Lights Each Shelf
- Fits Through Most Doorways
- New High Efficiency Air Screen Technology
- Remotes Available
- Electronic Control System to Maintain Balanced Temperatures
- Energy Efficient LED Lighting
- UL Classified to ANSI/NSF 7
- DRAIN IS REQUIRED



OPEN MERCHANDISER - STRAIGHT SOLID END PANELS - 78.5" HIGH REMOTES - LED LIT

Model No.	Description	Depth	Length	Voltage	Amps	BTUs	Power Cord	Est. Ship Wt
WHITE EXTERIOR & INTERIOR								
R-OD35E-3-LED	Remote	34.50"	39.00"	115	2.0	4906	No	575
R-OD35E-4-LED	Remote	34.50"	51.00"	115	3.0	6544	No	790
R-OD35E-5-LED	Remote	34.50"	63.00"	115	4.0	8176	No	895
R-OD35E-6-LED	Remote	34.50"	75.00"	115	4.0	9813	No	1000
R-OD35E-8-LED**	Remote	35.75"	99.00"	115	6.0	13082	No	1580
R-OD35E-10-LED**	Remote	35.75"	123.00"	115	7.0	16355	No	1790
R-OD35E-12-LED**	Remote	35.75"	147.00"	115	8.0	19626	No	2000
BLACK EXTERIOR & INTERIOR								
R-OD35E-3-B-LED	Remote	34.50"	39.00"	115	2.0	4906	No	575
R-OD35E-4-B-LED	Remote	34.50"	51.00"	115	3.0	6544	No	790
R-OD35E-5-B-LED	Remote	34.50"	63.00"	115	4.0	8176	No	895
R-OD35E-6-B-LED	Remote	34.50"	75.00"	115	4.0	9813	No	1000
R-OD35E-8-B-LED**	Remote	35.75"	99.00"	115	6.0	13082	No	1580
R-OD35E-10-B-LED**	Remote	35.75"	123.00"	115	7.0	16355	No	1790
R-OD35E-12-B-LED**	Remote	35.75"	147.00"	115	8.0	19626	No	2000
STAINLESS STEEL EXTERIOR & INTERIOR								
R-OD35E-3-S-LED	Remote	34.50"	39.00"	115	2.0	4906	No	575
R-OD35E-4-S-LED	Remote	34.50"	51.00"	115	3.0	6544	No	790
R-OD35E-5-S-LED	Remote	34.50"	63.00"	115	4.0	8176	No	895
R-OD35E-6-S-LED	Remote	34.50"	75.00"	115	4.0	9813	No	1000
R-OD35E-8-S-LED**	Remote	35.75"	99.00"	115	6.0	13082	No	1580
R-OD35E-10-S-LED**	Remote	35.75"	123.00"	115	7.0	16355	No	1790
R-OD35E-12-S-LED**	Remote	35.75"	147.00"	115	8.0	19626	No	2000

OPTIONS PAGE 64-65

** Height 79.75"

HMC Enterprises LLC

831 East Cayuga St. Philadelphia, PA 19124 USA • (215) 464-6800 • 1-800-344-8222
fax (215) 969-4890 • E-Mail: sales@howardmccray.com • www.howardmccray.com

OD Series 35E - Open Merchandiser - Lighted Canopy Straight Solid End Panels - Multipurpose - 82.25" High



* Shown With Optional:
Color Mix And Stainless Trim

STANDARD FEATURES

- Designer White, Glossy Black Aluminum or Stainless Steel
- STAND ALONE MODEL
- Front Bumper Rail comes with 1" Gray Bumper
- Stylish 1-1/2" End Panels
- Price Tag Molding and Lights Each Shelf
- Lit Canopy with Blank Sign
- New High Efficiency Air Screen Technology
- Remotes Available
- Electronic Control System to Maintain Balanced Temperatures
- Energy Efficient LED Lighting
- UL Classified to ANSI/NSF 7
- DRAIN IS REQUIRED

STRAIGHT SOLID END PANELS - LED LIT

Model No.	Description	Depth	Length	Voltage	Amps	HP	Power Cord	Est. Ship Wt
WHITE EXTERIOR & INTERIOR								
SC-OD35E-3-LED-LC	Self contained	34.50"	39.00"	115	14.0	1/2	5-20P	710
SC-OD35E-4-LED-LC	Self contained	34.50"	51.00"	115/208-230	13.0	3/4	L14-20P	975
SC-OD35E-5-LED-LC	Self contained	34.50"	63.00"	115/208-230	16.0	1	L14-20P	1185
SC-OD35E-6-LED-LC	Self contained	34.50"	75.00"	115/208-230	16.0	1	L14-20P	1185
BLACK EXTERIOR & INTERIOR								
SC-OD35E-3-B-LED-LC	Self contained	34.50"	39.00"	115	14.0	1/2	5-20P	710
SC-OD35E-4-B-LED-LC	Self contained	34.50"	51.00"	115/208-230	13.0	3/4	L14-20P	975
SC-OD35E-5-B-LED-LC	Self contained	34.50"	63.00"	115/208-230	16.0	1	L14-20P	1185
SC-OD35E-6-B-LED-LC	Self contained	34.50"	75.00"	115/208-230	16.0	1	L14-20P	1185
STAINLESS STEEL EXTERIOR & INTERIOR								
SC-OD35E-3-S-LED-LC	Self contained	34.50"	39.00"	115	14.0	1/2	5-20P	710
SC-OD35E-4-S-LED-LC	Self contained	34.50"	51.00"	115/208-230	13.0	3/4	L14-20P	975
SC-OD35E-5-S-LED-LC	Self contained	34.50"	63.00"	115/208-230	16.0	1	L14-20P	1185
SC-OD35E-6-S-LED-LC	Self contained	34.50"	75.00"	115/208-230	16.0	1	L14-20P	1185

OPTIONS PAGE 64-65

Recommended Operating Conditions - 75°F @ 55% Relative Humidity





Open Merchandiser - MultiPurpose 78.5" H x 48" L

STANDARD FEATURES

- Designer White, Glossy Black Aluminum or Stainless Steel
- Endless Design for Continuous Lineups
- Front Bumper Rail comes with 1" Gray Bumper
- Energy Efficient LED Lighting
- 1 row at inside top of unit
- 4 rows of lighted shelving
- 5 levels of product display
- Price Tag Molding and Lights on Each Shelf
- Self Contained; R404A expansion valve system
- Choice of end panels
- UL Classified to ANSI/NSF 7

MULTIPURPOSE MERCHANDISER - LED LIT

Model No.	Description	Length	Depth	Height	Voltage	Amps	HP	Power Cord	Est. Ship Wt
WHITE EXTERIOR & INTERIOR									
SC-OD35E-48-LED	Self Contained	48.0"	34.5"	78.5"	115/208-230	13.0	3/4	L14-20P	965
BLACK EXTERIOR & INTERIOR									
SC-OD35E-48-B-LED	Self Contained	48.0"	34.5"	78.5"	115/208-230	13.0	3/4	L14-20P	965
STAINLESS STEEL EXTERIOR & INTERIOR									
SC-OD35E-48-S-LED	Self Contained	48.0"	34.5"	78.5"	115/208-230	13.0	3/4	L14-20P	965

Recommended Operating Conditions - 75°F @ 55% Relative Humidity

Open Merchandiser - MultiPurpose-Mobile Merchandiser 33"W x 60"H

FEATURES

- Available for Multipurpose
- Choice of Colors – Black or Stainless
- 2 Rows of lit shelves
- Price Tag Molding on Shelves
- New High Efficiency Air Screen Technology
- Electronic Control System with Automatic Defrost to Maintain Balanced Temperatures
- CONDENSATE SYSTEM INCLUDED

OPTIONS

- Night and Security Covers Available
- Hi-Volume Condensate Pan
- Front Bumper, Color and Sizes
- Exterior Custom Paints or Laminates
- Casters



MULTIPURPOSE MERCHANDISER - LED LIT

Model No.	Description	Length	Depth	Height	Voltage	Amps	HP	Power Cord	Est. Ship Wt
BLACK EXTERIOR & INTERIOR									
SC-OD35E-33L-B-LED	Self Contained	33.75"	34.5"	60.0"	115	16.0	1/2	5-20P	700

Recommended Operating Conditions - 75°F @ 55% Relative Humidity

OPTIONS PAGE 64-65

HMC Enterprises LLC

831 East Cayuga St. Philadelphia, PA 19124 USA • (215) 464-6800 • 1-800-344-8222
fax (215) 969-4890 • E-Mail: sales@howardmccray.com • www.howardmccray.com

OP Series 35E - Open Merchandiser Produce - 60" High



STANDARD FEATURES

- 34.5" Deep
- Designer White, Glossy Black Aluminum or Stainless Steel
- Endless Design for Continuous Lineups
- Front Bumper Rail with 1" Bumper
- Stylish 1-1/2" End Panels - See Page 43
- Choice of 3 Different Style End Panels: Curved Plexi, Straight Plexi or Solid
- Price Tag Molding and Lights on Each Shelf
- New High Efficiency Air Screen Technology
- Fits Through Most Doorways
- Remotes Available
- Electronic Control System to Maintain Balanced Temperatures
- Energy Efficient LED Lighting
- UL Classified to ANSI/NSF 7
- DRAIN IS REQUIRED



Recommended Operating Conditions - 75°F @ 55% Relative Humidity

OP Series 35E - Open Merchandiser Produce - 60" High

OPEN MERCHANDISER - PRODUCE - 60" HIGH - LED LIT

Model No.	Description	Depth	Length	Voltage	Amps	HP	Power Cord	Est. Ship Wt
WHITE EXTERIOR & INTERIOR								
SC-OP35E-3L-LED	Self contained	34.50"	39.00"	115	14.0	1/2	5-20P	655
SC-OP35E-4L-LED	Self contained	34.50"	51.00"	115	15.0	1/2	5-20P	685
SC-OP35E-5L-LED	Self contained	34.50"	63.00"	115/208-230	16.0	3/4	L14-20P	768
SC-OP35E-6L-LED	Self contained	34.50"	75.00"	115/208-230	16.0	3/4	L14-20P	850
BLACK EXTERIOR & INTERIOR								
SC-OP35E-3L-B-LED	Self contained	34.50"	39.00"	115	14.0	1/2	5-20P	655
SC-OP35E-4L-B-LED	Self contained	34.50"	51.00"	115	15.0	1/2	5-20P	685
SC-OP35E-5L-B-LED	Self contained	34.50"	63.00"	115/208-230	16.0	3/4	L14-20P	768
SC-OP35E-6L-B-LED	Self contained	34.50"	75.00"	115/208-230	16.0	3/4	L14-20P	850
STAINLESS STEEL EXTERIOR & INTERIOR								
SC-OP35E-3L-S-LED	Self contained	34.50"	39.00"	115	14.0	1/2	5-20P	655
SC-OP35E-4L-S-LED	Self contained	34.50"	51.00"	115	15.0	1/2	5-20P	685
SC-OP35E-5L-S-LED	Self contained	34.50"	63.00"	115/208-230	16.0	3/4	L14-20P	768
SC-OP35E-6L-S-LED	Self contained	34.50"	75.00"	115/208-230	16.0	3/4	L14-20P	850

OPEN MERCHANDISER - PRODUCE - 60" HIGH - REMOTES - LED LIT

Model No.	Description	Depth	Length	Voltage	Amps	BTUs	Power Cord	Est. Ship Wt
WHITE EXTERIOR & INTERIOR								
R-OP35E-3L-LED	Remote	34.50"	39.00"	115	2.0	3550	No	520
R-OP35E-4L-LED	Remote	34.50"	51.00"	115	3.0	4733	No	550
R-OP35E-5L-LED	Remote	34.50"	63.00"	115	4.0	5917	No	630
R-OP35E-6L-LED	Remote	34.50"	75.00"	115	4.0	7100	No	710
R-OP35E-8L-LED	Remote	35.75"	99.00"	115	6.0	9466	No	1100
R-OP35E-10L-LED	Remote	35.75"	123.00"	115	7.0	11833	No	1260
R-OP35E-12L-LED	Remote	35.75"	147.00"	115	8.0	14200	No	1420
BLACK EXTERIOR & INTERIOR								
R-OP35E-3L-B-LED	Remote	34.50"	39.00"	115	2.0	3550	No	520
R-OP35E-4L-B-LED	Remote	34.50"	51.00"	115	3.0	4733	No	550
R-OP35E-5L-B-LED	Remote	34.50"	63.00"	115	4.0	5917	No	630
R-OP35E-6L-B-LED	Remote	34.50"	75.00"	115	4.0	7100	No	710
R-OP35E-8L-B-LED	Remote	35.75"	99.00"	115	6.0	9466	No	1100
R-OP35E-10L-B-LED	Remote	35.75"	123.00"	115	7.0	11833	No	1260
R-OP35E-12L-B-LED	Remote	35.75"	147.00"	115	8.0	14200	No	1420
STAINLESS STEEL EXTERIOR & INTERIOR								
R-OP35E-3L-S-LED	Remote	34.50"	39.00"	115	2.0	3550	No	520
R-OP35E-4L-S-LED	Remote	34.50"	51.00"	115	3.0	4733	No	550
R-OP35E-5L-S-LED	Remote	34.50"	63.00"	115	4.0	5917	No	630
R-OP35E-6L-S-LED	Remote	34.50"	75.00"	115	4.0	7100	No	710
R-OP35E-8L-S-LED	Remote	35.75"	99.00"	115	6.0	9466	No	1100
R-OP35E-10L-S-LED	Remote	35.75"	123.00"	115	7.0	11833	No	1260
R-OP35E-12L-S-LED	Remote	35.75"	147.00"	115	8.0	14200	No	1420

OPTIONS PAGE 64-65



HMC Enterprises LLC

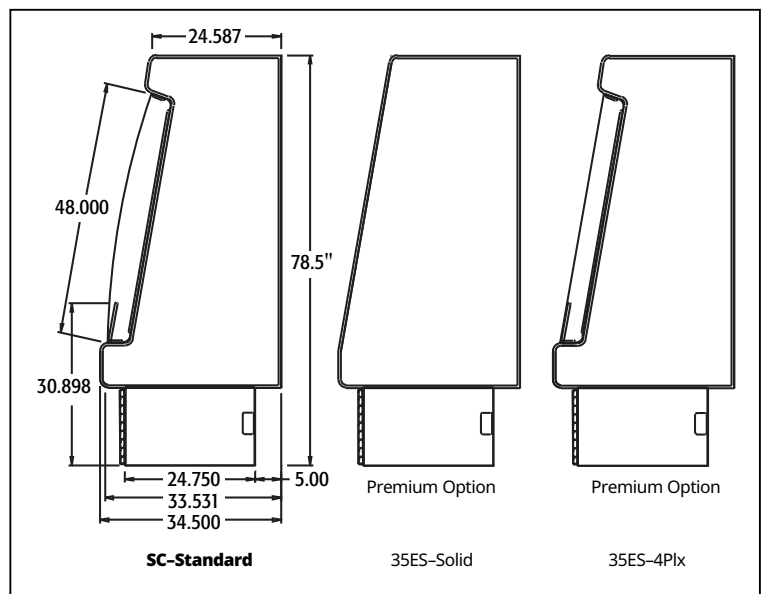
831 East Cayuga St. Philadelphia, PA 19124 USA • (215) 464-6800 • 1-800-344-8222
 fax (215) 969-4890 • E-Mail: sales@howardmccray.com • www.howardmccray.com

OP Series 35E - Open Merchandiser - Produce - 78.5" High



STANDARD FEATURES

- 34.5" Deep
- Designer White, Glossy Black Aluminum or Stainless Steel
- Endless Design for Continuous Lineups
- Front Bumper Rail with 1" Bumper
- Stylish 1-1/2" End Panels
- Choice of 3 Different Style End Panels: Curved Plexi, Straight Plexi or Solid
- Price Tag Molding and Lights Each Shelf
- Fits Through Most Doorways
- New High Efficiency Air Screen Technology
- Remotes Available
- Electronic Control System to Maintain Balanced Temperatures
- Energy Efficient LED Lighting
- UL Classified to ANSI/NSF 7
- DRAIN IS REQUIRED



Recommended Operating Conditions - 75°F @ 55% Relative Humidity

OP Series 35E - Open Merchandiser - Produce - 78.5" High

OPEN MERCHANDISER-PRODUCE - 78.5" HIGH - LED LIT

Model No.	Description	Depth	Length	Voltage	Amps	HP	Power Cord	Est. Ship Wt
WHITE EXTERIOR & INTERIOR								
SC-OP35E-3S-LED	Self contained	34.50"	39.00"	115	16.0	1/2	5-20P	700
SC-OP35E-4S-LED	Self contained	34.50"	51.00"	115/208-230	13.0	3/4	L14-20P	965
SC-OP35E-5S-LED	Self contained	34.50"	63.00"	115/208-230	16.0	1	L14-20P	1070
SC-OP35E-6S-LED	Self contained	34.50"	75.00"	115/208-230	16.0	1	L14-20P	1175
SC-OP35E-8S-LED**	Self contained	35.75"	99.00"	115/208-230	16.0	1	L14-20P	1580
BLACK EXTERIOR & INTERIOR								
SC-OP35E-3S-B-LED	Self contained	34.50"	39.00"	115	16.0	1/2	5-20P	700
SC-OP35E-4S-B-LED	Self contained	34.50"	51.00"	115/208-230	13.0	3/4	L14-20P	965
SC-OP35E-5S-B-LED	Self contained	34.50"	63.00"	115/208-230	16.0	1	L14-20P	1070
SC-OP35E-6S-B-LED	Self contained	34.50"	75.00"	115/208-230	16.0	1	L14-20P	1175
SC-OP35E-8S-B-LED**	Self contained	35.75"	99.00"	115/208-230	16.0	1	L14-20P	1580
STAINLESS STEEL EXTERIOR & INTERIOR								
SC-OP35E-3S-S-LED	Self contained	34.50"	39.00"	115	16.0	1/2	5-20P	700
SC-OP35E-4S-S-LED	Self contained	34.50"	51.00"	115/208-230	13.0	3/4	L14-20P	965
SC-OP35E-5S-S-LED	Self contained	34.50"	63.00"	115/208-230	16.0	1	L14-20P	1070
SC-OP35E-6S-S-LED	Self contained	34.50"	75.00"	115/208-230	16.0	1	L14-20P	1175
SC-OP35E-8S-S-LED**	Self contained	35.75"	99.00"	115/208-230	16.0	1	L14-20P	1580

OPEN MERCHANDISER-PRODUCE - 78.5" HIGH- REMOTES - LED LIT

Model No.	Description	Depth	Length	Voltage	Amps	BTUs	Power Cord	Est. Ship Wt
WHITE EXTERIOR & INTERIOR								
R-OP35E-3S-LED	Remote	34.50"	39.00"	115	2.0	4906	No	575
R-OP35E-4S-LED	Remote	34.50"	51.00"	115	3.0	6550	No	790
R-OP35E-5S-LED	Remote	34.50"	63.00"	115	4.1	8177	No	895
R-OP35E-6S-LED	Remote	34.50"	75.00"	115	4.0	9813	No	1000
R-OP35E-8S-LED**	Remote	35.75"	99.00"	115	6.0	13100	No	1580
R-OP35E-10S-LED**	Remote	35.75"	123.00"	115	7.0	16363	No	1790
R-OP35E-12S-LED**	Remote	35.75"	147.00"	115	8.0	19626	No	2000
BLACK EXTERIOR & INTERIOR								
R-OP35E-3S-B-LED	Remote	34.50"	39.00"	115	2.0	4906	No	575
R-OP35E-4S-B-LED	Remote	34.50"	51.00"	115	3.0	6550	No	790
R-OP35E-5S-B-LED	Remote	34.50"	63.00"	115	4.1	8177	No	895
R-OP35E-6S-B-LED	Remote	34.50"	75.00"	115	4.0	9813	No	1000
R-OP35E-8S-B-LED**	Remote	35.75"	99.00"	115	6.0	13100	No	1580
R-OP35E-10S-B-LED**	Remote	35.75"	123.00"	115	7.0	16363	No	1790
R-OP35E-12S-B-LED**	Remote	35.75"	147.00"	115	8.0	19626	No	2000
STAINLESS STEEL EXTERIOR & INTERIOR								
R-OP35E-3S-S-LED	Remote	34.50"	39.00"	115	2.0	4906	No	575
R-OP35E-4S-S-LED	Remote	34.50"	51.00"	115	3.0	6550	No	790
R-OP35E-5S-S-LED	Remote	34.50"	63.00"	115	4.1	8177	No	895
R-OP35E-6S-S-LED	Remote	34.50"	75.00"	115	4.0	9813	No	1000
R-OP35E-8S-S-LED**	Remote	35.75"	99.00"	115	6.0	13100	No	1580
R-OP35E-10S-S-LED**	Remote	35.75"	123.00"	115	7.0	16363	No	1790
R-OP35E-12S-S-LED**	Remote	35.75"	147.00"	115	8.0	19626	No	2000

** Height 79.75"

OPTIONS PAGE 64-65



HMC Enterprises LLC

831 East Cayuga St. Philadelphia, PA 19124 USA • (215) 464-6800 • 1-800-344-8222
 fax (215) 969-4890 • E-Mail: sales@howardmccray.com • www.howardmccray.com

OM Series 35E - Open Merchandiser Packaged Meats - 60" High



OPEN MERCHANDISER - PACKAGED MEATS - 60" HIGH - LED LIT

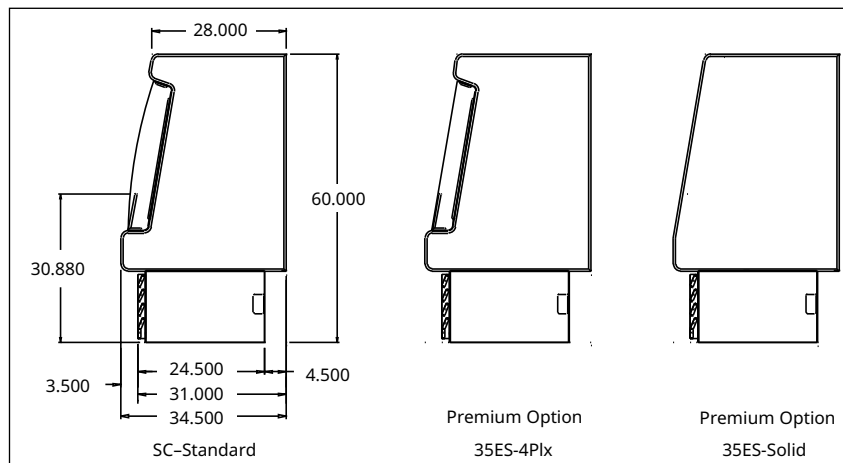
Model No.	Description	Depth	Length	Voltage	Amps	HP	Power Cord	Est. Ship Wt
WHITE EXTERIOR & INTERIOR								
SC-OM35E-3L-LED	Self contained	34.50"	39.00"	115	14.0	1/2	5-20P	700
SC-OM35E-4L-LED	Self contained	34.50"	51.00"	115	15.0	1/2	5-20P	965
SC-OM35E-5L-LED	Self contained	34.50"	63.00"	115/208-230	16.0	3/4	L14-20P	1070
SC-OM35E-6L-LED	Self contained	34.50"	75.00"	115/208-230	16.0	3/4	L14-20P	1175
BLACK EXTERIOR & INTERIOR								
SC-OM35E-3L-B-LED	Self contained	34.50"	39.00"	115	14.0	1/2	5-20P	700
SC-OM35E-4L-B-LED	Self contained	34.50"	51.00"	115	15.0	1/2	5-20P	965
SC-OM35E-5L-B-LED	Self contained	34.50"	63.00"	115/208-230	16.0	3/4	L14-20P	1070
SC-OM35E-6L-B-LED	Self contained	34.50"	75.00"	115/208-230	16.0	3/4	L14-20P	1175
STAINLESS STEEL EXTERIOR & INTERIOR								
SC-OM35E-3L-S-LED	Self contained	34.50"	39.00"	115	14.0	1/2	5-20P	700
SC-OM35E-4L-S-LED	Self contained	34.50"	51.00"	115	15.0	1/2	5-20P	965
SC-OM35E-5L-S-LED	Self contained	34.50"	63.00"	115/208-230	16.0	3/4	L14-20P	1070
SC-OM35E-6L-S-LED	Self contained	34.50"	75.00"	115/208-230	16.0	3/4	L14-20P	1175

Recommended Operating Conditions - 75°F @ 55% Relative Humidity

OM Series 35E - Open Merchandiser Packaged Meats - 60" High

Standard Features

- 34.5" Deep
- Designer White, Glossy Black Aluminum or Stainless Steel
- Endless Design for Continuous Lineups
- Front Bumper Rail with 1" Bumper
- Stylish 1-1/2" End Panels
- Choice of 3 Different Style End Panels: Curved Plexi, Straight Plexi or Solid
- Price Tag Molding and Lights Each Shelf
- Fits Through Most Doorways
- New High Efficiency Air Screen Technology
- Remotes Available
- Electronic Control System to Maintain Balanced Temperatures
- Energy Efficient LED Lighting
- UL Classified to ANSI/NSF 7
- DRAIN IS REQUIRED



OPEN MERCHANDISER - PACKAGED MEATS - 60" HIGH - REMOTES - LED LIT

Model No.	Description	Depth	Length	Voltage	Amps	BTUs	Power Cord	Est. Ship Wt
WHITE EXTERIOR & INTERIOR								
R-OM35E-3L-LED	Remote	34.50"	39.00"	115	2.0	3550	No	520
R-OM35E-4L-LED	Remote	34.50"	51.00"	115	3.0	4733	No	550
R-OM35E-5L-LED	Remote	34.50"	63.00"	115	4.0	5916	No	630
R-OM35E-6L-LED	Remote	34.50"	75.00"	115	4.0	7100	No	710
BLACK EXTERIOR & INTERIOR								
R-OM35E-3L-B-LED	Remote	34.50"	39.00"	115	2.0	3550	No	520
R-OM35E-4L-B-LED	Remote	34.50"	51.00"	115	3.0	4733	No	550
R-OM35E-5L-B-LED	Remote	34.50"	63.00"	115	4.0	5916	No	630
R-OM35E-6L-B-LED	Remote	34.50"	75.00"	115	4.0	7100	No	710
STAINLESS STEEL EXTERIOR & INTERIOR								
R-OM35E-3L-S-LED	Remote	34.50"	39.00"	115	2.0	3550	No	520
R-OM35E-4L-S-LED	Remote	34.50"	51.00"	115	3.0	4733	No	550
R-OM35E-5L-S-LED	Remote	34.50"	63.00"	115	4.0	5916	No	630
R-OM35E-6L-S-LED	Remote	34.50"	75.00"	115	4.0	7100	No	710

OPTIONS PAGE 104-105



HMC Enterprises LLC

831 East Cayuga St. Philadelphia, PA 19124 USA • (215) 464-6800 • 1-800-344-8222
 fax (215) 969-4890 • E-Mail: sales@howardmccray.com • www.howardmccray.com

OM Series 35E - Open Merchandiser Packaged Meats - 78.5" High



OPEN MERCHANDISER - PACKAGED MEATS - 78.5" HIGH - LED LIT

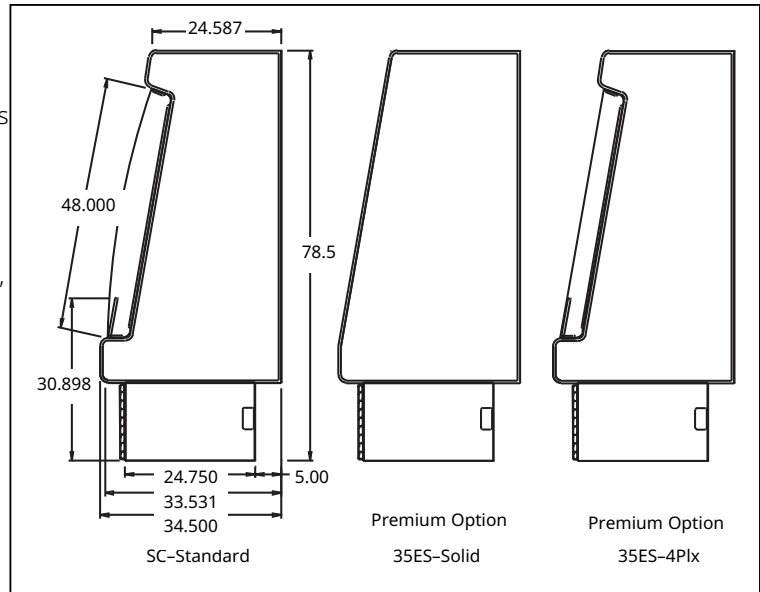
Model No.	Description	Depth	Length	Voltage	Amps	HP	Power Cord	Est. Ship Wt
WHITE EXTERIOR & INTERIOR								
SC-OM35E-3S-LED	Self contained	34.50"	39.00"	115	16.0	1/2	5-20P	700
SC-OM35E-4S-LED	Self contained	34.50"	51.00"	115/208-230	13.0	3/4	L14-20P	965
SC-OM35E-5S-LED	Self contained	34.50"	63.00"	115/208-230	16.0	1	L14-20P	1070
SC-OM35E-6S-LED	Self contained	34.50"	75.00"	115/208-230	16.0	1	L14-20P	1175
BLACK EXTERIOR & INTERIOR								
SC-OM35E-3S-B-LED	Self contained	34.50"	39.00"	115	16.0	1/2	5-20P	700
SC-OM35E-4S-B-LED	Self contained	34.50"	51.00"	115/208-230	13.0	3/4	L14-20P	965
SC-OM35E-5S-B-LED	Self contained	34.50"	63.00"	115/208-230	16.0	1	L14-20P	1070
SC-OM35E-6S-B-LED	Self contained	34.50"	75.00"	115/208-230	16.0	1	L14-20P	1175
STAINLESS STEEL EXTERIOR & INTERIOR								
SC-OM35E-3S-S-LED	Self contained	34.50"	39.00"	115	16.0	1/2	5-20P	700
SC-OM35E-4S-S-LED	Self contained	34.50"	51.00"	115/208-230	13.0	3/4	L14-20P	965
SC-OM35E-5S-S-LED	Self contained	34.50"	63.00"	115/208-230	16.0	1	L14-20P	1070
SC-OM35E-6S-S-LED	Self contained	34.50"	75.00"	115/208-230	16.0	1	L14-20P	1175

Recommended Operating Conditions - 75°F @ 55% Relative Humidity

OM Series 35E - Open Merchandiser Packaged Meats - 78.5" High

Standard Features

- 34.5" Deep
- Designer White, Glossy Black Aluminum or Stainless Steel
- Endless Design for Continuous Lineups
- Front Bumper Rail with 1" Bumper
- Stylish 1-1/2" End Panels
- Choice of 3 Different Style End Panels: Curved Plexi, Straight Plexi or Solid
- Price Tag Molding and Lights Each Shelf
- Fits Through Most Doorways
- New High Efficiency Air Screen Technology
- Remotes Available
- Electronic Control System to Maintain Balanced Temperatures
- Energy Efficient LED Lighting
- UL Classified to ANSI/NSF 7
- DRAIN IS REQUIRED



OPEN MERCHANDISER - PACKAGED MEATS - 78.5" HIGH - REMOTES - LED LIT

Model No.	Description	Depth	Length	Voltage	Amps	BTUs	Power Cord	Est. Ship Wt
WHITE EXTERIOR & INTERIOR								
R-OM35E-3S-LED	Remote	34.50"	39.00"	115	2.0	4906	No	575
R-OM35E-4S-LED	Remote	34.50"	51.00"	115	3.0	6550	No	790
R-OM35E-5S-LED	Remote	34.50"	63.00"	115	4.0	8177	No	895
R-OM35E-6S-LED	Remote	34.50"	75.00"	115	4.0	9813	No	1000
R-OM35E-8S-LED**	Remote	35.75"	99.00"	115	6.0	13100	No	1580
R-OM35E-10S-LED**	Remote	35.75"	123.00"	115	7.0	16363	No	1790
R-OM35E-12S-LED**	Remote	35.75"	147.00"	115	8.0	16800	No	2000
BLACK EXTERIOR & INTERIOR								
R-OM35E-3S-B-LED	Remote	34.50"	39.00"	115	2.0	4906	No	575
R-OM35E-4S-B-LED	Remote	34.50"	51.00"	115	3.0	6550	No	790
R-OM35E-5S-B-LED	Remote	34.50"	63.00"	115	4.0	8177	No	895
R-OM35E-6S-B-LED	Remote	34.50"	75.00"	115	4.0	9813	No	1000
R-OM35E-8S-B-LED**	Remote	35.75"	99.00"	115	6.0	13100	No	1580
R-OM35E-10S-B-LED**	Remote	35.75"	123.00"	115	7.0	16363	No	1790
R-OM35E-12S-B-LED**	Remote	35.75"	147.00"	115	8.0	16800	No	2000
STAINLESS STEEL EXTERIOR & INTERIOR								
R-OM35E-3S-S-LED	Remote	34.50"	39.00"	115	2.0	4906	No	575
R-OM35E-4S-S-LED	Remote	34.50"	51.00"	115	3.0	6550	No	790
R-OM35E-5S-S-LED	Remote	34.50"	63.00"	115	4.0	8177	No	895
R-OM35E-6S-S-LED	Remote	34.50"	75.00"	115	4.0	9813	No	1000
R-OM35E-8S-S-LED**	Remote	35.75"	99.00"	115	6.0	13100	No	1580
R-OM35E-10S-S-LED**	Remote	35.75"	123.00"	115	7.0	16363	No	1790
R-OM35E-12S-S-LED**	Remote	35.75"	147.00"	115	8.0	16800	No	2000

** Height 79.75".

OPTIONS PAGE 104-105



HMC Enterprises LLC

831 East Cayuga St. Philadelphia, PA 19124 USA • (215) 464-6800 • 1-800-344-8222
fax (215) 969-4890 • E-Mail: sales@howardmccray.com • www.howardmccray.com

D Series 32E - Open Merchandiser Multipurpose - 72" High



OPEN MERCHANDISER - MULTIPURPOSE - 72" HIGH - LED LIT

Model No.	Description	Depth	Length	Voltage	Amps	HP	Power Cord	Est. Ship Wt
WHITE EXTERIOR & INTERIOR								
SC-D32E-3-LED	Self contained	30.00"	38.00"	115	12.0	1/2	5-15P	700
SC-D32E-4-LED	Self contained	30.00"	50.00"	115	13.7	1/2	5-20P	700
SC-D32E-6-LED	Self contained	30.00"	74.00"	115/208-230	13.1	1	L14-20P	965
SC-D32E-8-LED	Self contained	30.00"	98.00"	115/208-230	14.3	1	L14-20P	1175
BLACK EXTERIOR & INTERIOR								
SC-D32E-3-B-LED	Self contained	30.00"	38.00"	115	12.0	1/2	5-15P	700
SC-D32E-4-B-LED	Self contained	30.00"	50.00"	115	13.7	1/2	5-20P	700
SC-D32E-6-B-LED	Self contained	30.00"	74.00"	115/208-230	13.1	1	L14-20P	965
SC-D32E-8-B-LED	Self contained	30.00"	98.00"	115/208-230	14.3	1	L14-20P	1175
STAINLESS STEEL EXTERIOR & INTERIOR								
SC-D32E-3-S-LED	Self contained	30.00"	38.00"	115	12.0	1/2	5-15P	700
SC-D32E-4-S-LED	Self contained	30.00"	50.00"	115	13.7	1/2	5-20P	700
SC-D32E-6-S-LED	Self contained	30.00"	74.00"	115/208-230	13.1	1	L14-20P	965
SC-D32E-8-S-LED	Self contained	30.00"	98.00"	115/208-230	14.3	1	L14-20P	1175

Recommended Operating Conditions - 75°F @ 55% Relative Humidity

D Series 32E - Open Merchandiser Multipurpose - 72" High

Standard Features

- Designer White, Glossy Black Aluminum or Stainless Steel EXTERIOR
- Endless Design for Continuous Lineups
- Front Bumper Rail with 1" Bumper
- Stylish 1" End Panels
- 4" Plexi Side View Panels
- Price Tag Molding and Lights Each Shelf
- Easy Access Front Panel for Serviceability
- Remotes Available
- Electronic Control System to Maintain Balanced Temperatures
- Energy Efficient LED Lighting
- UL Classified to ANSI/NSF 7
- DRAIN IS REQUIRED



OPEN MERCHANDISER - MULTIPURPOSE - 72" HIGH - REMOTES - LED LIT

Model No.	Description	Depth	Length	Voltage	Amps	BTUs	Power Cord	Est. Ship Wt
WHITE EXTERIOR & INTERIOR								
R-D32E-3-LED	Remote	30.00"	38.00"	115	1.4	3900	No	575
R-D32E-4-LED	Remote	30.00"	50.00"	115	2.2	5200	No	575
R-D32E-6-LED	Remote	30.00"	74.00"	115	2.8	7800	No	790
R-D32E-8-LED	Remote	30.00"	98.00"	115	4.3	10400	No	1000
R-D32E-10-LED**	Remote	31.25"	122.00"	115	7.0	13000	No	1365
R-D32E-12-LED**	Remote	31.25"	146.00"	115	8.0	15600	No	1580
BLACK EXTERIOR & INTERIOR								
R-D32E-3-B-LED	Remote	30.00"	38.00"	115	1.4	3900	No	575
R-D32E-4-B-LED	Remote	30.00"	50.00"	115	2.2	5200	No	575
R-D32E-6-B-LED	Remote	30.00"	74.00"	115	2.8	7800	No	790
R-D32E-8-B-LED	Remote	30.00"	98.00"	115	4.3	10400	No	1000
R-D32E-10-B-LED**	Remote	31.25"	122.00"	115	7.0	13000	No	1365
R-D32E-12-B-LED**	Remote	31.25"	146.00"	115	8.0	15600	No	1580
STAINLESS STEEL EXTERIOR & INTERIOR								
R-D32E-3-S-LED	Remote	30.00"	38.00"	115	1.4	3900	No	575
R-D32E-4-S-LED	Remote	30.00"	50.00"	115	2.2	5200	No	575
R-D32E-6-S-LED	Remote	30.00"	74.00"	115	2.8	7800	No	790
R-D32E-8-S-LED	Remote	30.00"	98.00"	115	4.3	10400	No	1000
R-D32E-10-S-LED**	Remote	31.25"	122.00"	115	7.0	13000	No	1365
R-D32E-12-S-LED**	Remote	31.25"	146.00"	115	8.0	15600	No	1580

** Height 73.25"

OPTIONS PAGE 64-65



HMC Enterprises LLC

831 East Cayuga St. Philadelphia, PA 19124 USA • (215) 464-6800 • 1-800-344-8222
 fax (215) 969-4890 • E-Mail: sales@howardmccray.com • www.howardmccray.com

P Series 32E - Open Merchandiser - Produce - 72" High



* Shown as Remote with Storage Bins

Standard Features

- Designer White, Glossy Black Aluminum or Stainless Steel
- Endless Design for Continuous Lineups
- Front Bumper Rail with 1" Bumper
- Price Tag Molding on Each Shelf
- 15" Product Reflecting Mirror
- Product Stop on Each Shelf
- Easy Access Front Panel for Serviceability
- Remotes Available
- Electronic Control System to Maintain Balanced Temperatures
- Energy Efficient LED Lighting
- UL Classified to ANSI/NSF 7
- DRAIN IS REQUIRED

OPEN MERCHANDISER - PRODUCE - 72" HIGH - LED LIT

Model No.	Description	Depth	Length	Voltage	Amps	HP	Power Cord	Est. Ship Wt
WHITE EXTERIOR & INTERIOR								
SC-P32E-4S-LED	Self contained	30.00"	50.00"	115	12.7	1/2	5-20P	700
SC-P32E-6S-LED	Self contained	30.00"	74.00"	115/208-230	13.5	1/2	L14-20P	965
SC-P32E-8S-LED	Self contained	30.00"	98.00"	115/208-230	12.6	3/4	L14-20P	1175
BLACK EXTERIOR & INTERIOR								
SC-P32E-4S-B-LED	Self contained	30.00"	50.00"	115	12.7	1/2	5-20P	700
SC-P32E-6S-B-LED	Self contained	30.00"	74.00"	115/208-230	13.5	1/2	L14-20P	965
SC-P32E-8S-B-LED	Self contained	30.00"	98.00"	115/208-230	12.6	3/4	L14-20P	1175
STAINLESS STEEL EXTERIOR & INTERIOR								
SC-P32E-4S-S-LED	Self contained	30.00"	50.00"	115	12.7	1/2	5-20P	700
SC-P32E-6S-S-LED	Self contained	30.00"	74.00"	115/208-230	13.5	1/2	L14-20P	965
SC-P32E-8S-S-LED	Self contained	30.00"	98.00"	115/208-230	12.6	3/4	L14-20P	1175
WITH PRODUCT STORAGE BINS (WHITE OR BLACK)								
SC-P32E-6S-Bins-LED	Self contained	30.00"	74.00"	115/208-230	13.5	1/2	L14-20P	1099
SC-P32E-8S-Bins-LED	Self contained	30.00"	98.00"	115/208-230	12.6	3/4	L14-20P	1375

Recommended Operating Conditions - 75°F @ 55% Relative Humidity

P Series 32E - Open Merchandiser - Produce - 72" High



* Shown as Remote with Storage Bins

OPEN MERCHANDISER - PRODUCE - 72" HIGH - REMOTES - LED LIT

Model No.	Description	Depth	Length	Voltage	Amps	BTUs	Power Cord	Est. Ship Wt
WHITE EXTERIOR & INTERIOR								
R-P32E-4S-LED	Remote	30.00"	50.00"	115	1.7	4000	No	575
R-P32E-6S-LED	Remote	30.00"	74.00"	115	2.0	6000	No	790
R-P32E-8S-LED	Remote	30.00"	98.00"	115	2.7	8000	No	1000
R-P32E-10S-LED**	Remote	31.25"	122.00"	115	7.0	10000	No	1365
R-P32E-12S-LED**	Remote	31.25"	146.00"	115	8.0	12000	No	1680
BLACK EXTERIOR & INTERIOR								
R-P32E-4S-B-LED	Remote	30.00"	50.00"	115	1.7	4000	No	575
R-P32E-6S-B-LED	Remote	30.00"	74.00"	115	2.0	6000	No	790
R-P32E-8S-B-LED	Remote	30.00"	98.00"	115	2.7	8000	No	1000
R-P32E-10S-B-LED**	Remote	31.25"	122.00"	115	7.0	10000	No	1365
R-P32E-12S-B-LED**	Remote	31.25"	146.00"	115	8.0	12000	No	1680
STAINLESS STEEL EXTERIOR & INTERIOR								
R-P32E-4S-S-LED	Remote	30.00"	50.00"	115	1.7	4000	No	575
R-P32E-6S-S-LED	Remote	30.00"	74.00"	115	2.0	6000	No	790
R-P32E-8S-S-LED	Remote	30.00"	98.00"	115	2.7	8000	No	1000
R-P32E-10S-S-LED**	Remote	31.25"	122.00"	115	7.0	10000	No	1365
R-P32E-12S-S-LED**	Remote	31.25"	146.00"	115	8.0	12000	No	1680
WITH PRODUCT STORAGE BINS (WHITE OR BLACK)								
R-P32E-4S-Bins-LED	Remote	30.00"	50.00"	115	1.7	4000	No	575
R-P32E-6S-Bins-LED	Remote	30.00"	74.00"	115	2.0	6000	No	790
R-P32E-8S-Bins-LED	Remote	30.00"	98.00"	115	2.7	8000	No	1000
R-P32E-10S-Bins-LED**	Remote	31.25"	122.00"	115	7.0	10000	No	1365
R-P32E-12S-Bins-LED**	Remote	31.25"	146.00"	115	8.0	12000	No	1680

** Height 73.25"

OPTIONS PAGE 64-65



HMC Enterprises LLC

831 East Cayuga St. Philadelphia, PA 19124 USA • (215) 464-6800 • 1-800-344-8222
 fax (215) 969-4890 • E-Mail: sales@howardmccray.com • www.howardmccray.com

M32E Series - Open Merchandiser Packaged Meats - 72" High



Standard Features

- Designer White, Glossy Black Aluminum or Stainless Steel
- Endless Design for Continuous Lineups
- Front Bumper Rail with 1" Bumper
- Price Tag Molding and Lights on Each Shelf
- Product Stop on Each Shelf
- Easy Access Front Panel for Serviceability
- Remotes Available
- Electronic Control System to Maintain Balanced Temperatures
- Energy Efficient LED Lighting
- UL Classified to ANSI/NSF 7
- DRAIN IS REQUIRED

OPEN MERCHANDISER - MEAT - 72" HIGH - LED LIT

Model No.	Description	Depth	Length	Voltage	Amps	HP	Power Cord	Est. Ship Wt
WHITE EXTERIOR & INTERIOR								
SC-M32E-3-LED	Self contained	30.00"	38.00"	115	12.0	1/2	5-15P	700
SC-M32E-4-LED	Self contained	30.00"	50.00"	115/208-230	11.3	3/4	L14-20P	700
SC-M32E-6-LED	Self contained	30.00"	74.00"	115/208-231	13.1	1	L14-20P	965
BLACK EXTERIOR & INTERIOR								
SC-M32E-3-B-LED	Self contained	30.00"	38.00"	115	12.0	1/2	5-15P	700
SC-M32E-4-B-LED	Self contained	30.00"	50.00"	115/208-230	11.3	3/4	L14-20P	700
SC-M32E-6-B-LED	Self contained	30.00"	74.00"	115/208-231	13.1	1	L14-20P	965
STAINLESS STEEL EXTERIOR & INTERIOR								
SC-M32E-3-S-LED	Self contained	30.00"	38.00"	115	12.0	1/2	5-15P	700
SC-M32E-4-S-LED	Self contained	30.00"	50.00"	115/208-230	11.3	3/4	L14-20P	700
SC-M32E-6-S-LED	Self contained	30.00"	74.00"	115/208-231	13.1	1	L14-20P	965

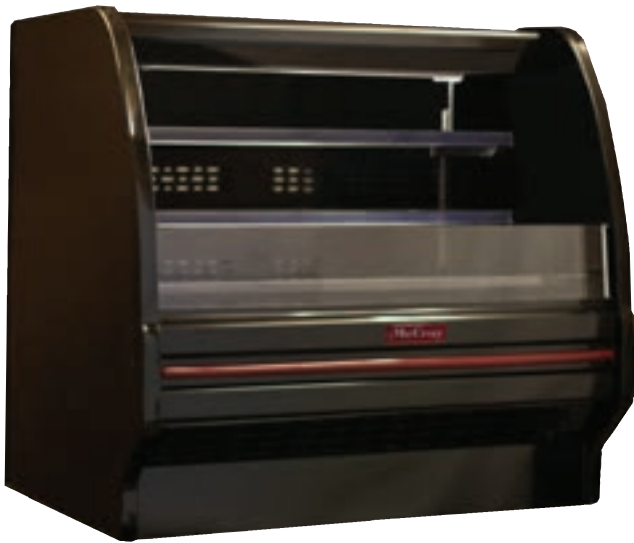
OPEN MERCHANDISER - MEAT - 72" HIGH - REMOTES - LED LIT

Model No.	Description	Depth	Length	Voltage	Amps	BTUs	Power Cord	Est. Ship Wt
WHITE EXTERIOR & INTERIOR								
R-M32E-3-LED	Remote	30.00"	38.00"	115	1.2	4200	No	575
R-M32E-4-LED	Remote	30.00"	50.00"	115	1.2	5600	No	575
R-M32E-6-LED	Remote	30.00"	74.00"	115	2.0	8400	No	790
R-M32E-8-LED	Remote	30.00"	98.00"	115	2.6	11200	No	1000
R-M32E-10-LED**	Remote	31.25"	122.00"	115	7.0	14000	No	1365
R-M32E-12-LED**	Remote	31.25"	146.00"	115	8.0	16800	No	1580
BLACK EXTERIOR & INTERIOR								
R-M32E-3-B-LED	Remote	30.00"	38.00"	115	1.2	4200	No	575
R-M32E-4-B-LED	Remote	30.00"	50.00"	115	1.2	5600	No	575
R-M32E-6-B-LED	Remote	30.00"	74.00"	115	2.0	8400	No	790
R-M32E-8-B-LED	Remote	30.00"	98.00"	115	2.6	11200	No	1000
R-M32E-10-B-LED**	Remote	31.25"	122.00"	115	7.0	14000	No	1365
R-M32E-12-B-LED**	Remote	31.25"	146.00"	115	8.0	16800	No	1580
STAINLESS STEEL EXTERIOR & INTERIOR								
R-M32E-3-S-LED	Remote	30.00"	38.00"	115	1.2	4200	No	575
R-M32E-4-S-LED	Remote	30.00"	50.00"	115	1.2	5600	No	575
R-M32E-6-S-LED	Remote	30.00"	74.00"	115	2.0	8400	No	790
R-M32E-8-S-LED	Remote	30.00"	98.00"	115	2.6	11200	No	1000
R-M32E-10-S-LED**	Remote	31.25"	122.00"	115	7.0	14000	No	1365
R-M32E-12-S-LED**	Remote	31.25"	146.00"	115	8.0	16800	No	1580

** Height 73.25".

Recommended Operating Conditions - 75°F @ 55% Relative Humidity

OD Series 40E - Open Merchandiser MultiPurpose - 53" High



Standard Features

- Designer White, Glossy Black Aluminum or Stainless Steel
- Endless Design for Continuous Lineups
- Designed to Line up with 40E Curved Glass Series
- Stylish 1-1/2" End Panels – Choice of End Trim Color - Gray or Black
- 2 Rows of Lit Shelving
- Various Shelving Packages Available
- Self Contained or Remote Refrigeration System
- New High Efficiency Air Screen Technology
- Energy Efficient LED Lighting
- Electronic Control System to Maintain Balanced Temperatures
- UL Classified to ANSI/NSF 7
- DRAIN IS REQUIRED

OPEN MERCHANDISER - MULTIPURPOSE - 53" HIGH - LED LIT

Model No.	Description	Depth	Length	Voltage	Amps	HP	Power Cord	Est. Ship Wt
WHITE EXTERIOR & INTERIOR								
SC-OD40E-3L-LED	Self Contained	40.00"	39.00"	115	14.0	1/2	5-20P	655
SC-OD40E-4L-LED	Self Contained	40.00"	51.00"	115	15.0	1/2	5-20P	685
SC-OD40E-6L-LED	Self Contained	40.00"	75.00"	115/208-230	16.0	3/4	L14-20P	850
BLACK EXTERIOR & INTERIOR								
SC-OD40E-3L-B-LED	Self Contained	40.00"	39.00"	115	14.0	1/2	5-20P	655
SC-OD40E-4L-B-LED	Self Contained	40.00"	51.00"	115	15.0	1/2	5-20P	685
SC-OD40E-6L-B-LED	Self Contained	40.00"	75.00"	115/208-230	16.0	3/4	L14-20P	850
STAINLESS STEEL EXTERIOR & INTERIOR								
SC-OD40E-3L-S-LED	Self Contained	40.00"	39.00"	115	14.0	1/2	5-20P	655
SC-OD40E-4L-S-LED	Self Contained	40.00"	51.00"	115	15.0	1/2	5-20P	685
SC-OD40E-6L-S-LED	Self Contained	40.00"	75.00"	115/208-230	16.0	3/4	L14-20P	850

OPEN MERCHANDISER - MULTIPURPOSE - 53" HIGH - REMOTES - LED LIT

Model No.	Description	Depth	Length	Voltage	Amps	HP	Power Cord	Est. Ship Wt
WHITE EXTERIOR & INTERIOR								
R-OD40E-3L-LED	Remote	40.00"	39.00"	115	2.0	3550	No	520
R-OD40E-4L-LED	Remote	40.00"	51.00"	115	3.0	4733	No	550
R-OD40E-6L-LED	Remote	40.00"	75.00"	115	3.0	7100	No	710
BLACK EXTERIOR & INTERIOR								
R-OD40E-B-3L-LED	Remote	40.00"	39.00"	115	2.0	3550	No	520
R-OD40E-B-4L-LED	Remote	40.00"	51.00"	115	3.0	4733	No	550
R-OD40E-B-6L-LED	Remote	40.00"	75.00"	115	3.0	7100	No	710
STAINLESS STEEL EXTERIOR & INTERIOR								
R-OD40E-3L-S-LED	Remote	40.00"	39.00"	115	2.0	3550	No	520
R-OD40E-4L-S-LED	Remote	40.00"	51.00"	115	3.0	4733	No	550
R-OD40E-6L-S-LED	Remote	40.00"	75.00"	115	3.0	7100	No	710

OPTIONS PAGE 64-65



HMC Enterprises LLC

831 East Cayuga St. Philadelphia, PA 19124 USA • (215) 464-6800 • 1-800-344-8222
 fax (215) 969-4890 • E-Mail: sales@howardmccray.com • www.howardmccray.com

Open Merchandisers - Options 30E-32E-35E-40E

9000R	End panel Deduct-Right	All	Per
9000L	End panel Deduct-Left	All	Each
InDiv	Insulated Divider	All	Each
Plex	Plexiglas Divider	All	Each
JK-XX-W	Joint Kit White	All	Each
JK-XX-B	Joint Kit Black	All	Each
JK-XX-SS	Joint Kit Stainless Steel	All	Each
Casters-4	Set 4 Casters	3', 4'	1 Set
Casters-6	Set 6 Casters	5', 6', 8'	1 Set
Legs-4	Set of 4 Legs-Black	3', 4'	1 Set
Legs-6	Set of 6 Legs-Black	5', 6', 8'	1 Set
Legs-4SS	Set of 4 Legs-Stainless	3', 4'	1 Set
Legs-6SS	Set of 6 Legs-Stainless	5', 6', 8'	1 Set
LL-1	Leveling Leg Only	OS	1
LL-4K	Leveling Leg set of 4-Kit	OS-3/4'	1 Set
LL-6K	Leveling Leg set of 6-Kit	OS-5/6'	1 Set
NC-3	Night Cover-3'	3'	Each
NC-3L	Night Cover-3L'	3L'	Each
NC-4	Night Cover-4'	4'	Each
NC-4L	Night Cover-4L'	4L'	Each
NC-5	Night Cover-5'	5'	Set
NC-5L	Night Cover-5L'	5L'	Set
NC-6	Night Cover-6'	6'	Set
NC-6L	Night Cover-6L'	6L'	Set
NC-8	Night Cover-8'	8	Set
NC-10	Night Cover-10'	10	Set
NC-12	Night Cover-12'	12	Set
ES-OD-30E-3	Extra Shelf-no light 3'	3' OD	Each
ES-OD-30E-4	Extra Shelf-no light 4'	4' OD	Each
ES-OD-30E-5	Extra Shelf-no light 5'	5' OD	Each
ES-OD-30E-6	Extra Row Shelves- no light 6'	6' OD	Set
ES-OD-30E-8	Extra Row Shelves- no light 8'	8' OD	Set
ES-OD-30E-10	Extra Row Shelves- no light 10'	10' OD	Set
ES-OD-30E-12	Extra Row Shelves- no light 12'	12' OD	Set
ES-OD3-30E-PS	Extra Shelf-no light 3' *	3' OP/M	Each
ES-OD4-30E-PS	Extra Shelf-no light 4' *	4' OP/M	Each
ES-OD5-30E-PS	Extra Shelf-no light 5' *	5' OP/M	Each
ES-OD6-30E-PS	Extra Row Shelves- no light 6' * 6' OP/M	Set	
ES-OD8-30E-PS	Extra Row Shelves- no light 8' * 8' OP/M	Set	
ES-OD10-30E-PS	Extra Row Shelves- no light 10' * 10' OP/M	Set	
ES-OD12-30E-PS	Extra Row Shelves- no light 12' * 12' OP/M	Set	

ES-D32E-3	Extra Shelf-no light 3'	3' D	Each
ES-D32E-4	Extra Shelf-no light 4'	4' D	Each
ES-D32E-6	Extra Row Shelves- no light 6'	6' D	Set
ES-D32E-8	Extra Row Shelves- no light 8'	8' D	Set
ES-D32E-10	Extra Row Shelves- no light 10'	10' D	Set
ES-D32E-12	Extra Row Shelves- no light 12'	12' D	Set
ES-D32E-3-PS	Extra Shelf-no light 3' *	3' P/M	Each
ES-D32E-4-PS	Extra Shelf-no light 4' *	4' P/M	Each
ES-D32E-6-PS	Extra Row Shelves- no light 6' * 6' P/M	Set	
ES-D32E-8-PS	Extra Row Shelves- no light 8' * 8' P/M	Set	
ES-D32E-10-PS	Extra Row Shelves- no light 10' * 10' P/M	Set	
ES-D32E-12-PS	Extra Row Shelves- no light 12' * 12' P/M	Set	
ES-OD35E-3	Extra Shelf-no light 3'	3' OD	Each
ES-OD35E-4	Extra Shelf-no light 4'	4' OD	Each
ES-OD35E-5	Extra Shelf-no light 5'	5' OD	Each
ES-OD35E-6	Extra Row Shelves- no light 6'	6' OD	Set
ES-OD35E-8	Extra Row Shelves- no light 8'	8' OD	Set
ES-OD35E-10	Extra Row Shelves- no light 10'	10' OD	Set
ES-OD35E-12	Extra Row Shelves- no light 12'	12' OD	Set
ES-OD35E-3PS	Extra Shelf-no light 3' *	3' OP/M	Each
ES-OD35E-4PS	Extra Shelf-no light 4' *	4' OP/M	Each
ES-OD35E-5PS	Extra Shelf-no light 5' *	5' OP/M	Each
ES-OD35E-6PS	Extra Row Shelves- no light 6' * 6' OP/M	Set	
ES-OD35E-8PS	Extra Row Shelves- no light 8' * 8' OP/M	Set	
ES-OD35E-10PS	Extra Row Shelves- no light 10' * 10' OP/M	Set	
ES-OD35E-12PS	Extra Row Shelves- no light 12' * 12' OP/M	Set	
PS-3	3" Product Stop 3'	3'	3' Strip
PS-4	3" Product Stop 4'	4'	4' Strip
PS-5	3" Product Stop 5'	5'	5' Strip
PS-6	3" Product Stop 6'	6'	(2)3' Strips
PS-8	3" Product Stop 8'	8'	(2)4' Strips
PS-10	3" Product Stop 10'	10'	(2)3' (1)4' Strips
PS-12	3" Product Stop 12'	12'	(4)3' Strips
TM-3	Price Tag Molding 3' Row-White	3'	3'Strip
TM-4	Price Tag Molding 4' Row-White	4'	4'Strip
TM-5	Price Tag Molding 5' Row-White	5'	5'Strip
TM-6	Price Tag Molding 6' Row-White	6'	(2)3' Strips
TM-8	Price Tag Molding 8' Row-White	8'	(2)4' Strips
TM-10	Price Tag Molding 10' Row-White	10'	(2)3' (1)4' Strips
TM-12	Price Tag Molding 12' Row-White	12'	(4)3' Strips
TM-3B	Price Tag Molding 3' Row-Black	3'	3' Strip
TM-4B	Price Tag Molding 4' Row-Black	4'	4'Strip
TM-5B	Price Tag Molding 5' Row-Black	5'	5'Strip

* With Product Stop

Recommended Operating Conditions - 75°F @ 55% Relative Humidity

Open Merchandisers - Options 30E-32E-35E-40E

TM-6B	Price Tag Molding 6' Row-Black	6'	(2) 3'Strip
TM-8B	Price Tag Molding 8' Row-Black	8'	(2) 4'Strip
TM-10B	Price Tag Molding 10' Row-Black	10'	(2)3' (1)4' Strips
TM-12B	Price Tag Molding 12' Row-Black	12'	(4) 3'Strip
PB-3	Peg Bar (1) 3' Row w/6 pegs	3' & 6'	(1) 3' Row
PB-4	Peg Bar (1) 4' Row w/9 pegs	4' & 8'	(1) 4' Row
HR-4	Hose & Reel Remote 4' only	4' P32E	Each
HR-6	Hose & Reel	6' P32E	Each
HR-8	Hose & Reel	8' P32E	Each
DT	Digital Thermometer	All	1
21-014-S	Temeachature Control	Remote	1
SV-O30	Solenoid Valve-Remote Units	3',4',5',6' & 8'	1
SV-OD35E-8	Solenoid Valve-Remote Units	OD35-8	2
SV-OD35-10/12	Solenoid Valve-Remote Units	10' & 12'	2
EVP-1000-7	Condensate Pan 1000 Watt-7 Qt-120V (Requires its own electrical outlet) (Please note drain is recommended)	3' & 4'	1
EVP-1440-15	Condensate Pan 1440 Watt-15 Qt-120V (Requires its own electrical outlet) (Please note drain is recommended)	5',6',8',10' & 12'	1

STRAIGHT SIDE CASES ONLY

Strip-3	4" Strip Curtains .60 Thick	3'	Per
Strip-4	4" Strip Curtains .60 Thick	4'	Per
Strip-6	4" Strip Curtains .60 Thick	6'	Set
Strip-8	4" Strip Curtains .60 Thick	8'	Set

END PANEL OPTIONS

30ES-Plx-60"	Wide curved Plexiglass	30E 60"	Each
30ES-Sloped-60"	Sloped Straight Plexiglass	30E 60"	Each
30ES-Cvr Plx-60"	Curved Plexiglass	30E 60"	Each
30ES-Solid-60"	Solid Side	30E 60"	Each
30ES-Cvr Plx-72"	Curved Plexiglass	30E 72"	Each
30ES-Solid-72"	Solid Side	30E 72"	Each
35ES-4Plx-60"	Sloped Straight Plexiglass	35E 60"	Each
35ES-Solid-60"	Solid Side	35E 60"	Each
35ES-4Plx-78.5"	Sloped Straight Plexiglass	35E 78.5"	Each
35ES-Solid-78.5"	Solid Side	35E 78.5"	Each
35E-4Plx-Straight 78.5"	Straight 4" Plexiglass	35E 78.5"	Each
35E-Plx-Straight Cvr Plx	Curved Plexiglass	35E 78.5"	Each
35E-Straight 10Plx	Wide Straight Plexiglass	35E 78.5"	Each

STRAIGHT END PANEL UNITS ONLY

RL-OD35E-3	Roll Lock Cover 3'	3' OD35E	Each
RL-OD35E-4	Roll Lock Cover 4'	4' OD35E	Each
RL-OD35E-6	Roll Lock Cover 6'	6' OD35E	Each

STRAIGHT END PANEL UNITS ONLY*

* Security Covers will be stainless steel regardless of case color.

SC-3-OS	Security Cover 3'	3' OS	Each
SC-4-OS	Security Cover 4'	4' OS	Each
SC-5-OS	Security Cover 5'	5' OS	Each
SC-6-OS	Security Cover 6'	6' OS	Each
SC-3-OD30	Security Cover 3'	3' OD/P/M	Each
SC-4-OD30	Security Cover 4'	4' OD/P/M	Each
SC-5-OD30	Security Cover 5'	5' OD/P/M	Set
SC-6-OD30	Security Cover 6'	6' OD/P/M	Set
SC-8-OD30	Security Cover 8'	8' OD/P/M	Set
SC-3-D32	Security Cover 3'	3' D/P/M	Each
SC-4-D32	Security Cover 4'	4' D/P/M	Each
SC-6-D32	Security Cover 6'	6' D/P/M	Set
SC-8-D32	Security Cover 8'	8' D/P/M	Set
SC-10-D32	Security Cover 10'	10' D/P/M	Set
SC-12-D32	Security Cover 12'	12' D/P/M	Set
SC-3-OD35	Security Cover 3'	3' OD/P/M	Each
SC-4-OD35	Security Cover 4'	4' OD/P/M	Each
SC-5-OD35	Security Cover 5'	5' OD/P/M	Set
SC-6-OD35	Security Cover 6'	6' OD/P/M	Set
SC-8-OD35	Security Cover 8'	8' OD/P/M	Set
SC-10-OD35	Security Cover 10'	10' OD/P/M	Set
SC-12-OD35	Security Cover 12'	12' OD/P/M	Set
9000-SS	Stainless Steel Ext End panels	All	Each
9001-SS	Stainless Steel Ex Front	All	Per Ft
9002-SS	Stainless Steel Int End panels	All	Each
9003-SS	Stainless Steel Int (No End panels)	All	Per Ft
9000-XX	Special Painted Color Ext End panels	All	Each
9001-XX	Special Painted Color Ext Front	All	Per Ft
9050-XX	Special Painted Color Rear Outside	All	Per Ft
9000-XX	Special Laminate* Ext End panels	All	Each End
9001-XX	Special Laminate* Ext Front *	All	Per Ft
9050-XX	Special Laminate* Rear Outside	All	Per Ft
*some custom Laminates may be more			
Bump-1	Special Color Bumper 1"	All	per foot
Bump-2	Special Color Bumper 2"	All	per foot
CONT-O30	Contactator		1
RELAY-O30	Relay		1

"MADE TO ORDER" DISCLAIMER:

"Added Options" on Howard McCray units are considered "MADE TO ORDER". They will require a deposit and cannot be cancelled or returned once the order has been confirmed.

This includes: Remote Units, Stainless Steel, Special Colors, and Line-ups of Multiple Units.

Service Case Installations



Stand Alone Service Cases

Deli
Red Meat
Fish & Poultry
Hot Food
Stand Alone
Double Duty
Straight Glass



*Red Meat Case shown with Optional Mezzanine Shelf



HMC Enterprises LLC

831 East Cayuga St. Philadelphia, PA 19124 USA • (215) 464-6800 • 1-800-344-8222
fax (215) 969-4890 • E-Mail: sales@howardmccray.com • www.howardmccray.com

34N Series Service Cases - Deli - 55" High Double Duty



Standard Features

- Designer White, Glossy Black Aluminum or Stainless Steel Exterior
- Designer White or Stainless Steel Interior
- Gray Bumper - 1"
- Epoxy Coated Main Deck Shelves
- Heavy Duty Bright Stainless Steel Top
- 2 Rows of LED Lighting at Top Of Unit
- Automatic Condensate Pan (SC UNITS ONLY)
- Full Length Gravity Coil Located Inside Top
- Full Length Gravity Coil Located Bottom Storage Area
- Thermal Insulated 28" Front Glass
- Extra Large Easy Glide Rear Doors
- Electronically Controlled Temperature & Defrost
- Full Length Mezzanine Shelf (Deli Only)
- Energy Efficient LED Lighting
- UL Classified to ANSI/NSF 7

DELI CASE - 55" HIGH - LED LIT

Model No.	Description	Depth	Length	Voltage	Amps	HP	Power Cord	Est. Ship Wt
WHITE EXTERIOR & INTERIOR								
SC-CDS34N-4-LED	Self contained	36.25"***	48.00"	115	12.0	1/4	5-15P	530
SC-CDS34N-6-LED	Self contained	34.25"	72.00"	115	12.0	1/3	5-15P	741
SC-CDS34N-8-LED	Self contained	34.25"	96.00"	115	16.0	1/2	5-20P	897
SC-CDS34N-10-LED	Self contained	34.25"	120.00"	115	13.8	1/2	No	1150
SC-CDS34N-12-LED	Self contained	34.25"	144.00"	115	17.4	3/4	No	1414
BLACK EXTERIOR & WHITE INTERIOR								
SC-CDS34N-4-BE-LED	Self contained	36.25"***	48.00"	115	12.0	1/4	5-15P	530
SC-CDS34N-6-BE-LED	Self contained	34.25"	72.00"	115	12.0	1/3	5-15P	741
SC-CDS34N-8-BE-LED	Self contained	34.25"	96.00"	115	16.0	1/2	5-20P	897
SC-CDS34N-10-BE-LED	Self contained	34.25"	120.00"	115	13.8	1/2	No	1150
SC-CDS34N-12-BE-LED	Self contained	34.25"	144.00"	115	17.4	3/4	No	1414
STAINLESS STEEL EXTERIOR & INTERIOR								
SC-CDS34N-4-S-LED	Self contained	36.25"***	48.00"	115	12.0	1/4	5-15P	530
SC-CDS34N-6-S-LED	Self contained	34.25"	72.00"	115	12.0	1/3	5-15P	741
SC-CDS34N-8-S-LED	Self contained	34.25"	96.00"	115	16.0	1/2	5-20P	897
SC-CDS34N-10-S-LED	Self contained	34.25"	120.00"	115	13.8	1/2	No	1150
SC-CDS34N-12-S-LED	Self contained	34.25"	144.00"	115	17.4	3/4	No	1414

***Self Contained 4' Cases with 2" Deep Removable External Swing Door.

OPTIONS PAGE 104-105

Recommended Operating Conditions - 75°F @ 55% Relative Humidity

34N Series Service Cases - Deli - 55" High Double Duty

DELI CASE - 55" HIGH - LED LIT MEZZANINE SHELF

Model No.	Description	Depth	Length	Voltage	Amps	HP	Power Cord	Est. Ship Wt
WHITE EXTERIOR & INTERIOR								
SC-CDS34N-4-LS-LED	Self contained	36.25***	48.00"	115	12.0	1/4	5-15P	530
SC-CDS34N-6-LS-LED	Self contained	34.25"	72.00"	115	12.0	1/3	5-15P	741
SC-CDS34N-8-LS-LED	Self contained	34.25"	96.00"	115	16.0	1/2	5-20P	897
SC-CDS34N-10-LS-LED	Self contained	34.25"	120.00"	115	15.0	1/2	No	1150
SC-CDS34N-12-LS-LED	Self contained	34.25"	144.00"	115	18.6	3/4	No	1414
BLACK EXTERIOR & WHITE INTERIOR								
SC-CDS34N-4-BE-LS-LED	Self contained	36.25***	48.00"	115	12.0	1/4	5-15P	530
SC-CDS34N-6-BE-LS-LED	Self contained	34.25"	72.00"	115	12.0	1/3	5-15P	741
SC-CDS34N-8-BE-LS-LED	Self contained	34.25"	96.00"	115	12.4	1/2	5-20P	897
SC-CDS34N-10-BE-LS-LED	Self contained	34.25"	120.00"	115	15.0	1/2	No	1150
SC-CDS34N-12-BE-LS-LED	Self contained	34.25"	144.00"	115	18.6	3/4	No	1414
STAINLESS STEEL EXTERIOR & INTERIOR								
SC-CDS34N-4-S-LS-LED	Self contained	36.25***	48.00"	115	12.0	1/4	5-15P	530
SC-CDS34N-6-S-LS-LED	Self contained	34.25"	72.00"	115	12.0	1/3	5-15P	741
SC-CDS34N-8-S-LS-LED	Self contained	34.25"	96.00"	115	12.4	1/2	5-20P	897
SC-CDS34N-10-S-LS-LED	Self contained	34.25"	120.00"	115	15.0	1/2	No	1150
SC-CDS34N-12-S-LS-LED	Self contained	34.25"	144.00"	115	18.6	3/4	No	1414

DELI CASE - 55" HIGH - REMOTES - LED LIT

Model No.	Description	Depth	Length	Voltage	Amps	BTUs	Power Cord	Est. Ship Wt
WHITE EXTERIOR & INTERIOR								
R-CDS34N-4-LED	Remote	34.25"	48.00"	115	0.8	1400	No	497
R-CDS34N-6-LED	Remote	34.25"	72.00"	115	1.3	2100	No	693
R-CDS34N-8-LED	Remote	34.25"	96.00"	115	1.6	2800	No	832
R-CDS34N-10-LED	Remote	34.25"	120.00"	115	2.4	3500	No	1089
R-CDS34N-12-LED	Remote	34.25"	144.00"	115	2.4	4200	No	1359
BLACK EXTERIOR & WHITE INTERIOR								
R-CDS34N-4-BE-LED	Remote	34.25"	48.00"	115	0.8	1400	No	497
R-CDS34N-6-BE-LED	Remote	34.25"	72.00"	115	1.3	2100	No	693
R-CDS34N-8-BE-LED	Remote	34.25"	96.00"	115	1.6	2800	No	832
R-CDS34N-10-BE-LED	Remote	34.25"	120.00"	115	2.4	3500	No	1089
R-CDS34N-12-BE-LED	Remote	34.25"	144.00"	115	2.4	4200	No	1359
STAINLESS STEEL EXTERIOR & INTERIOR								
R-CDS34N-4-S-LED	Remote	34.25"	48.00"	115	0.8	1400	No	497
R-CDS34N-6-S-LED	Remote	34.25"	72.00"	115	1.3	2100	No	693
R-CDS34N-8-S-LED	Remote	34.25"	96.00"	115	1.6	2800	No	832
R-CDS34N-10-S-LED	Remote	34.25"	120.00"	115	2.4	3500	No	1089
R-CDS34N-12-S-LED	Remote	34.25"	144.00"	115	2.4	4200	No	1359

DELI CASE - 55" HIGH - REMOTES - LED LIT MEZZANINE SHELF

WHITE EXTERIOR & INTERIOR								
R-CDS34N-4-LS-LED	Remote	34.25"	48.00"	115	0.8	1400	No	497
R-CDS34N-6-LS-LED	Remote	34.25"	72.00"	115	1.3	2100	No	693
R-CDS34N-8-LS-LED	Remote	34.25"	96.00"	115	1.6	2800	No	832
R-CDS34N-10-LS-LED	Remote	34.25"	120.00"	115	2.4	3500	No	1089
R-CDS34N-12-LS-LED	Remote	34.25"	144.00"	115	2.4	4200	No	1359
BLACK EXTERIOR & WHITE INTERIOR								
R-CDS34N-4-BE-LS-LED	Remote	34.25"	48.00"	115	0.8	1400	No	497
R-CDS34N-6-BE-LS-LED	Remote	34.25"	72.00"	115	1.3	2100	No	693
R-CDS34N-8-BE-LS-LED	Remote	34.25"	96.00"	115	1.6	2800	No	832
R-CDS34N-10-BE-LS-LED	Remote	34.25"	120.00"	115	2.4	3500	No	1089
R-CDS34N-12-BE-LS-LED	Remote	34.25"	144.00"	115	2.4	4200	No	1359
STAINLESS STEEL EXTERIOR & INTERIOR								
R-CDS34N-4-S-LS-LED	Remote	34.25"	48.00"	115	0.8	1400	No	497
R-CDS34N-6-S-LS-LED	Remote	34.25"	72.00"	115	1.3	2100	No	693
R-CDS34N-8-S-LS-LED	Remote	34.25"	96.00"	115	1.6	2800	No	832
R-CDS34N-10-S-LS-LED	Remote	34.25"	120.00"	115	2.4	3500	No	1089
R-CDS34N-12-S-LS-LED	Remote	34.25"	144.00"	115	2.4	4200	No	1359

34N Series Service Cases - Red Meat 55" High - Double Duty



Shown with Optional Lighted Mezzanine Shelf

Standard Features

- Designer White, Glossy Black Aluminum or Stainless Steel Exterior
- Designer White or Stainless Steel Interior
- Gray Bumper - 1"
- Epoxy Coated Main Deck Shelves
- Heavy Duty Bright Stainless Steel Top
- 2 Rows of LED Lighting at Top Of Unit
- Automatic Condensate Pan (SC UNITS ONLY)
- Full Length Gravity Coil Located Inside Top
- Full Length Gravity Coil Located Bottom Storage Area
- Thermal Insulated 28" Front Glass
- Extra Large Easy Glide Rear Doors
- Electronically Controlled Temperature & Defrost
- Humidity Coil Below Main Deck (Meat Only)
- Energy Efficient LED Lighting
- UL Classified to ANSI/NSF



Shown with Optional Lighted Mezzanine Shelf

Recommended Operating Conditions - 75°F @ 55% Relative Humidity



34N Series Service Cases - Red Meat 55" High - Double Duty

RED MEAT CASE - 55" HIGH - LED LIT

Model No.	Description	Depth	Length	Voltage	Amps	HP	Power Cord	Est. Ship Wt
WHITE EXTERIOR & INTERIOR								
SC-CMS34N-4-LED	Self contained	36.25"***	48.00"	115	12.0	1/4	5-15P	530
SC-CMS34N-6-LED	Self contained	34.25"	72.00"	115	12.0	1/3	5-15P	741
SC-CMS34N-8-LED	Self contained	34.25"	96.00"	115	16.0	1/2	5-20P	897
SC-CMS34N-10-LED	Self contained	34.25"	120.00"	115	13.8	1/2	No	1150
SC-CMS34N-12-LED	Self contained	34.25"	144.00"	115	17.4	3/4	No	1414
BLACK EXTERIOR & WHITE INTERIOR								
SC-CMS34N-4-BE-LED	Self contained	36.25"***	48.00"	115	12.0	1/4	5-15P	530
SC-CMS34N-6-BE-LED	Self contained	34.25"	72.00"	115	12.0	1/3	5-15P	741
SC-CMS34N-8-BE-LED	Self contained	34.25"	96.00"	115	16.0	1/2	5-20P	897
SC-CMS34N-10-BE-LED	Self contained	34.25"	120.00"	115	13.8	1/2	No	1150
SC-CMS34N-12-BE-LED	Self contained	34.25"	144.00"	115	17.4	3/4	No	1414
STAINLESS STEEL EXTERIOR & INTERIOR								
SC-CMS34N-4-S-LED	Self contained	36.25"***	48.00"	115	12.0	1/4	5-15P	530
SC-CMS34N-6-S-LED	Self contained	34.25"	72.00"	115	12.0	1/3	5-15P	741
SC-CMS34N-8-S-LED	Self contained	34.25"	96.00"	115	16.0	1/2	5-20P	897
SC-CMS34N-10-S-LED	Self contained	34.25"	120.00"	115	13.8	1/2	No	1150
SC-CMS34N-12-S-LED	Self contained	34.25"	144.00"	115	17.4	3/4	No	1414

RED MEAT CASE - 55" HIGH - REMOTES - LED LIT

Model No.	Description	Depth	Length	Voltage	Amps	BTUs	Power Cord	Est. Ship Wt
WHITE EXTERIOR & INTERIOR								
R-CMS34N-4-LED	Remote	34.25"	48.00"	115	0.8	1400	No	497
R-CMS34N-6-LED	Remote	34.25"	72.00"	115	1.3	2100	No	693
R-CMS34N-8-LED	Remote	34.25"	96.00"	115	1.6	2800	No	832
R-CMS34N-10-LED	Remote	34.25"	120.00"	115	2.4	3500	No	1089
R-CMS34N-12-LED	Remote	34.25"	144.00"	115	2.4	4200	No	1359
BLACK EXTERIOR & INTERIOR								
R-CMS34N-4-BE-LED	Remote	34.25"	48.00"	115	0.8	1400	No	497
R-CMS34N-6-BE-LED	Remote	34.25"	72.00"	115	1.3	2100	No	693
R-CMS34N-8-BE-LED	Remote	34.25"	96.00"	115	1.6	2800	No	832
R-CMS34N-10-BE-LED	Remote	34.25"	120.00"	115	2.4	3500	No	1089
R-CMS34N-12-BE-LED	Remote	34.25"	144.00"	115	2.4	4200	No	1359
STAINLESS STEEL EXTERIOR & INTERIOR								
R-CMS34N-4-S-LED	Remote	34.25"	48.00"	115	0.8	1400	No	497
R-CMS34N-6-S-LED	Remote	34.25"	72.00"	115	1.3	2100	No	693
R-CMS34N-8-S-LED	Remote	34.25"	96.00"	115	1.6	2800	No	832
R-CMS34N-10-S-LED	Remote	34.25"	120.00"	115	2.4	3500	No	1089
R-CMS34N-12-S-LED	Remote	34.25"	144.00"	115	2.4	4200	No	1359

***Self Contained 4' Cases with 2" Deep Removable External Swing Door.

OPTIONS PAGE 104-105



HMC Enterprises LLC

831 East Cayuga St. Philadelphia, PA 19124 USA • (215) 464-6800 • 1-800-344-8222
fax (215) 969-4890 • E-Mail: sales@howardmccray.com • www.howardmccray.com

34N Series Service Cases - Fish & Poultry 55" High - Double Duty



Standard Features

- Designer White, Glossy Black Aluminum or Stainless Steel Exterior
- Designer White or Stainless Steel Interior
- Gray Bumper - 1"
- Heavy Duty Bright Stainless Steel Top
- 2 Rows of LED Lighting at Top Of Unit
- Automatic Condensate Pan (SC UNITS ONLY)
- Full Length Gravity Coil Located Inside Top
- Thermal Insulated 28" Front Glass
- Extra Large Easy Glide Rear Doors
- Electronically Controlled Temperature & Defrost
- Stainless Steel Ice Pan (Fish /Poultry Only)
- Energy Efficient LED Lighting
- UL Classified to ANSI/NSF
- Drain is Required

Recommended Operating Conditions - 75°F @ 55% Relative Humidity



34N Series Service Cases - Fish & Poultry 55" High - Double Duty

FISH & POULTRY CASE - 55" HIGH - LED LIT

Model No.	Description	Depth	Length	Voltage	Amps	HP	Power Cord	Est. Ship Wt
WHITE EXTERIOR & INTERIOR								
SC-CFS34N-4-LED	Self contained	36.25"	48.00"	115	12.0	1/4	5-15P	530
SC-CFS34N-6-LED	Self contained	34.25"	72.00"	115	12.0	1/4	5-15P	741
SC-CFS34N-8-LED	Self contained	34.25"	96.00"	115	16.0	1/3	5-20P	897
SC-CFS34N-10-LED	Self contained	34.25"	120.00"	115	9.9	1/3	No	1150
SC-CFS34N-12-LED	Self contained	34.25"	144.00"	115	13.8	1/2	No	1414
BLACK EXTERIOR & WHITE INTERIOR								
SC-CFS34N-4-BE-LED	Self contained	36.25"	48.00"	115	12.0	1/4	5-15P	530
SC-CFS34N-6-BE-LED	Self contained	34.25"	72.00"	115	12.0	1/4	5-15P	741
SC-CFS34N-8-BE-LED	Self contained	34.25"	96.00"	115	16.0	1/3	5-20P	897
SC-CFS34N-10-BE-LED	Self contained	34.25"	120.00"	115	9.9	1/3	No	1150
SC-CFS34N-12-BE-LED	Self contained	34.25"	144.00"	115	13.8	1/2	No	1414
STAINLESS STEEL EXTERIOR & INTERIOR								
SC-CFS34N-4-S-LED	Self contained	36.25"	48.00"	115	12.0	1/4	5-15P	530
SC-CFS34N-6-S-LED	Self contained	34.25"	72.00"	115	12.0	1/4	5-15P	741
SC-CFS34N-8-S-LED	Self contained	34.25"	96.00"	115	16.0	1/3	5-20P	897
SC-CFS34N-10-S-LED	Self contained	34.25"	120.00"	115	9.9	1/3	No	1150
SC-CFS34N-12-S-LED	Self contained	34.25"	144.00"	115	13.8	1/2	No	1414

FISH & POULTRY CASE - 55" HIGH - REMOTES - LED LIT

Model No.	Description	Depth	Length	Voltage	Amps	BTUs	Power Cord	Est. Ship Wt
WHITE EXTERIOR & INTERIOR								
R-CFS34N-4-LED	Remote	34.25"	48.00"	115	0.8	820	No	497
R-CFS34N-6-LED	Remote	34.25"	72.00"	115	1.3	1230	No	693
R-CFS34N-8-LED	Remote	34.25"	96.00"	115	1.6	1640	No	832
R-CFS34N-10-LED	Remote	34.25"	120.00"	115	2.4	2050	No	1089
R-CFS34N-12-LED	Remote	34.25"	144.00"	115	2.4	2460	No	1359
BLACK EXTERIOR & WHITE INTERIOR								
R-CFS34N-4-BE-LED	Remote	34.25"	48.00"	115	0.8	820	No	497
R-CFS34N-6-BE-LED	Remote	34.25"	72.00"	115	1.3	1230	No	693
R-CFS34N-8-BE-LED	Remote	34.25"	96.00"	115	1.6	1640	No	832
R-CFS34N-10-BE-LED	Remote	34.25"	120.00"	115	2.4	2050	No	1089
R-CFS34N-12-BE-LED	Remote	34.25"	144.00"	115	2.4	2460	No	1359
STAINLESS STEEL EXTERIOR & INTERIOR								
R-CFS34N-4-S-LED	Remote	34.25"	48.00"	115	0.8	820	No	497
R-CFS34N-6-S-LED	Remote	34.25"	72.00"	115	1.3	1230	No	693
R-CFS34N-8-S-LED	Remote	34.25"	96.00"	115	1.6	1640	No	832
R-CFS34N-10-S-LED	Remote	34.25"	120.00"	115	2.4	2050	No	1089
R-CFS34N-12-S-LED	Remote	34.25"	144.00"	115	2.4	2460	No	1359

**Self Contained 4' Cases with 2" Deep Removable External Swing Door.

OPTIONS PAGE 104-105



HMC Enterprises LLC

831 East Cayuga St. Philadelphia, PA 19124 USA • (215) 464-6800 • 1-800-344-8222
fax (215) 969-4890 • E-Mail: sales@howardmccray.com • www.howardmccray.com

35 Series Service Cases - Deli - 52" - Double Duty

Standard Features

- Designer White, Glossy Black Aluminum or Stainless Steel Exterior
- Designer White or Stainless Steel Interior
- Gray Bumper - 1"
- Epoxy Coated Main Deck Shelves
- Heavy Duty Bright Stainless Steel Top
- Automatic Condensate Pan (SC UNITS ONLY)
- Full Length Gravity Coil Located Inside Top
- Full Length Gravity Coil Located Bottom Storage Area
- Thermal Efficient Front Glass
- Easy Glide Rear Doors
- Full Length Mezzanine Shelf (Deli Only)
- Energy Efficient LED Lighting
- UL Classified to ANSI/NSF 7



Recommended Operating Conditions - 75°F @ 55% Relative Humidity

35 Series Service Cases - Deli - 52" - Double Duty

DELI CASE - 52" HIGH - LED LIT

Model No.	Description	Depth	Length	Voltage	Amps	HP	Power Cord	Est. Ship Wt
WHITE EXTERIOR & INTERIOR								
SC-CDS35-4-LED	Self contained	37.50 ^{**}	50.00"	115	12.0	1/4	5-15P	500
SC-CDS35-6-LED	Self contained	35.50"	71.00"	115	12.0	1/3	5-15P	645
SC-CDS35-8-LED	Self contained	35.50"	95.00"	115	16.0	1/2	5-20P	900
SC-CDS35-10-LED	Self contained	35.50"	119.00"	115	13.8	1/2	No	1230
SC-CDS35-12-LED	Self contained	35.50"	143.00"	115	17.4	3/4	No	1344
BLACK EXTERIOR & WHITE INTERIOR								
SC-CDS35-4-BE-LED	Self contained	37.50 ^{**}	50.00"	115	12.0	1/4	5-15P	500
SC-CDS35-6-BE-LED	Self contained	35.50"	71.00"	115	12.0	1/3	5-15P	645
SC-CDS35-8-BE-LED	Self contained	35.50"	95.00"	115	16.0	1/2	5-20P	900
SC-CDS35-10-BE-LED	Self contained	35.50"	119.00"	115	13.8	1/2	No	1230
SC-CDS35-12-BE-LED	Self contained	35.50"	143.00"	115	17.4	3/4	No	1344
STAINLESS STEEL EXTERIOR & INTERIOR								
SC-CDS35-4-S-LED	Self contained	37.50 ^{**}	50.00"	115	12.0	1/4	5-15P	500
SC-CDS35-6-S-LED	Self contained	35.50"	71.00"	115	12.0	1/3	5-15P	645
SC-CDS35-8-S-LED	Self contained	35.50"	95.00"	115	16.0	1/2	5-20P	900
SC-CDS35-10-S-LED	Self contained	35.50"	119.00"	115	13.8	1/2	No	1230
SC-CDS35-12-S-LED	Self contained	35.50"	143.00"	115	17.4	3/4	No	1344

DELI CASE - 52" HIGH - DELI CASE - REMOTES - LED LIT

Model No.	Description	Depth	Length	Voltage	Amps	BTUs	Power Cord	Est. Ship Wt
WHITE EXTERIOR & INTERIOR								
R-CDS35-4-LED	Remote	37.50 ^{**}	50.00"	115	0.8	1400	No	460
R-CDS35-6-LED	Remote	35.50"	71.00"	115	1.3	2100	No	595
R-CDS35-8-LED	Remote	35.50"	95.00"	115	1.6	2800	No	845
R-CDS35-10-LED	Remote	35.50"	119.00"	115	2.4	3500	No	1175
R-CDS35-12-LED	Remote	35.50"	143.00"	115	2.4	4200	No	1295
BLACK EXTERIOR & WHITE INTERIOR								
R-CDS35-4-BE-LED	Remote	37.50 ^{**}	50.00"	115	0.8	1400	No	460
R-CDS35-6-BE-LED	Remote	35.50"	71.00"	115	1.3	2100	No	595
R-CDS35-8-BE-LED	Remote	35.50"	95.00"	115	1.6	2800	No	845
R-CDS35-10-BE-LED	Remote	35.50"	119.00"	115	2.4	3500	No	1175
R-CDS35-12-BE-LED	Remote	35.50"	143.00"	115	2.4	4200	No	1295
STAINLESS STEEL EXTERIOR & INTERIOR								
R-CDS35-4-S-LED	Remote	37.50 ^{**}	50.00"	115	0.8	1400	No	460
R-CDS35-6-S-LED	Remote	35.50"	71.00"	115	1.3	2100	No	595
R-CDS35-8-S-LED	Remote	35.50"	95.00"	115	1.6	2800	No	845
R-CDS35-10S-LED	Remote	35.50"	119.00"	115	2.4	3500	No	1175
R-CDS35-12-S-LED	Remote	35.50"	143.00"	115	2.4	4200	No	1295

** Includes 2" for Bottom Swing Door - 37.50"

OPTIONS PAGE 104-105



HMC Enterprises LLC

831 East Cayuga St. Philadelphia, PA 19124 USA • (215) 464-6800 • 1-800-344-8222
 fax (215) 969-4890 • E-Mail: sales@howardmccray.com • www.howardmccray.com

35 Series Service Cases - Red Meat 52" High - Double Duty

Standard Features

- Designer White, Glossy Black Aluminum or Stainless Steel Exterior
- Designer White or Stainless Steel Interior
- Gray Bumper - 1"
- Heavy Duty Bright Stainless Steel Top
- Automatic Condensate Pan (SC UNITS ONLY)
- Full Length Gravity Coil Located Inside Top
- Full Length Gravity Coil Located Bottom Storage Area
- Thermal Efficient Front Glass
- Easy Glide Rear Doors
- Humidity Coil at Main Deck Level (Meat Only)
- Energy Efficient LED Lighting
- UL Classified to ANSI/NSF 7



RED MEAT CASE - 52" HIGH - LED LIT

Model No.	Description	Depth	Length	Voltage	Amps	HP	Power Cord	Est. Ship Wt
WHITE EXTERIOR & INTERIOR								
SC-CMS35-4-LED	Self contained	37.50"	50.00"	115	12.0	1/4	5-15P	500
SC-CMS35-6-LED	Self contained	35.50"	71.00"	115	12.0	1/3	5-15P	645
SC-CMS35-8-LED	Self contained	35.50"	95.00"	115	16.0	1/2	5-20P	900
SC-CMS35-10-LED	Self contained	35.50"	119.00"	115	13.8	1/2	No	1230
SC-CMS35-12-LED	Self contained	35.50"	143.00"	115	17.4	3/4	No	1344
BLACK EXTERIOR & WHITE INTERIOR								
SC-CMS35-4-BE-LED	Self contained	37.50"	50.00"	115	12.0	1/4	5-15P	500
SC-CMS35-6-BE-LED	Self contained	35.50"	71.00"	115	12.0	1/3	5-15P	645
SC-CMS35-8-BE-LED	Self contained	35.50"	95.00"	115	16.0	1/2	5-20P	900
SC-CMS35-10-BE-LED	Self contained	35.50"	119.00"	115	13.8	1/2	No	1230
SC-CMS35-12-BE-LED	Self contained	35.50"	143.00"	115	17.4	3/4	No	1344
STAINLESS STEEL EXTERIOR & INTERIOR								
SC-CMS35-4-S-LED	Self contained	37.50"	50.00"	115	12.0	1/4	5-15P	500
SC-CMS35-6-S-LED	Self contained	35.50"	71.00"	115	12.0	1/3	5-15P	645
SC-CMS35-8-S-LED	Self contained	35.50"	95.00"	115	16.0	1/2	5-20P	900
SC-CMS35-10-S-LED	Self contained	35.50"	119.00"	115	13.8	1/2	No	1230
SC-CMS35-12-S-LED	Self contained	35.50"	143.00"	115	17.4	3/4	No	1344

RED MEAT CASE - 52" HIGH - REMOTES - LED LIT

Model No.	Description	Depth	Length	Voltage	Amps	BTUs	Power Cord	Est. Ship Wt
R-CMS35-4-LED*	Remote	35.50"	50.00"	115	0.8	1400	No	460
R-CMS35-6-LED*	Remote	35.50"	71.00"	115	1.3	2100	No	595
R-CMS35-8-LED*	Remote	35.50"	95.00"	115	1.6	2800	No	845
R-CMS35-10-LED*	Remote	35.50"	119.00"	115	2.4	3500	No	1175
R-CMS35-12-LED*	Remote	35.50"	143.00"	115	2.4	4200	No	1295

*Remotes available in Black and Stainless Steel Exteriors

**Self Contained 4' Cases with 2" Deep Removable External Swing Door.

Recommended Operating Conditions - 75°F @ 55% Relative Humidity



35 Series Service Cases - Fish & Poultry 52" High - Double Duty

Standard Features

- Designer White, Glossy Black Aluminum or Stainless Steel Exterior
- Designer White or Stainless Steel Interior
- Gray Bumper - 1"
- Heavy Duty Bright Stainless Steel Top
- Automatic Condensate Pan (SC UNITS ONLY)
- Full Length Gravity Coil Located Inside Top
- Thermal Efficient Front Glass
- Easy Glide Rear Doors
- Stainless Steel Ice Pan (Fish/Poultry Only)
- Energy Efficient LED Lighting
- UL Classified to ANSI/NSF 7
- DRAIN IS REQUIRED



FISH & POULTRY - 52" HIGH - LED LIT

Model No.	Description	Depth	Length	Voltage	Amps	HP	Power Cord	Est. Ship Wt
WHITE EXTERIOR & INTERIOR								
SC-CFS35-4-LED	Self contained	37.50"	50.00"	115	12.0	1/4	5-15P	500
SC-CFS35-6-LED	Self contained	35.50"	71.00"	115	12.0	1/4	5-15P	645
SC-CFS35-8-LED	Self contained	35.50"	95.00"	115	16.0	1/3	5-20P	900
SC-CFS35-10-LED	Self contained	35.50"	119.00"	115	9.9	1/3	No	1230
SC-CFS35-12-LED	Self contained	35.50"	143.00"	115	13.8	1/2	No	1344
BLACK EXTERIOR & WHITE INTERIOR								
SC-CFS35-4-BE-LED	Self contained	37.50"	50.00"	115	12.0	1/4	5-15P	500
SC-CFS35-6-BE-LED	Self contained	35.50"	71.00"	115	12.0	1/4	5-15P	645
SC-CFS35-8-BE-LED	Self contained	35.50"	95.00"	115	16.0	1/3	5-20P	900
SC-CFS35-10-BE-LED	Self contained	35.50"	119.00"	115	9.9	1/3	No	1230
SC-CFS35-12-BE-LED	Self contained	35.50"	143.00"	115	13.8	1/2	No	1344
STAINLESS STEEL EXTERIOR & INTERIOR								
SC-CFS35-4-S-LED	Self contained	37.50"	50.00"	115	12.0	1/4	5-15P	500
SC-CFS35-6-S-LED	Self contained	35.50"	71.00"	115	12.0	1/4	5-15P	645
SC-CFS35-8-S-LED	Self contained	35.50"	95.00"	115	16.0	1/3	5-20P	900
SC-CFS35-10-S-LED	Self contained	35.50"	119.00"	115	9.9	1/3	No	1230
SC-CFS35-12-S-LED	Self contained	35.50"	143.00"	115	13.8	1/2	No	1344

FISH & POULTRY - 52" HIGH - REMOTES - LED LIT

Model No.	Description	Depth	Length	Voltage	Amps	BTUs	Power Cord	Est. Ship Wt
R-CFS35-4-LED	Remote	37.50"	50.00"	115	0.8	820	No	460
R-CFS35-6-LED	Remote	35.50"	71.00"	115	1.3	1230	No	595
R-CFS35-8-LED	Remote	35.50"	95.00"	115	1.6	1640	No	845
R-CFS35-10-LED	Remote	35.50"	119.00"	115	2.4	2050	No	1175
R-CFS35-12-LED	Remote	35.50"	143.00"	115	2.4	2460	No	1295

*Remotes available in Black and Stainless Steel Exteriors

**Self Contained 4' Cases with 2" Deep Removable External Swing Door.

OPTIONS PAGE 104-105

HMC Enterprises LLC

831 East Cayuga St. Philadelphia, PA 19124 USA • (215) 464-6800 • 1-800-344-8222
fax (215) 969-4890 • E-Mail: sales@howardmccray.com • www.howardmccray.com

35 Series Service Cases - Hot Cases 52" High - Double Duty



Standard Features

- Designer White, Glossy Black Aluminum or Stainless Steel Exterior
- Designer White or Stainless Steel Interior
- Gray Bumper - 1"
- Heavy Duty Bright Stainless Steel Top
- Single Pane Vented Front Glass
- Easy Glide Rear Doors
- Wet or Dry Heated Wells
- ETL classified under NSF & UL
- Voltage: 120/240 or 120/208; 1 phase or 3 phase

HOT CASES - 52" HIGH

Model No.	Description	Depth	Length	Voltage	Amps	Power Cord	Est. Ship Wt
WHITE EXTERIOR & INTERIOR							
CHS35-4	3 Wells	35.50"	50.00"	120/240/3	4.4/11.6	No	450
CHS35-6	4 Wells	35.50"	71.00"	120/240/3	5.8/17.6	No	595
CHS35-8	6 Wells	35.50"	95.00"	120/240/3	8.7/23.1	No	1025
BLACK INTERIOR & WHITE EXTERIOR							
CHS35-4-BE	3 Wells	35.50"	50.00"	120/240/3	4.4/11.6	No	450
CHS35-6-BE	4 Wells	35.50"	71.00"	120/240/3	5.8/17.6	No	595
CHS35-8-BE	6 Wells	35.50"	95.00"	120/240/3	8.7/23.1	No	1025
STAINLESS STEEL EXTERIOR & INTERIOR							
CHS35-4-S	3 Wells	35.50"	50.00"	120/240/3	4.4/11.6	No	450
CHS35-6-S	4 Wells	35.50"	71.00"	120/240/3	5.8/17.6	No	595
CHS35-8-S	6 Wells	35.50"	95.00"	120/240/3	8.7/23.1	No	1025

Recommended Operating Conditions - 75°F @ 55% Relative Humidity

OPTIONS PAGE 104-105

SERVICE CASES
STAND ALONE

Endless Service Cases

Deli
Red Meat
Fish & Poultry
Bakery
Stand Alone
Double Duty
Straight Glass
Curved Glass
Pass Thru



HMC Enterprises LLC

831 East Cayuga St. Philadelphia, PA 19124 USA • (215) 464-6800 • 1-800-344-8222
fax (215) 969-4890 • E-Mail: sales@howardmccray.com • www.howardmccray.com

32E Series Endless Curved Glass - Deli 50.5" High - Single Duty

Standard Features

- Designer White or Black Exterior & Designer White Interior
- Bright Stainless Steel Interior Ends
- Gray Bumper - 1"
- Mirrored Stainless Inside Ends Standard
- Heavy Duty Bright Stainless Steel Top
- Full Length Gravity Coil Located Inside Top
- Thermal Insulated Curved Front Glass
- Automatic Condensate Pan (SC UNITS ONLY)
- Endless Design for Continuous Lineups
Mirrored Stainless Steel Between Each Case
- Extra Large Easy Glide Rear Doors
- Mezzanine Shelf
- Energy Efficient LED Lighting
- UL Classified to ANSI/NSF 7



DELI CASE - LED LIT

Model No.	Description	Depth	Length	Voltage	Amps	HP	Power Cord	Est. Ship Wt
WHITE EXTERIOR & INTERIOR (MIRRORED STAINLESS INSIDE ENDS)								
SC-CDS32E-4C-LED	Self contained	30.50"	50.00"	115	12.0	1/4	5-15P	500
SC-CDS32E-6C-LED	Self contained	30.50"	74.00"	115	12.0	1/3	5-15P	710
SC-CDS32E-8C-LED	Self contained	30.50"	98.00"	115	16.0	1/2	5-20P	940
BLACK EXTERIOR & WHITE INTERIOR (MIRRORED STAINLESS INSIDE ENDS)								
SC-CDS32E-4C-BE-LED	Self contained	30.50"	50.00"	115	12.0	1/4	5-15P	500
SC-CDS32E-6C-BE-LED	Self contained	30.50"	74.00"	115	12.0	1/3	5-15P	710
SC-CDS32E-8C-BE-LED	Self contained	30.50"	98.00"	115	16.0	1/2	5-20P	940
STAINLESS EXTERIOR & INTERIOR (MIRRORED STAINLESS INSIDE ENDS)								
SC-CDS32E-4C-S-LED	Self contained	30.50"	50.00"	115	12.0	1/4	5-15P	500
SC-CDS32E-6C-S-LED	Self contained	30.50"	74.00"	115	12.0	1/3	5-15P	710
SC-CDS32E-8C-S-LED	Self contained	30.50"	98.00"	115	16.0	1/2	5-20P	940

DELI CASE - REMOTES - LED LIT

Model No.	Description	Depth	Length	Voltage	Amps	BTUs	Power Cord	Est. Ship Wt
WHITE EXTERIOR & WHITE INTERIOR (MIRRORED STAINLESS INSIDE ENDS)								
R-CDS32E-4C-LED	Remote	30.50"	50.00"	115	1.4	1400	No	460
R-CDS32E-6C-LED	Remote	30.50"	74.00"	115	2.2	2100	No	660
R-CDS32E-8C-LED	Remote	30.50"	98.00"	115	2.8	2800	No	910
BLACK EXTERIOR & WHITE INTERIOR (MIRRORED STAINLESS INSIDE ENDS)								
R-CDS32E-4C-BE-LED	Remote	30.50"	50.00"	115	1.4	1400	No	460
R-CDS32E-6C-BE-LED	Remote	30.50"	74.00"	115	2.2	2100	No	660
R-CDS32E-8C-BE-LED	Remote	30.50"	98.00"	115	2.8	2800	No	910
STAINLESS EXTERIOR & INTERIOR (MIRRORED STAINLESS INSIDE ENDS)								
R-CDS32E-4C-S-LED	Remote	30.50"	50.00"	115	1.4	1400	No	460
R-CDS32E-6C-S-LED	Remote	30.50"	74.00"	115	2.2	2100	No	660
R-CDS32E-8C-S-LED	Remote	30.50"	98.00"	115	2.8	2800	No	910

Recommended Operating Conditions - 75°F @ 55% Relative Humidity

32E Series Endless Curved Glass - Red Meat 50.5" High - Single Duty

Standard Features

- Designer White, Glossy Black Aluminum or Stainless Steel Exterior
- Designer White or Stainless Steel Interior
- Gray Bumper - 1"
- Mirrored Stainless Inside Ends Standard
- Heavy Duty Bright Stainless Steel Top
- Automatic Condensate Pan (SC UNITS ONLY)
- Full Length Gravity Coil Located Inside Top
- Endless Design Allows for Continuous Lineups
- Thermal Insulated Curved Front Glass
- Extra Large Easy Glide Rear Doors
- Electronically Controlled Temperature & Defrost
- Humidity Coil Below Main Deck (Meat Only)
- Energy Efficient LED Lighting
- UL Classified to ANSI/NSF 7



RED MEAT - LED LIT

Model No.	Description	Depth	Length	Voltage	Amps	HP	Power Cord	Est. Ship Wt
WHITE EXTERIOR & WHITE INTERIOR (MIRRORED STAINLESS INSIDE ENDS)								
SC-CMS32E-4C-LED	Self contained	30.50"	50.00"	115	12.0	1/4	5-15P	500
SC-CMS32E-6C-LED	Self contained	30.50"	74.00"	115	12.0	1/3	5-15P	710
SC-CMS32E-8C-LED	Self contained	30.50"	98.00"	115	16.0	1/2	5-20P	940
BLACK EXTERIOR & WHITE INTERIOR (MIRRORED STAINLESS INSIDE ENDS)								
SC-CMS32E-4C-BE-LED	Self contained	30.50"	50.00"	115	12.0	1/4	5-15P	500
SC-CMS32E-6C-BE-LED	Self contained	30.50"	74.00"	115	12.0	1/3	5-15P	710
SC-CMS32E-8C-BE-LED	Self contained	30.50"	98.00"	115	16.0	1/2	5-20P	940
STAINLESS EXTERIOR & INTERIOR (MIRRORED STAINLESS INSIDE ENDS)								
SC-CMS32E-4C-S-LED	Self contained	30.50"	50.00"	115	12.0	1/4	5-15P	500
SC-CMS32E-6C-S-LED	Self contained	30.50"	74.00"	115	12.0	1/3	5-15P	710
SC-CMS32E-8C-S-LED	Self contained	30.50"	98.00"	115	16.0	1/2	5-20P	940

RED MEAT - REMOTES - LED LIT

Model No.	Description	Depth	Length	Voltage	Amps	BTUs	Power Cord	Est. Ship Wt
WHITE EXTERIOR & INTERIOR (MIRRORED STAINLESS INSIDE ENDS)								
R-CMS32E-4C-LED	Remote	30.50"	50.00"	115	1.4	1400	No	460
R-CMS32E-6C-LED	Remote	30.50"	74.00"	115	2.2	2100	No	660
R-CMS32E-8C-LED	Remote	30.50"	98.00"	115	2.8	2800	No	910
BLACK EXTERIOR & WHITE INTERIOR (MIRRORED STAINLESS INSIDE ENDS)								
R-CMS32E-4C-BE-LED	Remote	30.50"	50.00"	115	1.4	1400	No	460
R-CMS32E-6C-BE-LED	Remote	30.50"	74.00"	115	2.2	2100	No	660
R-CMS32E-8C-BE-LED	Remote	30.50"	98.00"	115	2.8	2800	No	910
STAINLESS EXTERIOR & INTERIOR (MIRRORED STAINLESS INSIDE ENDS)								
R-CMS32E-4C-S-LED	Remote	30.50"	50.00"	115	1.4	1400	No	460
R-CMS32E-6C-S-LED	Remote	30.50"	74.00"	115	2.2	2100	No	660
R-CMS32E-8C-S-LED	Remote	30.50"	98.00"	115	2.8	2800	No	910

OPTIONS PAGE 104-105

HMC Enterprises LLC

831 East Cayuga St. Philadelphia, PA 19124 USA • (215) 464-6800 • 1-800-344-8222
fax (215) 969-4890 • E-Mail: sales@howardmccray.com • www.howardmccray.com

32E Series Endless Curved Glass - Fish/Poultry 50.5" High - Single Duty

Standard Features

- Designer White, Glossy Black Aluminum or Stainless Steel Exterior
- Designer White or Stainless Steel Interior
- Gray Bumper - 1"
- Mirrored Stainless Inside Ends Standard
- Heavy Duty Bright Stainless Steel Top
- Automatic Condensate Pan (SC UNITS ONLY)
- Full Length Gravity Coil Located Inside Top
- Endless Design Allows for Continuous Lineups
- Thermal Insulated Curved Front Glass
- Extra Large Easy Glide Rear Doors
- Electronically Controlled Temperature & Defrost
- Stainless Steel Ice Pans (Fish/Poultry Only)
- Energy Efficient LED Lighting
- UL Classified to ANSI/NSF 7
- DRAIN IS REQUIRED



FISH & POULTRY - LED LIT

Model No.	Description	Depth	Length	Voltage	Amps	HP	Power Cord	Est. Ship Wt
WHITE EXTERIOR & INTERIOR (MIRRORED STAINLESS INSIDE ENDS)								
SC-CFS32E-4C-LED	Self contained	30.50"	50.00"	115	12.0	1/4	5-15P	470
SC-CFS32E-6C-LED	Self contained	30.50"	74.00"	115	12.0	1/4	5-15P	680
SC-CFS32E-8C-LED	Self contained	30.50"	98.00"	115	16.0	1/3	5-20P	910
BLACK EXTERIOR & WHITE INTERIOR (MIRRORED STAINLESS INSIDE ENDS)								
SC-CFS32E-4C-BE-LED	Self contained	30.50"	50.00"	115	12.0	1/4	5-15P	470
SC-CFS32E-6C-BE-LED	Self contained	30.50"	74.00"	115	12.0	1/4	5-15P	680
SC-CFS32E-8C-BE-LED	Self contained	30.50"	98.00"	115	16.0	1/3	5-20P	910
STAINLESS EXTERIOR & INTERIOR (MIRRORED STAINLESS INSIDE ENDS)								
SC-CFS32E-4C-S-LED	Self contained	30.50"	50.00"	115	12.0	1/4	5-15P	470
SC-CFS32E-6C-S-LED	Self contained	30.50"	74.00"	115	12.0	1/4	5-15P	680
SC-CFS32E-8C-S-LED	Self contained	30.50"	98.00"	115	16.0	1/3	5-20P	910

FISH & POULTRY - REMOTES - LED LIT

Model No.	Description	Depth	Length	Voltage	Amps	BTUs	Power Cord	Est. Ship Wt
WHITE EXTERIOR & INTERIOR (MIRRORED STAINLESS INSIDE ENDS)								
R-CFS32E-4C-LED	Remote	30.50"	50.00"	115	0.8	820	No	430
R-CFS32E-6C-LED	Remote	30.50"	74.00"	115	1.6	1230	No	630
R-CFS32E-8C-LED	Remote	30.50"	98.00"	115	1.6	1640	No	860
BLACK EXTERIOR & INTERIOR (MIRRORED STAINLESS INSIDE ENDS)								
R-CFS32E-4C-BE-LED	Remote	30.50"	50.00"	115	0.8	820	No	430
R-CFS32E-6C-BE-LED	Remote	30.50"	74.00"	115	1.6	1230	No	630
R-CFS32E-8C-BE-LED	Remote	30.50"	98.00"	115	1.6	1640	No	860
STAINLESS EXTERIOR & INTERIOR (MIRRORED STAINLESS INSIDE ENDS)								
R-CFS32E-4C-S-LED	Remote	30.50"	50.00"	115	0.8	820	No	430
R-CFS32E-6C-S-LED	Remote	30.50"	74.00"	115	1.6	1230	No	630
R-CFS32E-8C-S-LED	Remote	30.50"	98.00"	115	1.6	1640	No	860

Recommended Operating Conditions - 75°F @ 55% Relative Humidity

32E Series Endless - Deli - 49.6" High - Single Duty

Standard Features

- Designer White or Glossy Black Aluminum Exterior & Designer White Interior
- Heavy Duty Bright Stainless Steel Top
- Gray Bumper - 1"
- Full Length Gravity Coil Located Inside Top
- Endless Design Allows for Continuous Lineups
- Extra Large Thermal Insulated 28" Front Glass
- Extra Large Easy Glide Rear Doors
- Automatic Condensate Pan (SC UNITS ONLY)
- 2 Mezzanine Shelves (Deli Only)
- Energy Efficient LED Lighting
- UL Classified to ANSI/NSF 7



DELI CASE - LED LIT

Model No.	Description	Depth	Length	Voltage	Amps	HP	Power Cord	Est. Ship Wt
WHITE EXTERIOR & INTERIOR								
SC-CDS32E-4-LED	Self contained	30.50"	50.00"	115	12.0	1/4	5-15P	470
SC-CDS32E-6-LED	Self contained	30.50"	74.00"	115	12.0	1/3	5-15P	680
SC-CDS32E-8-LED	Self contained	30.50"	98.00"	115	16.0	1/2	5-20P	910
BLACK EXTERIOR & INTERIOR								
SC-CDS32E-4-BE-LED	Self contained	30.50"	50.00"	115	12.0	1/4	5-15P	500
SC-CDS32E-6-BE-LED	Self contained	30.50"	74.00"	115	12.0	1/3	5-15P	710
SC-CDS32E-8-BE-LED	Self contained	30.50"	98.00"	115	16.0	1/2	5-20P	940
STAINLESS STEEL EXTERIOR & INTERIOR								
SC-CDS32E-4-S-LED	Self contained	30.50"	50.00"	115	12.0	1/4	5-15P	500
SC-CDS32E-6-S-LED	Self contained	30.50"	74.00"	115	12.0	1/3	5-15P	710
SC-CDS32E-8-S-LED	Self contained	30.50"	98.00"	115	16.0	1/2	5-20P	940
PASS THRU'S								
SC-CDS32E-4PT-LED	Self contained	30.50"	50.00"	115	12.0	1/3	5-15P	470
SC-CDS32E-6PT-LED	Self contained	30.50"	74.00"	115	12.0	1/3	5-15P	680
SC-CDS32E-8PT-LED	Self contained	30.50"	98.00"	115	16.0	1/2	5-20P	910

DELI CASE - REMOTES - LED LIT

Model No.	Description	Depth	Length	Voltage	Amps	BTUs	Power Cord	Est. Ship Wt
WHITE EXTERIOR & INTERIOR								
R-CDS32E-4-LED	Remote	30.50"	50.00"	115	0.8	1400	No	430
R-CDS32E-6-LED	Remote	30.50"	74.00"	115	1.6	2100	No	630
R-CDS32E-8-LED	Remote	30.50"	98.00"	115	1.6	2800	No	910
BLACK EXTERIOR & INTERIOR								
R-CDS32E-4-BE-LED	Remote	30.50"	50.00"	115	0.8	1400	No	430
R-CDS32E-6-BE-LED	Remote	30.50"	74.00"	115	1.6	2100	No	630
R-CDS32E-8-BE-ED	Remote	30.50"	98.00"	115	1.6	2800	No	910
STAINLESS STEEL EXTERIOR & INTERIOR								
R-CDS32E-4-S-LED	Remote	30.50"	50.00"	115	12.0	1400	No	430
R-CDS32E-6-S-LED	Remote	30.50"	74.00"	115	12.0	2100	No	630
R-CDS32E-8-S-LED	Remote	30.50"	98.00"	115	16.0	2800	No	910

OPTIONS PAGE 104-105

HMC Enterprises LLC

831 East Cayuga St. Philadelphia, PA 19124 USA • (215) 464-6800 • 1-800-344-8222
 fax (215) 969-4890 • E-Mail: sales@howardmccray.com • www.howardmccray.com

32E Series Endless - Red Meat 49.6" High - Single Duty

Standard Features

- Designer White, or Glossy Black Aluminum Exterior & Designer White Interior
- Heavy Duty Bright Stainless Steel Top
- Gray Bumper - 1"
- Automatic Condensate Pan (SC UNITS ONLY)
- Full Length Gravity Coil Located Inside Top
- Endless Design Allows for Continuous Lineups
- Thermal Insulated 28" Front Glass
- Extra Large Easy Glide Rear Doors
- Humidity Coil at Main Deck Level
- Energy Efficient LED Lighting
- UL Classified to ANSI/NSF 7



RED MEAT - LED LIT

Model No.	Description	Depth	Length	Voltage	Amps	HP	Power Cord	Est. Ship Wt
WHITE EXTERIOR & INTERIOR								
SC-CMS32E-4-LED	Self contained	30.50"	50.00"	115	12.0	1/4	5-15P	470
SC-CMS32E-6-LED	Self contained	30.50"	74.00"	115	12.0	1/3	5-15P	680
SC-CMS32E-8-LED	Self contained	30.50"	98.00"	115	16.0	1/2	5-20P	910
BLACK EXTERIOR & WHITE INTERIOR								
SC-CMS32E-4-BE-LED	Self contained	30.50"	50.00"	115	12.0	1/4	5-15P	470
SC-CMS32E-6-BE-LED	Self contained	30.50"	74.00"	115	12.0	1/3	5-15P	680
SC-CMS32E-8-BE-LED	Self contained	30.50"	98.00"	115	16.0	1/2	5-20P	910
STAINLESS STEEL EXTERIOR & INTERIOR								
SC-CMS32E-4-S-LED	Self contained	30.50"	50.00"	115	12.0	1/4	5-15P	470
SC-CMS32E-6-S-LED	Self contained	30.50"	74.00"	115	12.0	1/3	5-15P	680
SC-CMS32E-8-S-LED	Self contained	30.50"	98.00"	115	16.0	1/2	5-20P	910

RED MEAT - REMOTES - LED LIT

Model No.	Description	Depth	Length	Voltage	Amps	BTUs	Power Cord	Est. Ship Wt
WHITE EXTERIOR & INTERIOR								
R-CMS32E-4-LED	Remote	30.50"	50.00"	115	0.8	1400	No	430
R-CMS32E-6-LED	Remote	30.50"	74.00"	115	1.6	2100	No	630
R-CMS32E-8-LED	Remote	30.50"	98.00"	115	1.6	2800	No	910
BLACK EXTERIOR & WHITE INTERIOR								
R-CMS32E-4-BE-LED	Remote	30.50"	50.00"	115	0.8	1400	No	430
R-CMS32E-6-BE-LED	Remote	30.50"	74.00"	115	1.6	2100	No	630
R-CMS32E-8-BE-LED	Remote	30.50"	98.00"	115	1.6	2800	No	910
STAINLESS STEEL EXTERIOR & INTERIOR								
R-CMS32E-4-S-LED	Remote	30.50"	50.00"	115	0.8	1400	No	430
R-CMS32E-6-S-LED	Remote	30.50"	74.00"	115	1.6	2100	No	630
R-CMS32E-8-S-LED	Remote	30.50"	98.00"	115	1.6	2800	No	910

Recommended Operating Conditions - 75°F @ 55% Relative Humidity

Recommended Operating Conditions - 75°F @ 55% Relative Humidity

32E Series Endless - Fish/Poultry 49.6" High - Single Duty

Standard Features

- Designer White, or Glossy Black Aluminum Exterior & Designer White Interior
- Heavy Duty Bright Stainless Steel Top
- Gray Bumper - 1"
- Automatic Condensate Pan (SC UNITS ONLY)
- Full Length Gravity Coil Located Inside Top
- Endless Design Allows for Continuous Lineups
- Thermal Insulated 28" Front Glass
- Extra Large Easy Glide Rear Doors
- Stainless Steel Ice Pan (Fish/Poultry Only)
- Energy Efficient LED Lighting
- UL Classified to ANSI/NSF 7
- DRAIN IS REQUIRED



FISH & POULTRY - LED LIT

Model No.	Description	Depth	Length	Voltage	Amps	HP	Power Cord	Est. Ship Wt
WHITE EXTERIOR (FRONT & ENDS) & WHITE INTERIOR								
SC-CFS32E-4-LED	Self contained	30.50"	50.00"	115	12.0	1/4	5-15P	470
SC-CFS32E-6-LED	Self contained	30.50"	74.00"	115	12.0	1/4	5-15P	680
SC-CFS32E-8-LED	Self contained	30.50"	98.00"	115	16.0	1/3	5-20P	910
BLACK EXTERIOR & WHITE INTERIOR								
SC-CFS32E-4-BE-LED	Self contained	30.50"	50.00"	115	12.0	1/4	5-15P	470
SC-CFS32E-6-BE-LED	Self contained	30.50"	74.00"	115	12.0	1/4	5-15P	680
SC-CFS32E-8-BE-LED	Self contained	30.50"	98.00"	115	16.0	1/3	5-20P	910
STAINLESS STEEL EXTERIOR & INTERIOR								
SC-CFS32E-4-S-LED	Self contained	30.50"	50.00"	115	12.0	1/4	5-15P	470
SC-CFS32E-6-S-LED	Self contained	30.50"	74.00"	115	12.0	1/4	5-15P	680
SC-CFS32E-8-S-LED	Self contained	30.50"	98.00"	115	16.0	1/3	5-20P	910

FISH & POULTRY - REMOTES - LED LIT

Model No.	Description	Depth	Length	Voltage	Amps	BTUs	Power Cord	Est. Ship Wt
WHITE EXTERIOR & INTERIOR								
R-CFS32E-4-LED	Remote	30.50"	50.00"	115	0.8	820	No	430
R-CFS32E-6-LED	Remote	30.50"	74.00"	115	1.6	1230	No	630
R-CFS32E-8-LED	Remote	30.50"	98.00"	115	1.6	1640	No	860
BLACK EXTERIOR & WHITE INTERIOR								
R-CFS32E-4-BE-LED	Remote	30.50"	50.00"	115	0.8	820	No	430
R-CFS32E-6-BE-LED	Remote	30.50"	74.00"	115	1.6	1230	No	630
R-CFS32E-8-BE-LED	Remote	30.50"	98.00"	115	1.6	1640	No	860
STAINLESS STEEL EXTERIOR & INTERIOR								
R-CFS32E-4-S-LED	Remote	30.50"	50.00"	115	0.8	820	No	430
R-CFS32E-6-S-LED	Remote	30.50"	74.00"	115	1.6	1230	No	630
R-CFS32E-8-S-LED	Remote	30.50"	98.00"	115	1.6	1640	No	860

OPTIONS PAGE 104-105



HMC Enterprises LLC

831 East Cayuga St. Philadelphia, PA 19124 USA • (215) 464-6800 • 1-800-344-8222
 fax (215) 969-4890 • E-Mail: sales@howardmccray.com • www.howardmccray.com

34E Series Endless - Deli - 53" High - Double Duty

Standard Features

- Designer White, Glossy Black Aluminum or Stainless Steel Exterior
- Designer White or Stainless Steel Interior
- Heavy Duty Bright Stainless Steel Top
- Gray Bumper - 1"
- Epoxy Coated Main Deck Shelves
- Automatic Condensate Pan (SC UNITS ONLY)
- Full Length Gravity Coil Located Inside Top
- Full Length Gravity Coil Located Bottom Storage Area
- Endless Design Allows for Continuous Lineups
- Thermal Insulated 28" Front Glass
- Extra Large Easy Glide Rear Doors
- Electronically Controlled Temperature & Defrost
- Full Length Mezzanine Shelf (Deli Only)
- Energy Efficient LED Lighting
- UL Classified to ANSI/NSF 7



DELI CASE - LED LIT

Model No.	Description	Depth	Length	Voltage	Amps	HP	Power Cord	Est. Ship Wt
WHITE EXTERIOR & WHITE INTERIOR								
SC-CDS34E-4-LED	Self contained	36.50"***	52.50"	115	12.0	1/4	5-15P	530
SC-CDS34E-6-LED	Self contained	34.50"	76.50"	115	12.0	1/3	5-15P	741
SC-CDS34E-8-LED	Self contained	34.50"	100.50"	115	16.0	1/2	5-20P	897
SC-CDS34E-10-LED	Self contained	34.50"	124.50"	115	13.8	1/2	No	1150
SC-CDS34E-12-LED	Self contained	34.50"	148.50"	115	17.4	3/4	No	1414
BLACK EXTERIOR & WHITE INTERIOR								
SC-CDS34E-4-BE-LED	Self contained	36.50"***	52.50"	115	12.0	1/4	5-15P	530
SC-CDS34E-6-BE-LED	Self contained	34.50"	76.50"	115	12.0	1/3	5-15P	741
SC-CDS34E-8-BE-LED	Self contained	34.50"	100.50"	115	16.0	1/2	5-20P	897
SC-CDS34E-10-BE-LED	Self contained	34.50"	124.50"	115	13.8	1/2	No	1150
SC-CDS34E-12-BE-LED	Self contained	34.50"	148.50"	115	17.4	3/4	No	1414
STAINLESS EXTERIOR & INTERIOR								
SC-CDS34E-4-S-LED	Self contained	36.50"***	52.50"	115	12.0	1/4	5-15P	530
SC-CDS34E-6-S-LED	Self contained	34.50"	76.50"	115	12.0	1/3	5-15P	741
SC-CDS34E-8-S-LED	Self contained	34.50"	100.50"	115	16.0	1/2	5-20P	897
SC-CDS34E-10-S-LED	Self contained	34.50"	124.50"	115	13.8	1/2	No	1150
SC-CDS34E-12-S-LED	Self contained	34.50"	148.50"	115	17.4	3/4	No	1414
PASS THRU'S								
SC-CDS34E-4PT-LED	Self contained	36.50"	52.50"	115	12.0	1/4	5-15P	530
SC-CDS34E-6PT-LED	Self contained	34.50"	76.50"	115	12.0	1/3	5-15P	741
SC-CDS34E-8PT-LED	Self contained	34.50"	100.50"	115	16.0	1/2	5-20P	897

DELI CASE - REMOTES - LED LIT

Model No.	Description	Depth	Length	Voltage	Amps	BTUs	Power Cord	Est. Ship Wt
WHITE EXTERIOR & WHITE INTERIOR								
R-CDS34E-4-LED*	Remote	34.50"	52.50"	115	0.8	1400	No	497
R-CDS34E-6-LED*	Remote	34.50"	76.50"	115	1.3	2100	No	693
R-CDS34E-8-LED*	Remote	34.50"	100.50"	115	1.6	2800	No	832
R-CDS34E-10-LED*	Remote	34.50"	124.50"	115	2.4	3500	No	1089
R-CDS34E-12-LED*	Remote	34.50"	148.50"	115	2.4	4200	No	1359

*Remotes available in Black and Stainless Steel Exteriors

Recommended Operating Conditions - 75°F @ 55% Relative Humidity

OPTIONS PAGE 104-105

34E Series Endless - Red Meat - 53" High - Double Duty

Standard Features

- Designer White, Glossy Black Aluminum or Stainless Steel Exterior
- Designer White or Stainless Steel Interior
- Heavy Duty Bright Stainless Steel Top
- Gray Bumper - 1"
- Automatic Condensate Pan (SC UNITS ONLY)
- Full Length Gravity Coil Located Inside Top
- Full Length Gravity Coil Located Bottom Storage Area
- Endless Design Allows for Continuous Lineups
- Thermal Insulated 28" Front Glass
- Extra Large Easy Glide Rear Doors
- Electronically Controlled Temperature & Defrost
- Humidity Coil Below Main Deck (Meat Only)
- Energy Efficient LED Lighting
- UL Classified to ANSI/NSF 7



Shown with optional mezzanine shelf

RED MEAT - LED LIT

Model No.	Description	Depth	Length	Voltage	Amps	HP	Power Cord	Est. Ship Wt
WHITE EXTERIOR & INTERIOR								
SC-CMS34E-4-LED	Self contained	36.50"**	52.50"	115	12.0	1/4	5-15P	530
SC-CMS34E-6-LED	Self contained	34.50"	76.50"	115	12.0	1/3	5-15P	741
SC-CMS34E-8-LED	Self contained	34.50"	100.50"	115	16.0	1/2	5-20P	897
SC-CMS34E-10-LED	Self contained	34.50"	124.50"	115	13.8	1/2	No	1150
SC-CMS34E-12-LED	Self contained	34.50"	148.50"	115	17.4	3/4	No	1414
BLACK EXTERIOR & WHITE INTERIOR								
SC-CMS34E-4-BE-LED	Self contained	36.50"**	52.50"	115	12.0	1/4	5-15P	530
SC-CMS34E-6-BE-LED	Self contained	34.50"	76.50"	115	12.0	1/3	5-15P	741
SC-CMS34E-8-BE-LED	Self contained	34.50"	100.50"	115	16.0	1/2	5-20P	897
SC-CMS34E-10-BE-LED	Self contained	34.50"	124.50"	115	13.8	1/2	No	1150
SC-CMS34E-12-BE-LED	Self contained	34.50"	148.50"	115	17.4	3/4	No	1414
STAINLESS STEEL EXTERIOR & INTERIOR								
SC-CMS34E-4-S-LED	Self contained	36.50"**	52.50"	115	12.0	1/4	5-15P	530
SC-CMS34E-6-S-LED	Self contained	34.50"	76.50"	115	12.0	1/3	5-15P	741
SC-CMS34E-8-S-LED	Self contained	34.50"	100.50"	115	16.0	1/2	5-20P	897
SC-CMS34E-10-S-LED	Self contained	34.50"	124.50"	115	13.8	1/2	No	1150
SC-CMS34E-12-S-LED	Self contained	34.50"	148.50"	115	17.4	3/4	No	1414

RED MEAT - REMOTES - LED LIT

Model No.	Description	Depth	Length	Voltage	Amps	BTUs	Power Cord	Est. Ship Wt
WHITE EXTERIOR & INTERIOR								
R-CMS34E-4-LED*	Remote	34.50"	52.50"	115	0.8	1400	No	497
R-CMS34E-6-LED*	Remote	34.50"	76.50"	115	1.3	2100	No	693
R-CMS34E-8-LED*	Remote	34.50"	100.50"	115	1.6	2800	No	832
R-CMS34E-10-LED*	Remote	34.50"	124.50"	115	2.4	3500	No	1089
R-CMS34E-12-LED*	Remote	34.50"	148.50"	115	2.4	4200	No	1359

*Remotes available in Black and Stainless Steel Exteriors

**Self Contained 4' Cases with 2" Deep Removable External Swing Door.

Need more display shelf? Don't forget to order an optional Mezzanine Shelf for your Red Meat Case.

HMC Enterprises LLC

831 East Cayuga St. Philadelphia, PA 19124 USA • (215) 464-6800 • 1-800-344-8222
 fax (215) 969-4890 • E-Mail: sales@howardmccray.com • www.howardmccray.com

34E Series Endless - Fish/Poultry 53" High - Double Duty

Standard Features

- Designer White, Glossy Black Aluminum or Stainless Steel Exterior
- Designer White or Stainless Steel Interior
- Heavy Duty Bright Stainless Steel Top
- Gray Bumper - 1"
- Automatic Condensate Pan (SC UNITS ONLY)
- Full Length Gravity Coil Located Inside Top
- Endless Design Allows for Continuous Lineups
- Thermal Insulated 28" Front Glass
- Extra Large Easy Glide Rear Doors
- Electronically Controlled Temperature & Defrost
- Stainless Steel Ice Pans with (Fish/Poultry Only)
- Energy Efficient LED Lighting
- UL Classified to ANSI/NSF 7
- DRAIN IS REQUIRED



FISH & POULTRY - LED LIT

Model No.	Description	Depth	Length	Voltage	Amps	HP	Power Cord	Est. Ship Wt
WHITE EXTERIOR & INTERIOR								
SC-CFS34E-4-LED	Self contained	36.50***	52.50"	115	12.0	1/4	5-15P	530
SC-CFS34E-6-LED	Self contained	34.50"	76.50"	115	12.0	1/4	5-15P	741
SC-CFS34E-8-LED	Self contained	34.50"	100.50"	115	16.0	1/3	5-20P	897
SC-CFS34E-10-LED	Self contained	34.50"	124.50"	115	9.9	1/3	No	1150
SC-CFS34E-12-LED	Self contained	34.50"	148.50"	115	13.8	1/2	No	1414
BLACK EXTERIOR & WHITE INTERIOR								
SC-CFS34E-4-BE-LED	Self contained	36.50**	52.50"	115	12.0	1/4	5-15P	530
SC-CFS34E-6-BE-LED	Self contained	34.50"	76.50"	115	12.0	1/4	5-15P	741
SC-CFS34E-8-BE-LED	Self contained	34.50"	100.50"	115	16.0	1/3	5-20P	897
SC-CFS34E-10-BE-LED	Self contained	34.50"	124.50"	115	9.9	1/3	No	1150
SC-CFS34E-12-BE-LED	Self contained	34.50"	148.50"	115	13.8	1/2	No	1414
STAINLESS EXTERIOR & INTERIOR								
SC-CFS34E-4-S-LED	Self contained	36.50***	52.50"	115	12.0	1/4	5-15P	530
SC-CFS34E-6-S-LED	Self contained	34.50"	76.50"	115	12.0	1/4	5-15P	741
SC-CFS34E-8-S-LED	Self contained	34.50"	100.50"	115	16.0	1/3	5-20P	897
SC-CFS34E-10-S-LED	Self contained	34.50"	124.50"	115	9.9	1/3	No	1150
SC-CFS34E-12-S-LED	Self contained	34.50"	148.50"	115	13.8	1/2	No	1414

FISH & POULTRY - REMOTES - LED LIT

Model No.	Description	Depth	Length	Voltage	Amps	BTUs	Power Cord	Est. Ship Wt
WHITE EXTERIOR & INTERIOR								
R-CFS34E-4-LED	Remote	34.50"	52.50"	115	0.8	820	No	497
R-CFS34E-6-LED	Remote	34.50"	76.50"	115	1.3	1230	No	693
R-CFS34E-8-LED	Remote	34.50"	100.50"	115	1.6	1640	No	832
R-CFS34E-10-LED	Remote	34.50"	124.50"	115	2.4	2050	No	1089
R-CFS34E-12-LED	Remote	34.50"	148.50"	115	2.4	2460	No	1359

*Remotes available in Black and Stainless Steel Exteriors

**Self Contained 4' Cases with 2" Deep Removable External Swing Door.

Recommended Operating Conditions - 75°F @ 55% Relative Humidity

Custom Installations



HMC Enterprises LLC

831 East Cayuga St. Philadelphia, PA 19124 USA • (215) 464-6800 • 1-800-344-8222
fax (215) 969-4890 • E-Mail: sales@howardmccray.com • www.howardmccray.com

**HOWARD McCRAY Announces the new
FRONT LOADING 40E Curved Glass Service Cases.**

Building on the Popularity of our 40E Multipurpose design, we are adding the functionality and convenience of FRONT-LOADING doors.

The 40E models are 72" in height and are available in 36", 51", 75" & 99" lengths.



Standard Features

- Designer White, Glossy Black Aluminum or Stainless Steel Exterior
- Designer White or Stainless Steel Interior
- Gray Bumper - 2"
- Epoxy Coated Main Deck Shelves
- Heavy Duty Bright Stainless Steel Top
- 1 Row of LED Lighting at Top Of Unit
- Full Length Gravity Coil Located Inside Top
- Endless Design Allows for Continuous Lineups
- Extra Wide Double Bend Curved Glass - Thermal Insulated
- Extra Large Easy Glide Rear Doors
- Electronically Controlled Temperature & Defrost
- Available In: Deli, Red Meat, Fish/Poultry, & Bakery
- Full Length Mezzanine Shelf (Deli Only)
- Energy Efficient LED Lighting
- UL Classified to ANSI/NSF 7

DELI CASE - LED LIT

Model No.	Description	Depth	Length	Voltage	Amps	HP	Power Cord	Est. Ship Wt
WHITE EXTERIOR & INTERIOR								
SC-CDS40E-3C-LED-FL	Self contained	40.00"	38.50"	115	12.0	1/4	5-15P	530
SC-CDS40E-4C-LED-FL	Self contained	40.00"	51.50"	115	12.0	1/4	5-15P	530
SC-CDS40E-6C-LED-FL	Self contained	40.00"	75.50"	115	12.0	1/3	5-15P	741
SC-CDS40E-8C-LED-FL	Self contained	40.00"	99.50"	115	16.0	1/2	5-20P	983
BLACK EXTERIOR & WHITE INTERIOR								
SC-CDS40E-3C-BE-LED-FL	Self contained	40.00"	51.50"	115	12.0	1/4	5-15P	530
SC-CDS40E-4C-BE-LED-FL	Self contained	40.00"	51.50"	115	12.0	1/4	5-15P	530
SC-CDS40E-6C-BE-LED-FL	Self contained	40.00"	75.50"	115	12.0	1/3	5-15P	741
SC-CDS40E-8C-BE-LED-FL	Self contained	40.00"	99.50"	115	16.0	1/2	5-20P	983
STAINLESS STEEL EXTERIOR & INTERIOR								
SC-CDS40E-3C-S-LED-FL	Self contained	40.00"	51.50"	115	12.0	1/4	5-15P	530
SC-CDS40E-4C-S-LED-FL	Self contained	40.00"	51.50"	115	12.0	1/4	5-15P	530
SC-CDS40E-6C-S-LED-FL	Self contained	40.00"	75.50"	115	12.0	1/3	5-15P	741
SC-CDS40E-8C-S-LED-FL	Self contained	40.00"	99.50"	115	16.0	1/2	5-20P	983

DELI CASE - REMOTES - LED LIT

Model No.	Description	Depth	Length	Voltage	Amps	BTUs	Power Cord	Est. Ship Wt
WHITE EXTERIOR & INTERIOR								
R-CDS40E-4C-LED-FL*	Remote	40.00"	51.50"	115	0.8	1400	No	497
R-CDS40E-6C-LED-FL*	Remote	40.00"	75.50"	115	1.3	2100	No	693
R-CDS40E-8C-LED-FL*	Remote	40.00"	99.50"	115	1.6	2800	No	890

*Remotes available in Black and Stainless Steel Exteriors

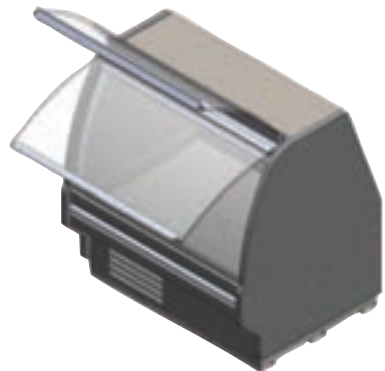
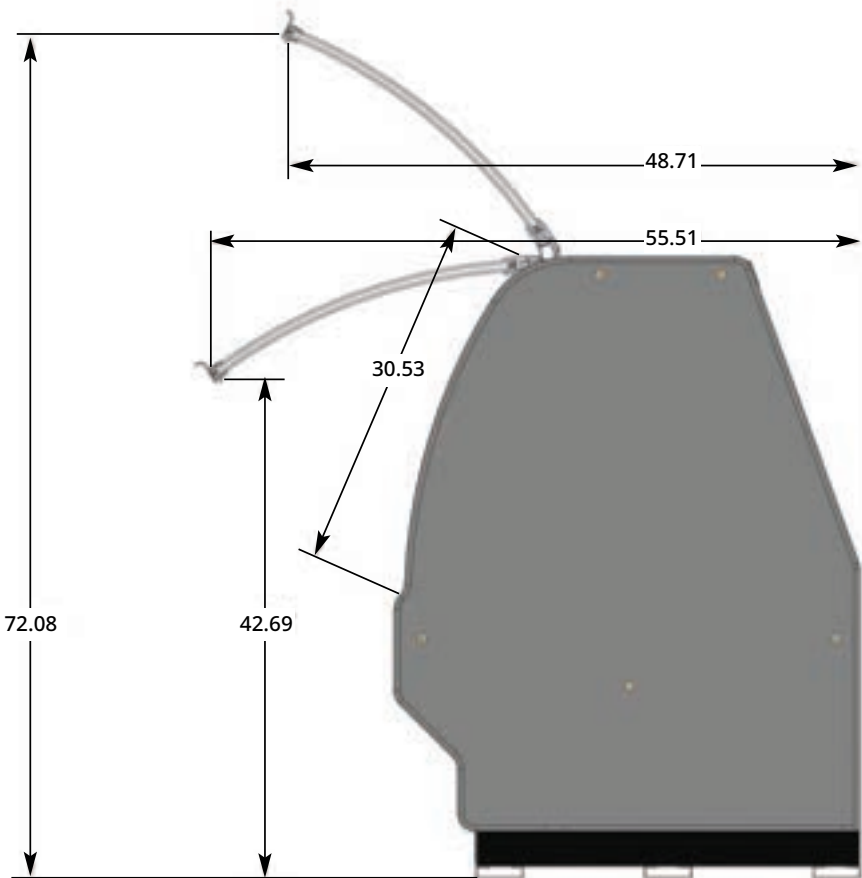
Recommended Operating Conditions - 75°F @ 55% Relative Humidity

RED MEAT CASE - LED LIT

Model No.	Description	Depth	Length	Voltage	Amps	HP	Power Cord	Est. Ship Wt
WHITE EXTERIOR & INTERIOR								
SC-CMS40E-3C-LED-FL	Self contained	40.00"	51.50"	115	12.0	1/4	5-15P	530
SC-CMS40E-4C-LED-FL	Self contained	40.00"	51.50"	115	12.0	1/4	5-15P	530
SC-CMS40E-6C-LED-FL	Self contained	40.00"	75.50"	115	12.0	1/3	5-15P	741
SC-CMS40E-8C-LED-FL	Self contained	40.00"	99.50"	115	16.0	1/2	5-20P	983
BLACK EXTERIOR & WHITE INTERIOR								
SC-CMS40E-3C-BE-LED-FL	Self contained	40.00"	51.50"	115	12.0	1/4	5-15P	530
SC-CMS40E-4C-BE-LED-FL	Self contained	40.00"	51.50"	115	12.0	1/4	5-15P	530
SC-CMS40E-6C-BE-LED-FL	Self contained	40.00"	75.50"	115	12.0	1/3	5-15P	741
SC-CMS40E-8C-BE-LED-FL	Self contained	40.00"	99.50"	115	16.0	1/2	5-20P	983
STAINLESS STEEL EXTERIOR & INTERIOR								
SC-CMS40E-3C-S-LED-FL	Self contained	40.00"	51.50"	115	12.0	1/4	5-15P	530
SC-CMS40E-4C-S-LED-FL	Self contained	40.00"	51.50"	115	12.0	1/4	5-15P	530
SC-CMS40E-6C-S-LED-FL	Self contained	40.00"	75.50"	115	12.0	1/3	5-15P	741
SC-CMS40E-8C-S-LED-FL	Self contained	40.00"	99.50"	115	16.0	1/2	5-20P	983

RED MEAT CASE - REMOTES - LED LIT

Model No.	Description	Depth	Length	Voltage	Amps	BTUs	Power Cord	Est. Ship Wt
WHITE EXTERIOR & INTERIOR								
R-CMS40E-4C-LED-FL*	Remote	40.00"	51.50"	115	0.8	1400	No	497
R-CMS40E-6C-LED-FL*	Remote	40.00"	75.50"	115	1.3	2100	No	693
R-CMS40E-8C-LED-FL*	Remote	40.00"	99.50"	115	1.6	2800	No	890



HMC Enterprises LLC

831 East Cayuga St. Philadelphia, PA 19124 USA • (215) 464-6800 • 1-800-344-8222
 fax (215) 969-4890 • E-Mail: sales@howardmccray.com • www.howardmccray.com

**HOWARD McCRAY Announces the new
FRONT LOADING 40E Curved Glass Service Cases.**

Building on the Popularity of our 40E Multipurpose design, we are adding the functionality and convenience of FRONT-LOADING doors. The 40E models are 72" in height and are available in 36", 51", 75" & 99" lengths.



Standard Features

- Designer White, Glossy Black Aluminum or Stainless Steel Exterior
- Designer White or Stainless Steel Interior
- Gray Bumper - 2"
- Epoxy Coated Main Deck Shelves
- Heavy Duty Bright Stainless Steel Top
- 1 Row of LED Lighting at Top Of Unit
- Full Length Gravity Coil Located Inside Top
- Endless Design Allows for Continuous Lineups
- Extra Wide Double Bend Curved Glass - Thermal Insulated
- Extra Large Easy Glide Rear Doors
- Electronically Controlled Temperature & Defrost
- Available In: Deli, Red Meat, Fish/Poultry, & Bakery
- Full Length Mezzanine Shelf (Deli Only)
- Energy Efficient LED Lighting
- UL Classified to ANSI/NSF 7

FISH & POULTRY CASE - LED LIT

Model No.	Description	Depth	Length	Voltage	Amps	HP	Power Cord	Est. Ship Wt
WHITE EXTERIOR & INTERIOR								
SC-CFS40E-3C-LED-FL	Self contained	40.00"	51.50"	115	12.0	1/4	5-15P	530
SC-CFS40E-4C-LED-FL	Self contained	40.00"	51.50"	115	12.0	1/4	5-15P	530
SC-CFS40E-6C-LED-FL	Self contained	40.00"	75.50"	115	12.0	1/3	5-15P	741
SC-CFS40E-8C-LED-FL	Self contained	40.00"	99.50"	115	16.0	1/2	5-20P	983
BLACK EXTERIOR & WHITE INTERIOR								
SC-CFS40E-3C-BE-LED-FL	Self contained	40.00"	51.50"	115	12.0	1/4	5-15P	530
SC-CFS40E-4C-BE-LED-FL	Self contained	40.00"	51.50"	115	12.0	1/4	5-15P	530
SC-CFS40E-6C-BE-LED-FL	Self contained	40.00"	75.50"	115	12.0	1/3	5-15P	741
SC-CFS40E-8C-BE-LED-FL	Self contained	40.00"	99.50"	115	16.0	1/2	5-20P	983
STAINLESS STEEL EXTERIOR & INTERIOR								
SC-CFS40E-3C-S-LED-FL	Self contained	40.00"	51.50"	115	12.0	1/4	5-15P	530
SC-CFS40E-4C-S-LED-FL	Self contained	40.00"	51.50"	115	12.0	1/4	5-15P	530
SC-CFS40E-6C-S-LED-FL	Self contained	40.00"	75.50"	115	12.0	1/3	5-15P	741
SC-CFS40E-8C-S-LED-FL	Self contained	40.00"	99.50"	115	16.0	1/2	5-20P	983

FISH & POULTRY CASE - REMOTES - LED LIT

Model No.	Description	Depth	Length	Voltage	Amps	BTUs	Power Cord	Est. Ship Wt
WHITE EXTERIOR & INTERIOR								
R-CDS40E-4C-LED-FL*	Remote	40.00"	51.50"	115	0.8	1400	No	497
R-CDS40E-6C-LED-FL*	Remote	40.00"	75.50"	115	1.3	2100	No	693
R-CDS40E-8C-LED-FL*	Remote	40.00"	99.50"	115	1.6	2800	No	890

*Remotes available in Black and Stainless Steel Exteriors

Recommended Operating Conditions - 75°F @ 55% Relative Humidity

BAKERY CASE - 53" HIGH - LED LIT

Model No.	Description	Depth	Length	Voltage	Amps	HP	Power Cord	Est. Ship Wt
WHITE EXTERIOR & INTERIOR								
SC-CBS40E-3C-LED-FL	Self contained	40.00"	51.50"	115	12.0	1/4	5-15P	530
SC-CBS40E-4C-LED-FL	Self contained	40.00"	51.50"	115	12.0	1/4	5-15P	530
SC-CBS40E-6C-LED-FL	Self contained	40.00"	75.50"	115	12.0	1/3	5-15P	741
SC-CBS40E-8C-LED-FL	Self contained	40.00"	99.50"	115	16.0	1/2	5-20P	897
BLACK EXTERIOR & INTERIOR								
SC-CBS40E-3C-BE-LED-FL	Self contained	40.00"	51.50"	115	12.0	1/4	5-15P	530
SC-CBS40E-4C-BE-LED-FL	Self contained	40.00"	51.50"	115	12.0	1/4	5-15P	530
SC-CBS40E-6C-BE-LED-FL	Self contained	40.00"	75.50"	115	12.0	1/3	5-15P	741
SC-CBS40E-8C-BE-LED-FL	Self contained	40.00"	99.50"	115	16.0	1/2	5-20P	897
STAINLESS STEEL EXTERIOR & INTERIOR								
SC-CBS40E-3C-S-LED-FL	Self contained	40.00"	51.50"	115	12.0	1/4	5-15P	530
SC-CBS40E-4C-S-LED-FL	Self contained	40.00"	51.50"	115	12.0	1/4	5-15P	530
SC-CBS40E-6C-S-LED-F	Self contained	40.00"	75.50"	115	12.0	1/3	5-15P	741
SC-CBS40E-8C-S-LED-FL	Self contained	40.00"	99.50"	115	16.0	1/2	5-20P	897
DRY								
D-CBS40E-3C-LED-FL**	Dry	40.00"	51.50"	115	12.0	N/A	5-15P	497
D-CBS40E-6C-LED-FL**	Dry	40.00"	75.50"	115	12.0	N/A	5-15P	693
D-CBS40E-8C-LED-FL**	Dry	40.00"	99.50"	115	16.0	N/A	5-20P	832

BAKERY CASE - 53" HIGH - REMOTES - LED LIT

Model No.	Description	Depth	Length	Voltage	Amps	BTUs	Power Cord	Est. Ship Wt
WHITE EXTERIOR & INTERIOR								
R-CBS40E-3C-LED-FL**	Remote	40.00"	51.50"	115	0.8	820	No	497
R-CBS40E-4C-LED-FL**	Remote	40.00"	51.50"	115	0.8	820	No	497
R-CBS40E-6C-LED-FL**	Remote	40.00"	75.50"	115	1.3	1230	No	693
R-CBS40E-8C-LED-FL**	Remote	40.00"	99.50"	115	1.6	1640	No	832

**Available in Black and Stainless Steel Exteriors



OPTIONS PAGE 104-105

HMC Enterprises LLC

831 East Cayuga St. Philadelphia, PA 19124 USA • (215) 464-6800 • 1-800-344-8222
 fax (215) 969-4890 • E-Mail: sales@howardmccray.com • www.howardmccray.com

40E Series Endless - Deli - 53" High - Single Duty

Standard Features

- Designer White, Glossy Black Aluminum or Stainless Steel Exterior
- Designer White or Stainless Steel Interior
- Heavy Duty Bright Stainless Steel Top
- Gray Bumper - 1"
- Epoxy Coated Main Deck Shelves
- Automatic Condensate Pan (SC UNITS ONLY)
- Full Length Gravity Coil Located Inside Top
- Endless Design Allows for Continuous Lineups
- Thermal Insulated 28" Front Glass
- Extra Large Easy Glide Rear Doors
- Electronically Controlled Temperature & Defrost
- Full Length Mezzanine Shelf (Deli Only)
- Energy Efficient LED Lighting
- UL Classified to ANSI/NSF 7



DELI - LED LIT

Model No.	Description	Depth	Length	Voltage	Amps	HP	Power Cord	Est. Ship Wt
WHITE EXTERIOR & INTERIOR								
SC-CDS40E-4-LED	Self contained	40.00"	52.50"	115	12.0	1/4	5-15P	530
SC-CDS40E-6-LED	Self contained	40.00"	76.50"	115	12.0	1/3	5-15P	741
SC-CDS40E-8-LED	Self contained	40.00"	100.50"	115	16.0	1/2	5-20P	983
SC-CDS40E-10-LED	Self contained	40.00"	124.50"	115	13.8	1/2	No	1150
SC-CDS40E-12-LED	Self contained	40.00"	148.50"	115	17.4	3/4	No	1396
BLACK EXTERIOR & WHITE INTERIOR								
SC-CDS40E-4-BE-LED	Self contained	40.00"	52.50"	115	12.0	1/4	5-15P	530
SC-CDS40E-6-BE-LED	Self contained	40.00"	76.50"	115	12.0	1/3	5-15P	741
SC-CDS40E-8-BE-LED	Self contained	40.00"	100.50"	115	16.0	1/2	5-20P	983
SC-CDS40E-10-BE-LED	Self contained	40.00"	124.50"	115	13.8	1/2	No	1150
SC-CDS40E-12-BE-LED	Self contained	40.00"	148.50"	115	17.4	3/4	No	1396
STAINLESS EXTERIOR & INTERIOR								
SC-CDS40E-4-S-LED	Self contained	40.00"	52.50"	115	12.0	1/4	5-15P	530
SC-CDS40E-6-S-LED	Self contained	40.00"	76.50"	115	12.0	1/3	5-15P	741
SC-CDS40E-8-S-LED	Self contained	40.00"	100.50"	115	16.0	1/2	5-20P	983
SC-CDS40E-10-S-LED	Self contained	40.00"	124.50"	115	13.8	1/2	No	1150
SC-CDS40E-12-S-LED	Self contained	40.00"	148.50"	115	17.4	3/4	No	1396

DELI - REMOTES - LED LIT

Model No.	Description	Depth	Length	Voltage	Amps	BTUs	Power Cord	Est. Ship Wt
WHITE EXTERIOR & INTERIOR								
R-CDS40E-4-LED*	Remote	40.00"	52.50"	115	0.8	1400	No	497
R-CDS40E-6-LED*	Remote	40.00"	76.50"	115	1.3	2100	No	693
R-CDS40E-8-LED*	Remote	40.00"	100.50"	115	1.6	2800	No	890
R-CDS40E-10-LED*	Remote	40.00"	124.50"	115	2.4	3500	No	1089
R-CDS40E-12-LED*	Remote	40.00"	148.50"	115	2.4	4200	No	1325

*Remotes available in Black and Stainless Steel Exteriors

OPTIONS PAGE 104-105

Recommended Operating Conditions - 75°F @ 55% Relative Humidity

40E Series Endless - Red Meat - 53" High - Single Duty

Standard Features

- Designer White, Glossy Black Aluminum or Stainless Steel Exterior
- Designer White or Stainless Steel Interior
- Heavy Duty Bright Stainless Steel Top
- Gray Bumper - 1"
- Automatic Condensate Pan (SC UNITS ONLY)
- Full Length Gravity Coil Located Inside Top
- Endless Design Allows for Continuous Lineups
- Thermal Insulated 28" Front Glass
- Extra Large Easy Glide Rear Doors
- Electronically Controlled Temperature & Defrost
- Humidity Coil Below Main Deck (Meat Only)
- Energy Efficient LED Lighting
- UL Classified to ANSI/NSF 7



RED MEAT - LED LIT

Model No.	Description	Depth	Length	Voltage	Amps	HP	Power Cord	Est. Ship Wt
WHITE EXTERIOR & INTERIOR								
SC-CMS40E-4-LED	Self contained	40.00"	52.50"	115	12.0	1/4	5-15P	530
SC-CMS40E-6-LED	Self contained	40.00"	76.50"	115	12.0	1/3	5-15P	741
SC-CMS40E-8-LED	Self contained	40.00"	100.50"	115	16.0	1/2	5-20P	983
SC-CMS40E-10-LED	Self contained	40.00"	124.50"	115	13.8	1/2	No	1150
SC-CMS40E-12-LED	Self contained	40.00"	148.50"	115	17.4	3/4	No	1396
BLACK EXTERIOR & WHITE INTERIOR								
SC-CMS40E-4-BE-LED	Self contained	40.00"	52.50"	115	12.0	1/4	5-15P	530
SC-CMS40E-6-BE-LED	Self contained	40.00"	76.50"	115	12.0	1/3	5-15P	741
SC-CMS40E-8-BE-LED	Self contained	40.00"	100.50"	115	16.0	1/2	5-20P	983
SC-CMS40E-10-BE-LED	Self contained	40.00"	124.50"	115	13.8	1/2	No	1150
SC-CMS40E-12-BE-LED	Self contained	40.00"	148.50"	115	17.4	3/4	No	1396
STAINLESS EXTERIOR & INTERIOR								
SC-CMS40E-4-S-LED	Self contained	40.00"	52.50"	115	12.0	1/4	5-15P	530
SC-CMS40E-6-S-LED	Self contained	40.00"	76.50"	115	12.0	1/3	5-15P	741
SC-CMS40E-8-S-LED	Self contained	40.00"	100.50"	115	16.0	1/2	5-20P	983
SC-CMS40E-10-S-LED	Self contained	40.00"	124.50"	115	13.8	1/2	No	1150
SC-CMS40E-12-S-LED	Self contained	40.00"	148.50"	115	17.4	3/4	No	1396

RED MEAT - REMOTES - LED LIT

Model No.	Description	Depth	Length	Voltage	Amps	BTUs	Power Cord	Est. Ship Wt
WHITE EXTERIOR & INTERIOR								
R-CMS40E-4-LED*	Remote	40.00"	52.50"	115	0.8	1400	No	497
R-CMS40E-6-LED*	Remote	40.00"	76.50"	115	1.3	2100	No	693
R-CMS40E-8-LED*	Remote	40.00"	100.50"	115	1.6	2800	No	890
R-CMS40E-10-LED*	Remote	40.00"	124.50"	115	2.4	3500	No	1089
R-CMS40E-12-LED*	Remote	40.00"	148.50"	115	2.4	4200	No	1325

*Remotes available in Black and Stainless Steel Exteriors

OPTIONS PAGE 104-105

Recommended Operating Conditions - 75°F @ 55% Relative Humidity

HMC Enterprises LLC

831 East Cayuga St. Philadelphia, PA 19124 USA • (215) 464-6800 • 1-800-344-8222
 fax (215) 969-4890 • E-Mail: sales@howardmccray.com • www.howardmccray.com

40E Series Endless - Fish & Poultry 53" High - Single Duty

Standard Features

- Designer White, Glossy Black Aluminum or Stainless Steel Exterior
- Designer White or Stainless Steel Interior
- Heavy Duty Bright Stainless Steel Top
- Gray Bumper - 1"
- Automatic Condensate Pan (SC UNITS ONLY)
- Full Length Gravity Coil Located Inside Top
- Endless Design Allows for Continuous Lineups
- Thermal Insulated 28" Front Glass
- Extra Large Easy Glide Rear Doors
- Electronically Controlled Temperature & Defrost
- Stainless Steel Ice Pans (Fish/Poultry Only)
- Energy Efficient LED Lighting
- UL Classified to ANSI/NSF 7
- DRAIN IS REQUIRED



FISH & POULTRY - LED LIT

Model No.	Description	Depth	Length	Voltage	Amps	HP	Power Cord	Est. Ship Wt
WHITE EXTERIOR & INTERIOR								
SC-CFS40E-4-LED	Self contained	40.00"	52.50"	115	12.0	1/4	5-15P	530
SC-CFS40E-6-LED	Self contained	40.00"	76.50"	115	12.0	1/4	5-15P	741
SC-CFS40E-8-LED	Self contained	40.00"	100.50"	115	16.0	1/3	5-20P	897
SC-CFS40E-10-LED	Self contained	40.00"	124.50"	115	9.9	1/3	No	1150
SC-CFS40E-12-LED	Self contained	40.00"	148.50"	115	13.8	1/2	No	1414
BLACK EXTERIOR & WHITE INTERIOR								
SC-CFS40E-4-BE-LED	Self contained	40.00"	52.50"	115	12.0	1/4	5-15P	530
SC-CFS40E-6-BE-LED	Self contained	40.00"	76.50"	115	12.0	1/4	5-15P	741
SC-CFS40E-8-BE-LED	Self contained	40.00"	100.50"	115	16.0	1/3	5-20P	897
SC-CFS40E-10-BE-LED	Self contained	40.00"	124.50"	115	9.9	1/3	No	1150
SC-CFS40E-12-BE-LED	Self contained	40.00"	148.50"	115	13.8	1/2	No	1414
STAINLESS EXTERIOR & INTERIOR								
SC-CFS40E-4-S-LED	Self contained	40.00"	52.50"	115	12.0	1/4	5-15P	530
SC-CFS40E-6-S-LED	Self contained	40.00"	76.50"	115	12.0	1/4	5-15P	741
SC-CFS40E-8-S-LED	Self contained	40.00"	100.50"	115	16.0	1/3	5-20P	897
SC-CFS40E-10-S-LED	Self contained	40.00"	124.50"	115	9.9	1/3	No	1150
SC-CFS40E-12-S-LED	Self contained	40.00"	148.50"	115	13.8	1/2	No	1414

FISH & POULTRY - REMOTES - LED LIT

Model No.	Description	Depth	Length	Voltage	Amps	BTUs	Power Cord	Est. Ship Wt
WHITE EXTERIOR & INTERIOR								
R-CFS40E-4-LED*	Remote	40.00"	52.50"	115	0.8	820	No	497
R-CFS40E-6-LED*	Remote	40.00"	76.50"	115	1.3	1230	No	693
R-CFS40E-8-LED*	Remote	40.00"	100.50"	115	1.6	1640	No	832
R-CFS40E-10-LED*	Remote	40.00"	124.50"	115	2.4	2050	No	1089
R-CFS40E-12-LED*	Remote	40.00"	148.50"	115	2.4	2460	No	1359

*Remotes available in Black and Stainless Steel Exteriors

OPTIONS PAGE 104-105

Recommended Operating Conditions - 75°F @ 55% Relative Humidity

40E Series Endless - Hot Cases - 53" High - Single Duty

Standard Features

- Designer White, Glossy Black Aluminum or Stainless Steel Exterior
- Designer White or Stainless Steel Interior
- Heavy Duty Bright Stainless Steel Top
- Gray Bumper - 1"
- Extra Large Easy Glide Rear Doors
- Wet or Dry Heated Wells
- Single Pane Vented Front Glass
- Coated Heat Lamp Over Each Well
- ETL classified under NSF & UL
- voltage: 120/240 or 120/208; 1 phase or 3 phase



HOT CASES - 53" HIGH

Model No.	Description	Depth	Length	Voltage	Amps	Power Cord	Est. Ship Wt
WHITE EXTERIOR & STAINLESS INTERIOR							
CHS40E-4	3 Wells	40.00"	52.50"	120/240/3	4.4/11.6	No	450
CHS40E-6	4 Wells	40.00"	76.50"	120/240/3	5.8/17.6	No	595
CHS40E-8	6 Wells	40.00"	100.50"	120/240/3	8.7/23.1	No	1025
BLACK EXTERIOR & STAINLESS INTERIOR							
CHS40E-4-BE	3 Wells	40.00"	52.50"	120/240/3	4.4/11.6	No	450
CHS40E-6-BE	4 Wells	40.00"	76.50"	120/240/3	5.8/17.6	No	595
CHS40E-8-BE	6 Wells	40.00"	100.50"	120/240/3	8.7/23.1	No	1025
STAINLESS STEEL EXTERIOR & INTERIOR							
CHS40E-4-S	3 Wells	40.00"	52.50"	120/240/3	4.4/11.6	No	450
CHS40E-6-S	4 Wells	40.00"	76.50"	120/240/3	5.8/17.6	No	595
CHS40E-8-S	6 Wells	40.00"	100.50"	120/240/3	8.7/23.1	No	1025

Length includes 2-1/4" for each end panel. Dimensions are +/- 1/4" tolerance.
 Recommended Operating Conditions - 75°F @ 55% Relative Humidity

OPTIONS PAGE 104-105



HMC Enterprises LLC

40E Series Endless - Curved Glass - Deli 53" High - Single Duty



Standard Features

- Designer White, Glossy Black Aluminum or Stainless Steel Exterior
- Designer White or Stainless Steel Interior
- Gray Bumper - 2"
- Epoxy Coated Main Deck Shelves
- Heavy Duty Bright Stainless Steel Top
- 1 Row of LED Lighting at Top Of Unit
- Full Length Gravity Coil Located Inside Top
- Endless Design Allows for Continuous Lineups
- Extra Wide Double Bend Curved Glass - Thermal Insulated
- Extra Large Easy Glide Rear Doors
- Electronically Controlled Temperature & Defrost
- Full Length Mezzanine Shelf (Deli Only)
- Energy Efficient LED Lighting
- UL Classified to ANSI/NSF 7

DELI CASE - LED LIT

Model No.	Description	Depth	Length	Voltage	Amps	HP	Power Cord	Est. Ship Wt
WHITE EXTERIOR & INTERIOR								
SC-CDS40E-4C-LED	Self contained	40.00"	51.50"	115	12.0	1/4	5-15P	530
SC-CDS40E-6C-LED	Self contained	40.00"	75.50"	115	12.0	1/3	5-15P	741
SC-CDS40E-8C-LED	Self contained	40.00"	99.50"	115	16.0	1/2	5-20P	983
BLACK EXTERIOR & WHITE INTERIOR								
SC-CDS40E-4C-BE-LED	Self contained	40.00"	51.50"	115	12.0	1/4	5-15P	530
SC-CDS40E-6C-BE-LED	Self contained	40.00"	75.50"	115	12.0	1/3	5-15P	741
SC-CDS40E-8C-BE-LED	Self contained	40.00"	99.50"	115	16.0	1/2	5-20P	983
STAINLESS STEEL EXTERIOR & INTERIOR								
SC-CDS40E-4C-S-LED	Self contained	40.00"	51.50"	115	12.0	1/4	5-15P	530
SC-CDS40E-6C-S-LED	Self contained	40.00"	75.50"	115	12.0	1/3	5-15P	741
SC-CDS40E-8C-S-LED	Self contained	40.00"	99.50"	115	16.0	1/2	5-20P	983

DELI CASE - REMOTES - LED LIT

Model No.	Description	Depth	Length	Voltage	Amps	BTUs	Power Cord	Est. Ship Wt
WHITE EXTERIOR & INTERIOR								
R-CDS40E-4C-LED*	Remote	40.00"	51.50"	115	0.8	1400	No	497
R-CDS40E-6C-LED*	Remote	40.00"	75.50"	115	1.3	2100	No	693
R-CDS40E-8C-LED*	Remote	40.00"	99.50"	115	1.6	2800	No	890

*Remotes available in Black and Stainless Steel Exteriors

OPTIONS PAGE 104-105

Recommended Operating Conditions - 75°F @ 55% Relative Humidity

40E Series Endless - Curved Glass - Red Meat 53" High - Single Duty

Standard Features

- Designer White, Glossy Black Aluminum or Stainless Steel Exterior
- Designer White or Stainless Steel Interior
- Gray Bumper - 2"
- Epoxy Coated Main Deck Shelves
- Heavy Duty Bright Stainless Steel Top
- 1 Row of LED Lighting at Top Of Unit
- Full Length Gravity Coil Located Inside Top
- Endless Design Allows for Continuous Lineups
- Extra Wide Double Bend Curved Glass - Thermal Insulated
- Extra Large Easy Glide Rear Doors
- Electronically Controlled Temperature & Defrost
- Humidity Coil Below Main Deck (Meat Only)
- Energy Efficient LED Lighting
- UL Classified to ANSI/NSF 7



RED MEAT - LED LIT

Model No.	Description	Depth	Length	Voltage	Amps	HP	Power Cord	Est. Ship Wt
WHITE EXTERIOR & INTERIOR								
SC-CMS40E-4C-LED	Self contained	40.00"	51.50"	115	12.0	1/4	5-15P	530
SC-CMS40E-6C-LED	Self contained	40.00"	75.50"	115	12.0	1/3	5-15P	741
SC-CMS40E-8C-LED	Self contained	40.00"	99.50"	115	16.0	1/2	5-20P	983
BLACK EXTERIOR & WHITE INTERIOR								
SC-CMS40E-4C-BE-LED	Self contained	40.00"	51.50"	115	12.0	1/4	5-15P	530
SC-CMS40E-6C-BE-LED	Self contained	40.00"	75.50"	115	12.0	1/3	5-15P	741
SC-CMS40E-8C-BE-LED	Self contained	40.00"	99.50"	115	16.0	1/2	5-20P	983
STAINLESS STEEL EXTERIOR & INTERIOR								
SC-CMS40E-4C-S-LED	Self contained	40.00"	51.50"	115	12.0	1/4	5-15P	530
SC-CMS40E-6C-S-LED	Self contained	40.00"	75.50"	115	12.0	1/3	5-15P	741
SC-CMS40E-8C-S-LED	Self contained	40.00"	99.50"	115	16.0	1/2	5-20P	983

RED MEAT - REMOTES - LED LIT

Model No.	Description	Depth	Length	Voltage	Amps	BTUs	Power Cord	Est. Ship Wt
WHITE EXTERIOR & INTERIOR								
R-CMS40E-4C-LED*	Remote	40.00"	51.50"	115	0.8	1400	No	497
R-CMS40E-6C-LED*	Remote	40.00"	75.50"	115	1.3	2100	No	693
R-CMS40E-8C-LED*	Remote	40.00"	99.50"	115	1.6	2800	No	890

*Remotes available in Black and Stainless Steel Exteriors

OPTIONS PAGE 104-105



HMC Enterprises LLC

831 East Cayuga St. Philadelphia, PA 19124 USA • (215) 464-6800 • 1-800-344-8222
fax (215) 969-4890 • E-Mail: sales@howardmccray.com • www.howardmccray.com

40E Series Service Cases - Curved Glass - Fish & Poultry 53" High - Single Duty

Standard Features

- Designer White, Glossy Black Aluminum or Stainless Steel Exterior
- Designer White or Stainless Steel Interior
- Gray Bumper - 2"
- Epoxy Coated Main Deck Shelves
- Heavy Duty Bright Stainless Steel Top
- R513A Expansion Valve System
- 1 Row of LED Lighting at Top Of Unit
- Full Length Gravity Coil Located Inside Top
- Endless Design Allows for Continuous Lineups
- Extra Large Easy Glide Rear Doors
- Electronically Controlled Temperature & Defrost
- Stainless Steel Ice Pans (Fish/Poultry Only)
- Energy Efficient LED Lighting
- UL Classified to ANSI/NSF 7
- DRAIN IS REQUIRED



FISH & POULTRY - LED LIT

Model No.	Description	Depth	Length	Voltage	Amps	HP	Power Cord	Est. Ship Wt
WHITE EXTERIOR & INTERIOR								
SC-CFS40E-4C-LED	Self contained	40.00"	51.50"	115	12.0	1/4	5-15P	530
SC-CFS40E-6C-LED	Self contained	40.00"	75.50"	115	12.0	1/3	5-15P	741
SC-CFS40E-8C-LED	Self contained	40.00"	99.50"	115	16.0	1/2	5-20P	897
BLACK EXTERIOR & WHITE INTERIOR								
SC-CFS40E-4C-BE-LED	Self contained	40.00"	51.50"	115	12.0	1/4	5-15P	530
SC-CFS40E-6C-BE-LED	Self contained	40.00"	75.50"	115	12.0	1/3	5-15P	741
SC-CFS40E-8C-BE-LED	Self contained	40.00"	99.50"	115	16.0	1/2	5-20P	897
STAINLESS STEEL EXTERIOR & INTERIOR								
SC-CFS40E-4C-S-LED	Self contained	40.00"	51.50"	115	12.0	1/4	5-15P	530
SC-CFS40E-6C-S-LED	Self contained	40.00"	75.50"	115	12.0	1/3	5-15P	741
SC-CFS40E-8C-S-LED	Self contained	40.00"	99.50"	115	16.0	1/2	5-20P	897

FISH & POULTRY - REMOTES - LED LIT

Model No.	Description	Depth	Length	Voltage	Amps	BTUs	Power Cord	Est. Ship Wt
WHITE EXTERIOR & INTERIOR								
R-CFS40E-4C-LED	Remote	40.00"	51.50"	115	0.8	820	No	497
R-CFS40E-6C-LED	Remote	40.00"	75.50"	115	1.3	1230	No	693
R-CFS40E-8C-LED	Remote	40.00"	99.50"	115	1.6	1640	No	832

*Remotes available in Black and Stainless Steel Exteriors

OPTIONS PAGE 104-105

Recommended Operating Conditions - 75°F @ 55% Relative Humidity

40E Series Endless - Curved Glass - Bakery 53" High - Single Duty

Standard Features

- Designer White, Glossy Black Aluminum or Stainless Steel Exterior
- Designer White or Stainless Steel Interior
- 2 Rows of Glass LED Lit Shelving
- Gray Bumper - 2"
- Epoxy Coated Main Deck Shelves
- Heavy Duty Bright Stainless Steel Top
- Extra Wide Double Bend Curved Glass - Thermal Insulated
- Endless Design Allows for Continuous Lineups
- 1-1/2" Removable End Panels
- Gravity Coil Located Inside Top
- Temperature and Defrost Electronically Controlled (Except Dry)
- Energy Efficient LED Lighting
- UL Classified to ANSI/NSF 7



Custom Laminate Color

BAKERY CASE - 53" HIGH - LED LIT

Model No.	Description	Depth	Length	Voltage	Amps	HP	Power Cord	Est. Ship Wt
WHITE EXTERIOR & INTERIOR								
SC-CBS40E-4C-LED	Self contained	40.00"	51.50"	115	12.0	1/4	5-15P	530
SC-CBS40E-6C-LED	Self contained	40.00"	75.50"	115	12.0	1/3	5-15P	741
SC-CBS40E-8C-LED	Self contained	40.00"	99.50"	115	16.0	1/2	5-20P	897
BLACK EXTERIOR & WHITE INTERIOR								
SC-CBS40E-4C-BE-LED	Self contained	40.00"	51.50"	115	12.0	1/4	5-15P	530
SC-CBS40E-6C-BE-LED	Self contained	40.00"	75.50"	115	12.0	1/3	5-15P	741
SC-CBS40E-8C-BE-LED	Self contained	40.00"	99.50"	115	16.0	1/2	5-20P	897
STAINLESS STEEL EXTERIOR & INTERIOR								
SC-CBS40E-4C-S-LED	Self contained	40.00"	51.50"	115	12.0	1/4	5-15P	530
SC-CBS40E-6C-S-LED	Self contained	40.00"	75.50"	115	12.0	1/3	5-15P	741
SC-CBS40E-8C-S-LED	Self contained	40.00"	99.50"	115	16.0	1/2	5-20P	897
DRY								
D-CBS40E-4C-LED	Dry	40.00"	51.50"	115	12.0	N/A	5-15P	497
D-CBS40E-6C-LED	Dry	40.00"	75.50"	115	12.0	N/A	5-15P	693
D-CBS40E-8C-LED	Dry	40.00"	99.50"	115	16.0	N/A	5-20P	832

BAKERY CASE - 53" HIGH - REMOTES - LED LIT

Model No.	Description	Depth	Length	Voltage	Amps	BTUs	Power Cord	Est. Ship Wt
WHITE EXTERIOR & INTERIOR								
R-CBS40E-4C-LED	Remote	40.00"	51.50"	115	0.8	820	No	497
R-CBS40E-6C-LED	Remote	40.00"	75.50"	115	1.3	1230	No	693
R-CBS40E-8C-LED	Remote	40.00"	99.50"	115	1.6	1640	No	832

*Remotes available in Black and Stainless Steel Exteriors

OPTIONS PAGE 104-105



HMC Enterprises LLC

831 East Cayuga St. Philadelphia, PA 19124 USA • (215) 464-6800 • 1-800-344-8222
fax (215) 969-4890 • E-Mail: sales@howardmccray.com • www.howardmccray.com

Accessories

DROP WORK SHELF*



NIGHT COVER



SECURITY COVER FOR
OPEN MERCHANDISERS



MEAT PLATTERS*
10" X 24", 11 1/2" X 27"
10" X 30"

DETAIL*



SCALE STAND
& PAPER CUTTER



POWER CORDS



NEMA 5-15P



NEMA 5-20P



NEMA L14-20P

*Length includes 1-1/2" for each end panel. Dimensions are +/- 1/4" tolerance.
Recommended Operating Conditions - 75°F @ 55% Relative Humidity

Recommended Operating Conditions - 75°F @ 55% Relative Humidity

Custom Installations



Service Case Options and Upgrades Page 1 of 2

OPTIONS

Part#	Description	Models #	
9000	End Panel Deduction	All (except 35)	Each
In-Div-XX	Insulated Divider	All (except 35)	Each
Plex-XX	Plexiglas Divider	All (except 35)	Each
JK-XX-W	Joint Kit White	All (except 35)	Each
JK-XX-B	Joint Kit Black	All (except 35)	Each
JK-XX-SS	Joint Kit SS	All (except 35)	Each
Mezz-4-XX	Extra Row of Mezzanine Shelves with Brackets	4'	Each
Mezz-6-XX	Extra Row of Mezzanine Shelves with Brackets	6'	Each
Mezz-8-XX	Extra Row (2) 4' Mezzanine Shelves with Brackets	8'	Each
Mezz-10-XX	Extra Row (2) 5' Mezzanine Shelves with Brackets	10'	Each
Mezz-12-XX	Extra Row (2) 6' Mezzanine Shelves with Brackets	12'	Each

A PILASTER SET IS REQUIRED ON FISH/POULTRY & RED MEAT WHEN ADDING A SHELF

Pil-4-XX	Pilaster to Hold Mezzanine Shelf - 1 set 4'	Fish/RM-4'	Each
Pil-6-XX	Pilaster to Hold Mezzanine Shelf - 1 set 6'	Fish/RM-6'	Each
Pil-8-XX	Pilaster to Hold Mezzanine Shelf - 2 sets 8'	Fish/RM-8'	Each
Pil-10-XX	Pilaster to Hold Mezzanine Shelf - 2 set 10'	Fish/RM-10'	Each
Pil-12-XX	Pilaster to Hold Mezzanine Shelf - 2 set 12'	Fish/RM-12'	Each
ShelfLight-XX-4	4' Light for 1 row of Shelf 32E,34E,40E (LED)	All 4' (except 35)	Each
ShelfLight-XX-6	6' Light for 1 row of Shelf 32E,34E,40E (LED)	All 6' (except 35)	Each
ShelfLight-XX-8	(2) 4' Lights for 1 row of Shelf 32E,34E,40E (LED)	All 8' (except 35)	Each
ShelfLight-XX-10	(2) 5' Lights for 1 row of Shelf 32E,34E,40E (LED)	All 10' (except 35)	Each
ShelfLight-XX-12	(2) 6' Lights for 1 row of Shelf 32E,34E,40E (LED)	All 12'(except 35)	Each
DT	Digital Thermometer	All	Each
ScaleSt	Scale Stand Only	8'-10'-12'	Each
ScalePaper	Scale Stand & Paper Cutter	8'-10'-12'	Each
DWS-836	Drop Work Shelf 8" x 36"	All	Each
DWS-1046	Drop Work Shelf 10" x 46"	All	Each
BS-4	Bread Shelf on Front of Case - 4'		
BS-6	Bread Shelf on Front of Case - 6'		
BS-8	Bread Shelf on Front of Case - 8'		
BS-10	Bread Shelf on Front of Case - 10'		
BS-12	Bread Shelf on Front of Case - 12'		
MDP-4-XX	Main Deck Pans - Stainless Steel (no wire Shelf)	4'	Set
MDP-6-XX	Main Deck Pans - Stainless Steel (no wire Shelf)	6'	Set
MDP-8-XX	Main Deck Pans - Stainless Steel (no wire Shelf)	8'	Set
MDP-10-XX	Main Deck Pans - Stainless Steel (no wire Shelf)	10'	Set
MDP-12-XX	Main Deck Pans - Stainless Steel (no wire Shelf)	12'	Set
CC-4-XX	Coated Coil 4' Top	4'	Each
CC-6-XX	Coated Coil 6' Top	6'	Each
CC-8-XX	Coated Coil 8' Top	8'	Each
CC-10-XX	Coated Coil 10' Top	10'	Each
CC-12-XX	Coated Coil 12' Top	12'	Each
CC-4B-XX	Coated Coil 4' Bottom	4'	Each
CC-6B-XX	Coated Coil 6' Bottom	6'	Each
CC-8B-XX	Coated Coil 8' Bottom	8'	Each
CC-10B-XX	Coated Coil 10' Bottom	10'	Each
CC-12B-XX	Coated Coil 12' Bottom	12'	Each

Recommended Operating Conditions - 75°F @ 55% Relative Humidity

Service Case Options and Upgrades Page 2 of 2

SECURITY

Part	Description		Part	Description	
SC-4	Security Locks - 4' - Top Doors	4' Set	SC-4B	Security Locks - 4' - Bottom Doors	4' Set
SC-6	Security Locks - 6' - Top Doors	6' Set	SC-6B	Security Locks - 6' - Bottom Doors	6' Set
SC-8	Security Locks - 8' - Top Doors	8' Set	SC-8B	Security Locks - 8' - Bottom Doors	8' Set
SC-10	Security Locks - 10' - Top Doors	10' Set	SC-10B	Security Locks - 10' - Bottom Doors	10' Set
SC-12	Security Locks - 12' - Top Doors	12' Set	SC-12B	Security Locks - 12' - Bottom Doors	12' Set

CUSTOM DESIGN

Please note add 2-3 weeks lead time when adding custom colors and laminates

Part	Description		Part	Description	
9001	Special Laminate** Complete Front	Per Ft	MRGD-4	Mirror Glass door set 4'	4' Set
9002	Special Laminate** Ext End Panel	Each	MRGD-6	Mirror Glass door set 6'	6' Set
9003	Special Laminate** Colorband	Each	MRGD-8	Mirror Glass door set 8'	8' Set
9004	Special Laminate** Rear	Per Ft	MRGD-10	Mirror Glass door set 10'	10' Set
9009	Stainless Steel Brushed Polished Complete Exterior		MRGD-12	Mirror Glass door set 12'	12' Set
9001	Special Color Paint Front	Per Ft	SSBD-4	Stainless Steel Solid door set 4'	4' Set
9002	Special Color Paint Ext End Panel	Each	SSBD-6	Stainless Steel Solid door set 6'	6' Set
9003	Special Color Paint Colorband	Per Ft	SSBD-8	Stainless Steel Solid door set 8'	8' Set
9004	Special Color Paint Rear	Per Ft	SSBD-10	Stainless Steel Solid door set 10'	10' Set
9005	Stainless Steel Interior - Upper Ends	Each	SSBD-12	Stainless Steel Solid door set 12'	12' Set
9007	Stainless Steel Complete Bottom Area	Per Ft	Bump-1	Special Color Bumper 1"	Per Ft
9010	Stainless Steel Brushed Mirrored Polished Complete Interior		Bump-2	Special Color Bumper 2" 40E-Curved only	Per Ft

**Laminates are priced for Wilson Art 06 Series.
Other laminates may be higher in price.

SPECIALTY CASE OPTIONS

Part	Description		Part	Description	
FISH/POULTRY CASES					
ICE-4	Ice Pans - Stainless Steel - 4' (2) pans	4' Set	RED MEAT CASES		
ICE-6	Ice Pans - Stainless Steel - 6' (3) pans	6' Set	MP-24	32E Meat Platter 10" x 24"	Each
ICE-8	Ice Pans - Stainless Steel - 8' (4) pans	8' Set	MP-27	34E-35 Meat Platter 11/2" x 27"	Each
ICE-10	Ice Pans - Stainless Steel - 10' (5) pans	10' Set	MP-30	40E Meat Platters 10" x 30"	Each
ICE-12	Ice Pans - Stainless Steel - 12' (6) pans	12' Set	REMOTE CASES		
EC-4	Bottom Coil - Fish ** 34 - 35 Series	4'	21-014-S	Temperature Control	Each
EC-6	Bottom Coil - Fish ** 34 - 35 Series	6'	SV-O30	Solenoid Valve - Refrigerator	Each
EC-8	Bottom Coil - Fish ** 34 - 35 Series	8'			
EC-10	Bottom Coil - Fish ** 34 - 35 Series	10'			
EC-12	Bottom Coil - Fish ** 34 - 35 Series	12'			

**Includes Required Condensing unit upgrade

"MADE TO ORDER" DISCLAIMER:

"Added Options" on Howard McCray units are considered "MADE TO ORDER". They will require a deposit and cannot be cancelled or returned once the order has been confirmed.

This includes: Remote Units, Stainless Steel, Special Colors, and Line-ups of Multiple Units.



HMC Enterprises LLC

Commercial Warranty

This warranty applies to all shipments made from **HMC Enterprises LLC** – known as **Howard/McCray** or “**McCray**” after July 1, 2017

ONE YEAR PARTS & LABOR WARRANTY

McCray warrants to the original purchaser of every new McCray refrigerated unit, the cabinet and all parts thereof, to be free from defects in material workmanship, under normal and proper use and ROUTINE Maintenance as specified by McCray and upon proper installation and start up by a commercially qualified refrigeration company in accordance with the instruction packet supplied with each McCray unit. McCray's obligation under this warranty is limited to a period on one (1) year from date of original installation or 15 months after shipment from McCray, whichever comes first.

Any parts covered under this warranty that are determined by McCray to have been defective within one (1) year from date of installation or (15) months after shipment from McCray, whichever occurs first, is limited to the repair or replacement, including labor charges or defective parts or assemblies as outlined in the labor & parts Warranty Schedule.

Warranty does not cover household use or normal wear & tear items such as gaskets, light bulbs & broken glass. Failure to register the unit in the warranty program will void the warranty. Failure to clean the condenser on a weekly basis will also void the warranty. Warranty does not cover issues caused by improper installation, lack of maintenance or effects of Mother Nature such as floods, lighting storms or other damaging situations.

5 YEAR COMPRESSOR WARRANTY

In addition to the five (5) year warranty above, McCray warrants its compressors, hermetically & semi-hermetically sealed compressors to be free from defects in both material and workmanship under normal and proper use and maintenance service for a period of five (5) years from date of installation or five (5) years & three (3) months from date of shipment. Compressors found defective during the first fourteen (14) must be returned to the Authorized Refrigeration Supply Company for an exchange. If the compressor is over fourteen (14) months, McCray “Reserves the Right” to exchange or replace the compressor with a compressor of similar age. After two (2) years, compressor replacements will be prorated based on the remaining age of the compressor. See our Warranty Schedule for full details. The five year warranty only applies to the compressor and no other parts even those related to the compressor. FAILURE to CLEAN the condenser routinely will void this warranty.

WARRANTY CLAIMS

ALL CLAIMS FOR LABOR OR PARTS MUST BE MADE DIRECTLY WITH MCCRAY. ALL CLAIMS MUST INCLUDE:

Model Number, Serial Number, Date of Purchase, Date of Installation, Service Authorization Number, Copy of replacement parts receipts, Service company invoice stating the defect (in accordance with our Warranty schedule), and Picture of the defective compressor. Must be submitted within sixty (60) days of service date. Please go to our Web-site for full details.

WHAT IS NOT COVERED BY THIS WARRANTY

McCray's sole obligation under this warranty is limited to either repair or replacement of parts, subject to the additional limitations below. This warranty neither assumes nor authorizes any person to assume obligations other than those expressly covered by this warranty.

THIS IS A COMMERCIAL WARRANTY AND DOES NOT COVER USE IN A NON COMMERCIAL ESTABLISHMENT.

Commercial Warranty

NON-CONSEQUENTIAL DAMAGES

McCray is not responsible for economic loss, profit loss or special, indirect or consequential damages, including without limitation, losses or damages arising from food or product spoilage claims, whether or not, they were caused by refrigeration failure.

WARRANTY IS NOT TRANSFERABLE

This warranty is not assignable and applies only in favor of the original purchaser/user to whom the product was delivered. Any such assignment or transfer shall void the warranties herein made and shall void all warranties, express or implied, including any warranty of merchantability or fitness for a particular purpose.

IMPROPER USE

McCray assumes no liability for parts or labor coverage for component failure or damages resulting from usage, installation or failure to clean and/or maintain as set forth in the warranty packet provided with the unit. Condensing coils **MUST BE CLEANED WEEKLY**.

ALTERATION, NEGLIGENCE, ABUSE, MISUSE, ACCIDENT, DAMAGE DURING TRANSIT OR INSTALLATION, FIRE, FLOOD OR OTHER ACTS OF GOD

McCray is not responsible for the repair or replacement of any parts McCray determines have been subjected after date of manufacture to alteration, neglect, abuse, misuse, accident, damage during transit or installation, fire, flood or acts of God.

IMPROPER ELECTRICAL CONNECTIONS

McCray is not responsible for repair or replacement of failed or damaged components resulting from electrical power failure, the use of extension cords, low voltage or voltage drops or spikes to the unit.

NO IMPLIED WARRANTY OF MERCHANTABILITY OR FITNESS FOR A PARTICULAR PURPOSE

There are **NO OTHER WARRANTIES**, expressed, implied or statutory, except the one (1) year parts and labor and five (5) year compressor warranty as described above. These warranties are exclusive and in lieu of all other warranties, including implied warranty and merchantability or fitness for a particular purpose. There are no warranties which extend beyond the description on the face hereof.

OUTSIDE U.S.

This warranty does not apply to and McCray is not responsible for, any warranty claims made on products sold or used outside the United States

Technical Service

Call at 1-800-344-8222 ext 350 or email at TCS@howardmccray.com



HMC Enterprises LLC

Howard McCray MAP Policy

**Effective September 30, 2019, HMC Enterprises;
Howard McCray and Orion by Clabo will implement the following MAP Policy.**

Introduction and Policy Overview

HMC Enterprises has a long history of providing high quality foodservice and retail equipment. Over the past 100+ years, we have worked with and relied upon a growing number of food service equipment dealer-partners to educate operators about the benefits of owning Howard McCray and Orion by Clabo equipment.

Our success is tied to the success of our dealer-partners, and in order to ensure that all our resellers can more effectively sell our products and continue to support our brand, we are implementing our Minimum Advertising Price policy (MAP Policy).

Policy Statement

HMC Enterprises, at its sole discretion, reserves the right to discontinue doing business with any reseller that advertises any product(s) covered by this MAP Policy for a price that is less than fifty percent (50%) of the product's List Price as shown in the current price book for Howard McCray and Orion by Clabo; and less than 63.55% of current list price for Fogel USA branded products.

General Guidelines

HMC Enterprises recognizes that resellers are free to make their own decisions to advertise and sell any product at any price they choose, without consulting or advising HMC Enterprises. Similarly, HMC Enterprises will exercise its right to make its own decisions regarding the accounts eligible to purchase HMC products. This MAP Policy applies to advertised prices, not the price at which MAP products are actually sold or offered for sale to an individual in-store or over the telephone.

Advertising Guidelines

The MAP Policy applies to all advertisements of MAP Products in any and all media, including but not limited to flyers, posters, coupons, mailers, inserts, newspapers, magazines, catalogs, television, radio, and public signage, as well as Internet sites, social media sites, apps, or any other electronic media.

Website features such as "Click for price" automated "bounce-back" pricing e-mails, pre-formatted e-mail responses, forms, and automatic price display for any items prior to being placed in a customer's shopping cart, and other similar features are considered to be communications initiated by the dealer and thereby constitute "advertising" under this MAP Policy. It shall not be a violation of this MAP Policy to advertise that a customer may "call for price" or "email for price" or to use similar language, so long as no price is listed.

This MAP Policy also applies to any activity which HMC Enterprises determines, at its sole discretion, is designed or intended to circumvent the intent of this MAP Policy.

Policy Enforcement

In the event of a MAP Policy violation, all reseller accounts shall have a period of forty-eight (48) hours to bring advertising into compliance or HMC Enterprises reserves the right to cancel any pending orders and cease filling any new orders for the product(s) in violation of this MAP Policy for the following periods: For an initial violation, not corrected within 48 hours, HMC Enterprises will cancel all pending orders and cease filling any new orders for a period of thirty (30) days.

For a second violation by a reseller within one (1) year of the initial violation, HMC Enterprises, at its discretion, reserves the right to cancel any pending orders or cease filling orders for a period ninety (90) days. Repeated infractions of this MAP policy may result in termination of dealer status.

HMC Enterprises will continue to sell to the reseller any other brands for which no MAP Policy violation has occurred.

HMC Enterprises is solely responsible for determining whether a violation of the MAP Policy has occurred. Resellers are expected to provide reasonable cooperation in any HMC Enterprises investigations regarding possible MAP Policy violations. Hindering, obstructing, delaying, or otherwise failing to cooperate with HMC Enterprises MAP Policy investigation is a violation of this MAP Policy.

The MAP Policy will be enforced by HMC Enterprises in its sole discretion and without notice. Dealers, distributors, resellers, have no right to enforce the MAP Policy. Violations of this MAP Policy may result in any of the aforementioned sanctions up to and including termination of our business relationship, as well as any available remedies at law.

HMC Enterprises LLC 1131 East Cayuga Street Philadelphia, PA 19124 USA

(215) 464-6800 • 800-344-8222 • Fax (215) 969-4890

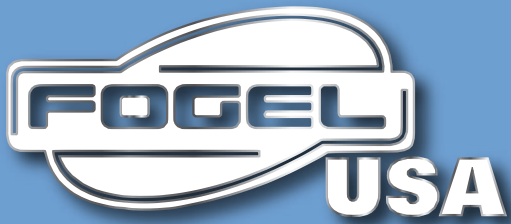
E-Mail: sales@howardmccray.com • www.howardmccray.com • www.ORIONbyClabo.com • www.FogelUSA.com

Recommended Operating Conditions - 75°F @ 55% Relative Humidity



Custom Installations





FOGEL USA CATALOG



DIVISION OF HMC ENTERPRISES LLC
831 E CAYUGA ST, PHILADELPHIA, PA 19124 USA • (215) 464-6800 • 1-800-344-8222
FAX (215) 969-4890 • E-MAIL: SALES@FOGELUSA.COM • WWW.FOGELUSA.COM



TABLE OF CONTENTS

	PAGE
BAKERY/DELI	113
ICE MERCHANDISERS.....	114, 115
BEER FROSTERS	116, 117
HINGED GLASS DOORS & COUNTER TOPS.....	118, 119
DECK SERIES, HINGED & SLIDING GLASS DOORS	120, 121
PARTS & ACCESSORIES	122
COMMERCIAL WARRANTY.....	123
MAP POLICY.....	124

FOGEL GROUP USA, LLC

HMC ENTERPRISES LLC

831 E CAYUGA ST, PHILADELPHIA, PA 19124 USA • (215) 464-6800
 1-800-344-8222 • FAX (215) 969-4890 • E-MAIL: SALES@FOGELUSA.COM • WWW.FOGELUSA.COM




ELITE-4-DC-G
STANDARD FEATURES

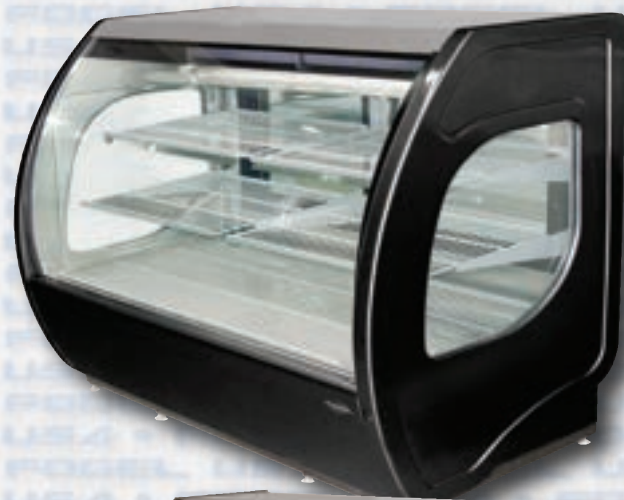
- LED Lighting
- 3 levels of display
- Reinforced steel base
- Heavy duty condensing unit for R290
- Electronically controlled, Forced air cooling

ELITE

- Thermoformed side walls with a modern design and side windows to enhance product exhibition

MIRAGE

- Thermoformed side walls with a modern design to enhance product exhibition


MIRAGE-6-DC-B

MIRAGE-6-DC-G

MODEL	DESCRIPTION	CU. FT	DEPTH	LENGTH	HEIGHT	VOLT	AMP	HP	POWER CORD	EST SHIP WT
DELI SERVICE CASE										
ELITE-4-DC-B	Black Deli Case	19.0	29.88"	48.50"	51.12"	115	4.5	1/4	Yes	404
ELITE-6-DC-B	Black Deli Case	24.0	29.88"	72.00"	51.12"	115	5.2	1/3	Yes	476
ELITE-4-DC-G	Gray Deli Case	19.0	29.88"	48.50"	51.12"	115	4.5	1/4	Yes	404
ELITE-6-DC-G	Gray Deli Case	24.0	29.88"	72.00"	51.12"	115	5.2	1/3	Yes	476
DELI SERVICE CASE										
MIRAGE-4-DC-B	Black Deli Case	19.0	29.88"	48.50"	51.12"	115	4.5	1/4	Yes	404
MIRAGE-6-DC-B	Black Deli Case	24.0	29.88"	72.00"	51.12"	115	5.2	1/3	Yes	476
MIRAGE-4-DC-G	Gray Deli Case	19.0	29.88"	48.50"	51.12"	115	4.5	1/4	Yes	404
MIRAGE-6-DC-G	Gray Deli Case	24.0	29.88"	72.00"	51.12"	115	5.2	1/3	Yes	476

FOGEL GROUP USA, LLC


ICE MERCHANDISERS



ICB-1



ICB-1-SLANT



ICB-1-GL

STANDARD FEATURES

- Exterior cabinet made of white vinyl coated steel
- Steel custom front trim enhances cabinet appearance and provides extra protection on corner of each unit
- Hinged door with chrome plated hardware, seals magnetically
- Reinforced 16 gauge galvanized steel base
- Strong body with thick walls, injected with CFC free polyurethane foam
- Heavy duty galvanized steel interior with air distribution channels
- High capacity blower cooled refrigeration system with automatic defrost
- Forced-air evaporator for rapid temperature "Pull Down"
- Graphics are visible on three sides for maximum merchandising effect
- UL Classified to ANSI/NSF 7

FOGEL GROUP USA, LLC

HMC ENTERPRISES LLC

831 E CAYUGA ST, PHILADELPHIA, PA 19124 USA • (215) 464-6800
1-800-344-8222 • FAX (215) 969-4890 • E-MAIL: SALES@FOGELUSA.COM • WWW.FOGELUSA.COM





ICB-2-L



ICB-2-S



ICB-2-GL

MODEL	DESCRIPTION	CU. FT	DEPTH	LENGTH	HEIGHT	VOLT	AMP	HP	POWER CORD	EST SHIP WT
OUTDOOR										
ICB-1-SLANT	1 Dr. Solid	40.0	34.25"	47.75"	74.00"	115	10	1/3	Yes	494
ICB-2-SLANT	2 Dr. Solid	60.0	34.25"	76.00"	74.00"	115	12	1/2	Yes	635
ICB-1	1 Dr. Solid	47.0	36.25"	55.50"	75.75"	115	10	1/3	Yes	494
ICB-2	2 Dr. Solid	60.0	36.25"	76.00"	75.75"	115	12	1/2	Yes	658
ICB-2-L	2 Dr. Solid	85.0	36.25"	96.00"	75.75"	115	12	1/2	Yes	774
INDOOR										
ICB-1-GL	1 Dr. Glass	47.0	36.25"	55.50"	75.75"	115	10	1/3	Yes	494
ICB-2-GL	2 Dr. Glass	60.0	36.25"	76.25"	75.75"	115	12	1/2	Yes	658
ICB-2-GL-L	2 Dr. Glass	85.0	36.25"	96.00"	75.75"	115	12	1/2	Yes	774

FOGEL GROUP USA, LLC

BEER FROSTERS

FROSTER-B-18-HC

FROSTER-B-30-HC

FROSTER-B-280-HC



WHILE SUPPLIES LAST

STANDARD FEATURES

- Cabinet made of galvanized steel, internally reinforced to support the full weight of the beer bottles
- Full color decals to attract consumers at the point of sale
- UL Classified to ANSI/NSF 7
- Self contained heavy duty condensing unit for R290
- Forced-air evaporator for rapid temperature "Pull Down"

HORIZONTAL

- Top and sliding doors constructed of stainless steel

VERTICAL

- Heavy duty hinges with automatic return and built-in door handle
- Modern high impact plastic front grill
- Curved foamed-in-place door made of galvanized steel (FROSTER 280)
- Modern thermoformed design of top header sign, door and grill stand out at the point of sale

FOGEL GROUP USA, LLC

HMC ENTERPRISES LLC

831 E CAYUGA ST, PHILADELPHIA, PA 19124 USA • (215) 464-6800
1-800-344-8222 • FAX (215) 969-4890 • E-MAIL: SALES@FOGELUSA.COM • WWW.FOGELUSA.COM




FROSTER-B-25-HC

FROSTER-B-50-HC

FROSTER-B-65-HC

MODEL	DESCRIPTION	CU. FT	DEPTH	LENGTH	HEIGHT	VOLT	AMP	HP	POWER CORD	EST SHIP WT
HORIZONTAL										
FROSTER-B-25-HC	1 Dr. - 96 Bottles	5.0	27.25"	26.00"	33.63"	115	4.3	1/5	Yes	178
FROSTER-B-50-HC	2 Dr. - 336 Bottles	15.0	27.25"	51.25"	33.63"	115	7.6	1/3	Yes	284
FROSTER-B-65-HC	3 Dr. - 480 Bottles	21.0	27.25"	66.25"	33.63"	115	9.2	1/2	Yes	348
VERTICAL										
FROSTER-B-280-HC	1 Dr. - 4 Shelves	18.0	27.25"	28.25"	79.00"	115	6.5	1/3	Yes	235
FROSTER-B-18-HC	1 Dr. Glass - 4 Shelves	18.0	27.25"	28.25"	79.00"	115	7.5	1/3	Yes	315
FROSTER-B-30-HC*	2 Dr. Glass - 8 Shelves	30.0	25.88"	43.50"	79.00"	115	10.4	2 x 1/4	Yes	535
HORIZONTAL BLACK CASES - NO LOGO										
FROSTER-B-25-HC-B	1 Dr. - 96 Bottles	5.0	27.25"	26.00"	33.63"	115	4.3	1/5	Yes	178
FROSTER-B-50-HC-B	2 Dr. - 336 Bottles	15.0	27.25"	51.25"	33.63"	115	7.6	1/3	Yes	284
FROSTER-B-65-US-B	3 Dr. - 480 Bottles	21.0	27.25"	66.25"	33.63"	115	9.2	1/2	Yes	348

***WHILE SUPPLIES LAST**

FOGEL GROUP USA, LLC

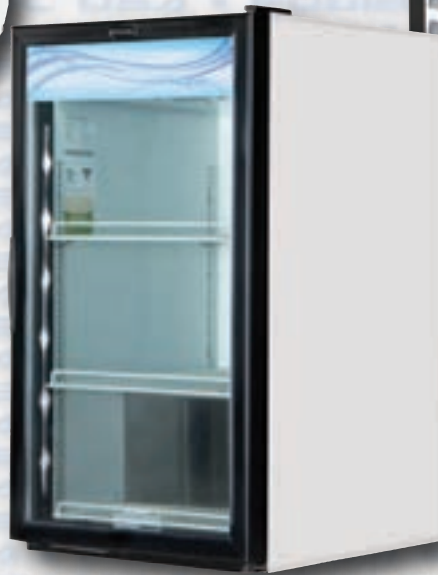
HINGED GLASS DOORS & COUNTER TOPS



VR-10-HC



X-8-HC



CC-7-HC

STANDARD FEATURES

- Interior and exterior constructed of heavy duty white coated steel
- Low-E glass to avoid condensation
- Illuminated top header sign (some models)
- Externally mounted display doors
- Recessed door handle
- Heavy duty shelves with clips
- Heavy duty hinges with self closing mechanism
- Forced-air evaporator for rapid temperature "Pull Down"
- Self contained heavy duty condensing unit for R290
- Energy efficient LED lighting
- UL Classified to ANSI/NSF 7

FOGEL GROUP USA, LLC

HMC ENTERPRISES LLC

831 E CAYUGA ST, PHILADELPHIA, PA 19124 USA • (215) 464-6800
1-800-344-8222 • FAX (215) 969-4890 • E-MAIL: SALES@FOGELUSA.COM • WWW.FOGELUSA.COM





VR-15-HC

VR-17-RE-HC

VR-26-HC

MODEL	DESCRIPTION	CU. FT	DEPTH	LENGTH	HEIGHT	VOLT	AMP	HP	POWER CORD	EST SHIP WT
COUNTER TOPS										
CC-7-HC	1 Dr. 3 Shelves	7.0	25.00"	21.25"	37.75"	115	3.2	1/8	Yes	170
HINGED GLASS DOOR										
VR-10-HC	1 Dr. 3 Shelves	10.0	22.50"	25.00"	53.4375"	115	2.8	1/5	Yes	230
X-8-HC	1 Dr. 2 Shelves	8.0	22.00"	21.10"	61.250"	115	2.5	1/7	Yes	205
VR-12-HC	1 Dr. 3 Shelves	12.0	22.50"	25.00"	62.5625"	115	2.0	1/5	Yes	235
VR-15-HC	1 Dr. 3 Shelves	15.0	26.00"	29.875"	65.625"	115	2.6	1/4	Yes	310
VR-17-RE-HC	1 Dr. 3 Shelves	17.0	25.75"	30.00"	74.00"	115	4.4	1/4	Yes	250
VR-26-HC	1 Dr. 4 Shelves	26.0	29.50"	30.00"	78.00"	115	5.8	1/2	Yes	498

*Cases ship without the decals shown above.

FOGEL GROUP USA, LLC

HINGED & SLIDING GLASS DOORS



VR-45-SD-HC*

Units will ship with white sides, and standard header*.

STANDARD FEATURES

- Interior and exterior constructed of heavy duty white coated steel
- Low-E glass to avoid condensation
- Illuminated top header (some models)
- Externally mounted display doors
- Recessed door handle
- Heavy duty shelves with clips
- Forced-air evaporator for rapid temperature "Pull Down"
- Self contained heavy duty condensing unit for R290
- Energy efficient LED lighting
- UL Classified to ANSI/NSF 7

MODEL	DESCRIPTION	CU. FT	DEPTH	LENGTH	HEIGHT	VOLT	AMP	HP	POWER CORD	EST SHIP WT
SLIDING GLASS DOORS REACH IN - REFRIGERATORS - BOTTOM MOUNT										
VR-45-SD-HC*	2 Dr. 8 Shelves	45.0	29.50"	51.00"	78.00"	115	11.8	1/2	Yes	574

*Cases ship without the decals shown above.

FOGEL GROUP USA, LLC

HMC ENTERPRISES LLC

831 E CAYUGA ST, PHILADELPHIA, PA 19124 USA • (215) 464-6800
 1-800-344-8222 • FAX (215) 969-4890 • E-MAIL: SALES@FOGELUSA.COM • WWW.FOGELUSA.COM





CR-65-HC



CR-49-HC

MODEL	DESCRIPTION	CU. FT	DEPTH	LENGTH	HEIGHT	VOLT	AMP	HP	POWER CORD	EST SHIP WT
HINGED GLASS DOORS - 2 & 3 DOOR										
CR-49-HC	2 Dr. 8 Shelves	49.0	29.50"	60.00"	78.00"	115	10.8	1/2	Yes	698
CR-65-HC	3 Dr. 12 Shelves	65.0	29.50"	78.00"	78.00"	115	16.0	3/4	Yes	810
*Cases ship without the decals shown above.										

FOGEL GROUP USA, LLC

Part#	Description
ES-XX-L	Extra shelf left
ES-XX-R	Extra shelf right
ES-XX-C	Extra shelf center
DL-1	Door Locks 1 door unit
DL-2	Door Locks 2 door unit
DL-3	Door Locks 3 door unit
SDL-2	Door Locks 2 sliding door unit
SDL-3	Door Locks 3 sliding door unit
Casters-4	Set of 4 casters 5"
Casters-6	Set of 6 casters 5"
Casters-8	Set of 8 casters 5"
Legs-4	Set of 4 black legs
Legs-6	Set of 6 black legs
Legs-8	Set of 8 black legs
DIV-Frost-S	Divider for Froster Compressor area
DIV-Frost-M.....	Divider for Froster middle
DIV-Frost-E	Divider for Froster ends

XX = Model#

FOGEL GROUP USA, LLC

HMC ENTERPRISES LLC

831 E CAYUGA ST, PHILADELPHIA, PA 19124 USA • (215) 464-6800
 1-800-344-8222 • FAX (215) 969-4890 • E-MAIL: SALES@FOGELUSA.COM • WWW.FOGELUSA.COM

COMMERCIAL WARRANTY

This warranty applies to all shipments made from Fogel USA after **April 1, 2017**

THREE YEAR PARTS & LABOR WARRANTY

Fogel warrants to the original purchaser of every new Fogel refrigerated unit, the cabinet and all parts thereof, to be free from defects in material workmanship, under normal and proper use and ROUTINE Maintenance as specified by Fogel and upon proper installation and start up by a commercially qualified refrigeration company in accordance with the instruction packet supplied with each Fogel unit. Fogel's obligation under this warranty is limited to a period of (3) years from date of original installation or 39 months after shipment from FOGEL, whichever comes first.

Any parts covered under this warranty that are determined by Fogel to have been defective within three (3) years from date of installation or (39) months after shipment from Fogel, whichever occurs first, is limited to the repair or replacement, including labor charges or defective parts or assemblies as outlined in the labor & parts Warranty Schedule.

Warranty applies to **COMMERCIAL ESTABLISHMENT Use Only** (no residential, office or industrial use covered). Warranty does not cover household use or normal wear & tear items such as gaskets, light bulbs & broken glass. Failure to register the unit will void the warranty. Failure to clean the condenser on a weekly basis will also void the warranty. Warranty does not cover issues caused by improper installation, lack of maintenance or effects of Mother Nature such as floods, lighting storms or other damaging situations. Invoice must be paid in full to activate the warranty.

5 YEAR COMPRESSOR WARRANTY

In addition to the three (3) year warranty above, Fogel warrants its compressors, hermetically & semi-hermetically sealed compressors to be free from defects in both material and workmanship under normal and proper use and maintenance service for a period of five (5) years from date of installation or five (5) years & three (3) months from date of shipment. Compressors found defective during the first fourteen (14) months must be returned to the Authorized Refrigeration Supply Company for an exchange. If the compressor is over fourteen (14) months, Fogel "Reserves the Right" to exchange or replace the compressor with a compressor of similar age. After two (2) years, compressor replacements will be prorated based on the remaining age of the compressor. See our Warranty Schedule for full details. The five year warranty only applies to the compressor and no other parts even those related to the compressor. FAILURE to CLEAN the condenser routinely may void this warranty.

WARRANTY CLAIMS

All claims for labor or parts must be made directly with Fogel. All claims MUST include:

Model Number, Serial Number, Date of Purchase, Date of Installation, Service Authorization Number, Copy of replacement parts receipts, Service company invoice stating the defect (in accordance with our Warranty schedule), and Picture of the defective compressor.

Must be submitted within sixty (60) days of service date. Please go to our Web-site for full details.

WHAT IS NOT COVERED BY THIS WARRANTY

Fogel's sole obligation under this warranty is limited to either repair or replacement of parts, subject to the additional limitations below. This warranty neither assumes nor authorizes any person to assume obligations other than those expressly covered by this warranty.

This is a commercial warranty and does not cover use in a non commercial establishment.

NON-CONSEQUENTIAL DAMAGES – Fogel is not responsible for economic loss, profit loss or special, indirect or consequential damages, including without limitation, losses or damages arising from food or product spoilage claims, whether or not, they were caused by refrigeration failure.

WARRANTY IS NOT TRANSFERABLE – This warranty is not assignable and applies only in favor of the original purchaser/user to whom the product was delivered. Any such assignment or transfer shall void the warranties herein made and shall void all warranties, express or implied, including any warranty of merchantability or fitness for a particular purpose.

IMPROPER USE – Fogel assumes no liability for parts or labor coverage for component failure or damages resulting from usage, installation or failure to clean and/or maintain as set forth in the warranty packet provided with the unit. Condensing coils **MUST BE CLEANED WEEKLY**.

ALTERATION, NEGLIGENCE, ABUSE, MISUSE, ACCIDENT, DAMAGE DURING TRANSIT OR INSTALLATION, FIRE, FLOOD OR OTHER ACTS OF GOD – Fogel is not responsible for the repair or replacement of any parts Fogel determines have been subjected after date of manufacture to alteration, neglect, abuse, misuse, accident, damage during transit or installation, fire, flood or acts of God.

IMPROPER ELECTRICAL CONNECTIONS - Fogel is not responsible for repair or replacement of failed or damaged components resulting from electrical power failure, the use of extension cords, low voltage or voltage drops or spikes to the unit.

NO IMPLIED WARRANTY OF MERCHANTABILITY OR FITNESS FOR A PARTICULAR PURPOSE – There are **NO OTHER WARRANTIES**, expressed, implied or statutory, except the three(3) year parts and labor and five (5) year compressor warranty as described above. These warranties are exclusive and in lieu of all other warranties, including implied warranty and merchantability or fitness for a particular purpose. There are no warranties which extend beyond the description on the face hereof.

OUTSIDE U.S. – This warranty does not apply to and Fogel is not responsible for, any warranty claims made on products sold or used outside the United States

Technical Service – call at 1-800-344-8222 or email at techservice@fogelusa.com

FOGEL GROUP USA, LLC

Minimum Advertised Pricing (MAP) Policy

Effective September 30, 2019, Fogel USA implemented the following MAP Policy.

Introduction and Policy Overview

Fogel USA has a long history of providing high quality foodservice and retail equipment. Over the past 100+ years, we have worked with and relied upon a growing number of food service equipment dealer-partners to educate operators about the benefits of owning Fogel USA equipment.

Our success is tied to the success of our dealer-partners, and in order to ensure that all our resellers can more effectively sell our products and continue to support our brand, we are implementing our Minimum Advertising Price policy ("MAP Policy").

Policy Statement

Fogel USA, at its sole discretion, reserves the right to discontinue doing business with any reseller that advertises any product(s) covered by this MAP Policy for a price. Call us for the latest MAP Policy.

General Guidelines

Fogel USA recognizes that resellers are free to make their own decisions to advertise and sell any product at any price they choose, without consulting or advising Fogel USA. Similarly, Fogel USA will exercise its right to make its own decisions regarding the accounts eligible to purchase Fogel USA products.

This MAP Policy applies to advertised prices, not the price at which MAP products are actually sold or offered for sale to an individual in-store or over the telephone.

Advertising Guidelines

The MAP Policy applies to all advertisements of MAP Products in any and all media, including but not limited to flyers, posters, coupons, mailers, inserts, newspapers, magazines, catalogs, television, radio, and public signage, as well as Internet sites, social media sites, apps, or any other electronic media.

Website features such as "click for price", automated "bounce-back" pricing e-mails, pre-formatted e-mail responses, forms, and automatic price display for any items prior to being placed in a customer's shopping cart, and other similar features are considered to be communications initiated by the dealer and thereby constitute "advertising" under this MAP Policy.

It shall not be a violation of this MAP Policy to advertise that a customer may "call for price" or "email for price", or to use similar language, so long as no price is listed.

This MAP Policy also applies to any activity which Fogel USA determines, at its sole discretion, is designed or intended to circumvent the intent of this MAP Policy.

FOGEL GROUP USA, LLC

HMC ENTERPRISES LLC

831 E CAYUGA ST, PHILADELPHIA, PA 19124 USA • (215) 464-6800
1-800-344-8222 • FAX (215) 969-4890 • E-MAIL: SALES@FOGELUSA.COM • WWW.FOGELUSA.COM





FOGEL GROUP USA, LLC

