

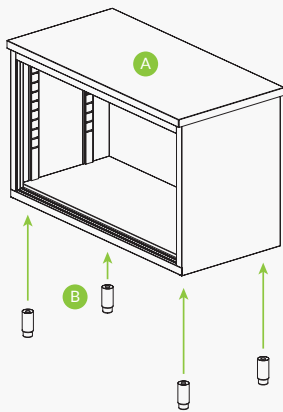
Enclosed Work Table with Sliding Doors

Assembly Instructions

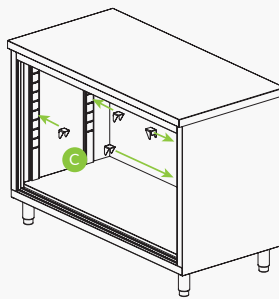
PARTS

- A** (1) Overall Framework
- B** (4) Adjustable Bullet Feet
- C** (4) Support Clips
- D** (1) Mid Shelf
- E** (1) Right Door
- F** (1) Left Door

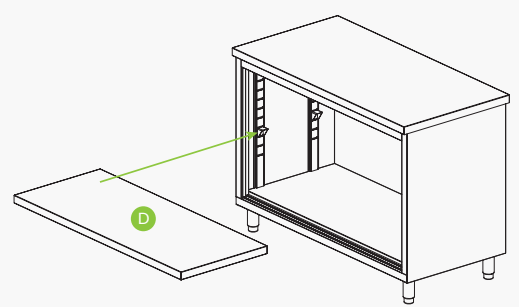
Step 1



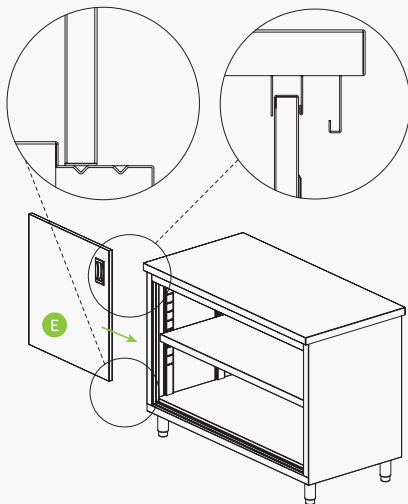
Step 2



Step 3



Step 4



Step 5

