

Electric Steam Tables



Intertek

Models: 423EST2WO, 423EST3WO, 423EST4WO500, 423EST4WO750, 423EST5WO, 423EST2WOPB, 423EST3WOPB, 423EST4WOPBA, 423EST4WOPBH, 423EST5WOPB, 423EST2WS, 423EST3WS, 423EST4WS500, 423EST4WS750, 423EST5WS, 423EST2WSPB, 423EST3WSPB, 423EST4WSPBA, 423EST4WSPBH, 423EST5WSPB

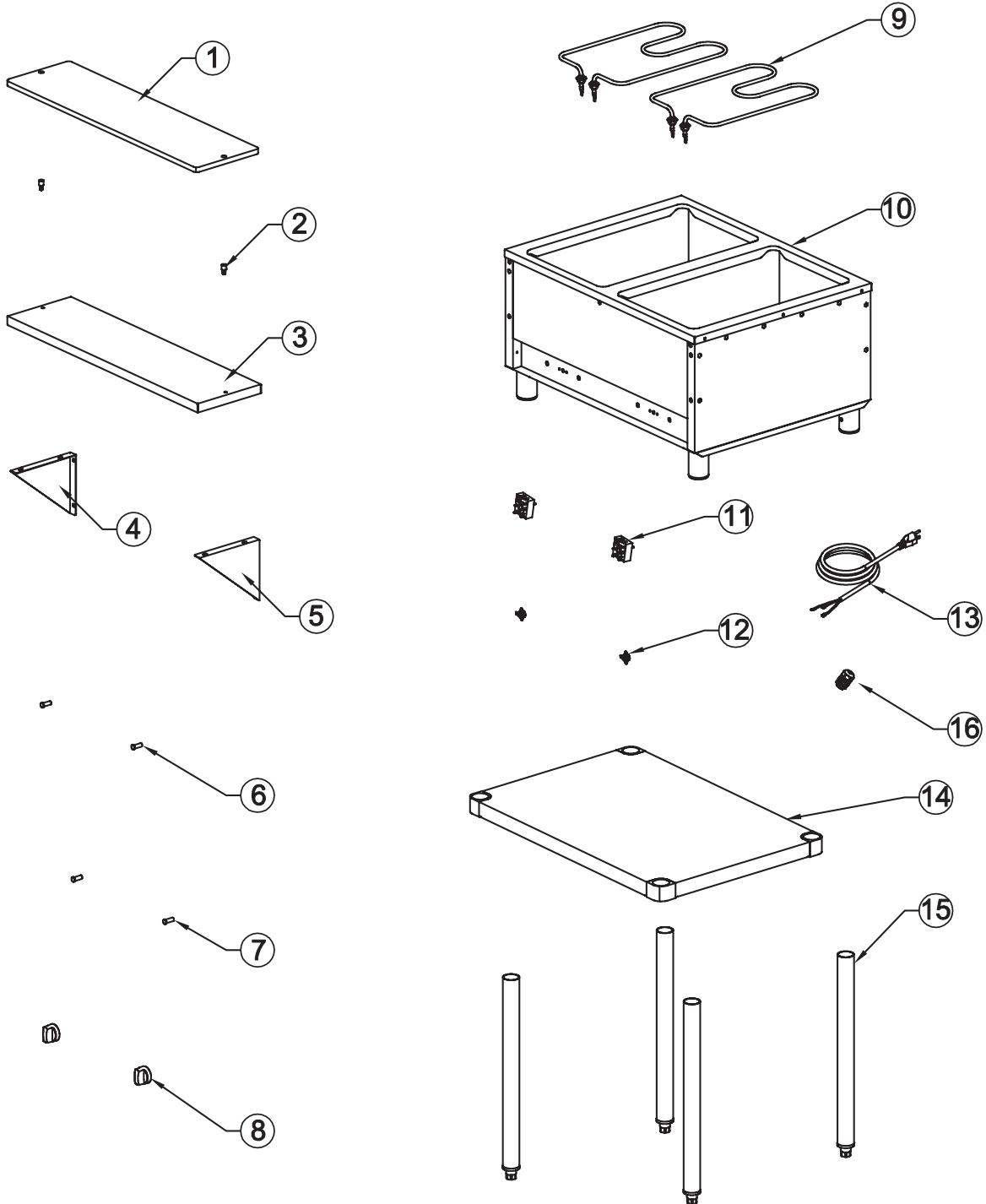
Open Well Electric Steam Tables

423EST2WO, 423EST3WO, 423EST4WO500, 423EST4WO750, 423EST5WO

| KEY # | PART # | DESCRIPTION | QUANTITY PER MODEL # | | | | |
|--------|---------------|----------------------------------|----------------------|-----------|--------------|--------------|-----------|
| | | | 423EST2WO | 423EST3WO | 423EST4WO500 | 423EST4WO750 | 423EST5WO |
| 1(A) | 423PST2CBD | Cutting Board, 2-Well | 1 | -- | -- | -- | -- |
| 1(B) | 423PST3CBD | Cutting Board, 3-Well | -- | 1 | -- | -- | -- |
| 1(C) | 423PST4CBD | Cutting Board, 4-Well | -- | -- | 1 | 1 | -- |
| 1(D) | 423PST5CBD | Cutting Board, 5-Well | -- | -- | -- | -- | 1 |
| 2 | 423PSTLOCPIN | Cutting Board Mounting Pin | 2 | 2 | 2 | 2 | 2 |
| 3 | -- | Hanging Shelf | 1 | 1 | 1 | 1 | 1 |
| 4/5(A) | 4232STSB | Shelf Bracket Set, 2/3-Well | 1 | 1 | -- | -- | -- |
| 4/5(B) | 4233STSB | Shelf Bracket Set, 4/5-Well | -- | -- | 1 | 1 | 1 |
| 6(A) | 423PESTGPL120 | Green Indicator Light, 120V | 2 | 3 | 4 | -- | -- |
| 6(B) | 423PESTGPL240 | Green Indicator Light, 240V | -- | -- | -- | 4 | 5 |
| 7(A) | 423PESTRPL120 | Red Indicator Light, 120V | 2 | 3 | 4 | -- | -- |
| 7(B) | 423PESTRPL240 | Red Indicator Light, 240V | -- | -- | -- | 4 | 5 |
| 8 | 423PESTKNOB | Control Knob | 2 | 3 | 4 | 4 | 5 |
| 9(A) | 423PESTWOELA | Heating Element, Open Well, 120V | 2 | 3 | 4 | -- | -- |
| 9(B) | 423PESTWOELH | Heating Element, Open Well, 240V | -- | -- | -- | 4 | 5 |
| 10 | -- | Steam Table Body | 1 | 1 | 1 | 1 | 1 |
| 11 | -- | Converter | 2 | 3 | 4 | 4 | 5 |
| 12(A) | 423PESTTHRMA | Thermostat, 120V | 2 | 3 | 4 | -- | -- |
| 12(B) | 423PESTTHRMH | Thermostat, 240V | -- | -- | -- | 4 | 5 |
| 13(A) | 423PEST515P | Power Cord, 2/3-Well | 1 | 1 | -- | -- | -- |
| 13(B) | 423PEST520P | Power Cord, 4-Well, 120V | -- | -- | 1 | -- | -- |
| 13(C) | 423PEST620P | Power Cord, 4/5-Well, 240V | -- | -- | -- | 1 | 1 |
| 14 | -- | Undershelf | 1 | 1 | 1 | 1 | 1 |
| 15 | 423LEGALV512 | Leg - Adjustable Shelf Only | 4 | 4 | 4 | 4 | 4 |
| 16 | -- | Cord Protector | 1 | 1 | 1 | 1 | 1 |

Exploded Parts Diagram

423EST2W0, 423EST3W0, 423EST4W0500, 423EST4W0750, 423EST5W0



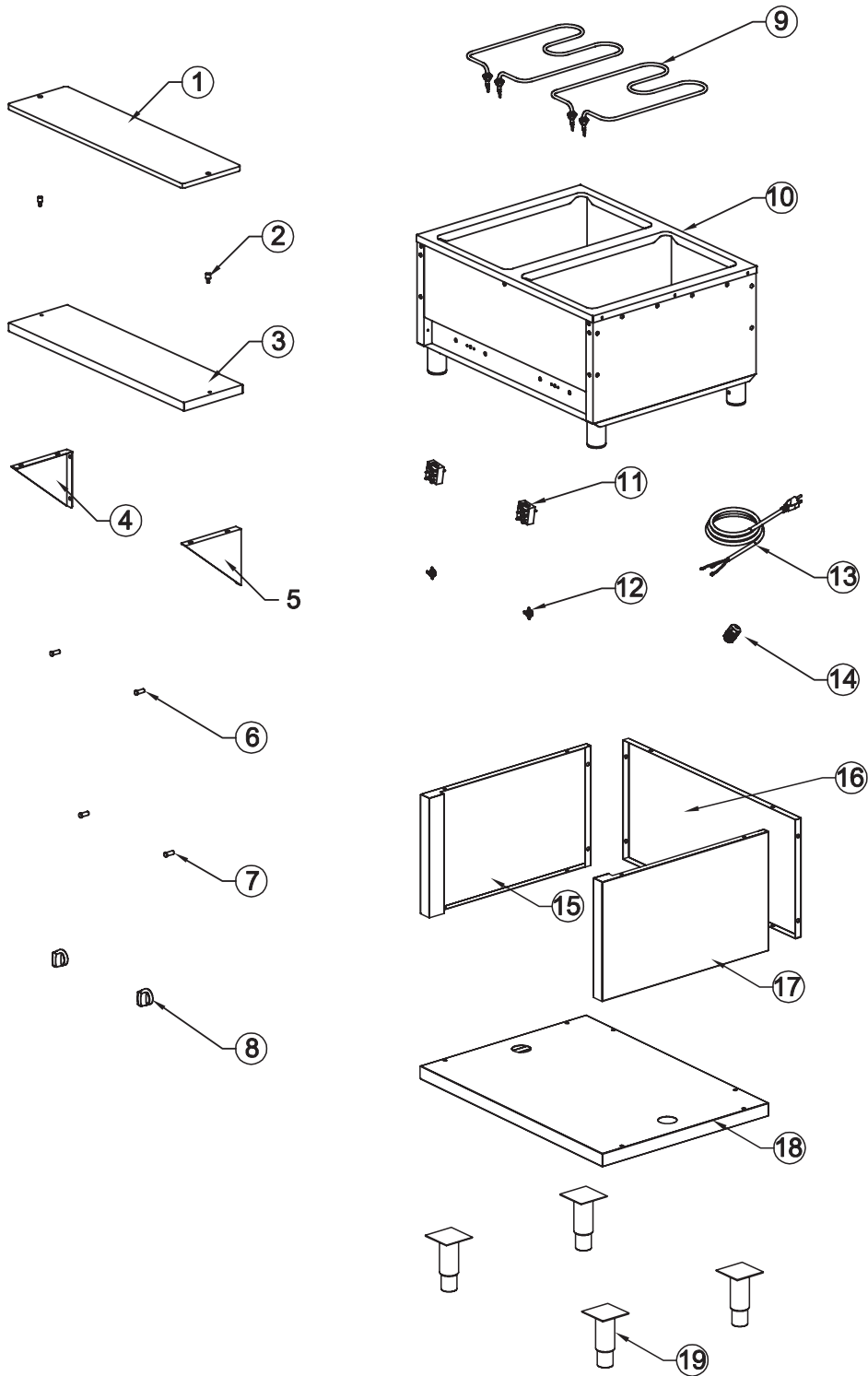
Open Well Enclosed Electric Steam Tables

423EST2WOPB, 423EST3WOPB, 423EST4WOPBA, 423EST4WOPBH, 423EST5WOPB

| KEY # | PART # | DESCRIPTION | QUANTITY PER MODEL # | | | | |
|--------|---------------|----------------------------------|----------------------|-------------|--------------|--------------|-------------|
| | | | 423EST2WOPB | 423EST3WOPB | 423EST4WOPBA | 423EST4WOPBH | 423EST5WOPB |
| 1(A) | 423PST2CBD | Cutting Board, 2-Well | 1 | -- | -- | -- | -- |
| 1(B) | 423PST3CBD | Cutting Board, 3-Well | -- | 1 | -- | -- | -- |
| 1(C) | 423PST4CBD | Cutting Board, 4-Well | -- | -- | 1 | 1 | -- |
| 1(D) | 423PST5CBD | Cutting Board, 5-Well | -- | -- | -- | -- | 1 |
| 2 | 423PSTLOCPIN | Cutting Board Mounting Pin | 2 | 2 | 2 | 2 | 2 |
| 3 | -- | Hanging Shelf | 1 | 1 | 1 | 1 | 1 |
| 4/5(A) | 4232STSB | Shelf Bracket Set, 2/3-Well | 1 | 1 | -- | -- | -- |
| 4/5(B) | 4233STSB | Shelf Bracket Set, 4/5-Well | -- | -- | 1 | 1 | 1 |
| 6(A) | 423PESTGPL120 | Green Indicator Light, 120V | 2 | 3 | 4 | -- | -- |
| 6(B) | 423PESTGPL240 | Green Indicator Light, 240V | -- | -- | -- | 4 | 5 |
| 7(A) | 423PESTRPL120 | Red Indicator Light, 120V | 2 | 3 | 4 | -- | -- |
| 7(B) | 423PESTRPL240 | Red Indicator Light, 240V | -- | -- | -- | 4 | 5 |
| 8 | 423PESTKNOB | Control Knob | 2 | 3 | 4 | 4 | 5 |
| 9(A) | 423PESTWOELA | Heating Element, Open Well, 120V | 2 | 3 | 4 | -- | -- |
| 9(B) | 423PESTWOELH | Heating Element, Open Well, 240V | -- | -- | -- | 4 | 5 |
| 10 | -- | Steam Table Body | 1 | 1 | 1 | 1 | 1 |
| 11 | -- | Converter | 2 | 3 | 4 | 4 | 5 |
| 12(A) | 423PESTTHRMA | Thermostat, 120V | 2 | 3 | 4 | -- | -- |
| 12(B) | 423PESTTHRMH | Thermostat, 240V | -- | -- | -- | 4 | 5 |
| 13(A) | 423PEST515P | Power Cord, 2/3-Well | 1 | 1 | -- | -- | -- |
| 13(B) | 423PEST520P | Power Cord, 4-Well, 120V | -- | -- | 1 | -- | -- |
| 13(C) | 423PEST620P | Power Cord, 4/5-Well, 240V | -- | -- | -- | 1 | 1 |
| 14 | -- | Cord Protector | 1 | 1 | 1 | 1 | 1 |
| 15 | -- | Left Side Plate | 1 | 1 | 1 | 1 | 1 |
| 16 | -- | Back Plate | 1 | 1 | 1 | 1 | 1 |
| 17 | -- | Right Side Plate | 1 | 1 | 1 | 1 | 1 |
| 18 | -- | Bottom Plate | 4 | 4 | 4 | 4 | 4 |
| 19 | -- | Foot | 4 | 4 | 4 | 4 | 4 |

Exploded Parts Diagram

423EST2WOPB, 423EST3WOPB, 423EST4WOPBA, 423EST4WOPBH, 423EST5WOPB



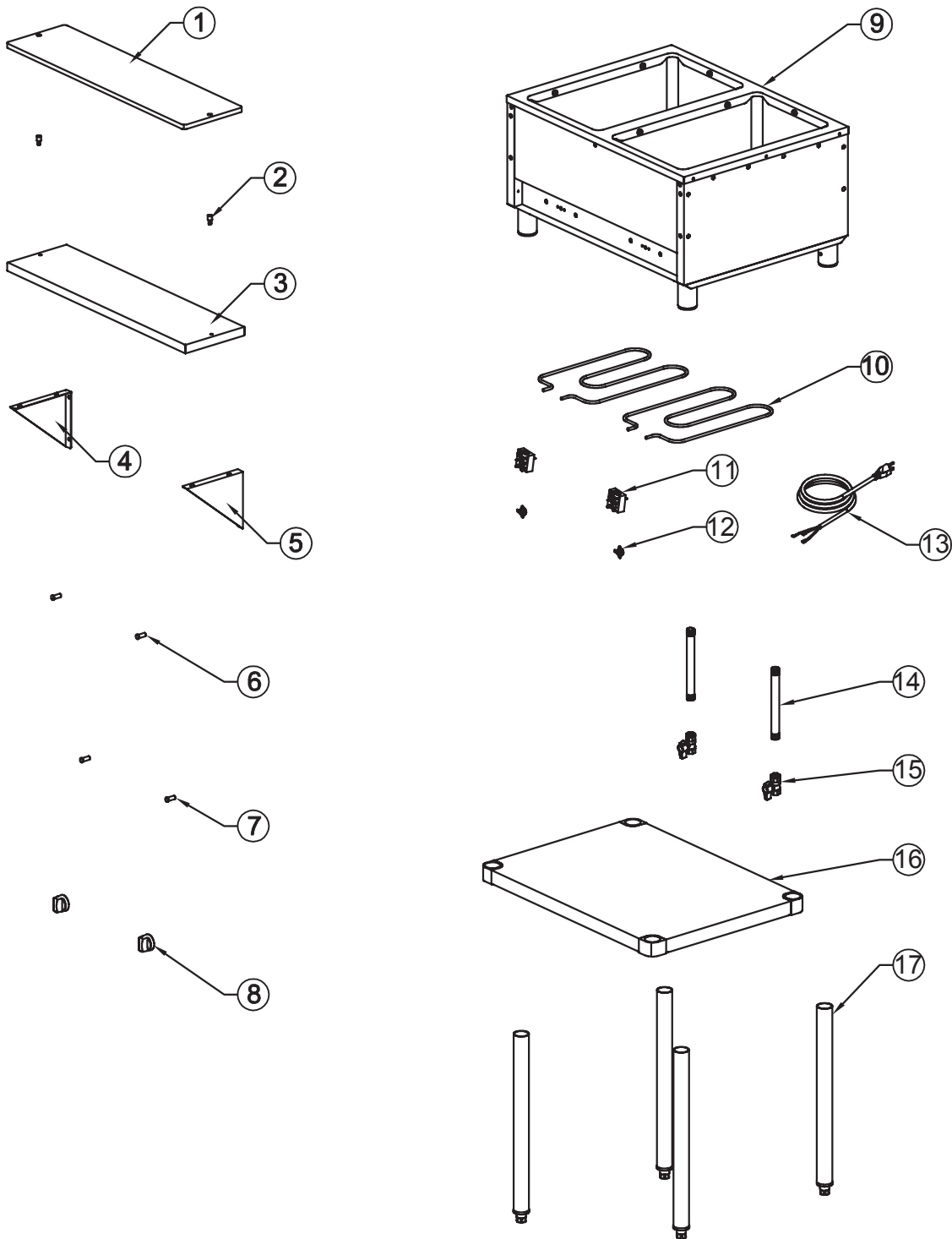
Sealed Well Electric Steam Tables

423EST2WS, 423EST3WS, 423EST4WS500, 423EST4WS750, 423EST5WS

| KEY # | PART # | DESCRIPTION | QUANTITY PER MODEL # | | | | |
|--------|---------------|------------------------------------|----------------------|-----------|--------------|--------------|-----------|
| | | | 423EST2WS | 423EST3WS | 423EST4WS500 | 423EST4WS750 | 423EST5WS |
| 1(A) | 423PST2CBD | Cutting Board, 2-Well | 1 | -- | -- | -- | -- |
| 1(B) | 423PST3CBD | Cutting Board, 3-Well | -- | 1 | -- | -- | -- |
| 1(C) | 423PST4CBD | Cutting Board, 4-Well | -- | -- | 1 | 1 | -- |
| 1(D) | 423PST5CBD | Cutting Board, 5-Well | -- | -- | -- | -- | 1 |
| 2 | 423PSTLOCPIN | Cutting Board Mounting Pin | 2 | 2 | 2 | 2 | 2 |
| 3 | -- | Hanging Shelf | 1 | 1 | 1 | 1 | 1 |
| 4/5(A) | 4232STSB | Shelf Bracket Set, 2/3-Well | 1 | 1 | -- | -- | -- |
| 4/5(B) | 4233STSB | Shelf Bracket Set, 4/5-Well | -- | -- | 1 | 1 | 1 |
| 6(A) | 423PESTGPL120 | Green Indicator Light, 120V | 2 | 3 | 4 | -- | -- |
| 6(B) | 423PESTGPL240 | Green Indicator Light, 240V | -- | -- | -- | 4 | 5 |
| 7(A) | 423PESTRPL120 | Red Indicator Light, 120V | 2 | 3 | 4 | -- | -- |
| 7(B) | 423PESTRPL240 | Red Indicator Light, 240V | -- | -- | -- | 4 | 5 |
| 8 | 423PESTKNOB | Control Knob | 2 | 3 | 4 | 4 | 5 |
| 9 | -- | Steam Table Body | 1 | 1 | 1 | 1 | 1 |
| 10(A) | 423PESTWSELA | Heating Element, Sealed Well, 120V | 2 | 3 | 4 | -- | -- |
| 10(B) | 423PESTWSELH | Heating Element, Sealed Well, 240V | -- | -- | -- | 4 | 5 |
| 11 | -- | Converter | 2 | 3 | 4 | 4 | 5 |
| 12(A) | 423PESTTHRMA | Thermostat, 120V | 2 | 3 | 4 | -- | -- |
| 12(B) | 423PESTTHRMH | Thermostat, 240V | -- | -- | -- | 4 | 5 |
| 13(A) | 423PEST515P | Power Cord, 2/3-Well | 1 | 1 | -- | -- | -- |
| 13(B) | 423PEST520P | Power Cord, 4-Well, 120V | -- | -- | 1 | -- | -- |
| 13(C) | 423PEST620P | Power Cord, 4/5-Well, 240V | -- | -- | -- | 1 | 1 |
| 14 | -- | Water Pipe | 2 | 3 | 4 | 4 | 5 |
| 15 | 423PESTWSVLV | Outlet Pipe Valve | 2 | 3 | 4 | 4 | 5 |
| 16 | -- | Undershelf | 1 | 1 | 1 | 1 | 1 |
| 17 | 423LEGALV512 | Leg - Adjustable Shelf Only | 4 | 4 | 4 | 4 | 4 |

Exploded Parts Diagram

423EST2WS, 423EST3WS, 423EST4WS500, 423EST4WS750, 423EST5WS



Sealed Well Enclosed Electric Steam Tables

423EST2WSPB, 423EST3WSPB, 423EST4WSPBA, 423EST4WSPBH, 423EST5WSPB

| KEY # | PART # | DESCRIPTION | QUANTITY PER MODEL # | | | | |
|--------|---------------|------------------------------------|----------------------|--------------|---------------|---------------|--------------|
| | | | 423EST-2WSPB | 423EST-3WSPB | 423EST-4WSPBA | 423EST-4WSPBH | 423EST-5WSPB |
| 1(A) | 423PST2CBD | Cutting Board, 2-Well | 1 | -- | -- | -- | -- |
| 1(B) | 423PST3CBD | Cutting Board, 3-Well | -- | 1 | -- | -- | -- |
| 1(C) | 423PST4CBD | Cutting Board, 4-Well | -- | -- | 1 | 1 | -- |
| 1(D) | 423PST5CBD | Cutting Board, 5-Well | -- | -- | -- | -- | 1 |
| 2 | 423PSTLOCPIN | Cutting Board Mounting Pin | 2 | 2 | 2 | 2 | 2 |
| 3 | -- | Hanging shelf | 1 | 1 | 1 | 1 | 1 |
| 4/5(A) | 4232STSB | Shelf Bracket Set, 2/3-Well | 1 | 1 | -- | -- | -- |
| 4/5(B) | 4233STSB | Shelf Bracket Set, 4/5-Well | -- | -- | 1 | 1 | 1 |
| 6(A) | 423PESTGPL120 | Green Indicator Light, 120V | 2 | 3 | 4 | -- | -- |
| 6(B) | 423PESTGPL240 | Green Indicator Light, 240V | -- | -- | -- | 4 | 5 |
| 7(A) | 423PESTRPL120 | Red Indicator Light, 120V | 2 | 3 | 4 | -- | -- |
| 7(B) | 423PESTRPL240 | Red Indicator Light, 240V | -- | -- | -- | 4 | 5 |
| 8 | 423PESTKNOB | Control Knob | 2 | 3 | 4 | 4 | 5 |
| 9 | -- | Steam Table Body | 1 | 1 | 1 | 1 | 1 |
| 10(A) | 423PESTWSELA | Heating Element, Sealed Well, 120V | 2 | 3 | 4 | -- | -- |
| 10(B) | 423PESTWSELH | Heating Element, Sealed Well, 240V | -- | -- | -- | 4 | 5 |
| 11 | -- | Converter | 2 | 3 | 4 | 4 | 5 |
| 12(A) | 423PESTTHRMA | Thermostat, 120V | 2 | 3 | 4 | -- | -- |
| 12(B) | 423PESTTHRMH | Thermostat, 240V | -- | -- | -- | 4 | 5 |
| 13(A) | 423PEST515P | Power Cord, 2/3-Well | 1 | 1 | -- | -- | -- |
| 13(B) | 423PEST520P | Power Cord, 4-Well, 120V | -- | -- | 1 | -- | -- |
| 13(C) | 423PEST620P | Power Cord, 4/5-Well, 240V | -- | -- | -- | 1 | 1 |
| 14 | -- | Water Pipe | 1 | 1 | 1 | 1 | 1 |
| 15 | 423PESTWSVLV | Outlet Pipe Valve | 1 | 1 | 1 | 1 | 1 |
| 16 | -- | Cord Protector | 1 | 1 | 1 | 1 | 1 |
| 17 | -- | Left Side Plate | 1 | 1 | 1 | 1 | 1 |
| 18 | -- | Back Plate | 1 | 1 | 1 | 1 | 1 |
| 19 | -- | Right Side Plate | 1 | 1 | 1 | 1 | 1 |
| 20 | -- | Bottom Plate | 1 | 1 | 1 | 1 | 1 |
| 21 | -- | Foot | 4 | 4 | 4 | 4 | 4 |

Exploded Parts Diagram

423EST2WSPB, 423EST3WSPB, 423EST4WSPBA, 423EST4WSPBH, 423EST5WSPB

