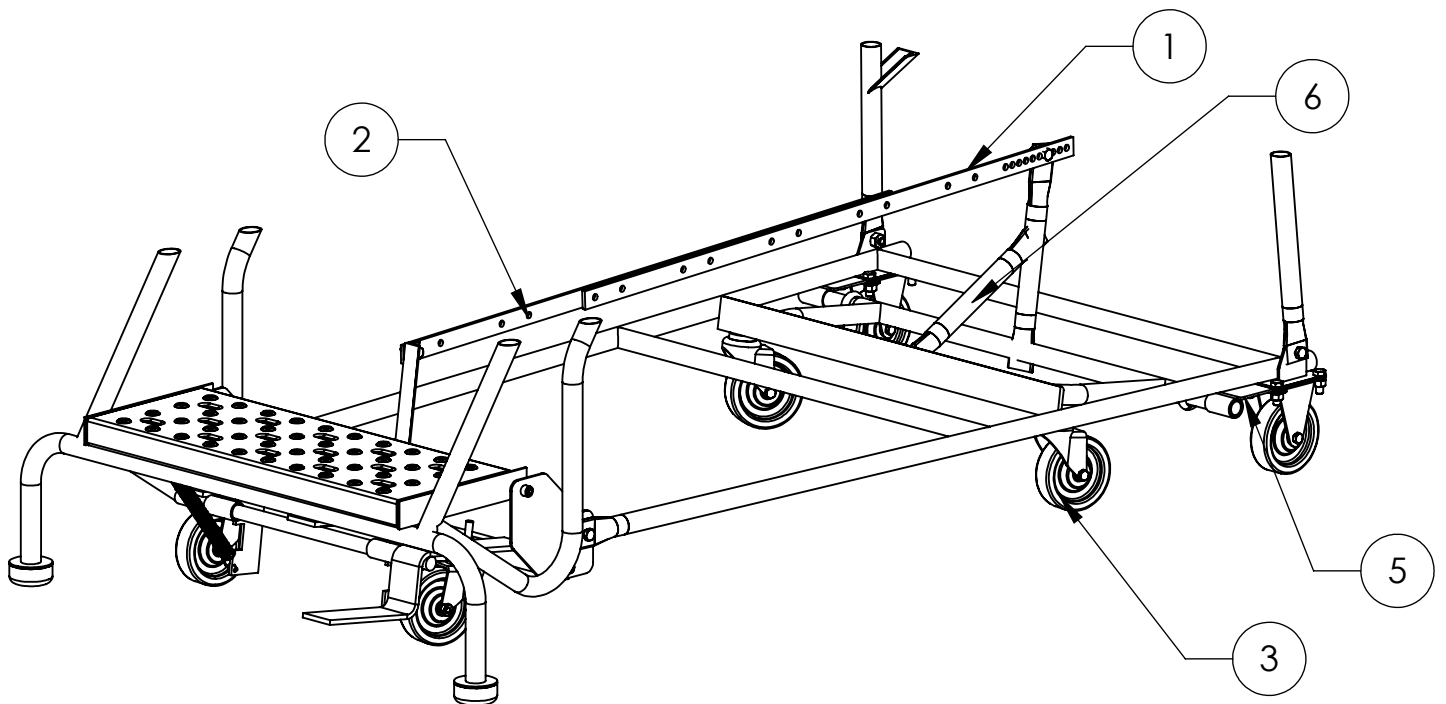


-DESIGN

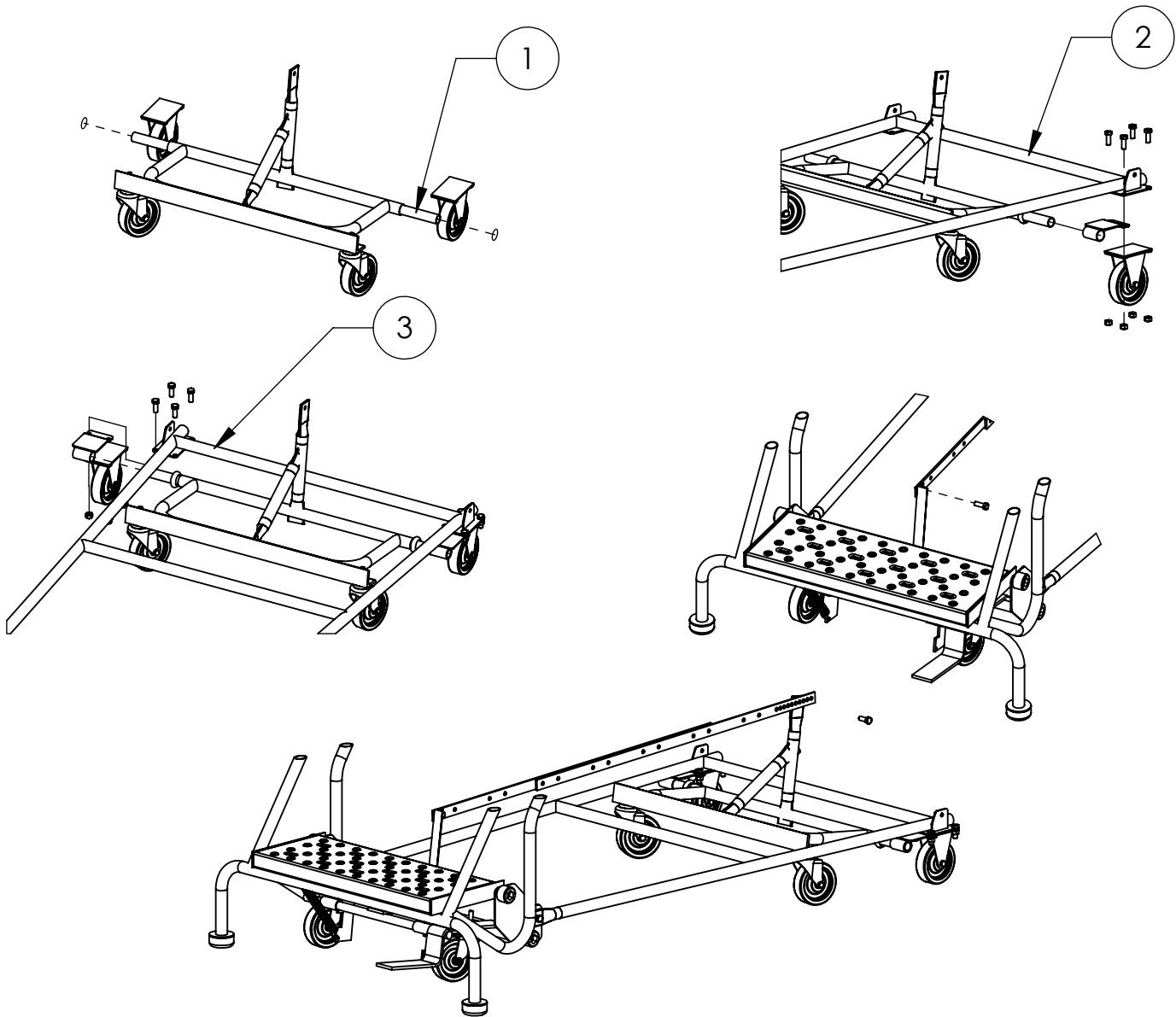
CONFIGURABLE PRODUCTS

All Directional Kit Instructions



ITEM# 4 NOT SHOWN

ITEM	DESCRIPTION	QTY.
1	CASTER ADJUSTER STRAP	1
2	CASTER ADJUSTER STRAP EXTENSION	4
3	SWIVEL CASTERS 4"	2
4	PIVOT BRACKET	2
5	FASTENER PACK	1
6	SWIVEL CASTER WHEEL ASSEMBLY	1



Remove or locate the swivel caster assembly kit, adjuster straps and extensions, and fasteners shipped with the ladder.

1. Attach one rigid caster and one pivot bracket to ladder bottom assembly.
2. Slide caster wheel assembly into pivot bracket, attach remaining rigid caster, and pivot bracket to ladder bottom assembly.
3. Attach caster adjuster strap extension to step lock mechanism.
4. Attach the caster adjuster strap, overlapping as shown above, to the swivel caster wheel assembly using the hole in the center caster adjuster strap closest to the hole on the swivel caster wheel assembly and attach swivel casters to caster assembly.

DO NOT OVER TIGHTEN FASTENER.

5. Test ladder by stepping on pedal. The swivel caster wheel assembly should be supporting the rear of the ladder and you should be able to spin the ladder about the swivel caster wheels.
6. If the swivel caster assembly wheels do not support the rear of the ladder, fasten the center caster adjuster rod to the swivel caster wheel assembly using a hole that will lower the wheels of the swivel wheel caster assembly.

DO NOT OVER TIGHTEN FASTENERS. THE SWIVEL CASTER ASSEMBLY WILL NOT WORK PROPERLY IF THESE BOLTS ARE OVER TIGHTENED.