



PARTS MANUAL



DRAWER WARMERS

Models: 423WDNFS1, 423WDNFS2, 423WDNFS3, 423WDNBI1, 423WDNBI2, 423WDSBI1, 423WDSBI2, 423WDSFS1, 423WDSFS2, 423WDSFS3, 423WDSFSD1, 423WDSFSD2, 423WDSFSD3, 423WDSFSD3MK, 423WDSFS3MK, 423WDSBI3K, 423WDNFS3MK, 423WDNBI3K

TABLE OF CONTENTS

Digital Parts Diagram 3-4

Standard Parts Diagram 5-6

Standard Built-Ins Parts Diagram 7-8

Narrow Parts Diagram 9-10

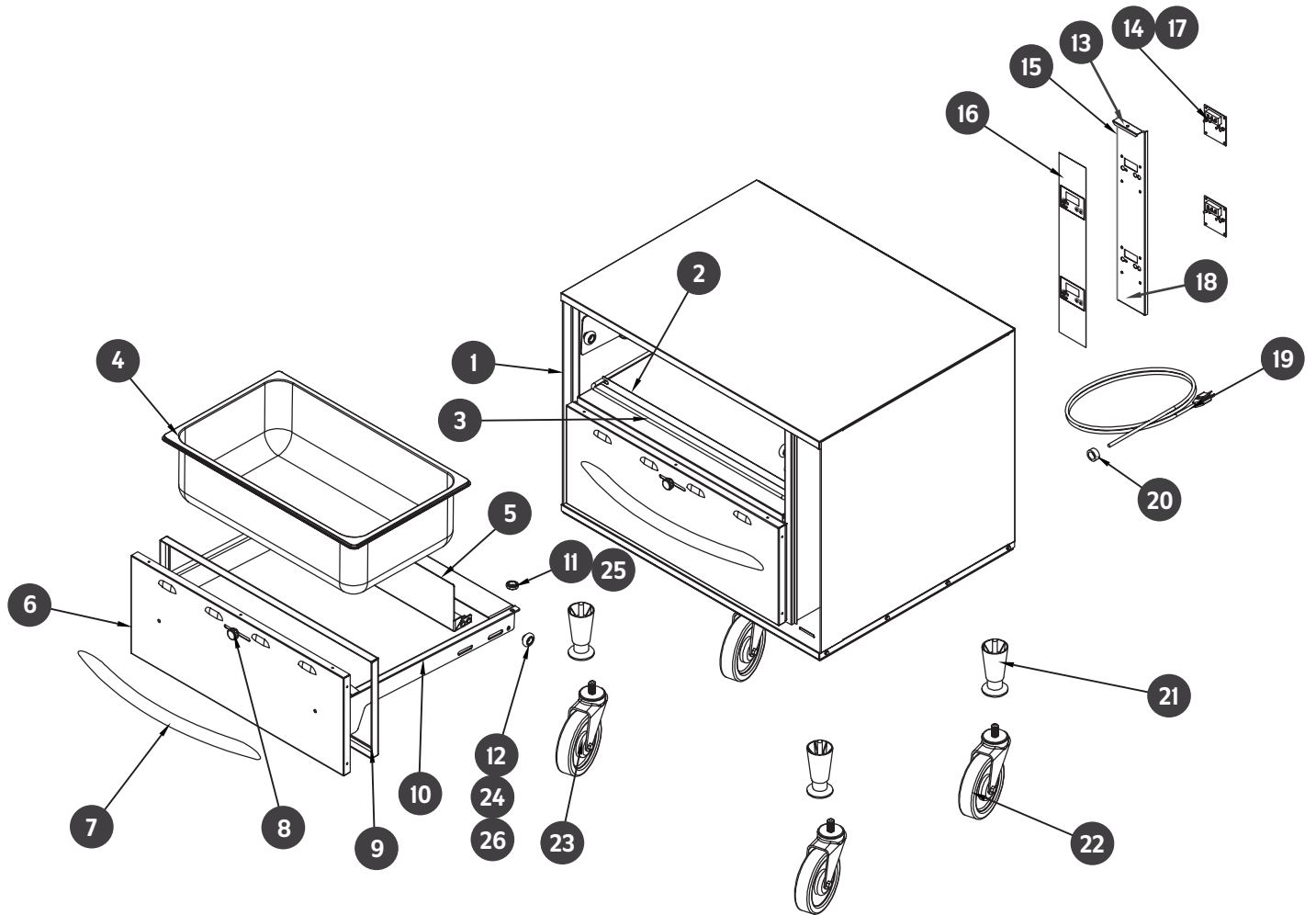
Narrow Built-Ins Parts Diagram 11-12



CONFORMS TO UL STD. 197
CONFORMS TO NSF/ANSI STD. 4

DIGITAL PARTS DIAGRAM

423WDSFSD1, 423WDSFSD2, 423WDSFSD3, 423WDSFSD3MK



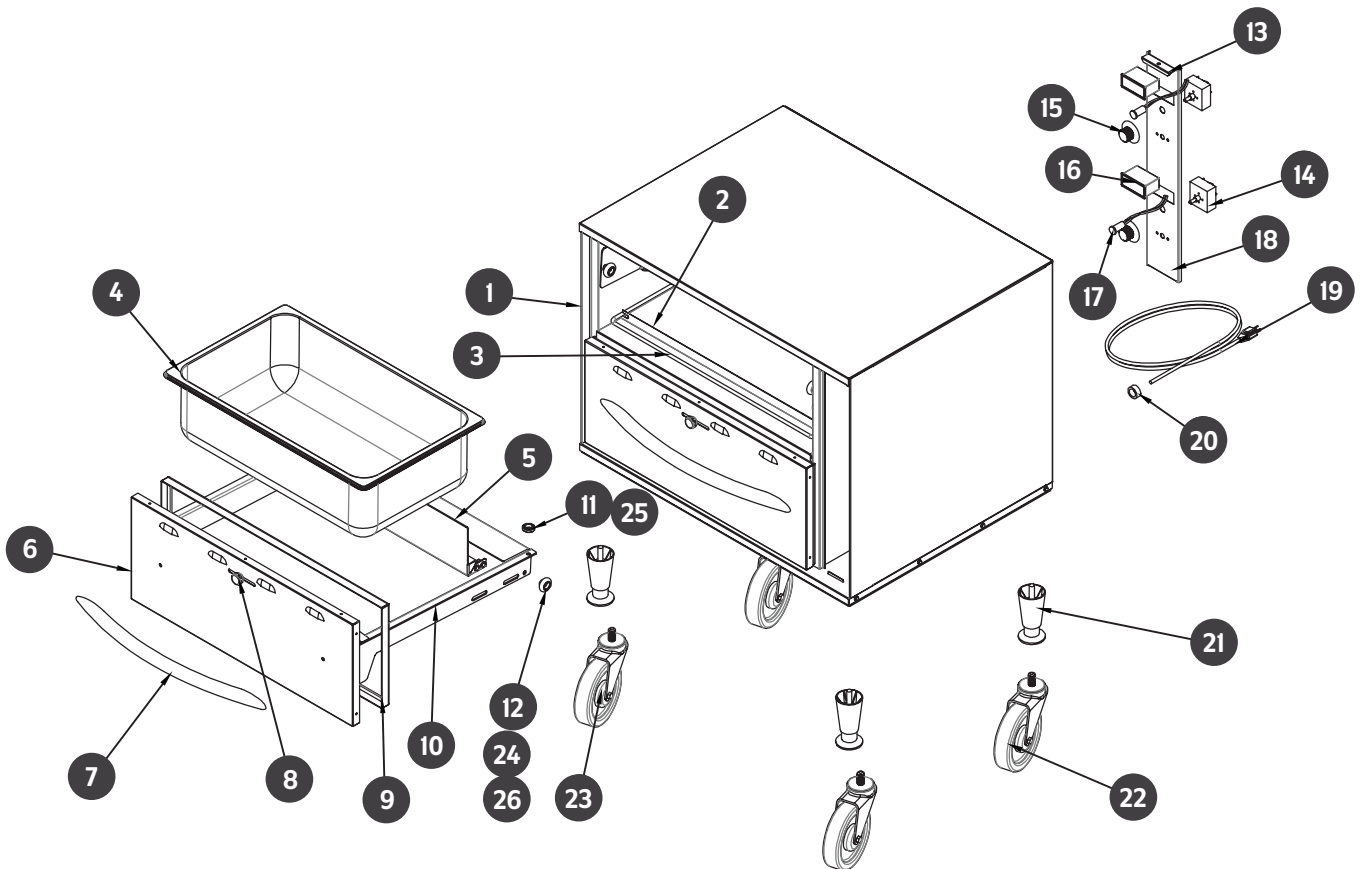
DIGITAL PARTS DIAGRAM KEY

423WDSFSD1, 423WDSFSD2, 423WDSFSD3, 423WDSFSD3MK

Diagram Key	Description	Item #
1	Body Assembly	-
2	Element Bracket	-
3	Heating Element	423WDSP3
4	Pan	-
5	Center Pan Support Assembly	-
6	Drawer Face Assembly	-
7	Drawer Handle	423WDSP7
8	Drawer Vent Knob	423WDP8
9	Gasket	423WDSP9
10	Drawer Inner Frame Weldment	-
11	Guard Bearing	423WDP11
12	Slide Bearing	423WDP12
13	Control Panel Bracket	-
14	Thermostat PCB	423WDP23
15	Control Panel	-
16	Control Panel Label	-
17	Screw M3. 5x6	-
18	Lower Control Panel	-
19	Cord & Plug NEMA (5-15)	423WDP19
20	Cable Bushing	-
21	Leg	423WDP21
22	Caster with Brake (Option)	423WDP22
23	Caster (Option)	423WDCASTER
24	Screw 1/4 - 20 x 1.25"	-
25	Screw 1/4 - 20 x 0.75"	-
26	Nylon Lock Nut 1/4 - 20"	-

STANDARD PARTS DIAGRAM

423WDSFS1, 423WDSFS2, 423WDSFS3, 423WDSFS3MK



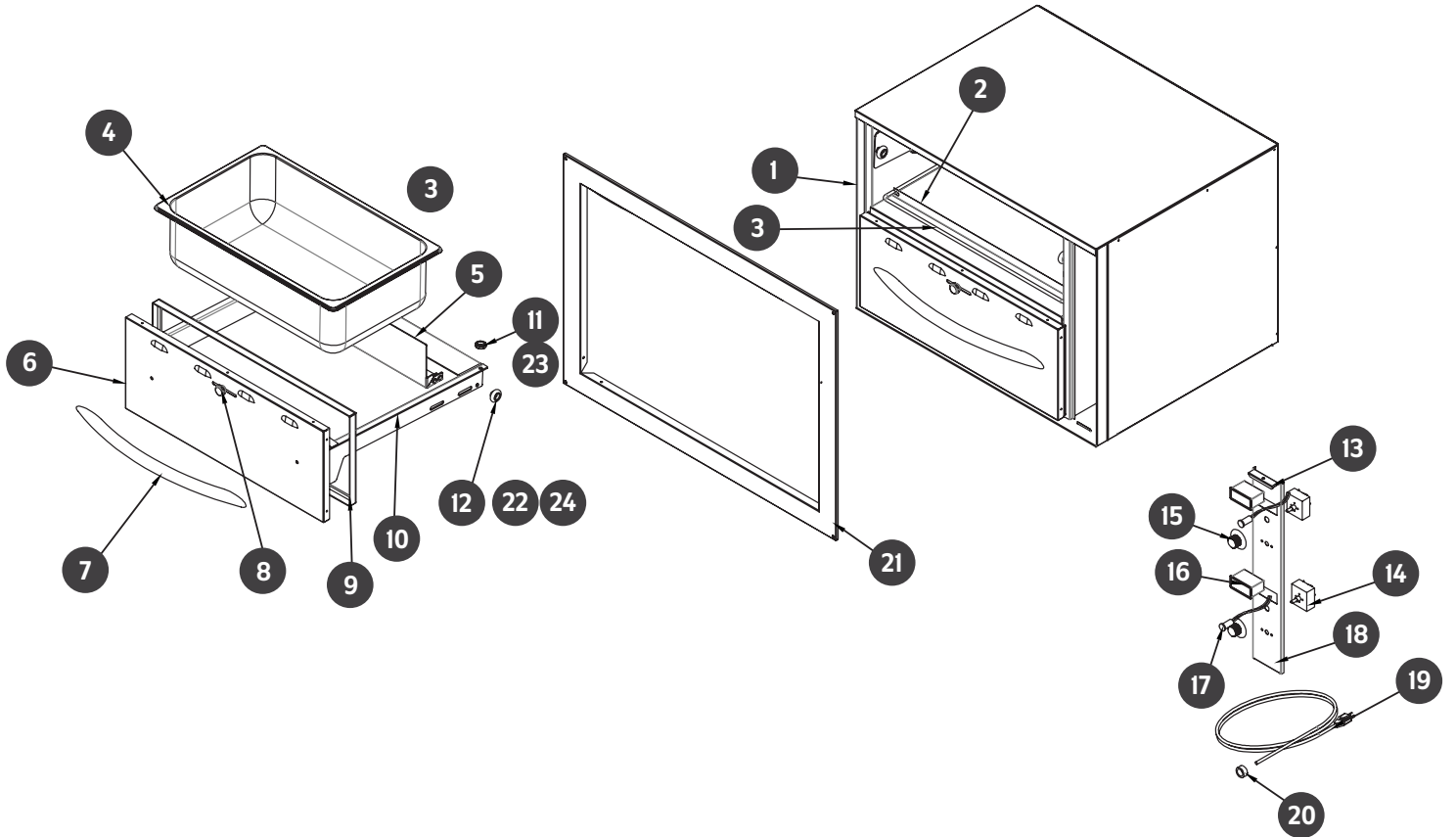
STANDARDS PARTS DIAGRAM KEY

423WDSFS1, 423WDSFS2, 423WDSFS3, 423WDSFS3MK

Diagram Key	Description	Item #
1	Body Assembly	-
2	Element Bracket	-
3	Heating Element	423WDSP3
4	Pan	-
5	Center Pan Support Assembly	-
6	Drawer Face Assembly	-
7	Drawer Handle	423WDSP7
8	Drawer Vent Knob	423WDP8
9	Gasket	423WDSP9
10	Drawer Inner Frame Weldment	-
11	Guard Bearing	423WDP11
12	Slide Bearing	423WDP12
13	Control Panel Bracket	-
14	Thermostat 250V 105°	423WDP14
15	Knob	423WDP15
16	Mechanical Temperature Indicator (0–120°)	423WDP16
17	Power Indicator Light	423WDP17
18	Control Panel	-
19	Cord & Plug NEMA (5-15)	423WDP19
20	Cable Bushing	-
21	Leg	423WDP21
22	Caster with Brake (Optional)	423WDP22
23	5" Caster (Optional)	423WDCASTER
24	Screw 1/4 - 20 x 1.25"	-
25	Screw 1/4 - 20 x 0.75"	-
26	Nylon Lock Nut 1/4 - 20"	-

STANDARD BUILT-IN PARTS DIAGRAM

423WDSBI1, 423WDSBI2, 423WDSBI3K



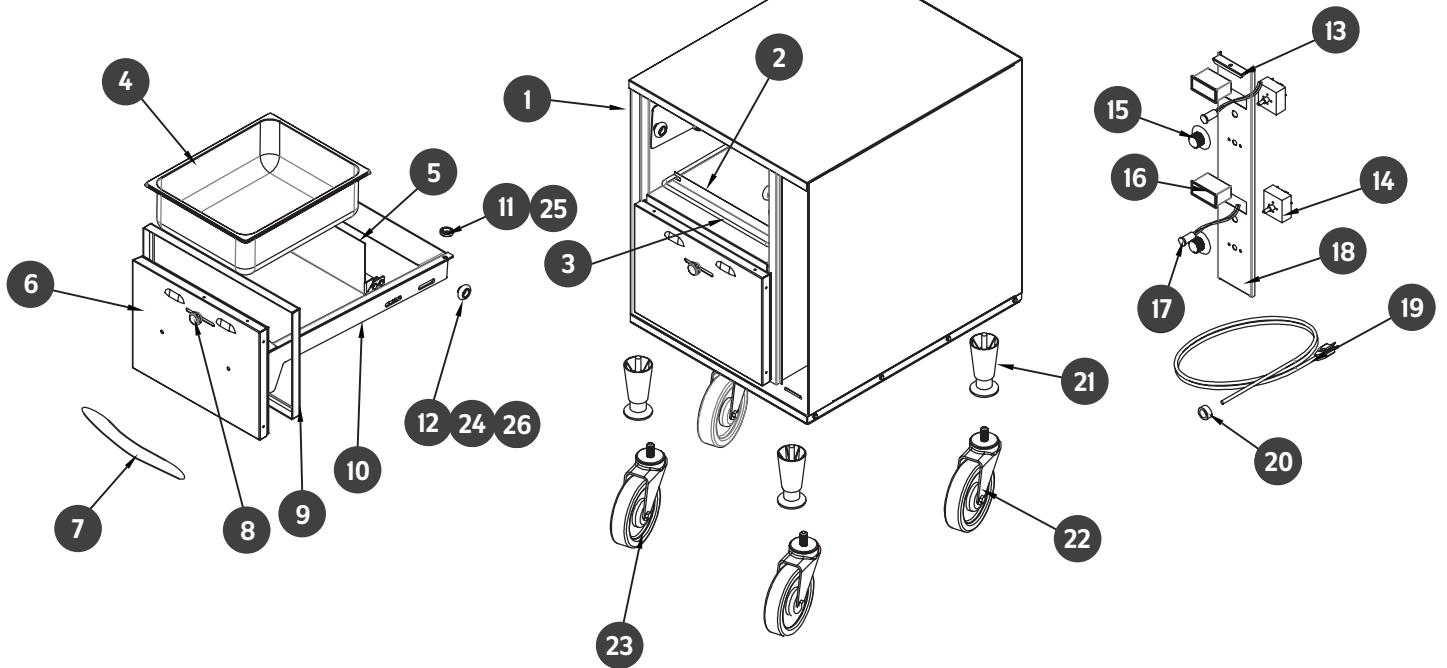
STANDARD BUILT-IN PARTS DIAGRAM KEY

423WDSBI1, 423WDSBI2, 423WDSBI3K

Diagram Key	Description	Item #
1	Body Assembly	-
2	Element Bracket	-
3	Heating Element	423WDSP3
4	Pan	-
5	Center Pan Support Assembly	-
6	Drawer Face Assembly	-
7	Drawer Handle	423WDSP7
8	Drawer Vent Knob	423WDP8
9	Gasket	423WDSP9
10	Drawer Inner Frame Weldment	-
11	Guard Bearing	423WDP11
12	Slide Bearing	423WDP12
13	Control Panel Bracket	-
14	Thermostat 250V 105°	423WDP14
15	Knob	423WDP15
16	Mechanical Temperature Indicator (0–120°)	423WDP16
17	Power Indicator Light	423WDP17
18	Control Panel	-
19	Cord & Plug NEMA (5-15)	423WDP19
20	Cable Bushing	-
21a	Front Trim Plate - 1 Drawer	423DWSPT1
21b	Front Trim Plate - 2 Drawer	423DWSPT2
21c	Front Trim Plate - 3 Drawer	423DWSPT3
22	Screw	-
23	Screw	-
24	Nylon Lock Nut 1/4 - 20"	-

NARROW PARTS DIAGRAM

423WDNFS1, 423WDNFS2, 423WDNFS3, 423WDNFS3MK



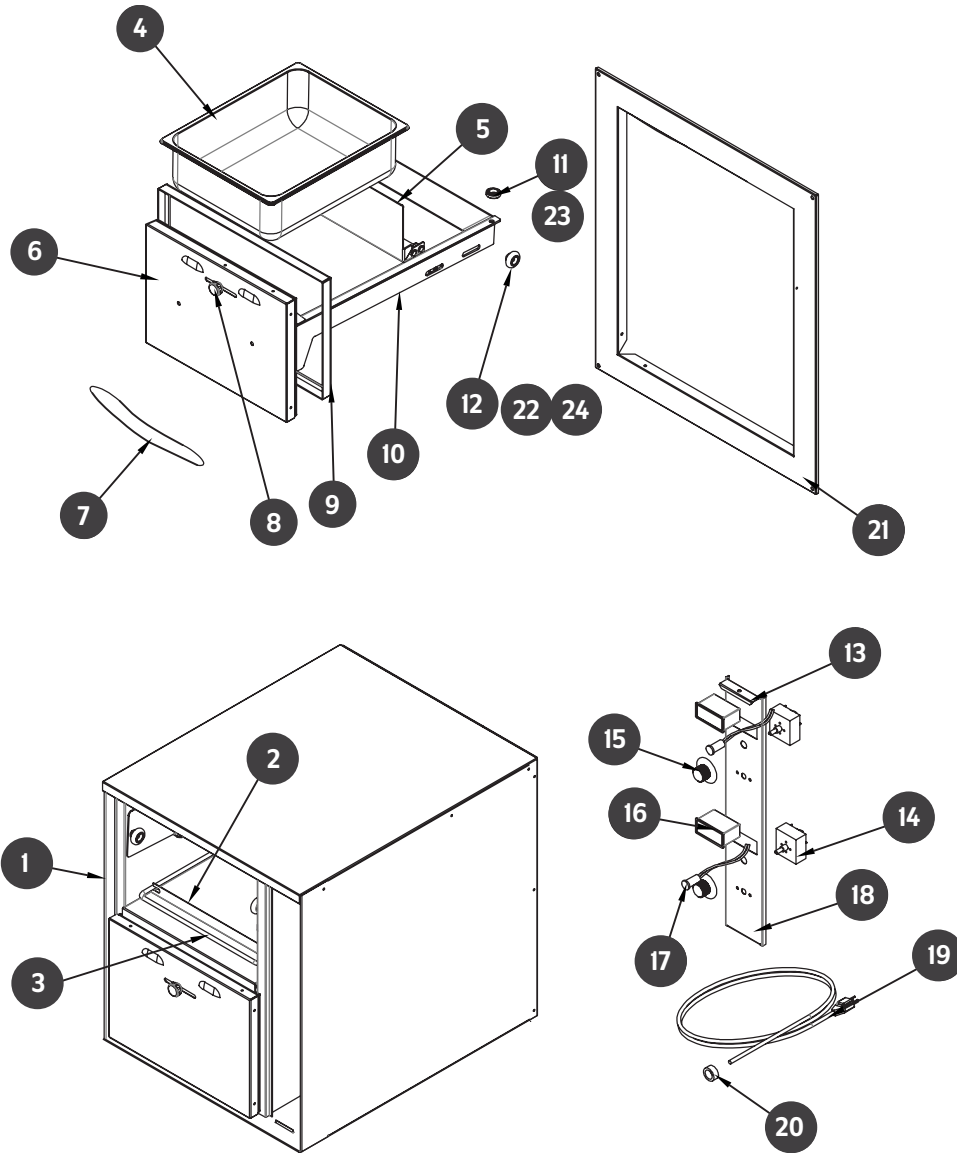
NARROW PARTS DIAGRAM KEY

423WDNFS1, 423WDNFS2, 423WDNFS3, 423WDNFS3MK

Diagram Key	Description	Item #
1	Body Assembly	-
2	Element Bracket	-
3	Heating Element	423WDNP3
4	Pan	-
5	Center Pan Support Assembly	-
6	Drawer Face Assembly	-
7	Drawer Handle	423WDNP7
8	Drawer Vent Knob	423WDP8
9	Gasket	423WDNP9
10	Drawer Inner Frame Weldment	-
11	Guard Bearing	423WDP11
12	Slide Bearing	423WDP12
13	Control Panel Bracket	-
14	Thermostat 250V 105°	423WDP14
15	Knob	423WDP15
16	Mechanical Temperature Indicator (0–120°)	423WDP16
17	Power Indicator Light	423WDP17
18	Control Panel	-
19	Cord & Plug NEMA (5-15)	423WDP19
20	Cable Bushing	-
21	Leg	423WDP21
22	Caster with Brake (Optional)	423WDP22
23	5" Caster (Optional)	423WDCASTER
24	Screw 1/4 - 20 x 1.25"	-
25	Screw 1/4 - 20 x 0.75"	-
26	Nylon Lock Nut 1/4 - 20"	-

NARROW BUILT-IN PARTS DIAGRAM

423WDNB11, 423WDNB12, 423WDNB13K



NARROW BUILT-IN PARTS DIAGRAM KEY

423WDNB11, 423WDNB12, 423WDNB13K

Diagram Key	Description	Item #
1	Body Assembly	-
2	Element Bracket	-
3	Heating Element	423WDNP3
4	Pan	-
5	Center Pan Support Assembly	-
6	Drawer Face Assembly	-
7	Drawer Handle	423WDNP7
8	Drawer Vent Knob	423WDP8
9	Gasket	423WDNP9
10	Drawer Inner Frame Weldment	-
11	Guard Bearing	423WDP11
12	Slide Bearing	423WDP12
13	Control Panel Bracket	-
14	Thermostat 250V 105°	423WDP14
15	Knob	423WDP15
16	Mechanical Temperature Indicator (0–120°)	423WDP16
17	Power Indicator Light	423WDP17
18	Control Panel	-
19	Cord & Plug NEMA (5-15)	423WDP19
20	Cable Bushing	-
21a	Front Trim Plate - 1 Drawer	423DWNPT1
21b	Front Trim Plate - 2 Drawer	423DWNPT2
21c	Front Trim Plate - 3 Drawer	423DWNPT3
22	Screw	-
23	Screw	-
24	Nylon Lock Nut 1/4 - 20"	-