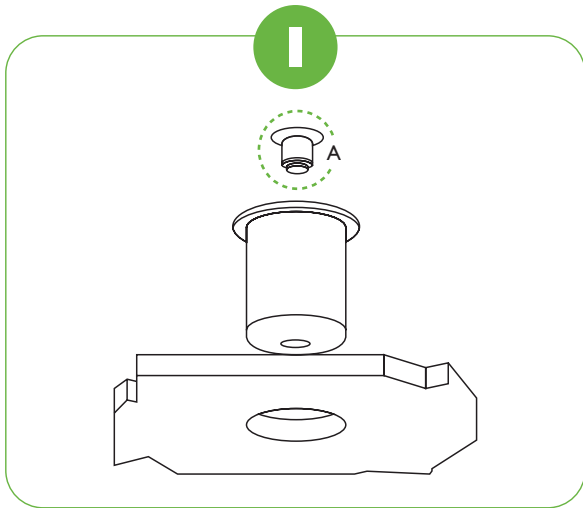
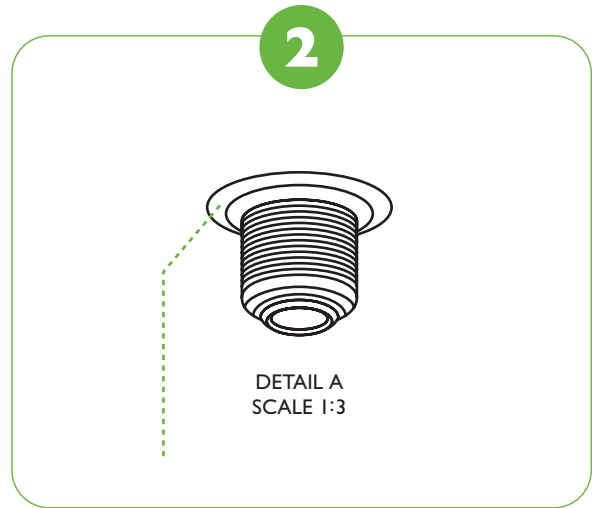


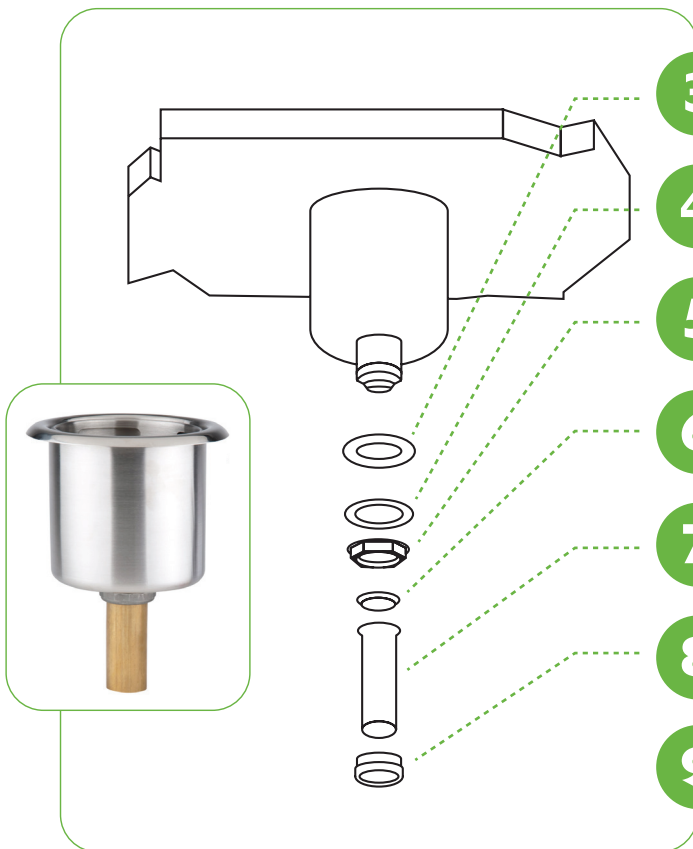
DIPPERWELL BOWL ASSEMBLY INSTRUCTIONS



Place Larger of (2) Bowls through Counter. Opening size to be \varnothing 5 3/4". Apply Plumber's Putty between Bowl & Countertop.



Add 1/4" String of Plumber's Putty to Underside of Drain Grid and press firmly around drain face. Place Drain Grid into bottom of Bowl and press firmly to seal against Bowl.



- 3 Place Rubber Washer against bottom of Bowl.
- 4 Place Fiber Washer against Rubber Washer.
- 5 Screw Lock Nut onto Threaded Drain Grid to hold Washers in place.
- 6 Place Nylon Bushing into Brass Tailpiece.
- 7 Place Bushing & Tailpiece firmly against Drain Grid.
- 8 Slide Compression Nut over Brass Tailpiece & tighten up to Drain Grid.
- 9 Place Smaller Overflow Bowl (not shown) into Larger Bowl.