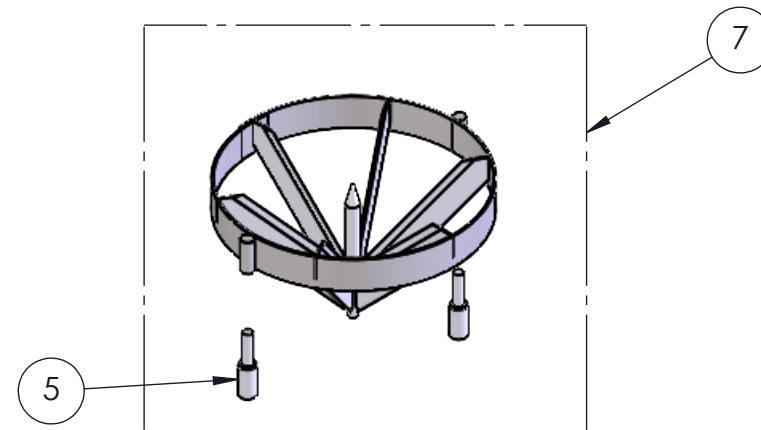
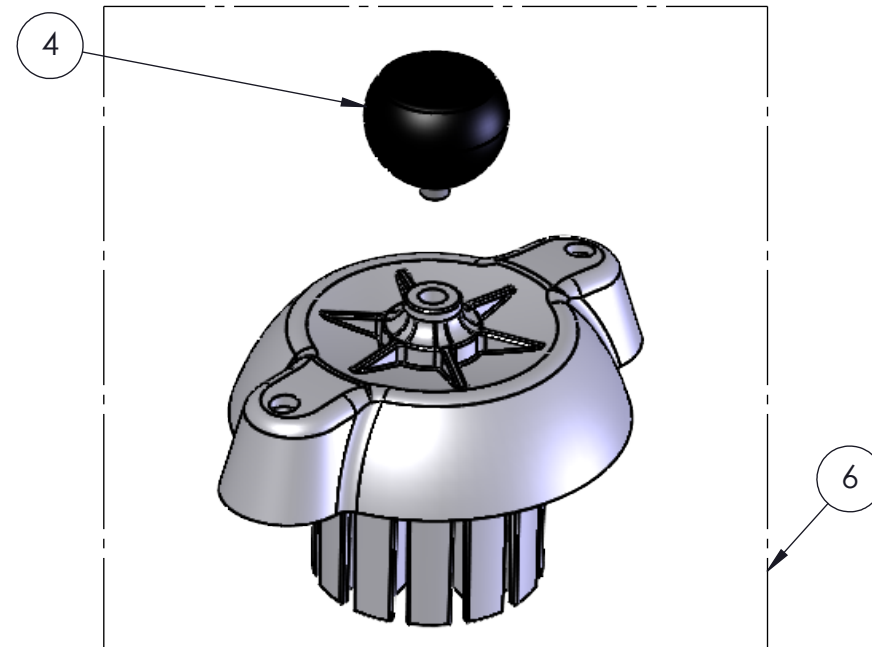
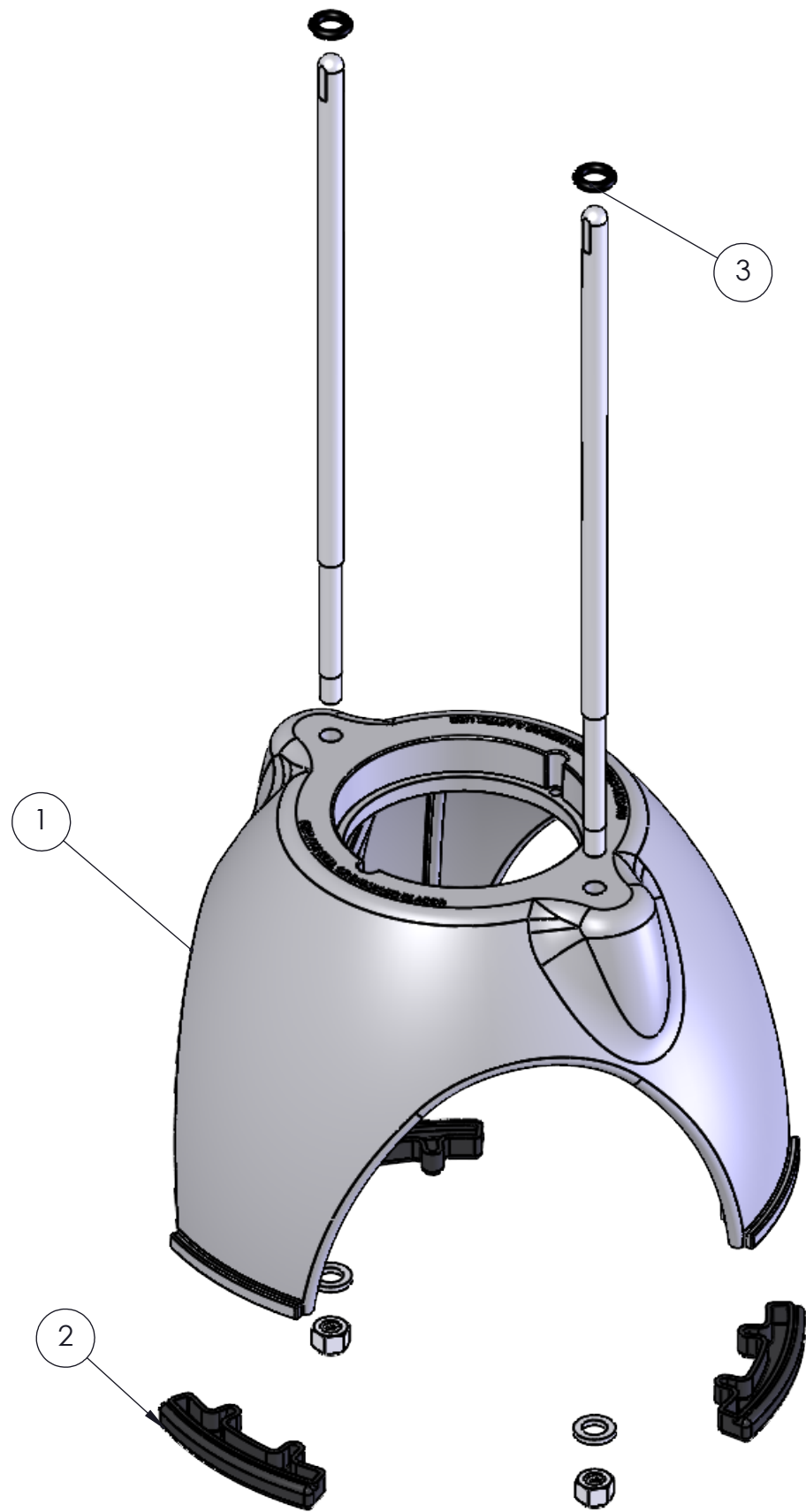


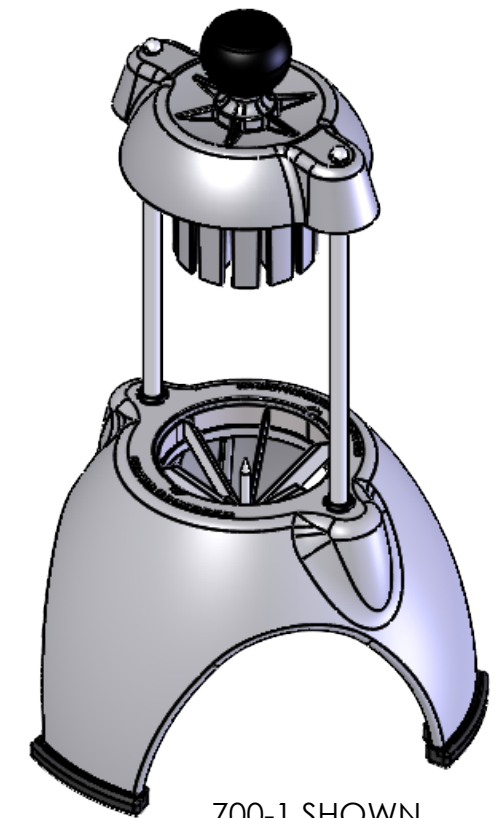


Wedgemaster II™ - Manual Food Processor (For Item Numbers: 700-1, 700-4, 704-4)



Screws are included in Wedge section assemblies

Callout	Spare part	Part No.	Description
1	379109	2503247-1	Base Assy
2	379103	2503248	Foot Cover
3	305	855528	Oring Parker Nitril
4	0304	2502144	Knob Ball
5	702	350287-1	#6-32 Thumb Screw 18-8 SS
Pusher Assy	379108	10001430-1	4 and 8 Section
	379107	10001431-1	6 and 12 Section
Blade Kit	704	9004839	4 section Wedge Blade
	706	9004841	6 Section Wedge Blade
	708	9004842	8 Section Wedge Blade
	712	9004844	12 Section Wedge Blade



700-1 SHOWN
SCALE 1:4