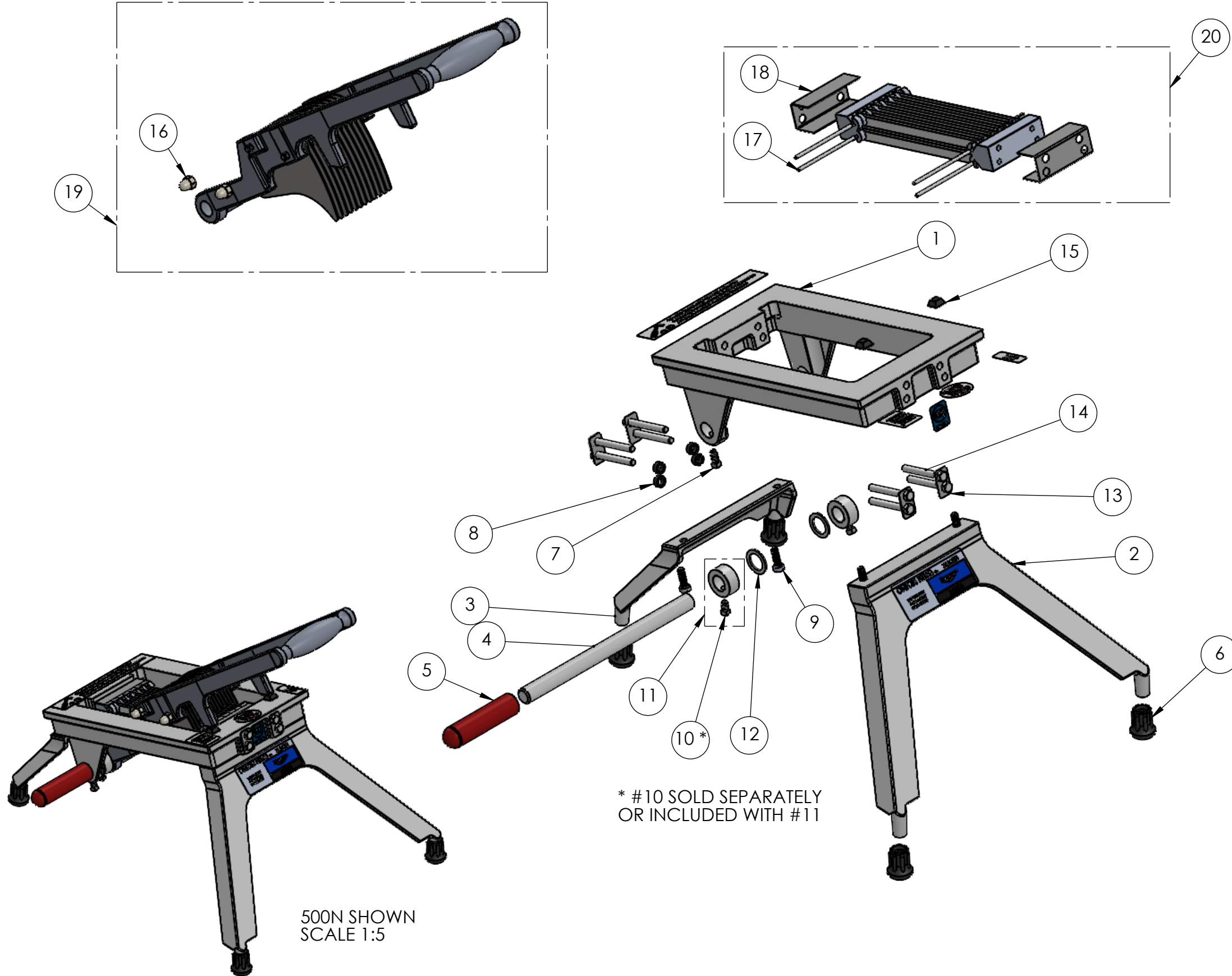




Onion King™ - Manual Food Processor (For Item Numbers: 500N, 501N, 502N 503N)



Callout	Spare part	Description
1	554	Base Frame
2	525	Legs, Front
3	526	Legs, Back
4	556	Shaft, Pivot Rod
5	555	Grip O.K. Vinyl
6	303	Foot, Rubber
7	5118	Screw, SqSSS 1/4-20 x 1/2
8	0655	Seal, Rubber
9	414	Screw, FH 1/4-20 x 3/4
10	4422R	Screw, Sq Head 1/4-20 x 3/8
11	558	Collar Assy
12	560	Washer, Nylon
13	5116	Screw, HHMSS 1/4-20 x 2"
14	5117	Plate, bearing
15	506	Bump-on, Rubber
16	519	Nut- Acorn 1/4
17	355318	Blade Pin
18 Shield	5121	Single Shield
	5120	Double Shield
	504	3/16 Cut
	505	1/4 Cut
19 Pusher Assy	515	3/8 Cut
	507	1/2 Cut
	509	3/16 Cut - Double stack
20 Blade Kit	511	1/4 Cut - Double stack
	510	3/8 Cut - Single stack
	512	1/2 Cut - Single stack