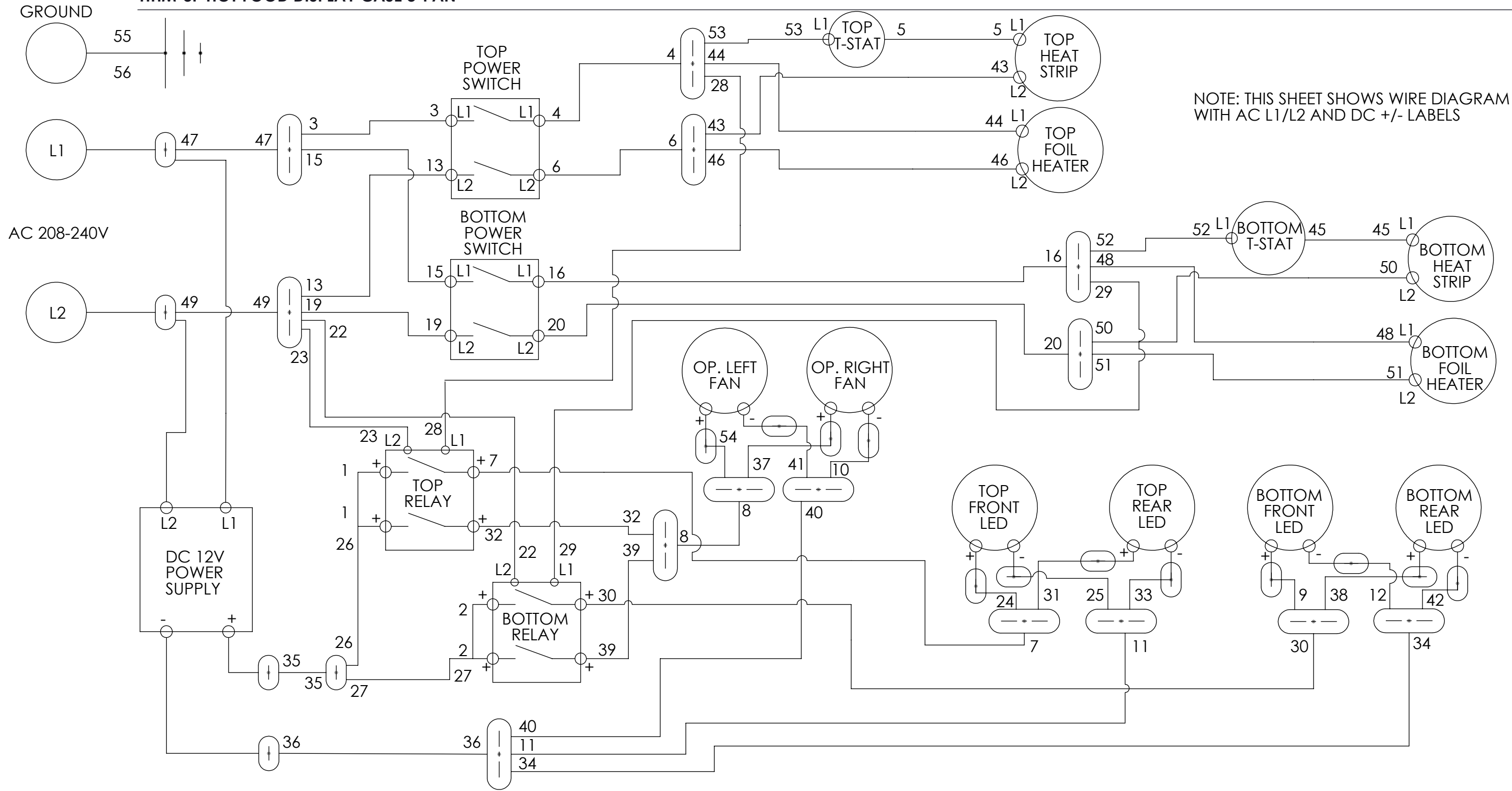
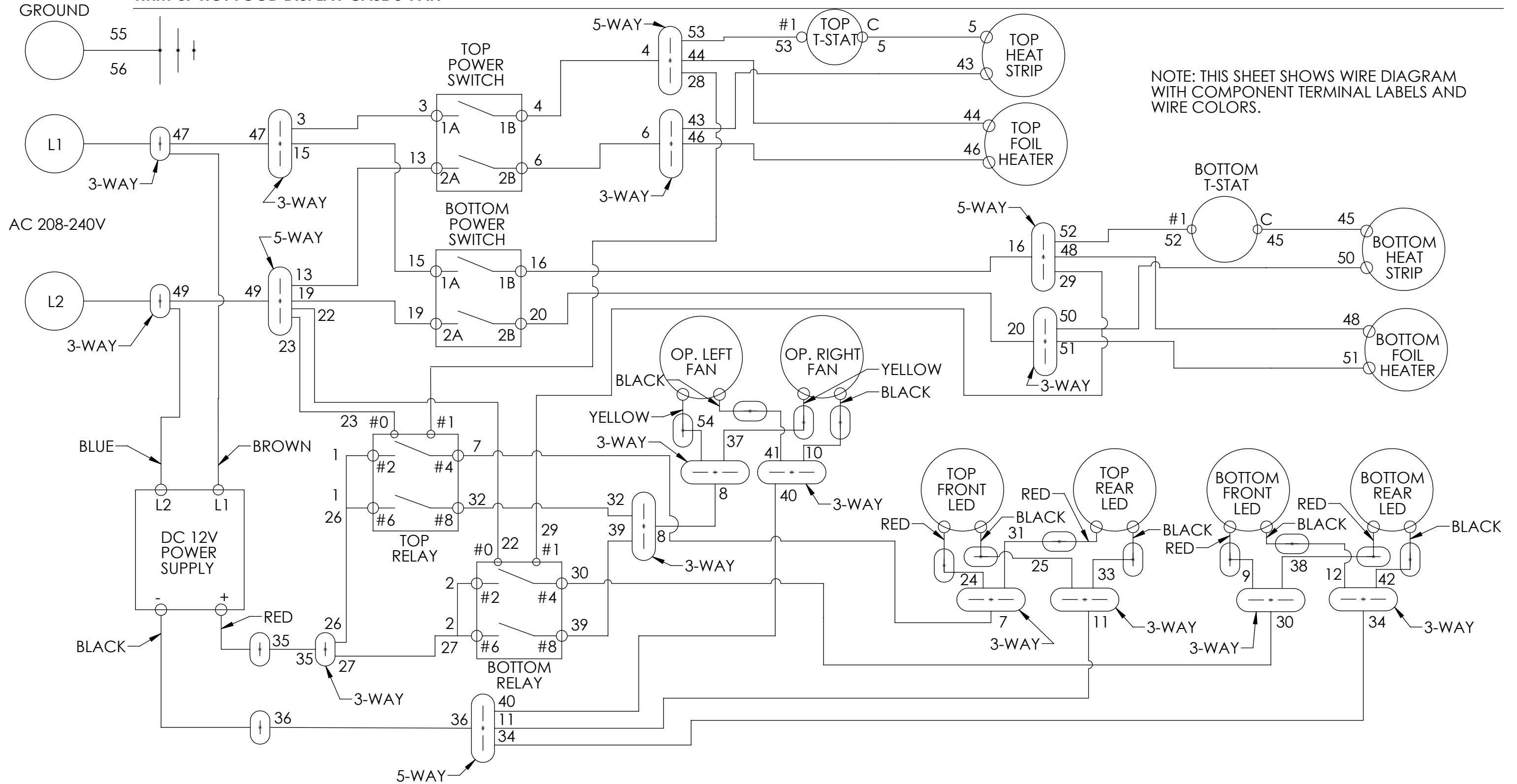


HHM-3P HOT FOOD DISPLAY CASE 3-PAN



NOTE: THIS SHEET SHOWS WIRE DIAGRAM WITH AC L1/L2 AND DC +/- LABELS

HHM-3P HOT FOOD DISPLAY CASE 3-PAN



NOTE: THIS SHEET SHOWS WIRE DIAGRAM WITH COMPONENT TERMINAL LABELS AND WIRE COLORS.

NOTE: ALL UN-LABELLED WAGO CONNECTORS ON THIS SHEET ARE 2-WAY.