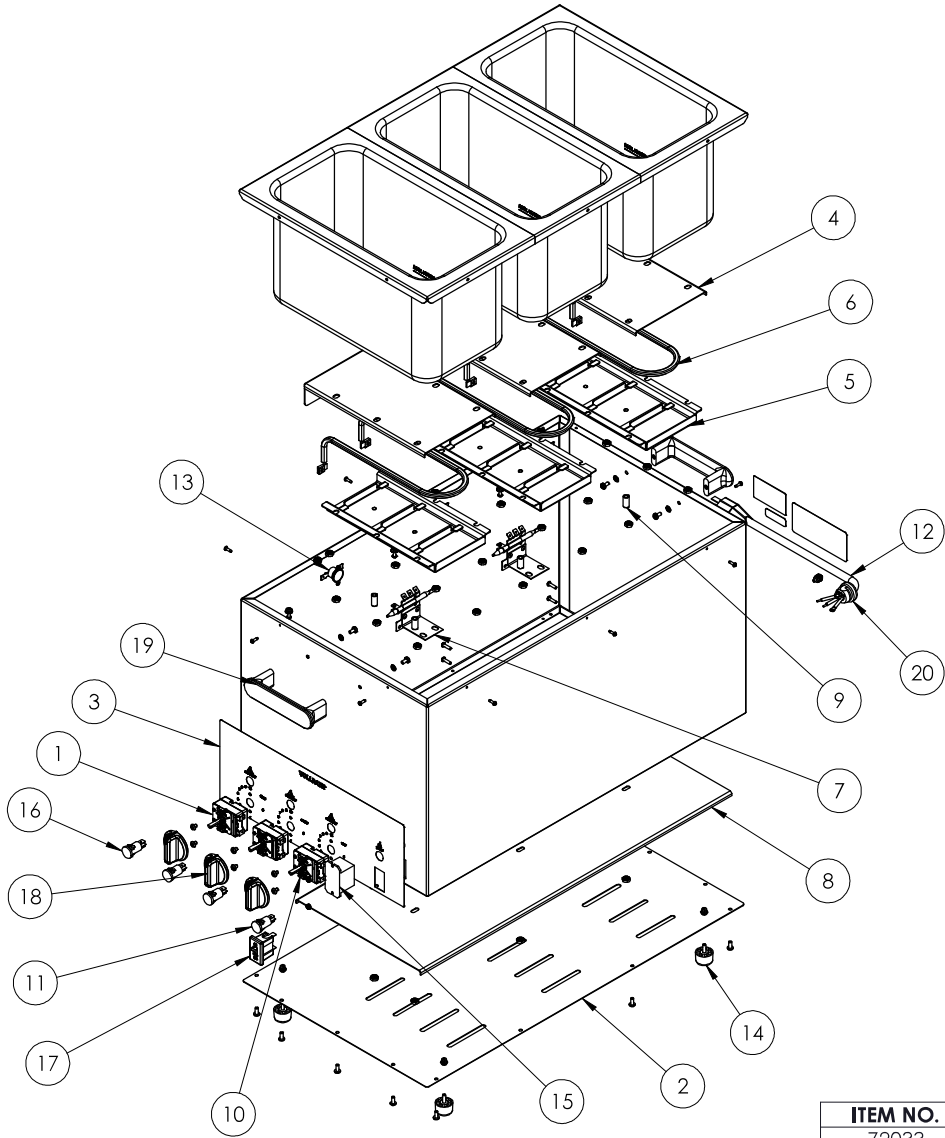


VOLLRATH 3-WELL RETHERMALIZER



ITEM NO.	PART NUMBER	DESCRIPTION	QTY.
1	355162-1	REG THERMOSTAT FSTB 390MM 121C	2
2	356491-2	3-WELL BOTTOM PANEL SPARE	1
3	356480-1	3-WELL OVERLAY	1
4	356482-2	3-WELL HEAT SINK	3
5	356483-2	3-WELL ELEMENT COVER	3
6	356486-1	HEATING ELEMENT - 120V, 400W	3
7	356492-2	3-WELL T-STAT BRACKET SPARE	3
8	356529-2	3-WELL HEAT SHIELD	1
9	356530-1	#10 ID X 5/16 OD X 5/8 SPACER	6
10	356531-1	REG THERMOSTAT FSTB 870MM 121C	1
11	17559-1	PILOT LIGHT - RED 125V	1
12	17847-1	CORDSET, 14AWG, SJTOW	1
13	17950-1	THERMOSTAT, HIGH LIMIT	3
14	23754	BULLET FOOT, .625"	4
15	25357-1	RELAY POWER	1
16	1755901-1	PILOT LIGHT-BLUE 125V	3
17	2515840	POWER SWITCH SPST 125V NON-ILL	1
18	351788-06-1	CONTROL KNOB	3
19	351802-02-1	NIGHT COVER HANDLE	2
20	B400320	14 GA STRAIGHT STRAIN RELIEF	1
21	356522-1	3-WELL WIRING HARNESS	1
22	356528-1	3-WELL RETHERM OPS MANUAL	1
23	356484-2	INSULATION - 23.5"	3
24	356488-2	INSULATION - 12.0"	6

NOTE: ITEMS 21 THRU 24 ARE NOT SHOWN IN THE EXPLODED VIEW.

ITEM NO.	MODEL NO.	DESCRIPTION	VOLTS	WATTS	AMPS	PLUG
72033	33W-120	3-WELL RETHERMALIZER	120	1200	10.0	5-15P