



# HOSHIZAKI

---

## Parts List

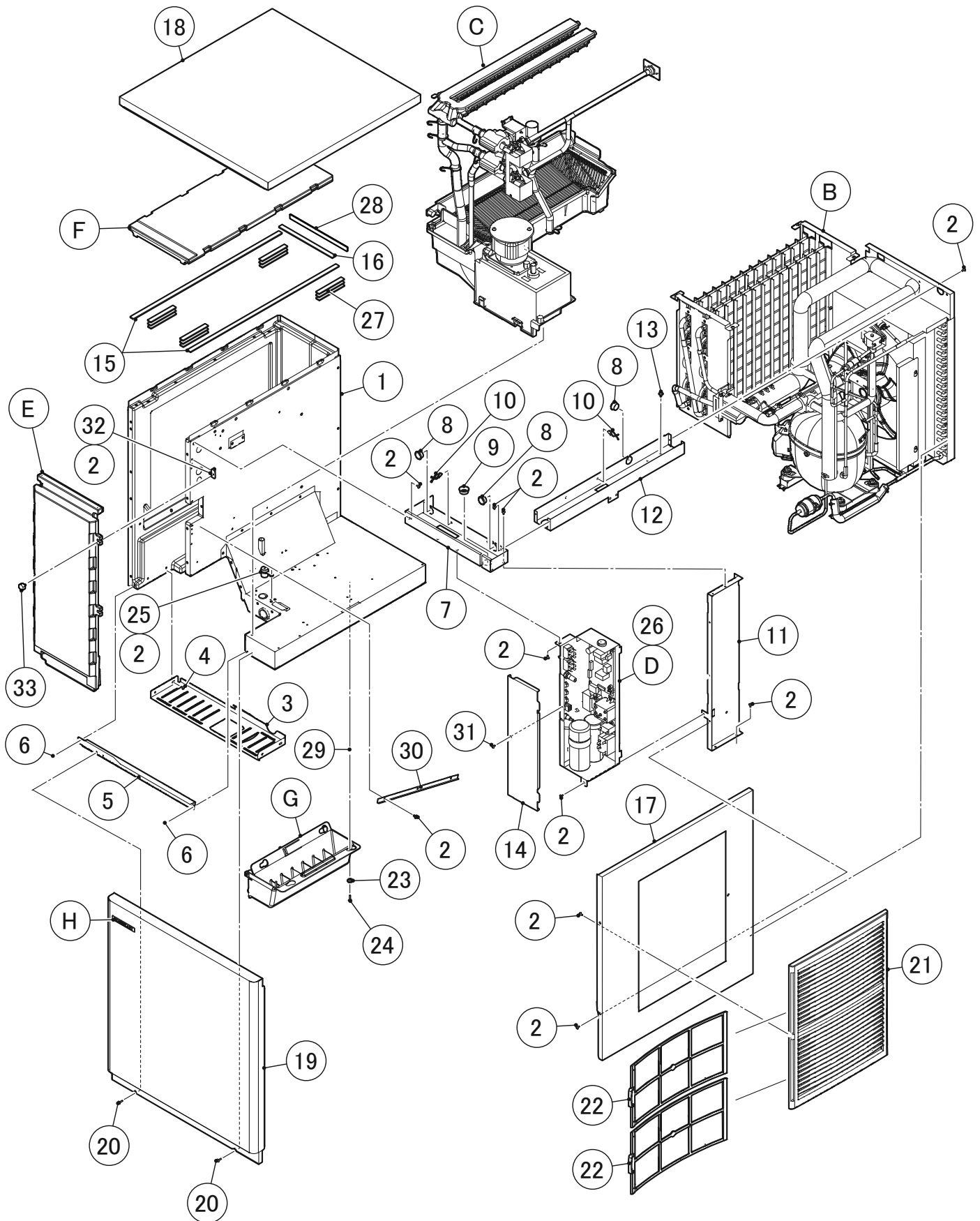
Modular Crescent Cuber

Model  
KMD-410MAJ



[hoshizakiamerica.com](http://hoshizakiamerica.com)

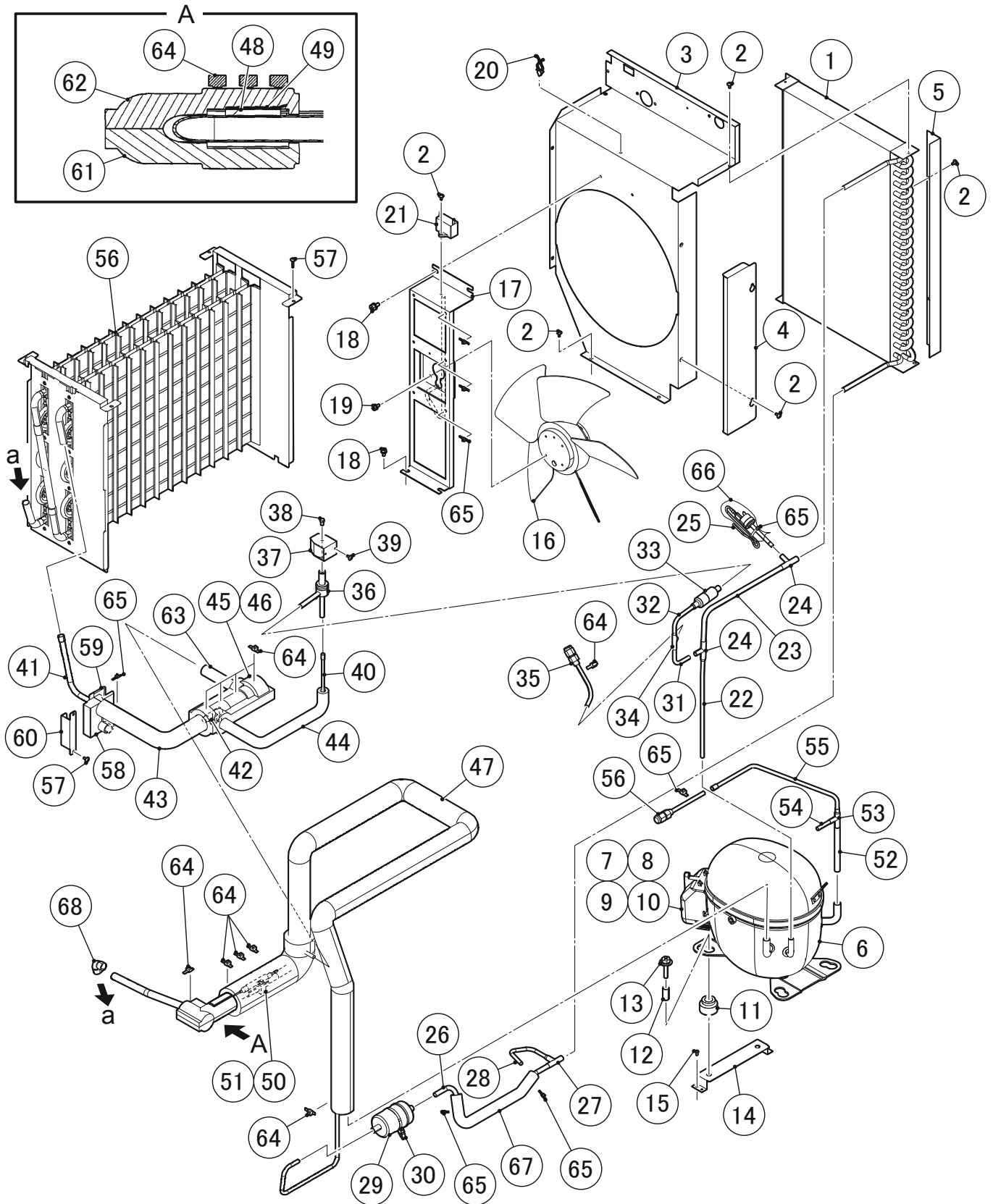
Number: F129-4621  
Issued: 3-2019



HA

MODEL: <b>KMD-410MAJ</b>		TITLE: <b>A. ICE CUBER ASSY</b>					
INDEX NO.	DESCRIPTION	MATERIAL OR MODEL NUMBER	PART NUMBER	REQ'D NUMBER			
				H-1			
B	REFRIGERATION CIRCUIT		127639A01	1			
C	WATER CIRCUIT		127726A01	1			
D	CONT. BOX ASSY		277001A01	1			
E	FRONT INSULATION ASSY		388861A01	1			
F	TOP INSULATION ASSY		374537A01	1			
G	BIN SWITCH		371886A01	1			
H	LABEL LOCATION		127728A01	1			
K	ACCESSORIES		A03725-01	1			
M	OPTIONAL PARTS		OPT-F129	1			
1	EVAP. CASE		127328G07	1			
2	T2 TRUSS HEAD SCREW		FT20408F0	22			
3	BOTTOM FRAME		275771M01	1			
4	T2 TRUSS HEAD SCREW		FT20408M0	4			
5	FRONT FRAME		388187G01	1			
6	TRUSS HEAD SCREW		FST0408S0	6			
7	TOP FRAME		371867M02	1			
8	BUSHING		428394-05	3			
9	BUSHING		428394-01	1			
10	CLAMP		427902-03	3			
11	SIDE FRAME (A)		371873M01	1			
12	SIDE FRAME (B)		371866M02	1			
13	SCREW - GROUNDING		433304-02	1			
14	CONT. BOX COVER		371874M01	1			
15	GASKET		127638Z01	2			
16	GASKET		127638Z02	1			
17	SIDE PANEL (R)		255966G07	1			
18	TOP PANEL		274705M02	1			
19	FRONT PANEL		373166G01	1			
20	TRUSS HEAD SCREW		FST0420S0	2			





HA

MODEL: <b>KMD-410MAJ</b>		TITLE: <b>B. REFRIGERATION CIRCUIT</b>					
INDEX NO.	DESCRIPTION	MATERIAL OR MODEL NUMBER	PART NUMBER	REQ'D NUMBER			
				H-1			
1	CONDENSER		P00815-01	1			
2	T2 TRUSS HEAD SCREW		FT20408F0	17			
3	SHROUD		255968M02	1			
4	FAN BLADE COVER		390094M01	1			
5	BARRIER		371872M01	1			
6	COMPRESSOR	NT6217GKV 115V 60Hz	P01550-01	1			
7	TERMINAL COVER	COMP. ACCESSORY	P02814-01	1			
8	PROTECTOR	COMP. ACCESSORY	P01552-01	1			
9	PROTECTOR RETAINER	COMP. ACCESSORY	P02815-01	1			
10	SCREW	COMP. ACCESSORY	P00840-01	1			
11	GROMMET	COMP. ACCESSORY	P00846-01	4			
12	SPACER	COMP. ACCESSORY	P00847-01	4			
13	BOLT	M8X35	436206-03	4			
14	COMP. MOUNT		371868G01	2			
15	RIVET	SSD43SSBS	7170-0005	8			
16	FAN MOTOR	A4E300-AU26-07	P02596-01	1			
17	FAN MOTOR BRACKET		371870G01	1			
18	HEX HEAD BOLT W/WASHER [SW]	5X10 SUS	FBK0510S0	4			
19	HEX HEAD BOLT W/WASHER [SW]	4X8 SUS	FBK0408S0	3			
20	CLAMP	No. 249	427902-03	1			
21	CAPACITOR	UJ22B605UEF	443158-02	1			
22	COPPER TUBE (A1) - HIGH SIDE	COPPER TUBE (A) - HIGH SIDE 371884G01	371884M01	1			
23	COPPER TUBE (A2) - HIGH SIDE	COPPER TUBE (A) - HIGH SIDE 371884G01	371884M02	1			
24	TEE	COPPER TUBE (A) - HIGH SIDE 371884G01	420041-02	1			
25	PRESSURE SWITCH	ACB-1UB44	463180-04	1			

HA

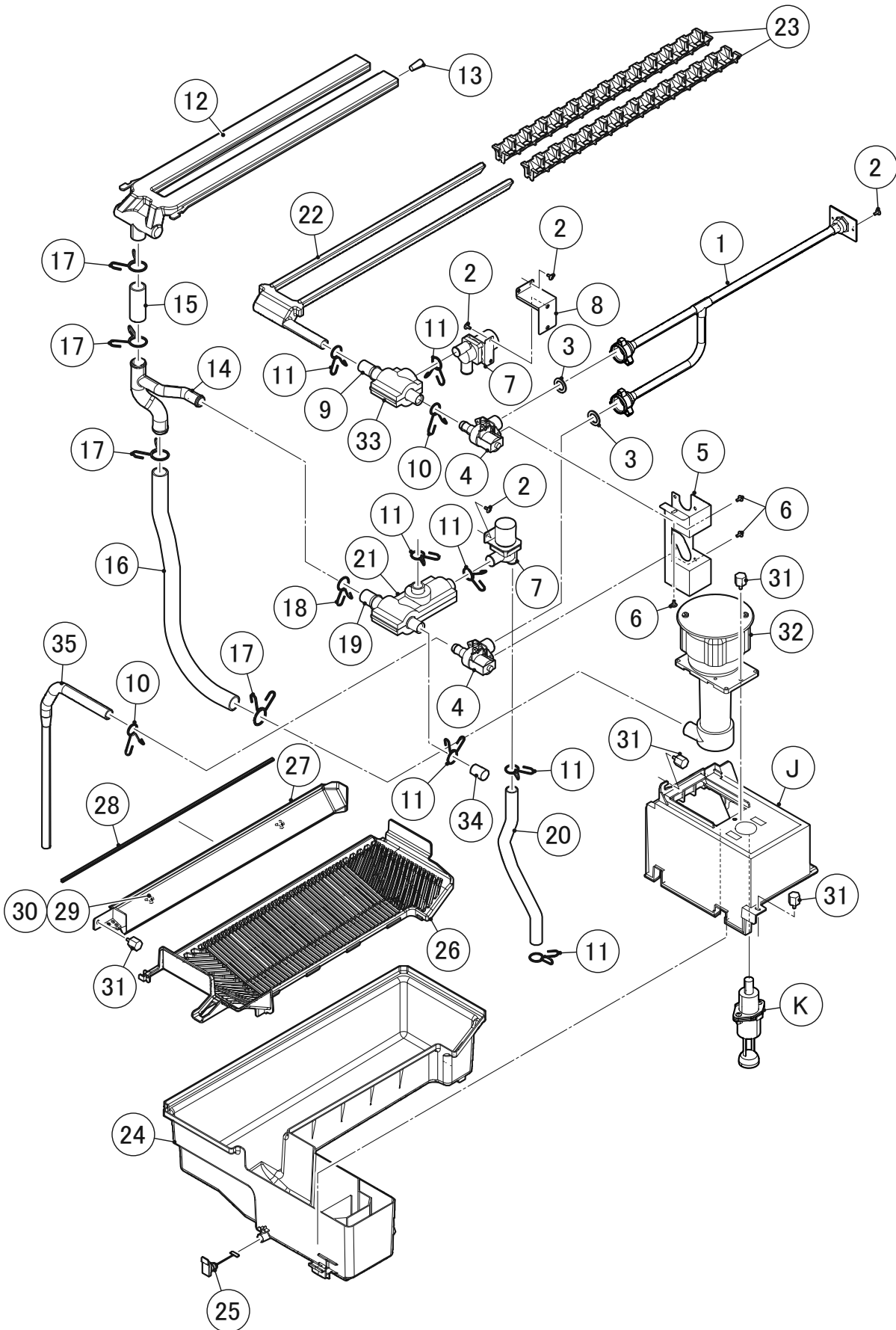
MODEL: <b>KMD-410MAJ</b>		TITLE: <b>B. REFRIGERATION CIRCUIT</b>					
INDEX NO.	DESCRIPTION	MATERIAL OR MODEL NUMBER	PART NUMBER	REQ'D NUMBER			
				H-1			
26	COPPER TUBE (B1) - HIGH SIDE	COPPER TUBE (B) - HIGH SIDE 255971G01	255971M01	1			
27	TEE	COPPER TUBE (B) - HIGH SIDE 255971G01	420041-11	1			
28	COPPER TUBE (B2) - HIGH SIDE	COPPER TUBE (B) - HIGH SIDE 255971G01	255971M03	1			
29	DRIER	DML032.5s	P02070-01	1			
30	TIE	T50RSF	436156-02	1			
31	COPPER TUBE (D1) - HIGH SIDE	COPPER TUBE (D) - HIGH SIDE 371885G01	371885M01	1			
32	COPPER TUBE (D2) - HIGH SIDE	COPPER TUBE (D) - HIGH SIDE 371885G01	371885M02	1			
33	STRAINER	COPPER TUBE (D) - HIGH SIDE 371885G01	P00812-01	1			
34	TEE	COPPER TUBE (D) - HIGH SIDE 371885G01	417394-01	1			
35	ACCESS VALVE	TCJ-2F20NHDU-1	457729-01	2			
36	VALVE BODY	ATS-B7SHDU-2	4A3978-01	1			
37	COIL-VALVE	AMS-C12HDU-3	4A3277-01	1			
38	BOLT	M4X8	4A3277F01	1			
39	TRUSS HEAD SCREW	4X8 SUS	FST0408S0	2			
40	COPPER TUBE (E1) - HOT GAS	COPPER TUBE (E) - HOT GAS 388846G01	371878M01	1			
41	COPPER TUBE (E2) - HOT GAS	COPPER TUBE (E) - HOT GAS 388846G01	388845M01	1			

HA

MODEL: <b>KMD-410MAJ</b>		TITLE: <b>B. REFRIGERATION CIRCUIT</b>					
INDEX NO.	DESCRIPTION	MATERIAL OR MODEL NUMBER	PART NUMBER	REQ'D NUMBER			
				H-1			
42	TEE	COPPER TUBE (E) - HOT GAS 388846G01	420335-01	1			
43	INSULATION TUBE	COPPER TUBE (E) - HOT GAS 388846G01 L=300	H71030300	1			
44	INSULATION TUBE	COPPER TUBE (E) - HOT GAS 388846G01 L=360	H71020360	1			
45	EXPANSION VALVE	HFE-10NHD-2	4A1414-01	1			
46	EXPANSION VALVE COVER		3A0944-01	1			
47	HEAT EXCHANGER		276950G01	1			
48	THERMISTOR	NBFC-36-H60-1	P00027-01	1			
49	HOLDER - THERMISTOR		427430-01	1			
50	HOLDER / EXP. VALVE - 3/8		3A0107-01	1			
51	CLAMP		443461-02	1			
52	COPPER TUBE (F1) - ACCESS VALVE	COPPER TUBE (F) - ACCESS VALVE 371877G01	371877M01	1			
53	TEE	COPPER TUBE (F) - ACCESS VALVE 371877G01	417394-01	1			
54	COPPER TUBE (F2) - ACCESS VALVE	COPPER TUBE (F) - ACCESS VALVE 371877G01	371877M03	1			
55	COPPER TUBE (F3) - ACCESS VALVE	COPPER TUBE (F) - ACCESS VALVE 371877G01	371877M04	1			
56	EVAPORATOR ASSY		276955G01	1			
57	T2 TRUSS HEAD SCREW		FT20408M0	6			
58	RUBBER INSULATION (B)		3A1045-01	1			



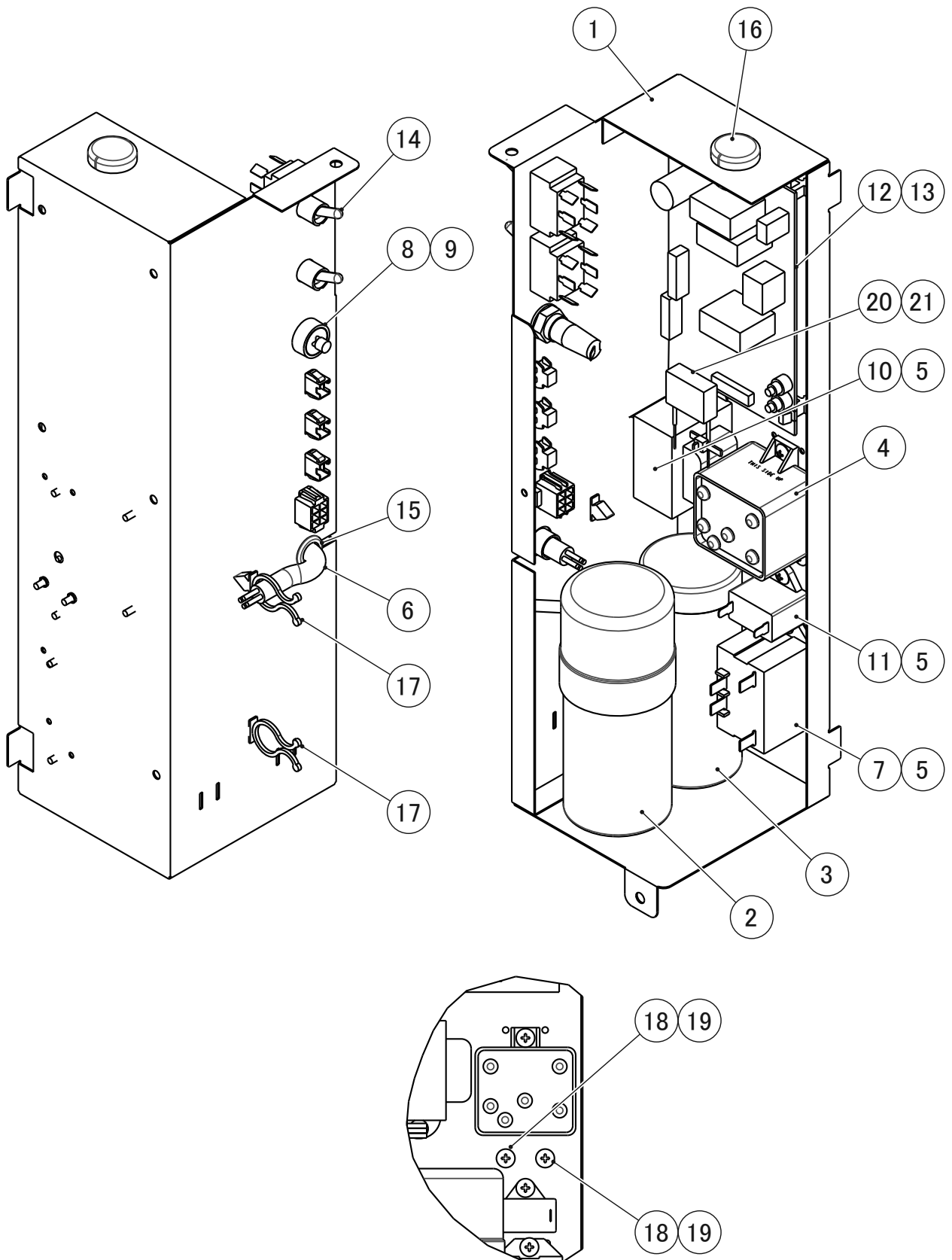




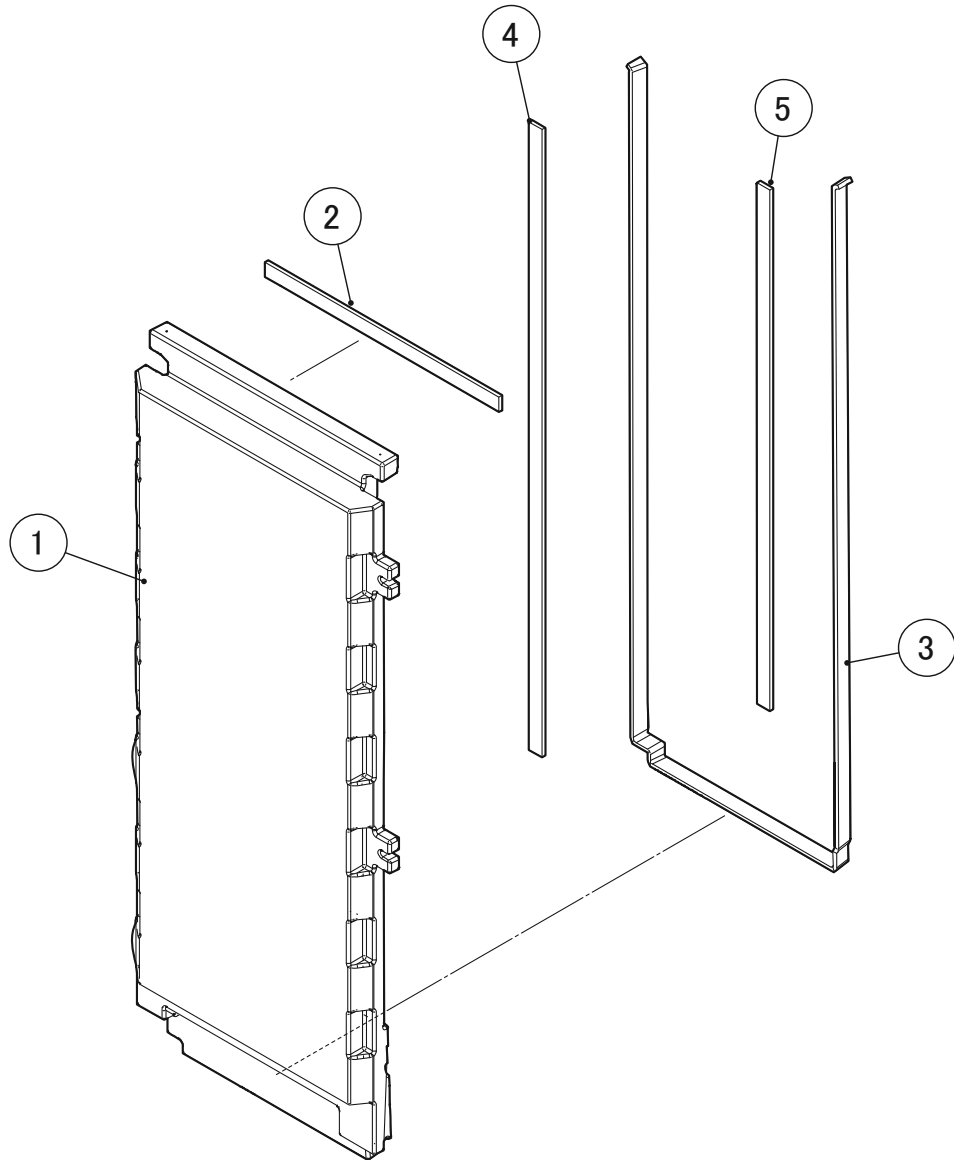
HA

MODEL: <b>KMD-410MAJ</b>		TITLE: <b>C. WATER CIRCUIT ASSY</b>					
INDEX NO.	DESCRIPTION	MATERIAL OR MODEL NUMBER	PART NUMBER	REQ'D NUMBER			
				H-1			
J	PUMP BRACKET ASSY		388856A01	1			
K	FLOAT SW. ASSY		389075A01	1			
1	WATER SUPPLY PIPE		371882G02	1			
2	T2 TRUSS HEAD SCREW	4X8	FT20408F0	9			
3	RUBBER GASKET		413854-03	2			
4	WATER VALVE	V19 4L/min	P01559-01	2			
5	WATER VALVE BRACKET		371875G02	1			
6	TRUSS HEAD SCREW	4X8 SUS	FST0408S0	4			
7	SOLENOID VALVE	FDC-90-02-115	P00018-02	2			
8	BRACKET - NSF VALVE		474226M01	1			
9	TEE		371167R01	1			
10	HOSE CLAMP		P02909-04	2			
11	HOSE CLAMP		P02909-05	7			
12	SPRAY TUBE		127382P01	1			
13	PLUG		4A0176-01	2			
14	CONNECTING PIPE		388309P01	1			
15	SILICONE HOSE	Φ20XΦ 25(CLEAR)L=60	H12025060	1			
16	SILICONE HOSE	Φ20XΦ 25(CLEAR)L=465	H12025465	1			
17	HOSE CLAMP		P02909-03	4			
18	HOSE CLAMP		P02909-06	1			
19	BYPASS HOSE		371165R01	1			
20	SILICONE HOSE	Φ15XΦ 19(CLEAR)L=340	H11519340	1			
21	BYPASS INSULATION		371169Z01	1			





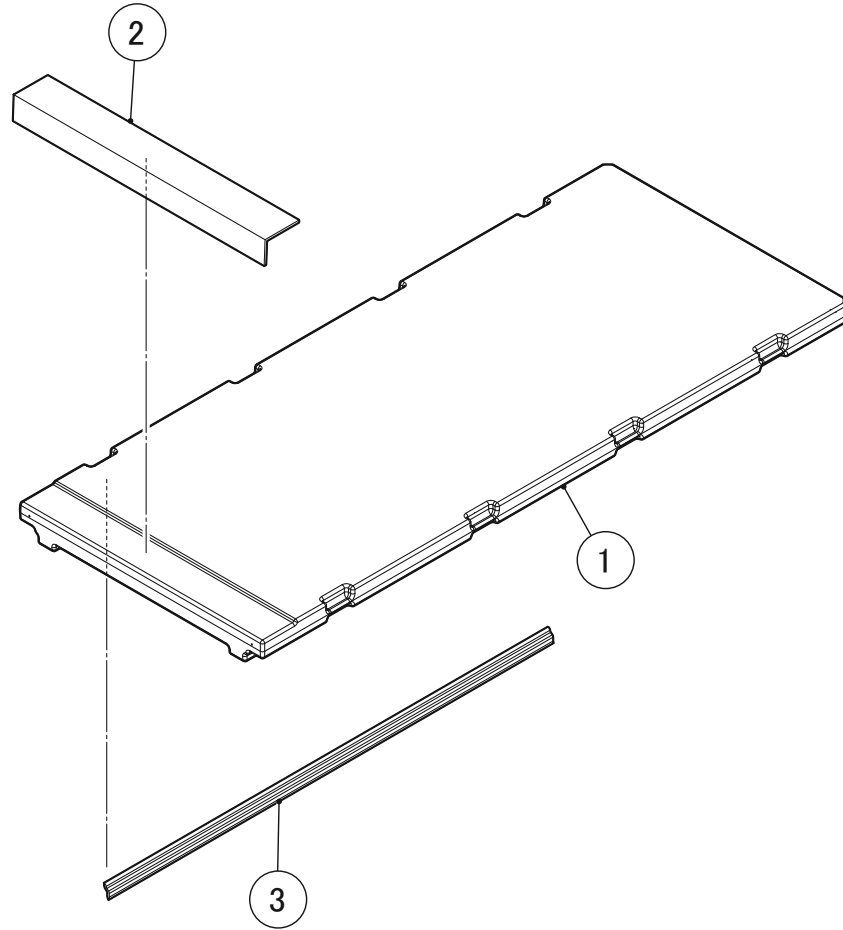




HA

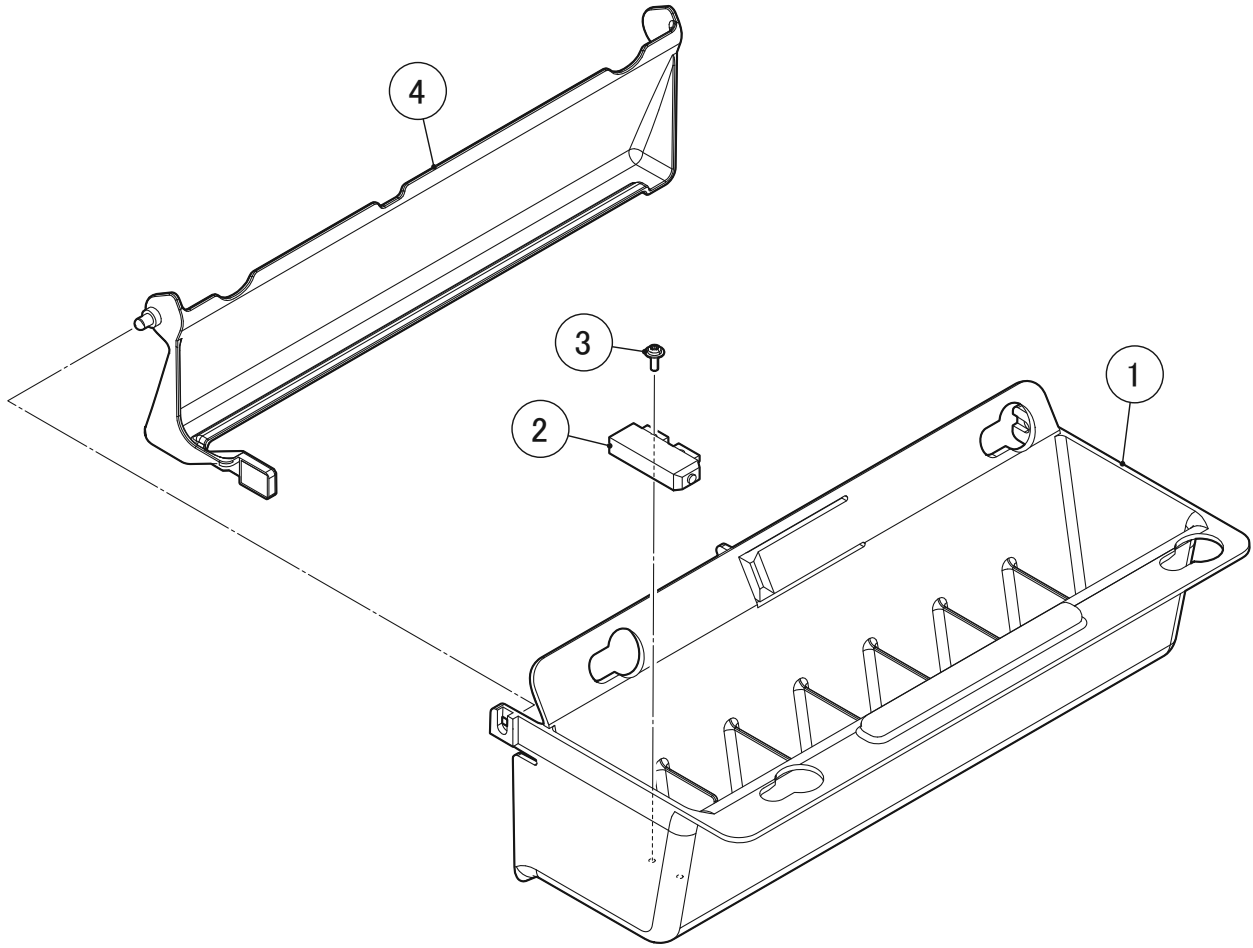
MODEL: <b>KMD-410MAJ</b>		TITLE: <b>E. FRONT INSULATION ASSY</b>					
INDEX NO.	DESCRIPTION	MATERIAL OR MODEL NUMBER	PART NUMBER	REQ'D NUMBER			
				H-1			
1	FRONT INSULATION		275773G01	1			
2	GASKET		388861Z02	1			
3	GASKET		388861Z03	1			
4	GASKET		388861Z04	1			
5	GASKET		388861Z05	1			





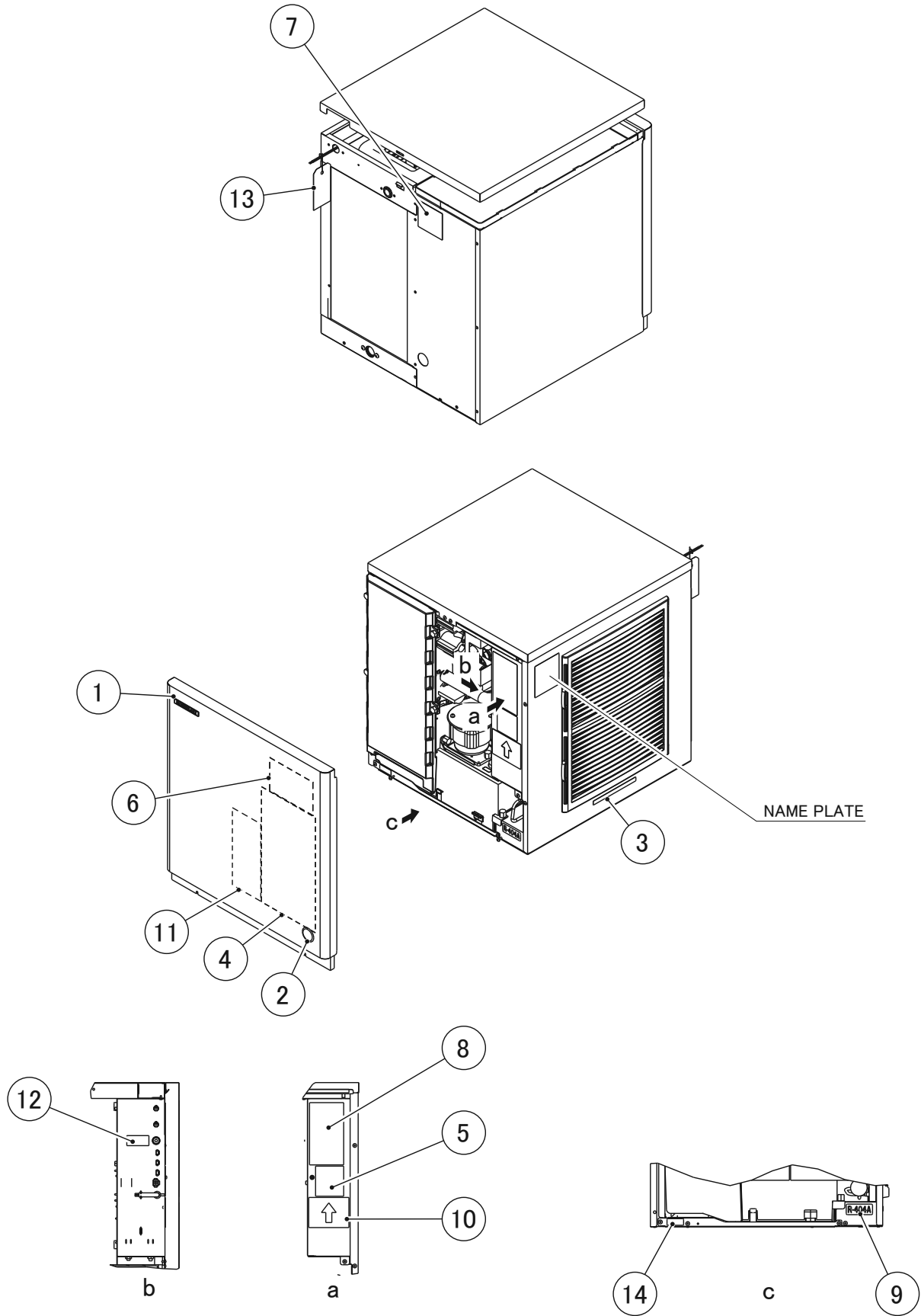
HA

MODEL: <b>KMD-410MAJ</b>		TITLE: <b>F. TOP INSULATION ASSY</b>					
INDEX NO.	DESCRIPTION	MATERIAL OR MODEL NUMBER	PART NUMBER	REQ'D NUMBER			
				H-1			
1	TOP INSULATION		255254G01	1			
2	INSULATION		473041Z01	1			
3	GASKET		374537Z03	1			

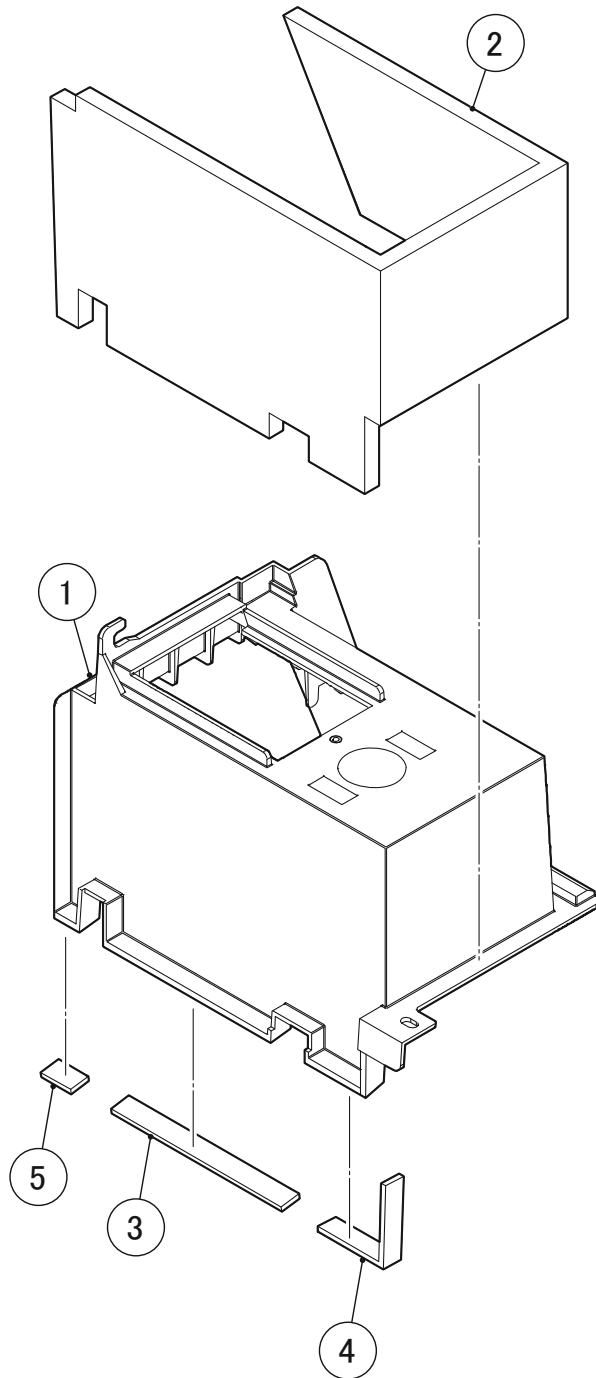


HA

MODEL: <b>KMD-410MAJ</b>		TITLE: <b>G. BIN SWITCH</b>					
INDEX NO.	DESCRIPTION	MATERIAL OR MODEL NUMBER	PART NUMBER	REQ'D NUMBER			
				H-1			
1	SWITCH HOUSING		255248P01	1			
2	LEAD SWITCH		453861-04	1			
3	TAPPING SCREW		431415-03	2			
4	DETECTOR		371158G01	1			



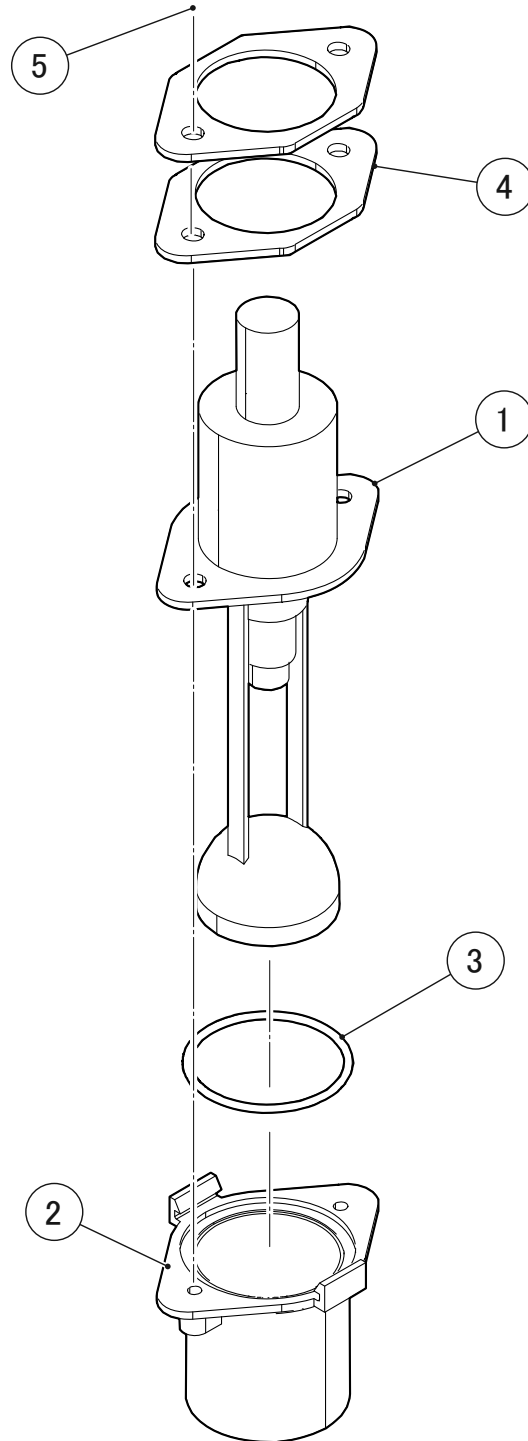




HA

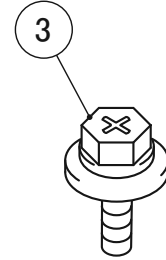
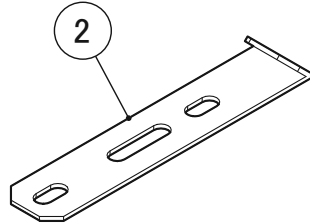
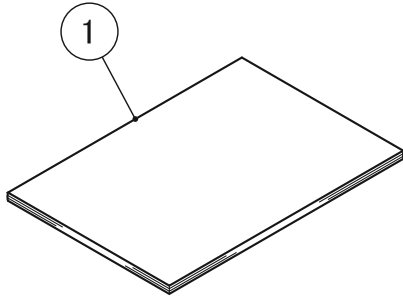
MODEL: <b>KMD-410MAJ</b>		TITLE: <b>J. PUMP BRACKET ASSY</b>					
INDEX NO.	DESCRIPTION	MATERIAL OR MODEL NUMBER	PART NUMBER	REQ'D NUMBER			
				H-1			
1	PUMP BRACKET		127338G01	1			
2	PM BRACKET INSULATION		388191P01	1			
3	GASKET		388856Z01	1			
4	GASKET		388856Z02	1			
5	GASKET		388856Z03	1			





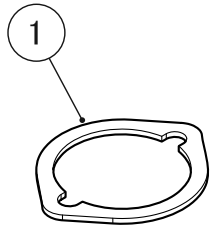
HA

MODEL: <b>KMD-410MAJ</b>		TITLE: <b>K. FLOAT SW. ASSY</b>					
INDEX NO.	DESCRIPTION	MATERIAL OR MODEL NUMBER	PART NUMBER	REQ'D NUMBER			
				H-1			
1	FLOAT SWITCH		P00816-01	1			
2	BRACKET - FLOAT SW.		258597P01	1			
3	PACKING		474862R01	1			
4	SPACER(A) - FLOAT SW.		485043P01	2			
5	T2 TRUSS HEAD SCREW		FST0412S0	2			



HA

MODEL: <b>KMD-410MAJ</b>		TITLE: <b>K. ACCESSORIES</b>					
INDEX NO.	DESCRIPTION	MATERIAL OR MODEL NUMBER	PART NUMBER	REQ'D NUMBER			
				H-1			
1	INSTRUCTION MANUAL		L1F129101	1			
2	UNIVERSAL BRACE		473048M01	2			
3	HEX HEAD BOLT (SW & FW)		FBK0512S0	2			



HA

MODEL: <b>KMD-410MAJ</b>		TITLE: <b>M. OPTIONAL PARTS</b>					
INDEX NO.	DESCRIPTION	MATERIAL OR MODEL NUMBER	PART NUMBER	REQ'D NUMBER			
				H-1			
1	SPACER(B)-FLOAT SW		485044P01	1			