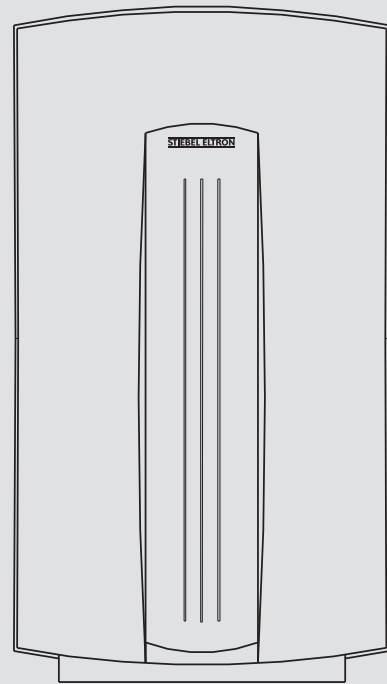


OPERATION AND INSTALLATION UTILISATION ET INSTALLATION OPERACIÓN E INSTALACIÓN

TANKLESS ELECTRIC WATER HEATER | CHAUFFE-EAU ÉLECTRIQUE SANS ACCUMULATEUR |
CALENTADOR DE AGUA INSTANTANEOS SIN TANQUE

- » DHC 3-1
- » DHC 3-2
- » DHC 4-2
- » DHC 4-3
- » DHC 5-2
- » DHC 6-2
- » DHC 8-2
- » DHC 9-3
- » DHC 10-2



STIEBEL ELTRON



The DHC series is tested and certified by WQA against NSF/ANSI 372 for "lead free" compliance.

OPERATION

1.	General information	2
1.1	Safety information	2
1.2	Other symbols in this document	2
2.	Safety	2
2.1	Intended use	3
2.2	General Information	3
2.3	Safety Precautions	3
2.4	Test symbols	3
3.	General	3

INSTALLATION

4.	Mounting the unit	4
5.	Water connections	4
6.	Electrical connection	5
7.	Putting the water heater into operation	5
8.	Normal maintenance	5
9.	Technical Data	6
9.1	Wiring diagram	6
9.2	Data table	7
10.	Temperature increase above ambient water temperature	7
11.	Troubleshooting	8
12.	Spare parts	8

ENVIRONMENT AND RECYCLING | WARRANTY

OPERATION

1. General information



Note

Read these instructions carefully before using the appliance and familiarize yourself with its functions. Keep these instructions safe. Pass on the instructions to a new user if required.

1.1 Safety information

1.1.1 Structure of safety information



KEYWORD Type of risk

Here, possible consequences are listed that may result from not observing the safety information.

► Steps to prevent the risk are listed.

1.1.2 Symbols. type of risk

Symbol	Type of risk
	Injury
	Electrocution
	Burns or scalding

1.1.3 Keywords

KEYWORD	Description
DANGER	If this information is not observed, it will result in serious injury or death.
WARNING	If this information is not observed, it can result in serious injury or death.
CAUTION	If this information is not observed, it can lead to medium or minor injury.

1.2 Other symbols in this document



Note

Notes are bordered by horizontal lines above and below the text. General information is identified by the symbol shown on the left.

► Read these notes carefully.

Symbol	Description
	Damage to the appliance and environment
	Appliance disposal

► This symbol indicates that you have to do something. The action you need to take is described step by step.

2. Safety

Observe the following safety information and regulations.

Operate the appliance only when fully installed and with all safety equipment fitted.

OPERATION

GENERAL

2.1 Intended use

The appliance is intended for heating domestic hot water and can supply one draw-off point.

Any other use beyond that described shall be deemed inappropriate.

Observation of these instructions is also part of the correct use of this appliance.

2.2 General Information

Read this entire manual. Failure to follow all the guides, instructions and rules could cause personal injury or property damage. Improper installation, adjustment, alteration, service and use of this appliance can result in serious injury.

This appliance must be installed by a licensed electrician and plumber. The installation must comply with all national, state and local plumbing and electric codes. Proper installation is the responsibility of the installer. Failure to comply with the installation and operating instructions or improper use voids the warranty.

Save these instructions for future reference. Installer should leave these instructions with the consumer.

If you have any questions regarding the installation, use or operation of this water heater, or if you need any additional installation manuals, please call our technical service line, see last side.

2.3 Safety Precautions



DANGER Injury
Please read and follow these instructions.
Failure to follow these instructions could result in serious personal injury or death.



Damage to the appliance and the environment
The appliance must be installed by a licensed electrician and plumber. The installation must comply with all national, state and local plumbing and electric codes. Service of the appliance must be performed by qualified service TECHNICIANS.



DANGER Electrocutation
Before proceeding with any installation, adjustment, alteration, or service of this appliance all circuit breakers and disconnect switches servicing the appliance must be turned off. Failure to do so could result in serious personal injury or death.



DANGER Electrocutation
Never remove the appliance's cover unless the electricity servicing the appliance is turned off. Failure to do so could result in personal injury or death.



DANGER Electrocutation
The appliance must be properly grounded. Failure to electrically ground the product could result in serious personal injury or death.



DANGER Burns
Water temperatures over 125 °F (52 °C) can cause severe burns instantly or death from scalding.



WARNING Injury
Where children or persons with limited physical, sensory or mental capabilities are to be allowed to control this appliance, ensure that this will only happen under supervision or after appropriate instructions by a person responsible for their safety.
Children should be supervised to ensure that they never play with the appliance.

2.4 Test symbols

See type plate on the appliance.

3. General

The DHC tankless water heater differs from conventional storage type water heaters in several ways. It does not store hot water. Instead, water is heated instantaneously as it flows through the unit. The powerful heating elements are activated by a flow switch as water is drawn from a hot water faucet connected to the DHC. Due to the absence of stand-by losses, the DHC has greater energy efficiency than storage type water heaters.

The temperature of the hot water delivered by the DHC depends on the wattage of the heating element, the temperature of the incoming cold water, and the water flow rate through the unit. In order for the DHC to operate properly, it must be carefully matched to the application.

In case you have questions regarding the way you plan to use the DHC, please call our technical service line at 800-582-8423 (USA and Canada). For service outside the U.S. and Canada, please call us at USA 413-247-3380. You can also e-mail us at info@stiebel-eltron-usa.com or fax us at 413-247-3369.

The DHC can be used for hand washing type applications in the U.S. and Canada:

- Restroom sinks in commercial/industrial facilities and homes
- Kitchen areas in commercial /industrial facilities and homes
- Cabins
- Special uses in photo developing shops, laboratories etc.

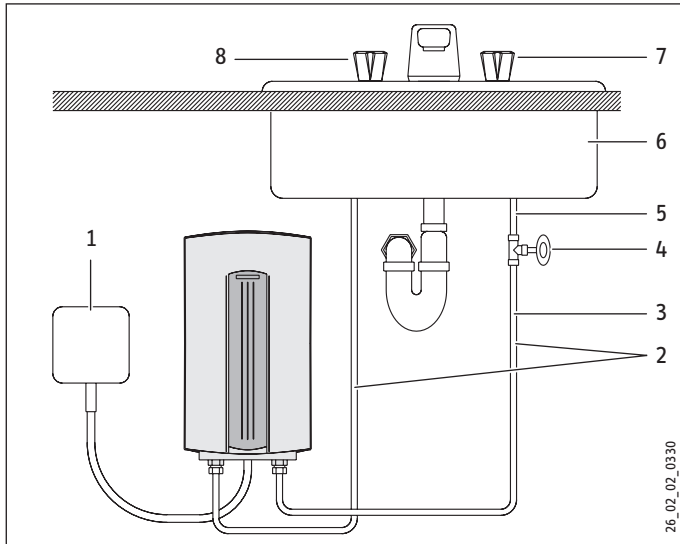
The DHC can also be used for whole apartments and homes in warm climate zones such as the Caribbean region, Central America and Mexico due to the higher ambient water temperatures.

INSTALLATION

MOUNTING THE UNIT

INSTALLATION

4. Mounting the unit

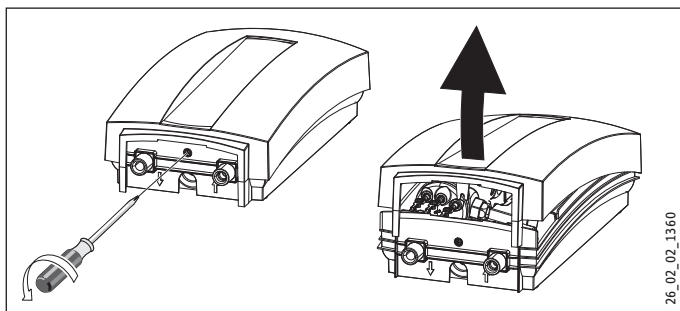


- 1 Electrical junction box
- 2 Water supply line for faucet installation
- 3 3/8" compression-T
- 4 Shut-off valve
- 5 1/2" main pipe
- 6 Sink
- 7 Cold valve (right)
- 8 Hot valve (left)

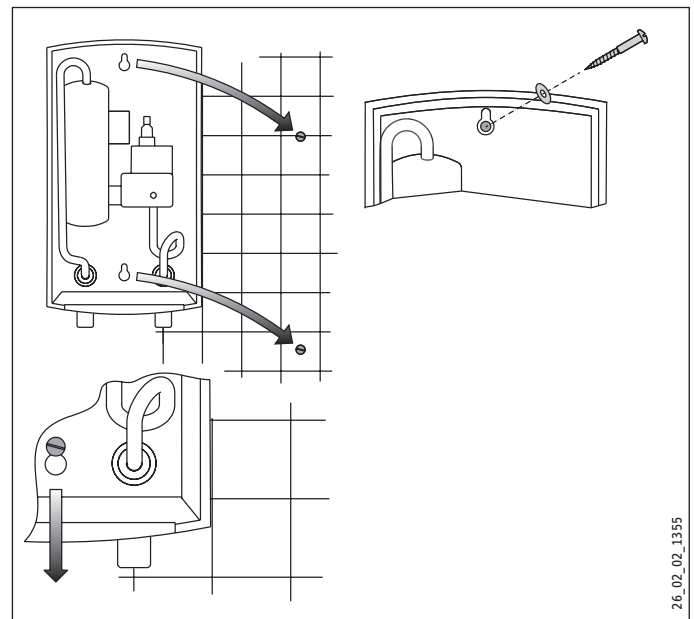
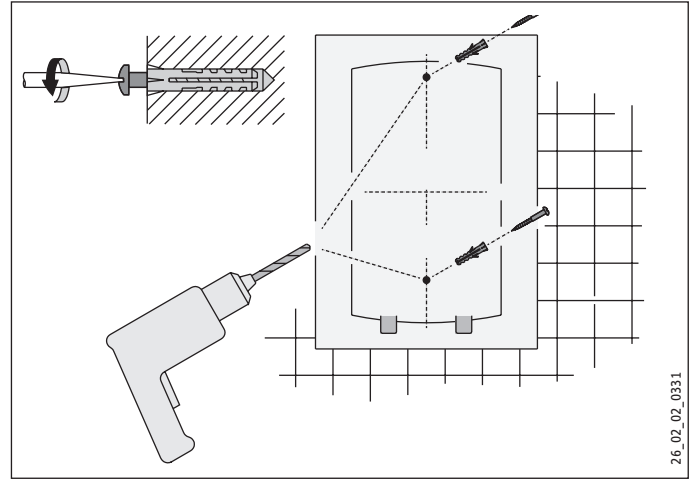


DANGER Electrocutation
UNIT MUST BE INSTALLED IN A VERTICAL POSITION WITH THE WATER FITTINGS POINTING DOWNWARD. DO NOT INSTALL UNIT WHERE IT WOULD ROUTINELY BE SPLASHED WITH WATER. ELECTRIC SHOCK MAY RESULT.

1. Install DHC as close as possible to the hot water draw-off point, for example, directly underneath the sink or next to the shower stall.
2. Install DHC in a frost free area. If frost may occur, remove unit before freezing temperatures set in.
3. Leave a minimum of 5" of clearance on all sides for servicing.
4. Remove plastic cover.



5. Mount unit securely to wall by putting two screws through mounting holes. Screws and plastic wall anchors for mounting on masonry or wood are provided.



5. Water connections

1. All plumbing work must comply with national and applicable state and local plumbing codes.
2. A pressure reducing valve must be installed if the cold water supply pressure exceeds 150 PSI (10 bar).
3. Make certain that the cold water supply line has been flushed to remove any scale and dirt.
4. Install isolating valve in cold water line as shown in illustration. This allows the unit to be isolated for maintenance purposes.
5. Cold water connection (inlet) is on the right side of the unit, hot water connection (outlet) is on the left side of unit.



Note
EXCESSIVE HEAT FROM SOLDERING ON COPPER PIPES NEAR THE DHC MAY CAUSE DAMAGE.

INSTALLATION

ELECTRICAL CONNECTION

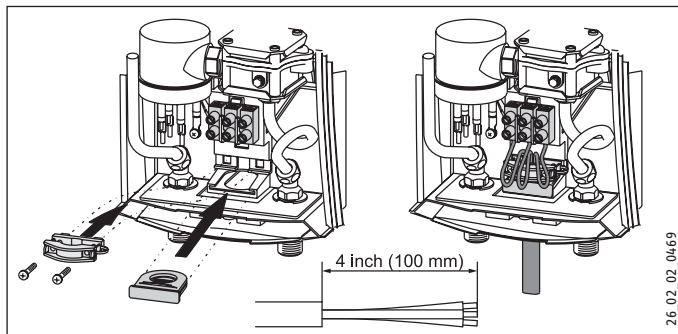
- Tankless water heaters such as the DHC are not required to be equipped with a Pressure and Temperature Relief Valve (PTRV). If the local inspector will not pass the installation without a PTRV, it should be installed on the hot water outlet side of unit.
- In case you are connecting to 1/2" water pipe, solder 1/2" NPT tapered female adapter by copper on ends of cold and hot water lines. In case you are connecting to 3/8" water pipe, use a 1/2" female pipe thread by 3/8" compression adapter. Braided flexible connectors will work as well. Connect cold and hot water lines to the unit.
- When all plumbing work is completed, check for leaks and take corrective action before proceeding.

6. Electrical connection



DANGER Electrocutation
BEFORE BEGINNING ANY WORK ON THE ELECTRIC INSTALLATION, BE SURE THAT MAIN BREAKER PANEL SWITCH IS „OFF“ TO AVOID ANY DANGER OF ELECTRIC SHOCK. ALL MOUNTING AND PLUMBING MUST BE COMPLETED BEFORE PROCEEDING WITH ELECTRICAL HOOK-UP. WHERE REQUIRED BY LOCAL, STATE OR NATIONAL ELECTRICAL CODES THE CIRCUIT SHOULD BE EQUIPPED WITH A „GROUND FAULT INTERRUPTER“.

- All electrical work must comply with national and applicable state and local electrical codes.
- The DHC should be connected to a properly grounded dedicated branch circuit of proper voltage rating. In installations with several DHC units, each unit requires an independent circuit. Please refer to the technical data table for the correct wire and circuit breaker size.
- The wire must be fed through the rubber seal located between the hot and cold water connections. Then feed wires through strain relief clamp and tighten clamp down on wire. The „live“ wires must be connected to the slots on the terminal block marked N and L (DHC 3-1 only) or L and L (all other versions). The ground wire must be connected to slot marked with the ground symbol.
- Reinstall plastic cover.



DANGER Electrocutation
AS WITH ANY ELECTRIC APPLIANCE, FAILURE TO ELECTRICALLY GROUND UNIT MAY RESULT IN SERIOUS INJURY OR DEATH.

7. Putting the water heater into operation



WARNING
OPEN HOT WATER FAUCET FOR A FEW MINUTES UNTIL WATER FLOW IS CONTINUOUS AND ALL AIR IS PURGED FROM WATER PIPES. THE UNIT'S PLASTIC COVER MUST BE INSTALLED BEFORE THE CIRCUIT BREAKER IS TURNED ON.

- Turn on circuit breaker to bring electrical power to the unit.
- Open hot water faucet to a degree so that water flow is „typical“ i.e. until the water flow is the same as that encountered during normal use.
- Wait twenty seconds until temperature has stabilized. Then check water temperature. If temperature is too low, the water flow rate needs to be reduced. In order to do this, turn off the unit's circuit breaker, remove the cover and turn the flow adjustment screw shown in illustration clockwise 1/2 turn (180 degrees). Then reinstall plastic cover, turn on circuit breaker and check water temperature. This procedure should be repeated until the desired temperature is achieved. In case the water temperature is too high, turn the flow adjustment screw counter clockwise in the same manner until the desired temperature is achieved. The arrows in illustration refer to the water temperature.
- In order to obtain temperature control at a single spout mixer-type faucet, restrict cold water flow to faucet by partially closing the cold water shut-off valve under the sink until cold water and hot water flow rates are approximately the same.

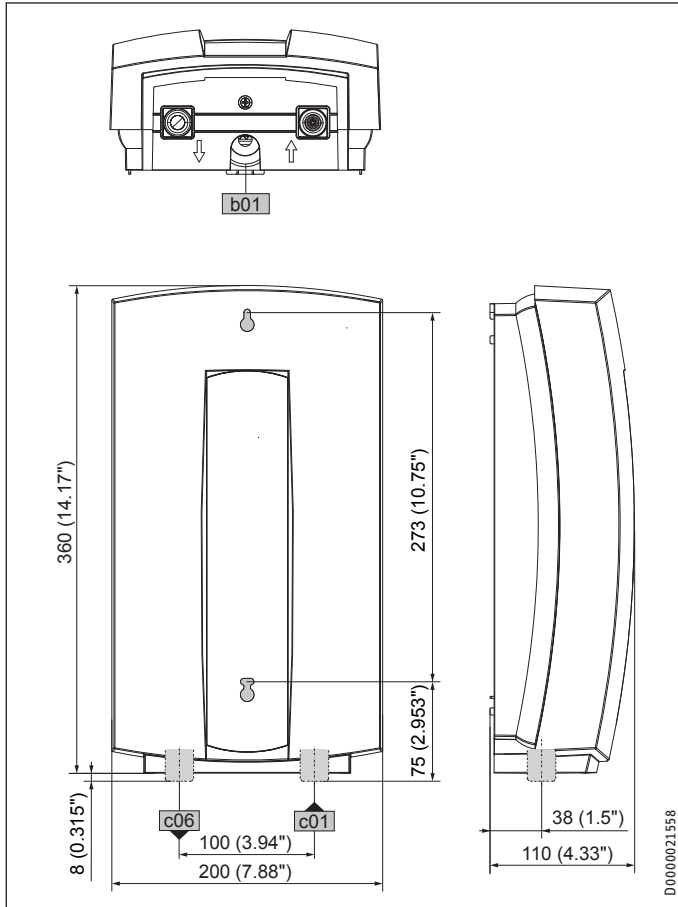
8. Normal maintenance

STIEBEL ELTRON DHC tankless heaters are designed for a very long service life. Actual life expectancy will vary with water quality and use. The unit itself does not require any regular maintenance. However, to ensure consistent water flow, it is recommended to periodically remove scale and dirt that may build up at the aerator of the faucet or in the shower head. Also, the DHC has a built in filter screen that should be cleaned from time to time. In order to do this, turn off the cold water supply at the isolating valve and remove the ground wire. Twist cold water supply tube counterclockwise by 90° and pull towards bottom of unit. Clean screen and put the screen, the cold water supply tube and the ground wire back into their original position. Please be sure that the ground wire is reinstalled and that ground screw is securely tightened after this procedure.



Note
OTHER THAN THE FILTER SCREEN, THE DHC DOES NOT CONTAIN ANY PARTS SERVICEABLE BY THE LAY PERSON. IN CASE OF MALFUNCTION PLEASE CONTACT A LICENSED PLUMBER OR ELECTRICIAN.

9. Technical Data



b01	electrical supply cable		
c01	cold water connection	" NPT	1/2
c06	hot water connection	" NPT	1/2

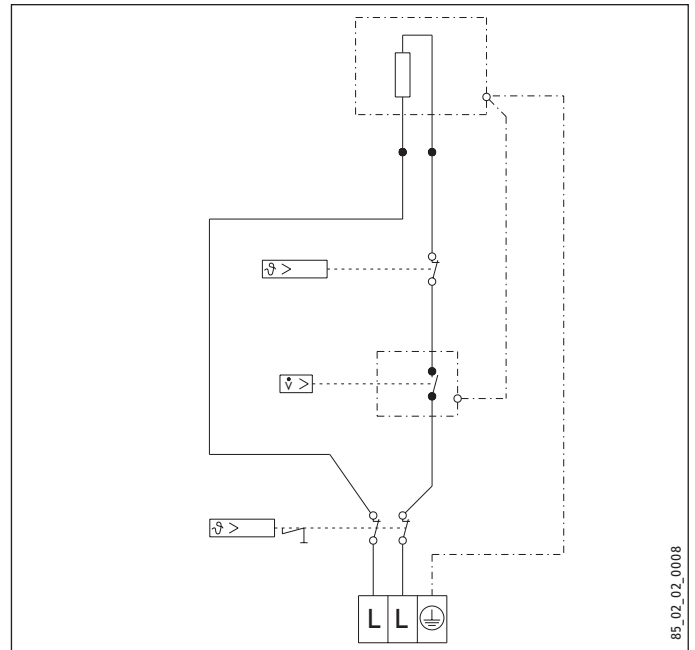
9.1 Wiring diagram

DHC 3-2, DHC 4-2, DHC 5-2

L L ⊕ 2/GRD ~ 208 / 240V

DHC 4-3

L L ⊕ 2/GRD ~ 277V



DHC 6-2, DHC 8-2, DHC 10-2

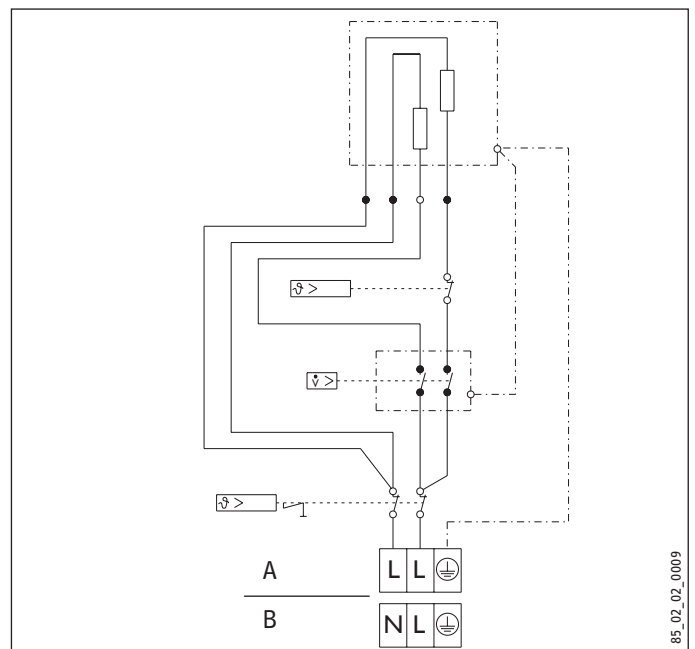
A L L ⊕ 2/GRD ~ 208 / 240V

DHC 9-3

A L L ⊕ 2/GRD ~ 277V

DHC 3-1

B N L ⊕ 1/N/GRD ~ 120V



9.2 Data table

Model		DHC 3-1		DHC 3-2		DHC 4-2		DHC 4-3		DHC 5-2		DHC 6-2		DHC 8-2		DHC 9-3		DHC 10-2	
		074050	074052		074053		074051		074054		074424		074055		232204		074056		
Voltage	V	120	208	240	208	240	277	208	240	208	240	208	240	208	240	277	208	240	
Phase		1	1	1	1	1	1	1	1	1	1	1	1	1	1	1	1	1	
Wattage	kW	3.0	2.5	3.5	2.9	3.8	4.5	3.6	4.8	4.5	6.0	5.4	7.2	9.0	7.2	9.6	7.2	9.6	
Ampere	A	25	12	14	14	16	17	18	20	22	25	26	30	32.5	35	40	35	40	
Min. required circuit breaker size	A	30	15	20	20	20	20	30	30	30	30	30	40	40	50	50	50	50	
Recommended wire size	AWG Copper	10	14	12	12	12	12	10	10	10	10	8	8	8	8	8	8	8	
Min. water flow to activate unit	GPM / l/min	0.32 / 1.2	0.32 / 1.2		0.42 / 1.6		0.42 / 1.6		0.42 / 1.6		0.48 / 1.8		0.69 / 2.6		0.79 / 3.0		0.79 / 3.0		
Pressure loss in unit	PSI / bar	2.88 / 0.23	2.88 / 0.23		2.88 / 0.23		2.88 / 0.23		2.88 / 0.23		2.88 / 0.23		3.13 / 0.25		3.75 / 0.30		3.75 / 0.30		
Nominal water volume	GAL / l	0.13 / 0.5	0.13 / 0.5		0.13 / 0.5		0.13 / 0.5		0.13 / 0.5		0.13 / 0.5		0.13 / 0.5		0.13 / 0.5		0.13 / 0.5		
Working pressure max,	PSI / bar	150 / 10	150 / 10		150 / 10		150 / 10		150 / 10		150 / 10		150 / 10		150 / 10		150 / 10		
Tested to pressure	PSI / bar	300 / 20	300 / 20		300 / 20		300 / 20		300 / 20		300 / 20		300 / 20		300 / 20		300 / 20		
Weight	lbs. / kg	4.6 / 2.1	4.6 / 2.1		4.6 / 2.1		4.6 / 2.1		4.6 / 2.1		5.3 / 2.4		5.3 / 2.4		5.3 / 2.4		5.3 / 2.4		
Water connections	" NPT	1/2	1/2		1/2		1/2		1/2		1/2		1/2		1/2		1/2		

- Suitable for supply with cold water
- Tankless water heaters are considered a non-continuous load
- Conductors should be sized to maintain a voltage drop of less than 3 % under load

10. Temperature increase above ambient water temperature

Typ	kW	[°F]									
		GPM (gallon per minute)									
		0.32	0.42	0.48	0.5	0.69	0.75	0.79	1.0	1.5	2.0
DHC 3-1	3.0	65	49	43	41	30	27	26	20	14	10
DHC 3-2	2.5	54	40	35	34	25	23	21	17	11	9
	3.3	71	53	47	45	33	30	28	22	15	11
DHC 4-2	2.9	-	47	41	40	29	26	25	20	13	10
	3.8	-	61	54	52	38	35	33	26	17	13
DHC 4-3	4.5	-	73	64	61	45	41	39	31	20	15
DHC 5-2	3.6	-	58	51	49	36	33	31	25	16	12
	4.8	-	77	68	65	48	44	41	33	22	16
DHC 6-2	4.5	-	-	64	61	45	41	39	31	20	15
	6.0	-	-	85	82	60	55	52	41	27	20
DHC 8-2	5.4	-	-	-	54	49	46	37	25	18	
	7.2	-	-	-	71	65	62	49	33	25	
DHC 9-3	9.0	-	-	-	-	-	77	58	41	31	
DHC 10-2	7.2	-	-	-	-	-	62	49	33	25	
	9.6	-	-	-	-	-	82	65	44	33	

Typ / Type	kW	[°C]									
		l/min									
		1.2	1.6	1.8	2.0	2.6	3.0	4.0	5.0	7.5	
DHC 3-1	3.0	36	27	24	22	17	14	11	9	6	
DHC 3-2	2.5	30	22	20	18	14	12	9	7	5	
	3.3	39	30	26	24	18	16	12	9	6	
DHC 4-2	2.9	-	26	23	21	16	14	10	8	6	
	3.8	-	34	30	27	21	18	14	11	7	
DHC 4-3	4.5	-	40	36	32	25	22	16	13	9	
DHC 5-2	3.6	-	32	29	26	20	17	13	10	7	
	4.8	-	43	38	34	26	23	17	14	9	
DHC 6-2	4.5	-	-	36	32	25	22	16	13	9	
	6.0	-	-	48	43	33	29	22	17	11	
DHC 8-2	5.4	-	-	-	-	30	26	19	15	10	
	7.2	-	-	-	-	40	34	26	21	14	
DHC 9-3	9.0	-	-	-	-	-	43	32	26	17	
DHC 10-2	7.2	-	-	-	-	-	34	26	21	14	
	9.6	-	-	-	-	-	46	34	28	18	

Min. water flow to activate unit

Min. water flow to activate unit

INSTALLATION

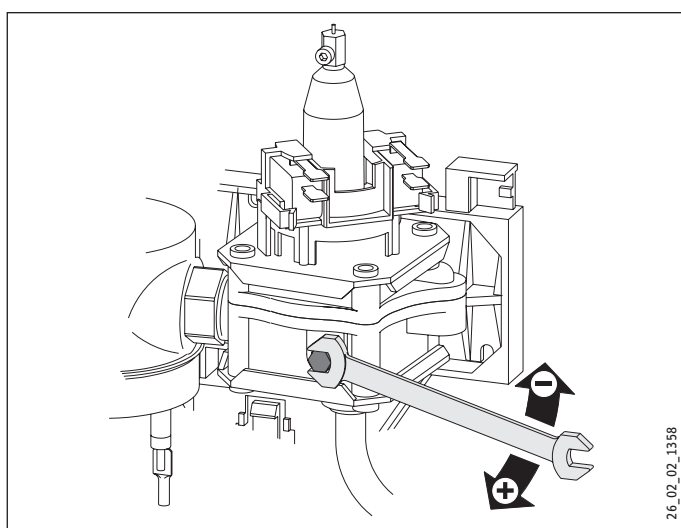
TROUBLESHOOTING

11. Troubleshooting

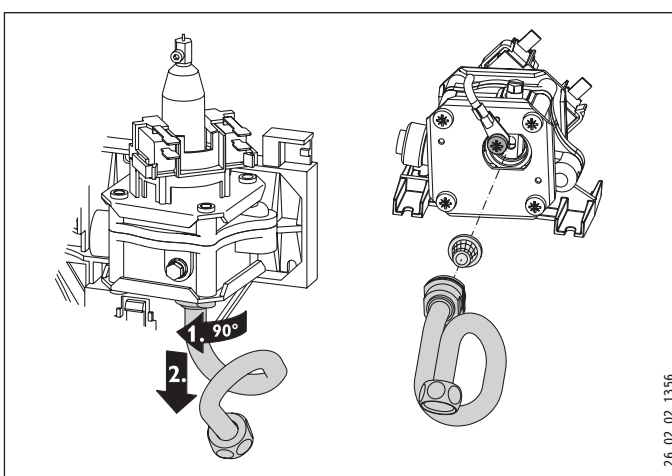
Symptom	Possible cause	Solution
No hot water but audible click can be heard when water is turned on	circuit breaker off	circuit breaker on.
	safety thermal cut-out tripped	reset thermal cut-out.
No hot water and no audible click can be heard when water is turned on	water flow too low to activate flow switch	clean faucet aerator.
		open shut-off valve completely.
		open flow adjustment screw.
Water not warm enough	water flow too high	clean filter screen at DHC unit.
	voltage too low	reduce wter flow, close flow agjusment screw. supply correct voltage to unit.

If you are not able to resolve a problem please contact us toll free at 800-582-8423 before removing the unit from the wall. STIEBEL ELTRON is happy to provide technical assistance. In most instances, we can resolve the problem over the phone.

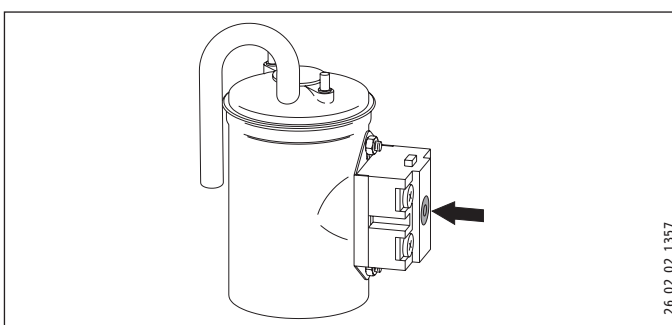
Open flow adjustment screw



Filter screen

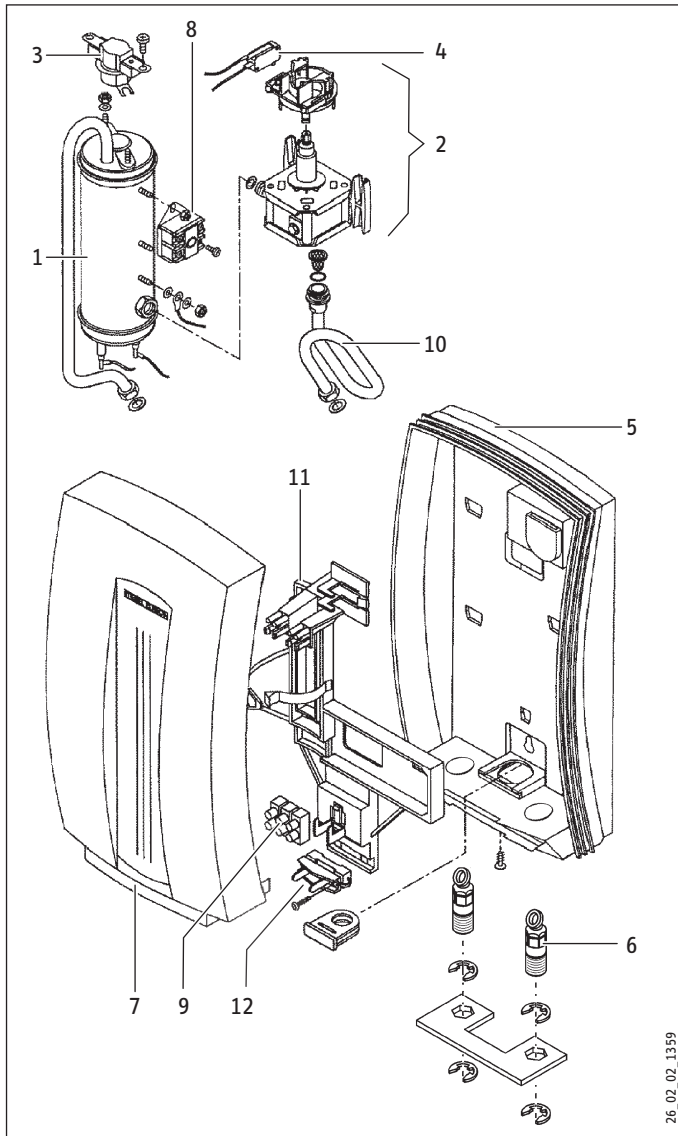


Reset button from safety thermal cut out



12. Spare parts

No.	Spare part	DHC 3-1	DHC 3-2	DHC 4-2	DHC 4-3	DHC 5-2	DHC 6-2	DHC 8-2	DHC 9-3	DHC 10-2
1	Heating system	165889	167769	167770	165890	167771	171117	167772	296874	167773
2	Flow switch	165273	165273	162162	162162	162162	171105	162164	162465	162165
3	Thermostat	162472	162472	162472	162472	162472	162472	162472	162472	162472
4	Switch	168026	168026	168026	168026	168026	168026	168026	168026	168026
5	Housing (back)	165891	165891	165891	165891	165891	165891	165891	165891	165891
6	Plumbing connection	165893	165893	165893	165893	165893	165893	165893	165893	165893
7	Housing (front)	165892	165892	165892	165892	165892	165892	165892	165892	165892
8	Safety thermal cut out	162474	162474	162474	162474	162474	162474	162474	162474	162474
9	Wiring block	026010	026010	026010	026010	026010	026010	026010	026010	026010
10	Copper tube	162314	162314	162314	162314	162314	162314	162314	162314	162314
11	Module chassis	162462	162462	162462	162462	162462	162462	162462	162462	162462
12	Wire strain relief clamp	055754	055754	055754	055754	055754	055754	055754	055754	055754



Environment and recycling

We would ask you to help protect the environment. After use, dispose of the various materials in accordance with national regulations.

WARRANTY

Residential & commercial warranty: Stiebel Eltron, Inc. warrants to the original owner that the DHC tankless electric water heater will be free from defects in workmanship and materials for a period of three (3) years from the date of purchase, and free from leakage for a period of seven (7) years from the date of purchase. Should the part(s) prove to be defective under normal use during this period, Stiebel Eltron, Inc. will be responsible for replacement of the defective part(s) only. Stiebel Eltron, Inc. is not responsible for labor charges to remove and/or replace the defective part(s), or any incidental or consequential expenses.

Should the owner wish to return the tankless electric water heater for repair, the owner must first secure written authorization from Stiebel Eltron, Inc. The owner shall be required to show proof of purchase date, and to pay all transportation costs to return the defective part(s) or tankless electric water heater for repair or replacement. Warranty is void if water heater has been installed or used improperly or if design has been altered in any way.

STIEBEL ELTRON, INC.

17 West Street

West Hatfield, MA 01088, USA

PHONE: 800-582-8423 or 413-247-3380

FAX: 413-247-3369

E-Mail info@stiebel-eltron-usa.com

www.stiebel-eltron-usa.com

TABLE DES MATIÈRES | UTILISATION

REMARQUES GÉNÉRALES

UTILISATION

1.	Remarques générales	10
1.1	Informations relatives à la sécurité	10
1.2	Autres repérages utilisés dans ce document	10
2.	Sécurité	10
2.1	Utilisation conforme	11
2.2	Informations générales	11
2.3	Précautions de sécurité	11
2.4	Label de conformité	11

INSTALLATION

3.	Montage de l'appareil	12
4.	Raccordements d'eau	12
5.	Raccordement électrique	13
6.	Mise en œuvre du chauffe-eau	13
7.	Maintenance normale	13
8.	Caractéristiques techniques	14
8.1	Wiring diagram	14
8.2	Tableau de données	15
9.	Élévation de température au delà de la température ambiante de l'eau	15
10.	Dépannage	16
11.	Pièces de rechange	16

ENVIRONNEMENT ET RECYCLAGE | GARANTIE

UTILISATION

1. Remarques générales



Remarque

Lisez attentivement cette notice avant d'utiliser l'appareil et familiarisez-vous avec ses fonctions. Conservez la notice dans un endroit sûr. Remettez cette notice au nouvel utilisateur le cas échéant.

1.1 Informations relatives à la sécurité

1.1.1 Structure des consignes de sécurité



MOT-CLÉ Nature du danger

Ici s'affichent les conséquences possibles de la non-observation des prescriptions de sécurité.

► Les mesures permettant d'éviter ces dangers sont également indiquées.

1.1.2 Symboles, nature du danger

Symbole	Nature du danger
	Blessure
	Électrocution
	Brûlures ou ébouillancements

1.1.3 Mots-clés

MOT-CLÉ	Description
DANGER	La non-observation de ces informations entraîne des blessures graves, voire la mort.
AVERTISSEMENT	La non-observation de ces informations peut entraîner des blessures graves, voire la mort.
ATTENTION	La non-observation de ces informations peut entraîner des blessures moyennement graves ou légères.

1.2 Autres repérages utilisés dans ce document



Remarque

Les remarques sont délimitées par des lignes horizontales au-dessus et en dessous du texte. Les remarques d'ordre général sont caractérisées par le symbole représenté ici à gauche.

► Lisez attentivement ces remarques.

Symbole	
	Domages sur l'appareil et sur l'environnement
	Recyclage de l'appareil

► Ce symbole indique ce que vous devez faire. Ce que vous devez faire est décrit étape par étape.

2. Sécurité

Respectez les consignes suivantes et les prescriptions de sécurité.

N'utilisez cet appareil que s'il est complètement installé et doté de tous les dispositifs de sécurité.

2.1 Utilisation conforme

L'appareil est destiné au chauffage de l'eau sanitaire et peut un point de soutirage.

Toute utilisation dépassant ces spécifications est considérée comme non conforme.

Le respect de la présente notice faite également partie de l'utilisation conforme de cet appareil.

2.2 Informations générales

Lisez la notice en sa totalité. La non-observation de toutes les directives, notices et réglementations peut entraîner des blessures corporelles et/ou des dégâts matériels. Une installation, un paramétrage, une modification ou une maintenance effectuée de manière incorrecte sur cet appareil peut entraîner des blessures très importantes.

Cet appareil doit être installé par un installateur agréé. L'installation doit satisfaire à toutes les prescriptions nationales, régionales et locales. L'installateur est responsable de la réalisation correcte de l'installation. La non-observation de la notice d'installation et d'emploi ou toute installation non-conforme invalide la garantie.

Conservez la présente notice pour consultation ultérieure. L'installateur doit remettre cette notice à l'utilisateur.

En cas de questions à propos de l'installation, de l'utilisation et de l'exploitation de ce préparateur d'eau chaude sanitaire, ou bien si vous avez besoin de manuels d'installation supplémentaires, merci de contacter le numéro de téléphone de l'assistance technique (voir la dernière page).

2.3 Précautions de sécurité



DANGER Blessure
Lisez et respectez la présente notice.
Le non-observation de cette notice peut entraîner des blessures très graves, voire la mort.



Dommages sur l'appareil et sur l'environnement
L'appareil doit être installé par un installateur agréé. L'installation doit satisfaire à toutes les prescriptions nationales, régionales et locales.
La maintenance de l'appareil doit être effectuée par un installateur qualifié.



DANGER Électrocution
Avant d'effectuer les travaux d'installation, de paramétrage, de modification ou de maintenance sur cet appareil, coupez tous les disjoncteurs et sectionneurs de l'alimentation électrique de l'appareil.
La non-observation de ces consignes peut entraîner des blessures très graves, voire la mort.



DANGER Électrocution
Ne retirez le capot de l'appareil qu'une fois l'alimentation électrique de l'appareil coupée. La non-observation de cette consigne peut entraîner des blessures, voire la mort.



DANGER Électrocution
L'appareil doit être relié correctement à la terre. L'absence de liaison à la terre du produit peut entraîner des blessures très graves, voire la mort.



DANGER Brûlures
L'eau à des températures supérieures à 52 °C (125 °F) peut entraîner des brûlures immédiates graves, voire la mort par ébullition.



AVERTISSEMENT Risque de blessures
Si des enfants ou des personnes aux capacités physiques, sensorielles ou mentales réduites sont autorisées à utiliser cet appareil, il convient de s'assurer qu'ils l'utilisent uniquement quand ils sont supervisés ou s'ils ont été instruits par la personne responsable de leur sécurité.
Veillez à ce que les enfants ne jouent pas avec l'appareil.

2.4 Label de conformité

Voir la plaque signalétique de l'appareil.

Le chauffe-eau DHC sans accumulateur diffère à plusieurs égards des chauffe-eau conventionnels à ballon d'eau chaude. Il ne stocke pas d'eau chaude. En fait, l'eau est chauffée instantanément lorsqu'elle passe dans l'appareil. Les puissants éléments chauffants sont activés par un commutateur de débit lorsque l'eau est tirée d'un robinet d'eau chaude relié au DHC. Comme il n'y a pas de perte due à la réserve d'eau, le DHC a une plus grande efficacité énergétique que les chauffe-eau à accumulation.

La température de l'eau chaude fournie par le DHC dépend de la puissance de l'élément chauffant, de la température de l'eau froide d'arrivée et du débit de l'eau à travers l'appareil. Afin que le DHC fonctionne correctement, il doit répondre exactement à son application.

Au cas où vous auriez des questions sur la manière dont vous prévoyez d'utiliser le DHC, n'hésitez pas à appeler notre service technique au n° 800-582-8423 (USA et Canada). Pour le service après-vente dans les autres pays, appelez nous au n° 413-247-3380 aux USA, vous pouvez aussi nous envoyer un e-mail à l'adresse info@stiebel-eltron-usa.com ou nous envoyer un fax au n° suivant: 413-247-3369.

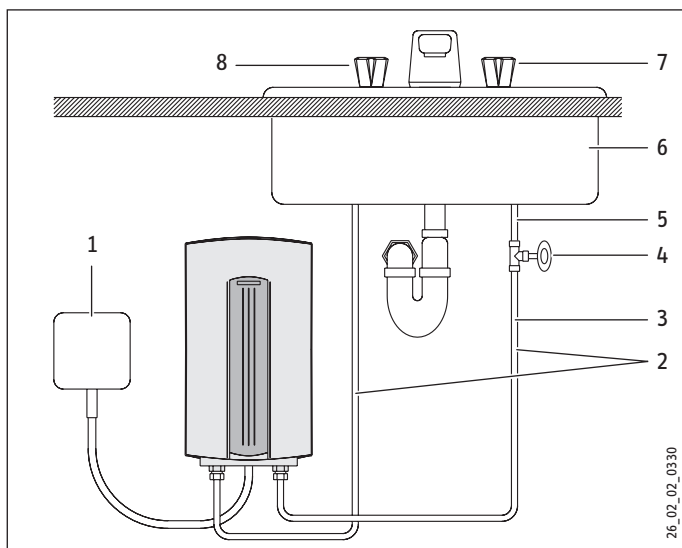
Le DHC peut être utilisé pour se laver les mains, aux USA et au Canada:

- Lavabos dans les toilettes de locaux commerciaux / industriels et d'habitations
- Cuisines dans les locaux commerciaux / industriels et les habitations
- Cabines
- Usages spéciaux dans les magasins de développement de photos, les laboratoires, etc.

Le DHC peut aussi être utilisé pour des appartements entiers et des habitations dans des zones à climat chaud comme dans la région des caraïbes, l'Amérique Centrale et le Mexique en raison des températures d'eau ambiante plus élevées.

INSTALLATION

3. Montage de l'appareil



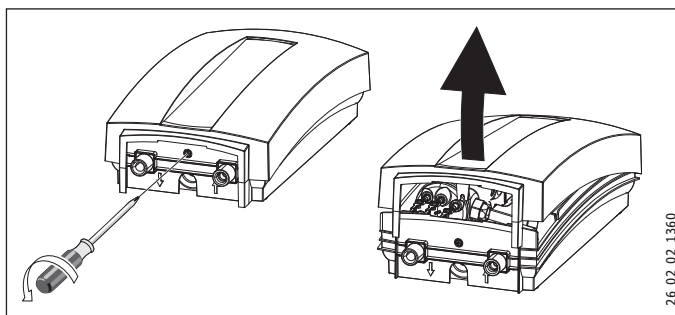
- 1 Boîte de raccordement électrique
- 2 Conduite d'alimentation en eau pour installation à robinet
- 3 T de réduction 3/8"
- 4 Vanne de fermeture
- 5 Tuyau principal 1/2"
- 6 Evier
- 7 Robinet d'eau (droit)
- 8 Robinet d'eau (gauche)



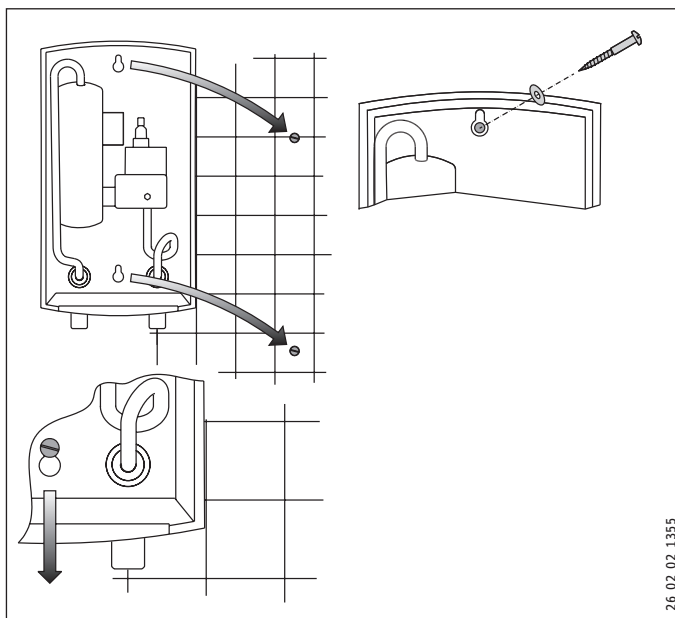
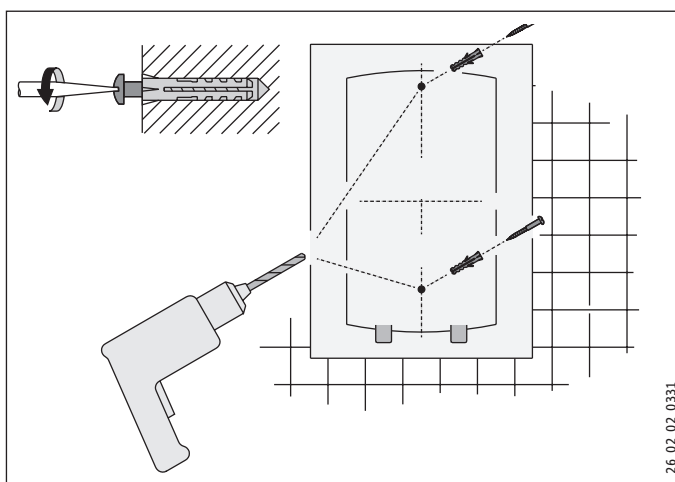
DANGER Électrocution

L'APPAREIL DOIT ÊTRE INSTALLÉ EN POSITION VERTICALE AVEC LES SORTIES D'EAU DIRIGÉES VERS LE BAS. NE PAS INSTALLER L'APPAREIL À UN ENDROIT OU IL SERAIT RÉGULIÈREMENT ECLABOUSSE. UN CHOC ÉLECTRIQUE POURRAIT EN RÉSULTER.

1. Installer le DHC aussi près que possible du point de tirage d'eau chaude, par exemple directement en dessous de l'évier ou juste à côté de la cabine de douche.
2. Installer le DHC dans une zone non exposée au gel. En cas de risque de gel, enlever l'appareil avant l'apparition des températures négatives.
3. Laisser un minimum de 5" d'espace libre sur tous les côtés pour la maintenance.
4. Enlever le cache en plastique.



5. Fixer solidement l'appareil en faisant coulisser les trous de montage sur les deux vis préalablement fixées au mur. Les vis et les chevilles en plastique pour montage sur maçonnerie ou bois sont fournies.



4. Raccordements d'eau

1. Tout le travail de plomberie doit répondre aux normes de plomberie nationales et locales applicables.
2. Une vanne de réduction de pression doit être installée si la pression d'alimentation d'eau froide dépasse 150 PSI (10 bar).
3. Assurez-vous que la conduite d'alimentation d'eau froide a été purgée pour enlever tout dépôt ou saleté.

INSTALLATION

RACCORDEMENT ÉLECTRIQUE

4. Installer une vanne d'isolation dans la conduite d'eau froide comme le montre l'illustration. Cela permet à l'appareil d'être isolé pour des opérations de maintenance.
5. Le raccordement d'eau froide (entrée) est situé du côté droit de l'appareil, le raccordement d'eau chaude (sortie) est situé du côté gauche de l'appareil.



Remarque

UNE CHALEUR EXCESSIVE DE SOUDAGE SUR LES TUYAUX DE CUIVRE A PROXIMITÉ DU DHC PEUT CAUSER DES DÉGÂTS.

6. Les chauffe-eau sans accumulateur tels que le DHC n'ont pas besoin d'être équipés d'une vanne de décharge de température et de pression. Si l'inspecteur local n'agrée pas l'installation sans cette vanne, la vanne devra être installée du côté de la sortie d'eau chaude de l'appareil.
7. Si vous faites un branchement à un tuyau d'eau d'1/2", soudez un adaptateur femelle conique de 1/2" NPT avec du cuivre aux extrémités des conduites d'eau froide et d'eau chaude. Si vous faites un branchement à un tuyau d'eau de 3/8", utilisez un tuyau femelle d'1/2" fileté avec un adaptateur de réduction de 3/8". Les raccords flexibles tressés conviendront également. Connectez les conduites d'eau froide et d'eau chaude à l'appareil.
8. Lorsque tout le travail de plomberie est terminé, chercher les fuites et prendre une action corrective avant d'aller plus loin.

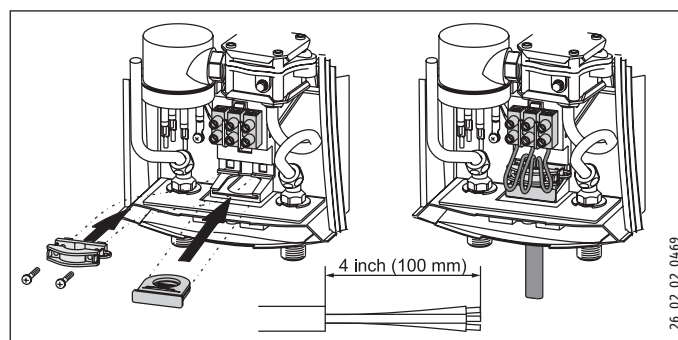
5. Raccordement électrique



DANGER Électrocution

AVANT DE COMMENCER TOUTE OPERATION SUR L'INSTALLATION ELECTRIQUE, S'ASSURER QUE L'INTERRUPTEUR DU DISJONCTEUR PRINCIPAL EST EN POSITION "ARRET" POUR EVITER TOUT RISQUE D'ELECTROCUTION. TOUTES OPERATIONS DE MONTAGE ET DE PLOMBERIE DOIVENT ETRE TERMINEES AVANT DE PROCEDER A L'ASSEMBLAGE ELECTRIQUE. SI LES NORMES ELECTRIQUES LOCALES OU NATIONALES L'EXIGENT, LE CIRCUIT DOIT ETRE EQUIPE D'UN "INTERRUPTEUR DE TERRE".

1. Toutes les opérations électriques doivent répondre aux normes électriques nationales et locales applicables.
2. Le DHC doit être relié à un circuit de branchement dédié, correctement mis à la terre et d'une tension adéquate. Dans les installations ayant plusieurs DHC, chaque unité a besoin d'un circuit indépendant. Se référer au tableau de caractéristiques techniques pour la bonne taille des câbles et du coupe-circuit.
3. Le câble doit être alimenté à travers le joint de caoutchouc situé entre les branchements de l'eau chaude et de l'eau froide. Ensuite, faire passer le câble à travers le collier de serrage et resserrer le collier sur le câble. Les extrémités dénudées des câbles doivent être insérées dans les fentes sur le bloc terminal marqué N et L (pour le DHC 3-1 seulement) ou L et L (pour toutes les autres versions). Le conducteur de terre doit être inséré dans la fente identifiée par le symbole de la terre.
4. Réinstaller le cache en plastique.



26_02_02_0469

FRANÇAIS



DANGER Électrocution

COMME AVEC N'IMPORTE QUEL APPAREIL ELECTRIQUE, L'ABSENCE DE MISE A LA TERRE PEUT ENTRAÎNER LA MORT

6. Mise en œuvre du chauffe-eau



ATTENTION

OUVRIRE LE ROBINET D'EAU CHAUDE QUELQUES MINUTES AVANT QUE LE DÉBIT D'EAU SOIT CONTINU ET QUE TOUT L'AIR SOIT PURGÉ DES CANALISATIONS D'EAU. LE CACHE EN PLASTIQUE DE L'APPAREIL DOIT ÊTRE INSTALLÉ AVANT QUE LE DISJONCTEUR SOIT MIS EN POSITION DE MARCHÉ.

1. Mettre le disjoncteur en position de "marche" pour amener l'électricité à l'appareil.
2. Ouvrir le robinet d'eau chaude à un degré tel que l'écoulement d'eau soit "typique" c'est-à-dire avant que l'écoulement d'eau soit le même que celui qu'on rencontre en utilisation normale.
3. Attendre vingt secondes jusqu'à ce que la température soit stabilisée. Ensuite, vérifier la température de l'eau. Si la température est trop basse, le débit d'eau doit être réduit. Pour ce faire, fermer le disjoncteur de l'appareil, enlever le cache et tourner la vis de réglage de débit, montrée dans l'illustration, d'un 1/2 tour (à 180 degrés) dans le sens horaire. Ensuite, réinstaller le cache en plastique, remettre le disjoncteur en position "marche" et vérifier la température de l'eau. Cette procédure doit être répétée jusqu'à ce que la température désirée soit atteinte. Au cas où la température de l'eau est trop élevée, tourner de la même manière la vis de réglage de débit dans le sens anti-horaire jusqu'à ce que la température désirée soit atteinte. Les flèches dans l'illustration se réfèrent à la température de l'eau.
4. Afin d'obtenir le contrôle de la température sur un robinet unique de type mitigeur, limiter le débit d'eau froide au robinet en fermant partiellement la vanne de fermeture d'eau froide sous l'évier jusqu'à ce que les débits d'eau froide et d'eau chaude soient approximativement les mêmes.

7. Maintenance normale

Les chauffe-eau DHC de STIEBEL ELTRON sont conçus pour une très longue durée de vie. La durée de vie réelle escomptée va varier avec la qualité et l'utilisation de l'eau. L'appareil lui-même ne nécessite pas de maintenance régulière. Cependant, pour assurer un écoulement d'eau homogène, il est recommandé d'enlever périodiquement les dépôts et saletés qui peuvent se constituer sur l'évent du robinet ou dans la pomme de douche. Le DHC a

INSTALLATION

CARACTÉRISTIQUES TECHNIQUES

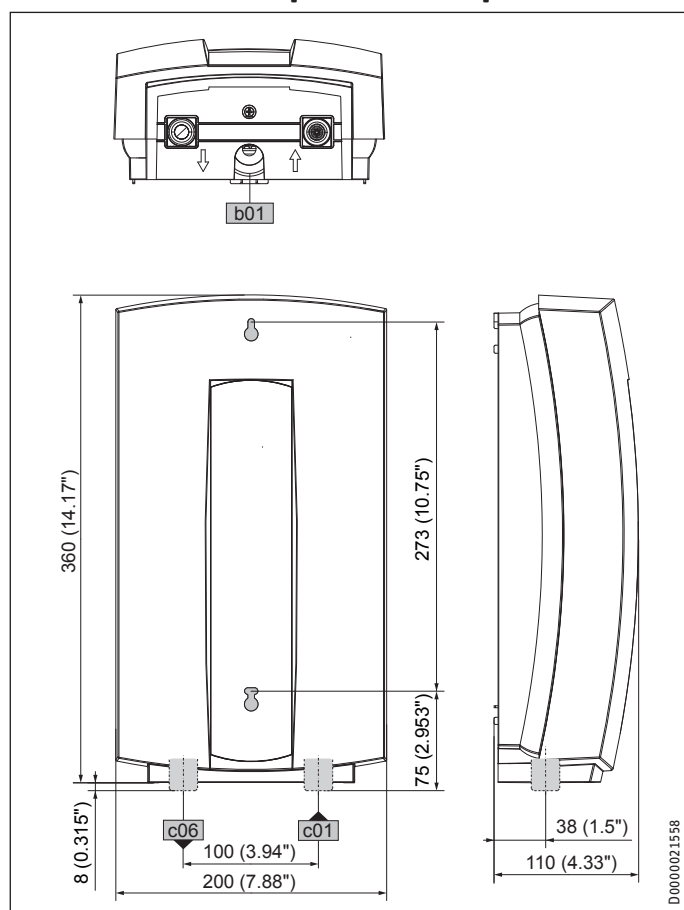
aussi un écran de filtrage intégré qui doit être nettoyé de temps en temps. Pour ce faire, fermer l'alimentation d'eau froide à la vanne d'isolation et enlever le conducteur de mise à la terre. Tourner le tube d'alimentation d'eau froide dans le sens anti-horaire à 90° et tirer vers le fond de l'appareil. Nettoyer le filtre et remettre dans leur position d'origine le filtre, le tube d'alimentation d'eau froide et le conducteur de mise à la terre. S'assurer que le conducteur de mise à la terre est réinstallé et que la vis de mise à la terre est bien serrée après cette procédure.



Remarque

MIS À PART LE FILTRE, LE DHC NE CONTIENT AUCUNE PIÈCE NECESSITANT UN ENTRETIEN PARTICULIER. EN CAS DE MAUVAIS FONCTIONNEMENT, CONTACTER UN PLOMBIER OU UN ÉLECTRICIEN PROFESSIONNEL.

8. Caractéristiques techniques



b01	Câble d'alimentation secteur		
c01	Raccord d'eau froide	" NPT	1/2
c06	Raccord d'eau chaude sanitaire	" NPT	1/2

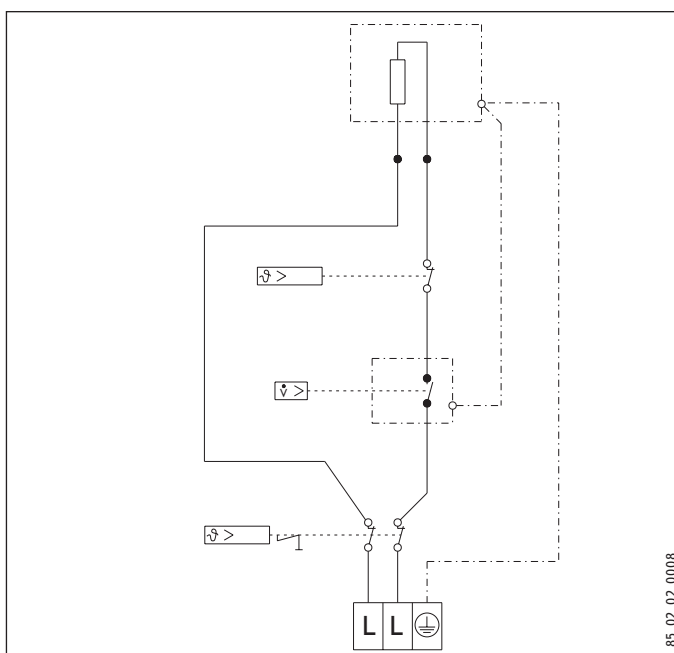
8.1 Wiring diagram

DHC 3-2, DHC 4-2, DHC 5-2

2/GRD ~ 208 / 240V

DHC 4-3

2/GRD ~ 277V



DHC 6-2, DHC 8-2, DHC 10-2

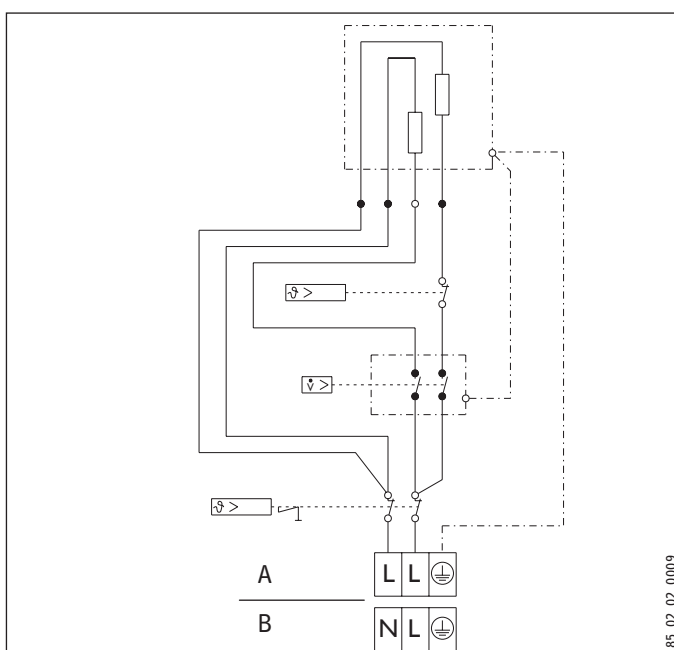
A 2/GRD ~ 208 / 240V

DHC 9-3

A 2/GRD ~ 277V

DHC 3-1

B 1/N/GRD ~ 120V



8.2 Tableau de données

Modèle		DHC 3-1		DHC 3-2		DHC 4-2		DHC 4-3		DHC 5-2		DHC 6-2		DHC 8-2		DHC 9-3		DHC 10-2	
		074050	074052	074053	074051	074054	074424	074055	232204	074056									
Voltage	V	120	208	240	208	240	277	208	240	208	240	208	240	277	208	240	277	208	240
Phase		1	1	1	1	1	1	1	1	1	1	1	1	1	1	1	1	1	1
Puissance	kW	3.0	2.5	3.5	2.9	3.8	4.5	3.6	4.8	4.5	6.0	5.4	7.2	9.0	7.2	9.6			
Intensité	A	25	12	14	14	16	17	18	20	22	25	26	30	32.5	35	40			
Taille minimale nécessaire du disjoncteur	A	30	15	20	20	20	20	30	30	30	30	30	40	40	50	50			
Taille des fils de cuivre	AWG cuivre	10	14	12	12	12	12	10	10	10	10	8	8	8	8	8			
Ecoulement d'eau minimum pour activer l'appareil	GPM / l/min	0.32 / 1.2	0.32 / 1.2	0.42 / 1.6	0.42 / 1.6	0.42 / 1.6	0.42 / 1.6	0.48 / 1.8	0.69 / 2.6	0.79 / 3.0	0.79 / 3.0								
Perte de pression dans l'appareil	PSI / bar	2.88 / 0.23	2.88 / 0.23	2.88 / 0.23	2.88 / 0.23	2.88 / 0.23	2.88 / 0.23	2.88 / 0.23	3.13 / 0.25	3.75 / 0.30	3.75 / 0.30								
Volume d'eau nominal	GAL / l	0.13 / 0.5	0.13 / 0.5	0.13 / 0.5	0.13 / 0.5	0.13 / 0.5	0.13 / 0.5	0.13 / 0.5	0.13 / 0.5	0.13 / 0.5	0.13 / 0.5								
Pression de travail maximale	PSI / bar	150 / 10	150 / 10	150 / 10	150 / 10	150 / 10	150 / 10	150 / 10	150 / 10	150 / 10	150 / 10								
Testée à la pression	PSI / bar	300 / 20	300 / 20	300 / 20	300 / 20	300 / 20	300 / 20	300 / 20	300 / 20	300 / 20	300 / 20								
Poids	libres / kg	4.6 / 2.1	4.6 / 2.1	4.6 / 2.1	4.6 / 2.1	4.6 / 2.1	4.6 / 2.1	5.3 / 2.4	5.3 / 2.4	5.3 / 2.4	5.3 / 2.4								
Branchements d'eau	" NPT	1/2	1/2	1/2	1/2	1/2	1/2	1/2	1/2	1/2	1/2								

FRANÇAIS

- Convenant pour l'alimentation en eau froide
- Les chauffe-eau sans accumulateur sont considérés comme charge non continue
- Les conducteurs doivent être calibrés pour maintenir une chute de tension de moins de 3% sous charge

9. Elévation de température au delà de la température ambiante de l'eau

Typ / Type	kW	[°F]									
		GPM (galones per minute)									
		0.32	0.42	0.48	0.5	0.69	0.75	0.79	1.0	1.5	2.0
DHC 3-1	3.0	65	49	43	41	30	27	26	20	14	10
DHC 3-2	2.5	54	40	35	34	25	23	21	17	11	9
	3.3	71	53	47	45	33	30	28	22	15	11
DHC 4-2	2.9	-	47	41	40	29	26	25	20	13	10
	3.8	-	61	54	52	38	35	33	26	17	13
DHC 4-3	4.5	-	73	64	61	45	41	39	31	20	15
DHC 5-2	3.6	-	58	51	49	36	33	31	25	16	12
	4.8	-	77	68	65	48	44	41	33	22	16
DHC 6-2	4.5	-	-	64	61	45	41	39	31	20	15
	6.0	-	-	85	82	60	55	52	41	27	20
DHC 8-2	5.4	-	-	-	-	54	49	46	37	25	18
	7.2	-	-	-	-	71	65	62	49	33	25
DHC 9-3	9.0	-	-	-	-	-	-	77	58	41	31
DHC 10-2	7.2	-	-	-	-	-	-	62	49	33	25
	9.6	-	-	-	-	-	-	82	65	44	33

Débit d'eau minimum pour activer l'appareil

Typ / Type	kW	[°C]									
		l/min									
		1.2	1.6	1.8	2.0	2.6	3.0	4.0	5.0	7.5	
DHC 3-1	3.0	36	27	24	22	17	14	11	9	6	
DHC 3-2	2.5	30	22	20	18	14	12	9	7	5	
	3.3	39	30	26	24	18	16	12	9	6	
DHC 4-2	2.9	-	26	23	21	16	14	10	8	6	
	3.8	-	34	30	27	21	18	14	11	7	
DHC 4-3	4.5	-	40	36	32	25	22	16	13	9	
DHC 5-2	3.6	-	32	29	26	20	17	13	10	7	
	4.8	-	43	38	34	26	23	17	14	9	
DHC 6-2	4.5	-	-	36	32	25	22	16	13	9	
	6.0	-	-	48	43	33	29	22	17	11	
DHC 8-2	5.4	-	-	-	-	30	26	19	15	10	
	7.2	-	-	-	-	40	34	26	21	14	
DHC 9-3	9.0	-	-	-	-	-	43	32	26	17	
DHC 10-2	7.2	-	-	-	-	-	34	26	21	14	
	9.6	-	-	-	-	-	46	34	28	18	

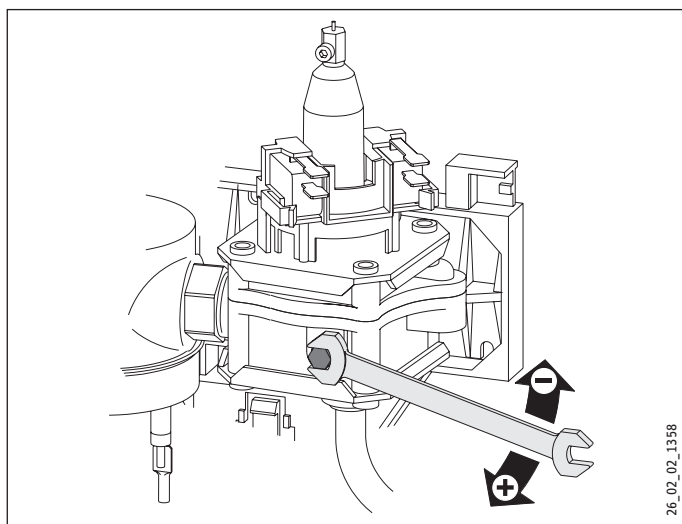
Débit d'eau minimum pour activer l'appareil

10. Dépannage

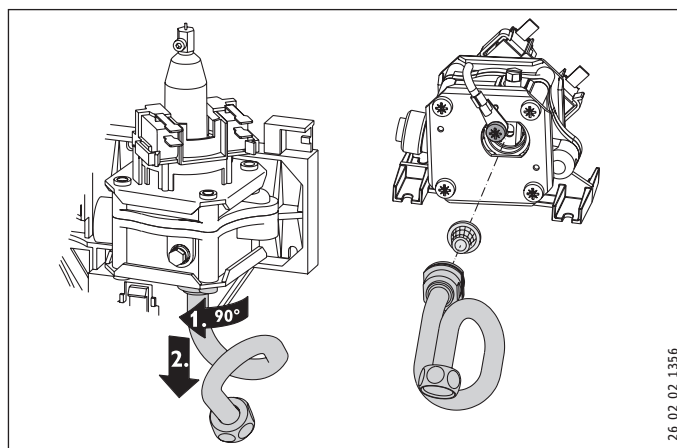
Symptôme	Cause possible	Solution
Pas d'eau chaude mais on entend un cliquetis quand l'eau est ouverte	disjoncteur fermé	mettre le disjoncteur en marche.
	le disjoncteur de sécurité s'est déclenché	réarmer le disjoncteur.
Pas d'eau chaude et on n'entend pas de cliquetis quand l'eau est ouverte	l'écoulement d'eau est trop bas pour activer le commutateur de débit	nettoyer l'évent du robinet.
		ouvrir complètement la vanne de fermeture.
		ouvrir la vis de réglage de débit.
L'eau n'est pas assez chaude	écoulement d'eau trop haut	nettoyer le filtre sur l'appareil DHC.
		réduire l'écoulement d'eau, fermer la vis de réglage de l'écoulement.
		tension trop basse

Si vous n'arrivez pas à résoudre un problème, contactez nous en appelant le numéro gratuit 800-582-8423 avant d'enlever l'appareil du mur. STIEBEL ELTRON est heureuse de vous fournir son assistance technique. Dans la plupart des cas, il s'agit d'un problème que nous pouvons résoudre par téléphone.

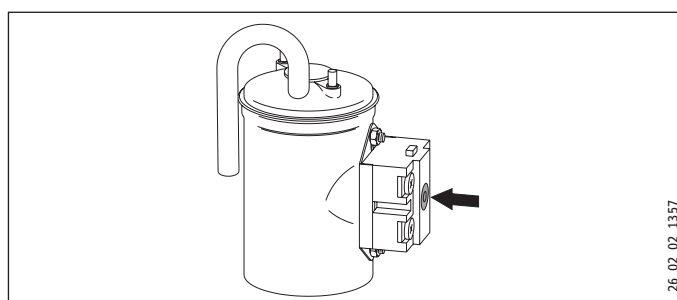
Réglage du débit



Nettoyage du filtre

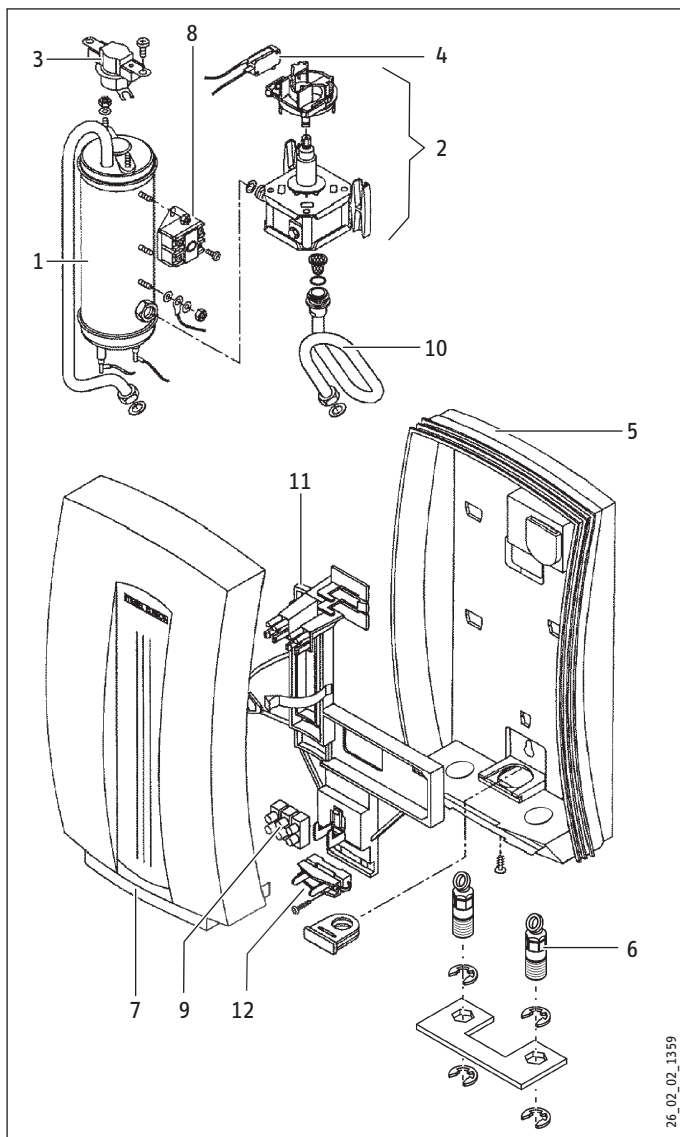


Bouton de réarmement du disjoncteur de sécurité



11. Pièces de rechange

N°	de pièce de rechange	DHC 3-1	DHC 3-2	DHC 4-2	DHC 4-3	DHC 5-2	DHC 6-2	DHC 8-2	DHC 9-3	DHC 10-2
1	Système de chauffage	165889	167769	167770	165890	167771	171117	167772	296874	167773
2	Commutateur de débit	165273	165273	162162	162162	162162	171105	162164	162465	162165
3	Thermostat	162472	162472	162472	162472	162472	162472	162472	162472	162472
4	Commutateur	168026	168026	168026	168026	168026	168026	168026	168026	168026
5	Carter (arrière)	165891	165891	165891	165891	165891	165891	165891	165891	165891
6	Branchement de plomberie	165893	165893	165893	165893	165893	165893	165893	165893	165893
7	Carter (avant)	165892	165892	165892	165892	165892	165892	165892	165892	165892
8	Disjoncteur thermique de sécurité	162474	162474	162474	162474	162474	162474	162474	162474	162474
9	Bloc de câblage	026010	026010	026010	026010	026010	026010	026010	026010	026010
10	Tube de cuivre	162314	162314	162314	162314	162314	162314	162314	162314	162314
11	Châssis du module	162462	162462	162462	162462	162462	162462	162462	162462	162462
12	Collier de serrage	055754	055754	055754	055754	055754	055754	055754	055754	055754



Environnement et recyclage

Merci de contribuer à la préservation de notre environnement. Après usage, procédez à l'élimination de ces matériaux conformément à la réglementation nationale.

GARANTIE

Garantie applicable aux utilisateurs privés et commerciaux: Stiebel Eltron, Inc. garantit au propriétaire initial que le chauffe-eau instantané électrique DHC est exempt de défauts de fabrication et de matériaux pendant une période de trois (3) ans à compter de la date d'achat, et sans fuite pour une période de sept (7) ans à compter de la date d'achat. En cas de défaut avéré d'une ou plusieurs pièces lors d'une utilisation normale durant cette période, Stiebel Eltron, Inc. n'est responsable que du remplacement de la ou des pièces défectueuses. Stiebel Eltron, Inc. n'est pas responsable des frais de main-d'œuvre découlant de la dépose et/ou du remplacement de la ou des pièces défectueuses ni des éventuels frais accessoires ou indirects.

Si le propriétaire souhaite renvoyer le chauffe-eau instantané électrique pour réparation, il doit d'abord obtenir l'autorisation écrite de Stiebel Eltron, Inc. Le propriétaire sera tenu de produire la preuve de la date d'achat et de supporter tous les frais de transport inhérents au renvoi de la ou des pièces défectueuses ou du chauffe-eau instantané électrique pour réparation ou remplacement. La garantie ne couvre pas les installations ou utilisations incorrectes du chauffe-eau ni les modifications de conception éventuelles.

STIEBEL ELTRON, INC.

17 West Street
West Hatfield, MA 01088, USA

PHONE: 800-582-8423 or 413-247-3380

FAX: 413-247-3369

E-Mail info@stiebel-eltron-usa.com

www.stiebel-eltron-usa.com

OPERACIÓN

1.	Indicaciones generales	18
1.1	Indicaciones para el cableado:	18
1.2	Otras marcas presentes en este documento	18
2.	Seguridad	18
2.1	Uso previsto	19
2.2	Información general	19
2.3	Medidas de seguridad	19
2.4	Sello de certificación	19
3.	General	19

INSTALACIÓN

4.	Instalación física	20
5.	Conexión de agua	20
6.	Conexión	21
7.	Operación de la unidad	21
8.	Mantenimiento	21
9.	Datos técnicos	22
9.1	Diagrama eléctrico	22
9.2	Tabla de especificaciones	23
10.	Aumento de temperatura del agua	23
11.	Resolución de incidencias (troubleshooting)	24
12.	Repuestos	24

MEDIO AMBIENTE Y RECICLADO | GARANTIA

OPERACIÓN

1. Indicaciones generales



Indicación

Lea atentamente estas instrucciones antes de utilizar el aparato y familiarícese con sus funciones. Conserve este manual en un lugar seguro. Si entregara este aparato a otros usuarios no olvide incluir el manual.

1.1 Indicaciones para el cableado:

1.1.1 Estructura de las indicaciones de seguridad



ADVERTENCIA de tipo de peligro
Aquí aparecen las posibles consecuencias del desobedecimiento de las indicaciones de seguridad.
► Se indican las medidas necesarias para evitar estos peligros.

1.1.2 Símbolos, tipo de peligro

Símbolo	Tipo de peligro
	Lesión
	Electrocución
	Quemadura o escaldamiento

1.1.3 Palabras clave

PALABRA CLAVE	Descripción
PELIGRO	El desobedecimiento de esta información conlleva graves lesiones o la muerte
ADVERTENCIA	El desobedecimiento de esta información puede conllevar graves lesiones o la muerte
ATENCIÓN	El desobedecimiento de esta información puede conllevar lesiones de mediana gravedad o lesiones leves

1.2 Otras marcas presentes en este documento



Indicación

La indicación está limitada por líneas horizontales sobre y bajo el texto. La información general se señala mediante el símbolo que se muestra a la izquierda.

► Lea atentamente las indicaciones.

Símbolo	Descripción
	Daños en el aparato y al medio ambiente
	Eliminación del aparato

► Este símbolo indica que debe usted hacer algo. Lo que debe hacer se describe en pasos individuales.

2. Seguridad

Observe las siguientes indicaciones y normas de seguridad.

El equipo sólo debe utilizarse después de haber sido instalado completamente y con todos los dispositivos de seguridad.

OPERACIÓN GENERAL

2.1 Uso previsto

El aparato está previsto para el calentamiento del agua potable y puede abastecer un punto de extracción.

El uso fuera de las especificaciones descritas se considera indebido.

Además, el obediencia de las presentes instrucciones forma parte del uso previsto de este aparato.

2.2 Información general

Lea el manual íntegramente. El desobediencia de las normas, instrucciones y reglamentos puede causar lesiones físicas a personas y/o daños materiales. La instalación, ajuste, modificación y mantenimiento incorrectos del presente aparato puede conducir a lesiones físicas considerables.

Este aparato debe ser instalado por un técnico autorizado. La instalación debe cumplir toda la normativa nacional, regional y local. El técnico especializado es responsable de la correcta instalación. El desobediencia de las instrucciones de instalación y operación o el uso indebido conducen a la anulación de la garantía.

Guarde el presente manual para futuras consultas. El técnico especializado debe entregar este manual al usuario.

En caso de cualquier consulta relativa a la instalación, uso u operación del presente calentador o, si fuera preciso en relación a cualquier otro manual de instalación, diríjase al teléfono de servicio técnico (véase última página).

2.3 Medidas de seguridad



PELIGRO de lesiones
Lea y obedezca las siguientes instrucciones.
El desobediencia de esta información puede conllevar graves lesiones o la muerte.



Daños en el aparato y al medio ambiente
Este aparato debe ser instalado por un técnico autorizado. La instalación debe cumplir toda la normativa nacional, regional y local.
El mantenimiento del aparato debe ser realizado por técnicos autorizados.



PELIGRO Electrocutación
Antes de llevar a cabo cualquier tarea de instalación, ajuste, modificación o mantenimiento de este aparato deben desconectarse todos los interruptores de potencia y seccionadores de alimentación eléctrica del aparato. El desobediencia de estas indicaciones puede conllevar graves lesiones o la muerte.



PELIGRO Electrocutación
Sólo podrá retirar la cubierta del aparato si se ha interrumpido la alimentación eléctrica del aparato. El desobediencia de estas indicaciones puede conllevar lesiones físicas o la muerte.



PELIGRO Electrocutación
El aparato debe conectarse a tierra adecuadamente. Si no se conecta a tierra el producto pueden producirse graves lesiones físicas o incluso la muerte.



PELIGRO Quemaduras
Las temperaturas del agua que superen los 125 °F (52 °C) pueden causar quemaduras graves repentinas o incluso la muerte por escaldamiento.



ADVERTENCIA Peligro de lesiones
Si niños o personas con discapacidad física, sensorial o mentalmente, operan el aparato debe asegurarse de que dicha operación se realice después de haber recibido la instrucción adecuada por una persona a su cargo.
En el caso de los niños debe procurar que no jueguen con el aparato.

2.4 Sello de certificación

Consulte la placa de especificaciones del aparato.

3. General

Los calentadores de agua DHC difieren de los calentadores de tanque en muchas maneras. Este calentador no almacena agua caliente. Al contrario, calienta el agua instantáneamente cuando esta fluye a través de la unidad. El poderoso elemento que calienta, es activado solamente cuando se abre una llave de agua caliente la cual esta conectada al sistema alimentado por el calentador.

Usos

Los calentadores eléctricos DHC son ideales para el uso en casas, apartamentos o cabañas en áreas de un clima subtropical y tropical como el Caribe, muchas partes de México, Centro América y América del Sur.

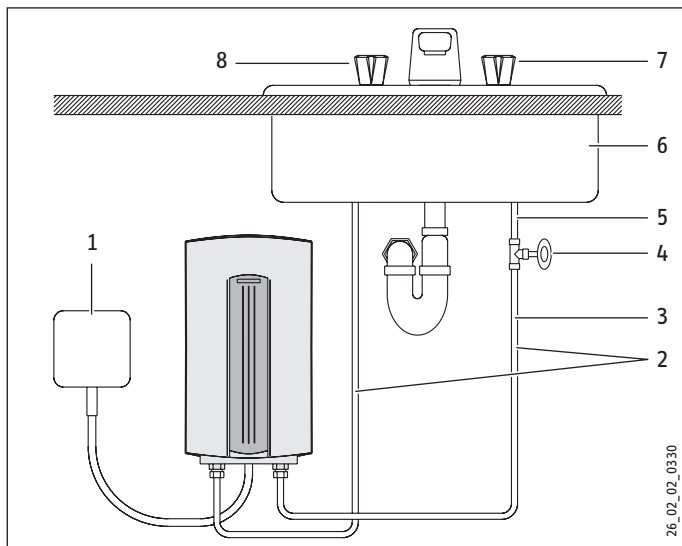
Los modelos DHC ocupan muy poco espacio, son fáciles de instalar y proveen agua caliente continua y sin limite. Se pueden usar con sistemas eléctricos bien sea de 60 Hz o de 50 Hz.

La unidad se activa solo cuando hay demanda para agua caliente, evitando así, consumo y gasto innecesario de energía eléctrica y de agua.

Los importantes ahorros en el consumo de electricidad que ofrecen los modelos DHC pueden llegar hasta un 50 % cuando se comparan con el consumo de los calentadores eléctricos tipo "tanque".

INSTALACIÓN

4. Instalación física

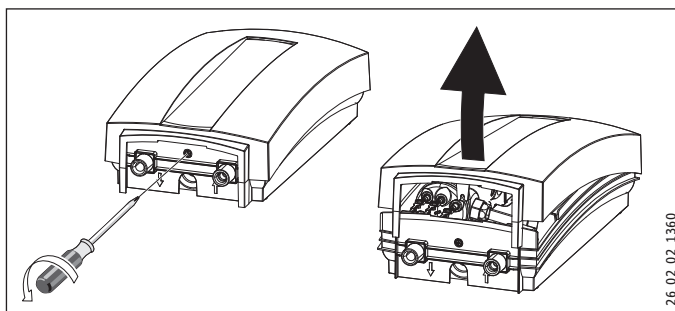


- 1 caja eléctrica
- 2 línea de agua
- 3 entrada a válvula T-3/8"
- 4 válvula de servicio
- 5 reducido a 1/2"
- 6 lavamanos
- 7 válvula de agua fría
- 8 válvula de agua caliente

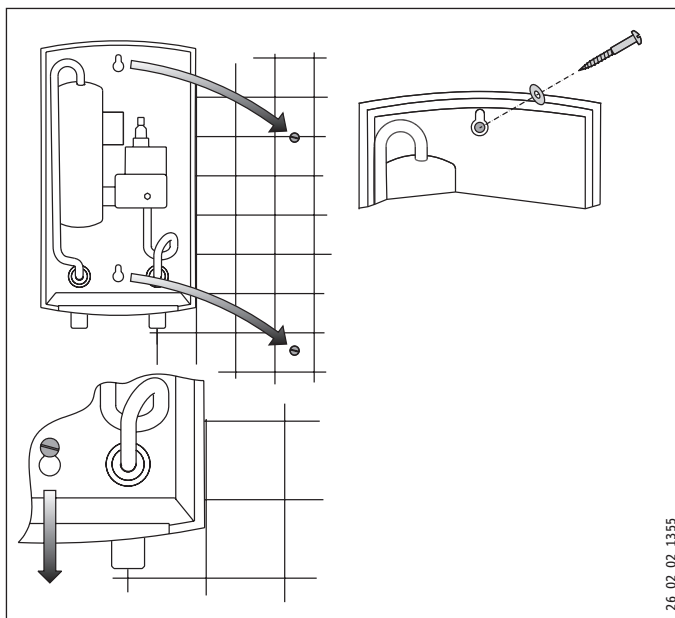
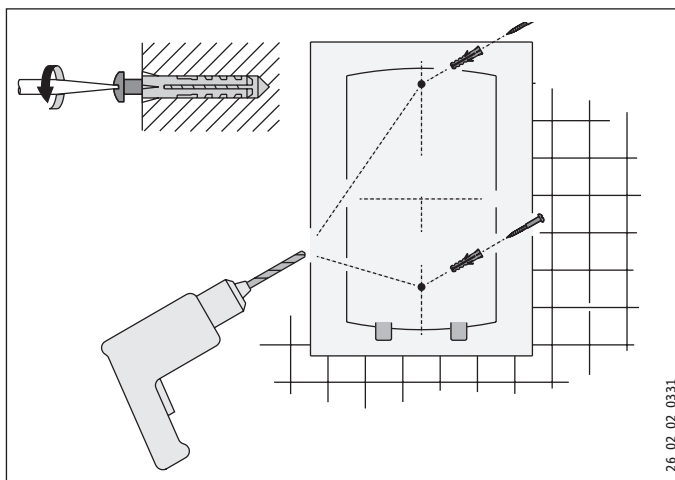


PELIGRO Electrocutación
LA UNIDAD DEBE INSTALARSE EN POSICIÓN VERTICAL
CON LAS CONEXIONES DE AGUA EN LA PARTE DE ABAJO.
NO INSTALE LA UNIDAD DONDE PUEDA MOJARSE, ESTO
PODRÍA OCASIONAR UNA DESCARGA ELÉCTRICA.

1. Todo trabajo de plomería debe cumplir con los códigos de plomería. Nacional y/o Local.
2. Una válvula reductora de presión debe ser instalada si la línea de suministro de agua excede una presión de 150 PSI.
3. Asegúrese de dejar correr el agua por la línea de suministro antes de cualquier conexión para eliminar cualquier depósito o sucio en la misma.
4. Instalar válvula de servicio en línea de suministro de agua. Esto permite aislar la unidad para propósitos de mantenimiento.



5. Conexión de agua de suministro (entrada) es al lado derecho de la unidad. La conexión de agua caliente (salida) debe ser al lado izquierdo de la unidad.



5. Conexión de agua

1. Todo trabajo de plomería debe cumplir con los códigos de plomería. Nacional y/o Local.
2. Una válvula reductora de presión debe ser instalada si la línea de suministro de agua excede una presión de 150 PSI.
3. Asegúrese de dejar correr el agua por la línea de suministro antes de cualquier conexión para eliminar cualquier depósito o sucio en la misma.

INSTALACIÓN

CONEXIÓN

4. Instalar válvula de servicio en línea de suministro de agua. Esto permite aislar la unidad para propósitos de mantenimiento.
5. Conexión de agua de suministro (entrada) es al lado derecho de la unidad. La conexión de agua caliente (salida) debe ser al lado izquierdo de la unidad.



Nota
CALOR EXESIVO DE LAS SOLDADURAS EN LAS LINEAS DE COBRE PUEDE CAUSAR DAÑOS AL CALENTADOR.

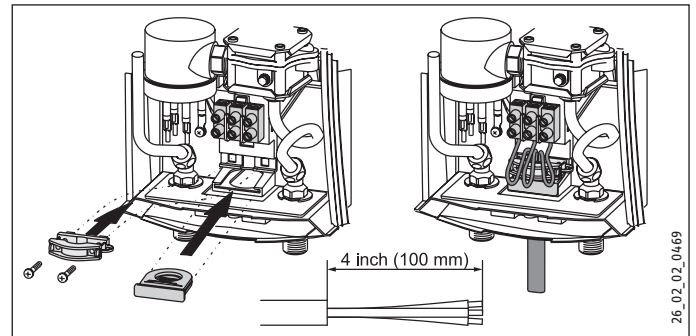
6. El calentador de agua DHC no requiere una válvula de alivio por presión y temperatura (PTRV). Si el inspector la requiere se debe instalarla después de la salida de agua caliente de la unidad.
7. Conectar uniones de 1/2 (media) pulgada NPT a sus respectivas líneas de agua fría o caliente. Proveer reductores cuando estos sean necesarios sin el código de plomería Nacional y/o Local.
8. Cuando finalice el trabajo de plomería verifique si hay goteos y corrija estos antes de proceder.

6. Conexión



PELIGRO Electrocutación
ANTES DE COMENZAR LA INSTALACION ELECTRICA ASEGURESE DE QUE EL INTERRUPTOR TERMOMAGNETICO PRINCIPAL DEL PANEL ELECTRICO ESTE APAGADO PARA EVITAR POSIBLE DESCARGA ELECTRICA.
NOTA: TODA INSTALACION ELECTRICA Y DE PLOMERIA DEBE COMPLETARSE ANTES DE ENCENDER EL INTERRUPTOR TERMOMAGNETICO PRINCIPAL. EL CIRCUITO DEBE SER EQUIPADO CON UN INTERRUPTOR DE CONEXIÓN A TIERRA („GROUND FAULT INTERRUPTER“) CUANDO SEA REQUERIDO POR EL CODIGO ELECTRICO NACIONAL Y/O LOCAL.

1. Todo trabajo eléctrico debe cumplir con las disposiciones del Colegio de Peritos Electricistas y Códigos Nacionales y/o Locales.
2. La unidad DHC debe tener su circuito independiente utilizando tres alambres de cobre de tamaño apropiado y protegido por un interruptor termomagnético (breaker) correctamente seleccionado. Para instalar varias unidades DHC se requiere un circuito independiente para cada una.
3. La cablería debe entrar a la unidad a través del sello de goma localizado en la parte inferior de la misma entre las conexiones de agua fría y caliente. Alimente los cables a través de la abrazadera localizada dentro de la unidad y ajuste esta firmemente contra los cables. Los cables vivos deben ser conectados en los terminales N y L para los modelos DHC 3-1. El DHC 3-2 y en todos los demás modelos los cables vivos deben ser conectados en los terminales L y L (Favor ver diagramas eléctrico).
4. Reinstalar cubierta plástica. El cable de conexión a tierra „ground“ debe ser conectado al terminal marcado con el símbolo de tierra.



PELIGRO Electrocutación
COMO CUALQUIER OTRO APARATO ELECTRICO EL NO CONECTARLO A TIERRA PUEDE RESULTAR EN UNA DESCARGA ELECTRICA, GRAVE LESION Y/O INCLUSO OCASIONAR MUERTE.

7. Operación de la unidad



ADVERTENCIA
ABRA LA LLAVE DE AGUA CALIENTE POR VARIOS MINUTOS HASTA QUE EL FLUJO DE AGUA SEA CONTINUO Y TODO EL AIRE HAYA SALIDO DE LA TUBERIA.
LA COBERTURA PLASTICA DE LA UNIDAD DEBE SER INSTALADA ANTES DE ENCENDER EL „BREAKER“ DEL CIRCUITO.

1. Encender el „breaker“ del circuito para proveer corriente a la unidad. Abrir la llave de agua caliente a un punto típico, o sea, hasta que el flujo de agua sea igual al de uso normal. Espere 60 segundos hasta que la temperatura se estabilice.
2. Probar temperatura del agua, si la temperatura es muy baja, el flujo de agua debe ser reducido. Para reducir el flujo apague el „breaker“ de circuito, remueva cobertura plástica y dele media vuelta (180 grados) en dirección manecillas del reloj („clockwise“) al tornillo de ajuste de flujo.
3. Reinstale cobertura plástica, encienda el „breaker“ y verifique la temperatura del agua nuevamente. Este procedimiento debe repetirse hasta que se obtenga la temperatura de agua deseada. Por lo contrario, si la temperatura de agua es muy alta ajuste el tornillo de flujo, en contra de las manecillas del reloj (counterclockwise) de la misma manera hasta obtener la temperatura deseada.
4. Para obtener control de temperatura con una llave tipo mezcladora, restrinja el flujo de agua fría a la mezcladora cerrando parcialmente la llave de paso de dicha mezcladora hasta tanto el flujo de agua fría y caliente sean aproximadamente iguales.

8. Mantenimiento

Los calentadores de agua Stiebel Eltron DHC están diseñados para una larga y duradera vida de servicio. La vida útil del equipo depende de la calidad de agua y del uso. La unidad, de por sí, no requiere de ningún tipo de mantenimiento. Sin embargo, para asegurar el flujo de agua se recomienda que se remuevan los depósitos que puedan acumularse en el filtro („aerator“) del lavamanos o en las duchas.

INSTALACIÓN

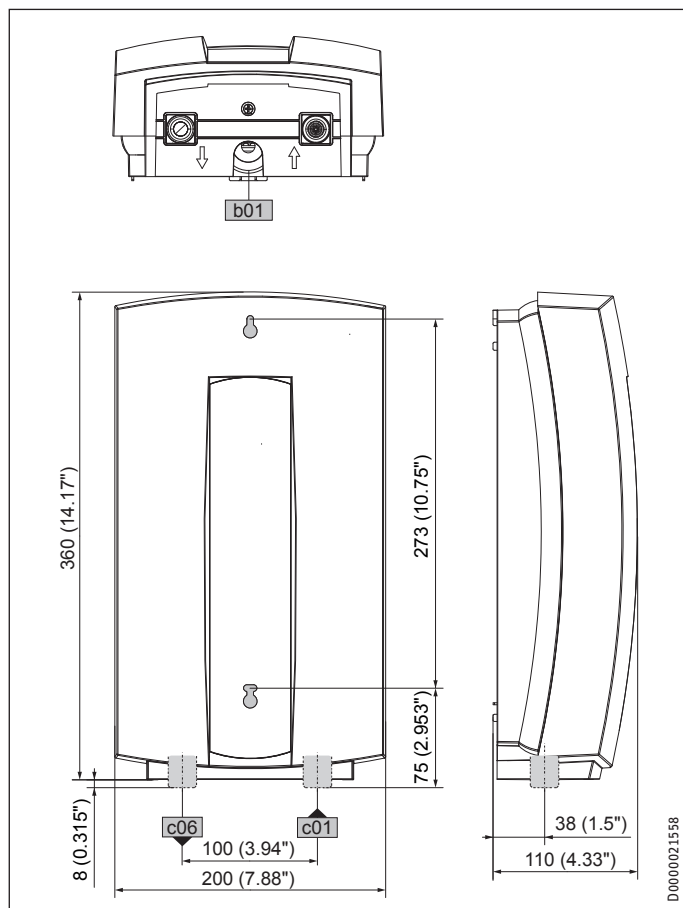
DATOS TÉCNICOS



Nota

EN CASO DE MAL FUNCIONAMIENTO DEL EQUIPO FAVOR SOLICITAR LOS SERVICIOS DE UN PLOMERO O ELECTRICISTA CERTIFICADO. POR FAVOR NO INTENTE REPARARLO USTED MISMO.

9. Datos técnicos



b01	Cable de alimentación		
c01	Conexión de agua fría	" NPT	1/2
c06	Conexión de agua caliente	" NPT	1/2

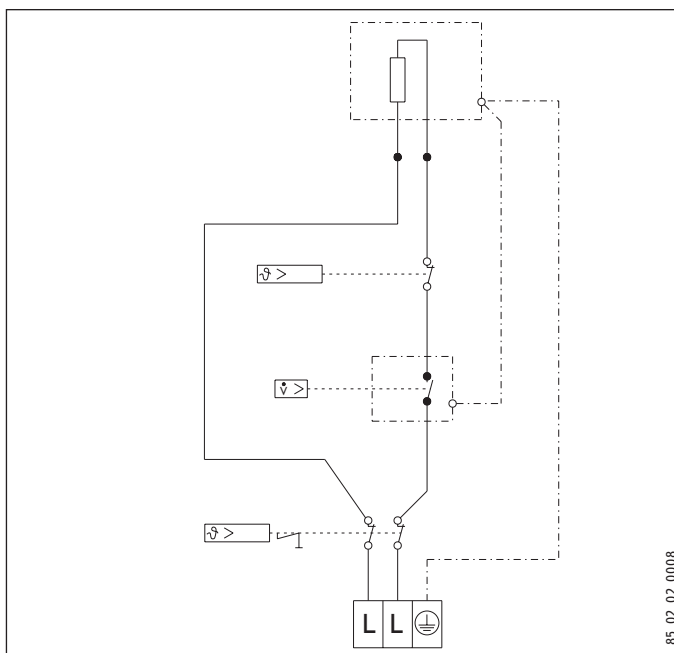
9.1 Diagrama eléctrico

DHC 3-2, DHC 4-2, DHC 5-2

L L ⊕ 2/GRD ~ 208 / 240V

DHC 4-3

L L ⊕ 2/GRD ~ 277V



DHC 6-2, DHC 8-2, DHC 10-2

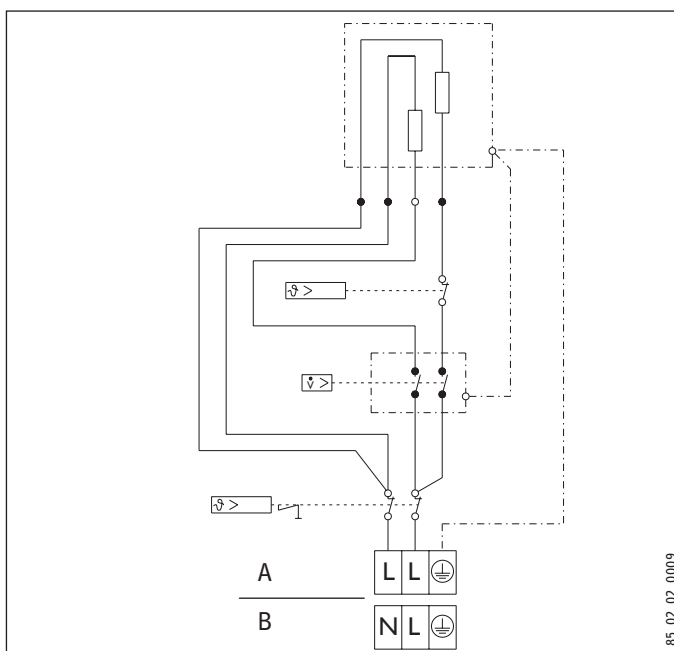
A L L ⊕ 2/GRD ~ 208 / 240V

DHC 9-3

A L L ⊕ 2/GRD ~ 277V

DHC 3-1

B N L ⊕ 1/N/GRD ~ 120V



INSTALACIÓN

AUMENTO DE TEMPERATURA DEL AGUA

9.2 Tabla de especificaciones

Modelo		DHC 3-1		DHC 3-2		DHC 4-2		DHC 4-3		DHC 5-2		DHC 6-2		DHC 8-2		DHC 9-3		DHC 10-2		
		074050		074052		074053		074051		074054		074424		074055		232204		074056		
Voltaje	V	120	208	240	208	240	208	240	277	208	240	208	240	208	240	277	208	240	208	240
Fase		1	1	1	1	1	1	1	1	1	1	1	1	1	1	1	1	1	1	1
Potencia de funcionamiento	kW	3.0	2.5	3.5	2.9	3.8	4.5	3.6	4.8	4.5	6.0	5.4	7.2	9.0	7.2	9.6	9.0	7.2	9.6	9.6
Corriente nominal AMPS	A	25	12	14	14	16	17	18	20	22	25	26	30	32.5	35	40	32.5	35	40	40
Tamaño Mínimo Requerido del Interruptor Auto. „Breaker“	A	30	15	20	20	20	20	30	30	30	30	30	40	40	50	50	40	50	50	50
Sección transversal recomendada	AWG Cobre	10	14	12	12	12	12	10	10	10	10	8	8	8	8	8	8	8	8	8
Min. flujo Req.	GPM / l/min	0.32 / 1.2	0.32 / 1.2	0.42 / 1.6	0.42 / 1.6	0.42 / 1.6	0.42 / 1.6	0.42 / 1.6	0.48 / 1.8	0.69 / 2.6	0.79 / 3.0	0.79 / 3.0	0.79 / 3.0	0.79 / 3.0	0.79 / 3.0	0.79 / 3.0	0.79 / 3.0	0.79 / 3.0	0.79 / 3.0	0.79 / 3.0
Caída en presión	PSI / bar	2.88 / 0.23	2.88 / 0.23	2.88 / 0.23	2.88 / 0.23	2.88 / 0.23	2.88 / 0.23	2.88 / 0.23	2.88 / 0.23	3.13 / 0.25	3.75 / 0.30	3.75 / 0.30	3.75 / 0.30	3.75 / 0.30	3.75 / 0.30	3.75 / 0.30	3.75 / 0.30	3.75 / 0.30	3.75 / 0.30	3.75 / 0.30
Volumen de agua	GAL / l	0.13 / 0.5	0.13 / 0.5	0.13 / 0.5	0.13 / 0.5	0.13 / 0.5	0.13 / 0.5	0.13 / 0.5	0.13 / 0.5	0.13 / 0.5	0.13 / 0.5	0.13 / 0.5	0.13 / 0.5	0.13 / 0.5	0.13 / 0.5	0.13 / 0.5	0.13 / 0.5	0.13 / 0.5	0.13 / 0.5	0.13 / 0.5
Presión máxima	PSI / bar	150 / 10	150 / 10	150 / 10	150 / 10	150 / 10	150 / 10	150 / 10	150 / 10	150 / 10	150 / 10	150 / 10	150 / 10	150 / 10	150 / 10	150 / 10	150 / 10	150 / 10	150 / 10	150 / 10
Presión de prueba	PSI / bar	300 / 20	300 / 20	300 / 20	300 / 20	300 / 20	300 / 20	300 / 20	300 / 20	300 / 20	300 / 20	300 / 20	300 / 20	300 / 20	300 / 20	300 / 20	300 / 20	300 / 20	300 / 20	300 / 20
Peso	lbs / kg	4.6 / 2.1	4.6 / 2.1	4.6 / 2.1	4.6 / 2.1	4.6 / 2.1	4.6 / 2.1	4.6 / 2.1	5.3 / 2.4	5.3 / 2.4	5.3 / 2.4	5.3 / 2.4	5.3 / 2.4	5.3 / 2.4	5.3 / 2.4	5.3 / 2.4	5.3 / 2.4	5.3 / 2.4	5.3 / 2.4	5.3 / 2.4
Conexión de tubería	" NPT	1/2	1/2	1/2	1/2	1/2	1/2	1/2	1/2	1/2	1/2	1/2	1/2	1/2	1/2	1/2	1/2	1/2	1/2	1/2

- Apropiado para el suministro de agua fría
- Calentador instantáneo no admisible para el funcionamiento constante
- Los cables deben dimensionarse de forma que sean capaces de mantener un descenso de tensión de menos del 3% bajo carga.

10. Aumento de temperatura del agua

Typ / Type	kW	[°F]									
		GPM (galones por minuto)									
		0.32	0.42	0.48	0.5	0.69	0.75	0.79	1.0	1.5	2.0
DHC 3-1	3.0	65	49	43	41	30	27	26	20	14	10
DHC 3-2	2.5	54	40	35	34	25	23	21	17	11	9
	3.3	71	53	47	45	33	30	28	22	15	11
DHC 4-2	2.9	-	47	41	40	29	26	25	20	13	10
	3.8	-	61	54	52	38	35	33	26	17	13
DHC 4-3	4.5	-	73	64	61	45	41	39	31	20	15
DHC 5-2	3.6	-	58	51	49	36	33	31	25	16	12
	4.8	-	77	68	65	48	44	41	33	22	16
DHC 6-2	4.5	-	-	64	61	45	41	39	31	20	15
	6.0	-	-	85	82	60	55	52	41	27	20
DHC 8-2	5.4	-	-	-	-	54	49	46	37	25	18
	7.2	-	-	-	-	71	65	62	49	33	25
DHC 9-3	9.0	-	-	-	-	-	-	77	58	41	31
DHC 10-2	7.2	-	-	-	-	-	-	62	49	33	25
	9.6	-	-	-	-	-	-	82	65	44	33

Flujo de agua mínimo para activar la unidad.

Typ / Type	kW	[°C]								
		l/min								
		1.2	1.6	1.8	2.0	2.6	3.0	4.0	5.0	7.5
DHC 3-1	3.0	36	27	24	22	17	14	11	9	6
DHC 3-2	2.5	30	22	20	18	14	12	9	7	5
	3.3	39	30	26	24	18	16	12	9	6
DHC 4-2	2.9	-	26	23	21	16	14	10	8	6
	3.8	-	34	30	27	21	18	14	11	7
DHC 4-3	4.5	-	40	36	32	25	22	16	13	9
DHC 5-2	3.6	-	32	29	26	20	17	13	10	7
	4.8	-	43	38	34	26	23	17	14	9
DHC 6-2	4.5	-	-	36	32	25	22	16	13	9
	6.0	-	-	48	43	33	29	22	17	11
DHC 8-2	5.4	-	-	-	-	30	26	19	15	10
	7.2	-	-	-	-	40	34	26	21	14
DHC 9-3	9.0	-	-	-	-	-	43	32	26	17
DHC 10-2	7.2	-	-	-	-	-	34	26	21	14
	9.6	-	-	-	-	-	46	34	28	18

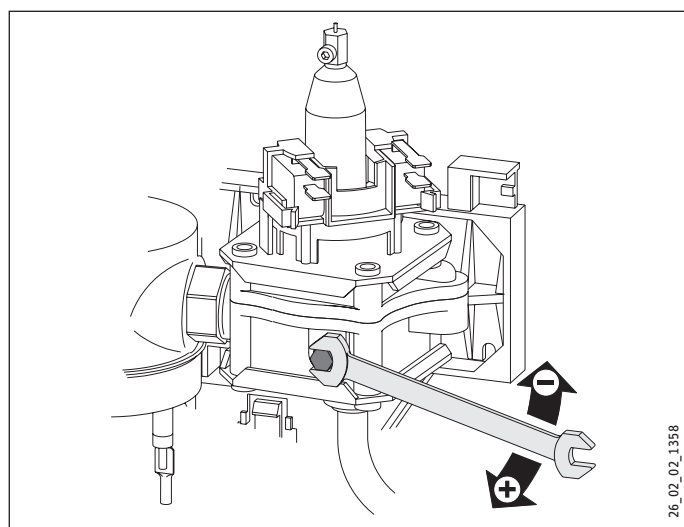
Flujo de agua mínimo para activar la unidad.

11. Resolución de incidencias (troubleshooting)

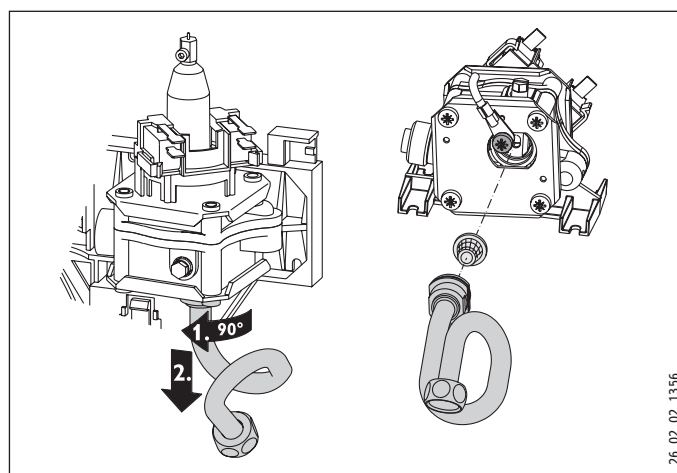
Síntoma	Posible causa	Solución
No hay agua caliente pero se escucha el „click“ al abrir agua caliente.	se cayó el breaker	usar breaker adecuado..
	protección termal activada	oprimir protector termal (botón)
No hay agua caliente y no se oye el „click“.	no hay flujo de agua suficiente para activar unidad	limpiar „aerators“.
		abrir valvula al máximo
		abrir tornillo de ajuste de flujo.
Agua no caliente suficiente	demasiado flujo de agua voltaje muy bajo ó incorrecto	limpie el filtro en el dispositivo.
		disminuir flujo de agua (cerrar tornillo de ajuste.
		suministrar voltaje correcto.

If you are not able to resolve a problem please contact us toll free at 800-582-8423 before removing the unit from the wall. STIEBEL ELTRON is happy to provide technical assistance. In most instances, we can resolve the problem over the phone.

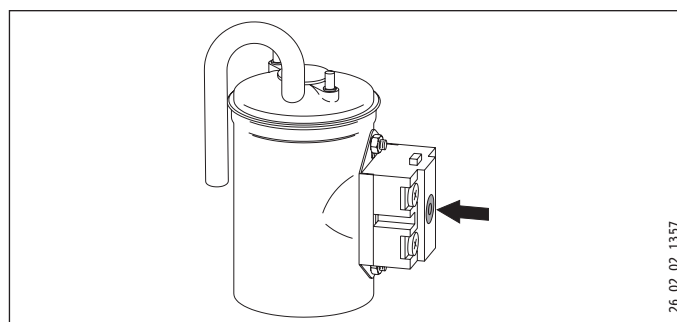
Caudal de paso máximo onfigurar



Rejilla de filtrado

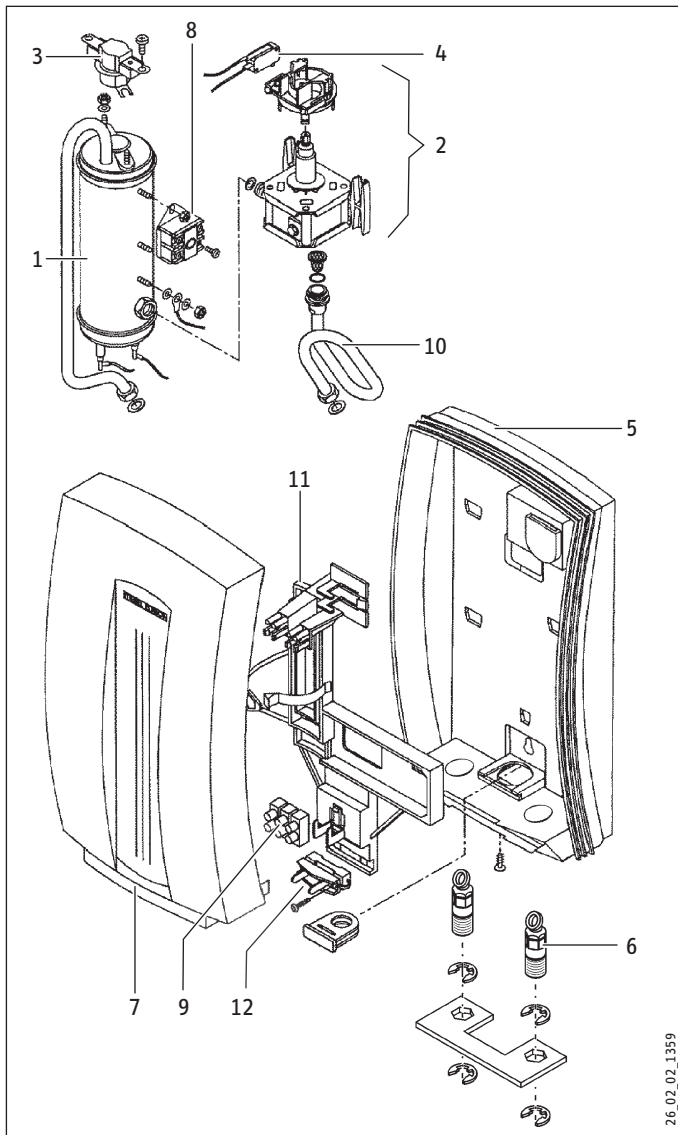


Protección termal con botón de activación



12. Repuestos

No.	Piezas de recambio	DHC 3-1	DHC 3-2	DHC 4-2	DHC 4-3	DHC 5-2	DHC 6-2	DHC 8-2	DHC 9-3	DHC 10-2
1	Sistema de Calentamiento	165889	167769	167770	165890	167771	171117	167772	296874	167773
2	Interruptor de Flujo	165273	165273	162162	162162	162162	171105	162164	162465	162165
3	Termostato	162472	162472	162472	162472	162472	162472	162472	162472	162472
4	Interruptor	168026	168026	168026	168026	168026	168026	168026	168026	168026
5	Caja Exterior (parte trasera)	165891	165891	165891	165891	165891	165891	165891	165891	165891
6	Conexiones de Tubería	165893	165893	165893	165893	165893	165893	165893	165893	165893
7	Caja Exterior (parte delantera)	165892	165892	165892	165892	165892	165892	165892	165892	165892
8	Interruptor de Seguridad (temperatura)	162474	162474	162474	162474	162474	162474	162474	162474	162474
9	Bloque de Alambrado	026010	026010	026010	026010	026010	026010	026010	026010	026010
10	Tubo de Cobre	162314	162314	162314	162314	162314	162314	162314	162314	162314
11	Armazón Interior	162462	162462	162462	162462	162462	162462	162462	162462	162462
12	Abrazadera para Cables Eléctricos	055754	055754	055754	055754	055754	055754	055754	055754	055754



Medio ambiente y reciclado

Colabore para proteger nuestro medio ambiente. Elimine los materiales después de su uso conforme a la normativa nacional vigente.

GARANTIA

Garantía para uso particular y comercial: Stiebel Eltron, Inc. garantiza la mano de obra y las piezas de los calentadores eléctricos sin tanque DHC, por un periodo de tres (3) años a partir de la fecha de compra y libre de fugas por un periodo de siete (7) años a partir de la fecha de compra. En caso que alguna parte o partes se dañen durante este periodo, Stiebel Eltron, Inc. se responsabiliza a cambiar la parte(s) defectuosa(s) únicamente. Stiebel Eltron, Inc. no se hace responsable de los gastos de mano de obra en los que se incurra para quitar y/o reemplazar la(s) parte(s) defectuosa(s), o cualquier gasto accidental o como consecuencia del problema.

En caso que el propietario desee regresar el calentador de agua eléctrico sin tanque para que sea reparado, el propietario debe obtener una autorización por escrito de Stiebel Eltron, Inc. Y estar preparado para probar la fecha de adquisición, así como, pagar por todos los costos de transportación para regresar la(s) parte(s) defectuosa(s) o el calentador de agua para reparación o reemplazo. La garantía será anulada si el calentador de agua ha sido instalado o usado inadecuadamente o si el diseño ha sido alterado de cualquier manera.

STIEBEL ELTRON, INC.

17 West Street
West Hatfield, MA 01088, USA

PHONE: 800-582-8423 or 413-247-3380

FAX: 413-247-3369

E-Mail info@stiebel-eltron-usa.com

www.stiebel-eltron-usa.com

NOTAS

NOTAS

STIEBEL ELTRON, Inc.
17 West Street | 01088 West Hatfield MA
Tel. 0413 247-3380 | Fax 0413 247-3369
info@stiebel-eltron-usa.com
www.stiebel-eltron-usa.com



Subject to errors and technical changes! | Salvo error o modificación técnica! |
Sous réserve d'erreurs et de modifications techniques!

Stand 8643

STIEBEL ELTRON

A 165894-37245-8832