

Deep Depth Gas Powered Convection Ovens



351FGC100DD(L/N), 351FGC20DD(L/N)K

REVISED 10/2024



Contents

Safety Precautions	3
Gas Pressure	3
Whole Assembly Parts List	4
Whole Assembly Diagram	5
Motor Assembly Parts List	6
Motor Assembly Diagram	7
Control Panel Parts List	8
Control Panel Diagram	8
Gas Pipeline Assembly Parts List	9
Gas Pipeline Assembly Diagram	9



Safety Precautions

CAUTION:

- Failure to comply with the following operation instructions could lead to potential hazards and/or unsafe practice and could result in injury and damage to product and property.

NOTICE:

- Local codes regarding installation vary greatly from one area to another. The National Fire Protection Association, Inc., states in its NFPA96 latest edition that local codes are "Authority Having Jurisdiction" when it comes to requirement for installation of equipment. Therefore, installation should comply with all local codes.
- This product is intended for commercial use only. Not for residential use.

WARNING:

- Do not store or use gasoline or other flammable vapors and liquids in the vicinity of this or any other equipment.
- Improper installation, adjustment, alteration, service or maintenance could lead to property damage, injury or death. Read the installation, operating and maintenance instructions thoroughly before installing or servicing CPG equipment. This manual must be retained for future reference.
- A licensed installer must handle all maintenance and repair.

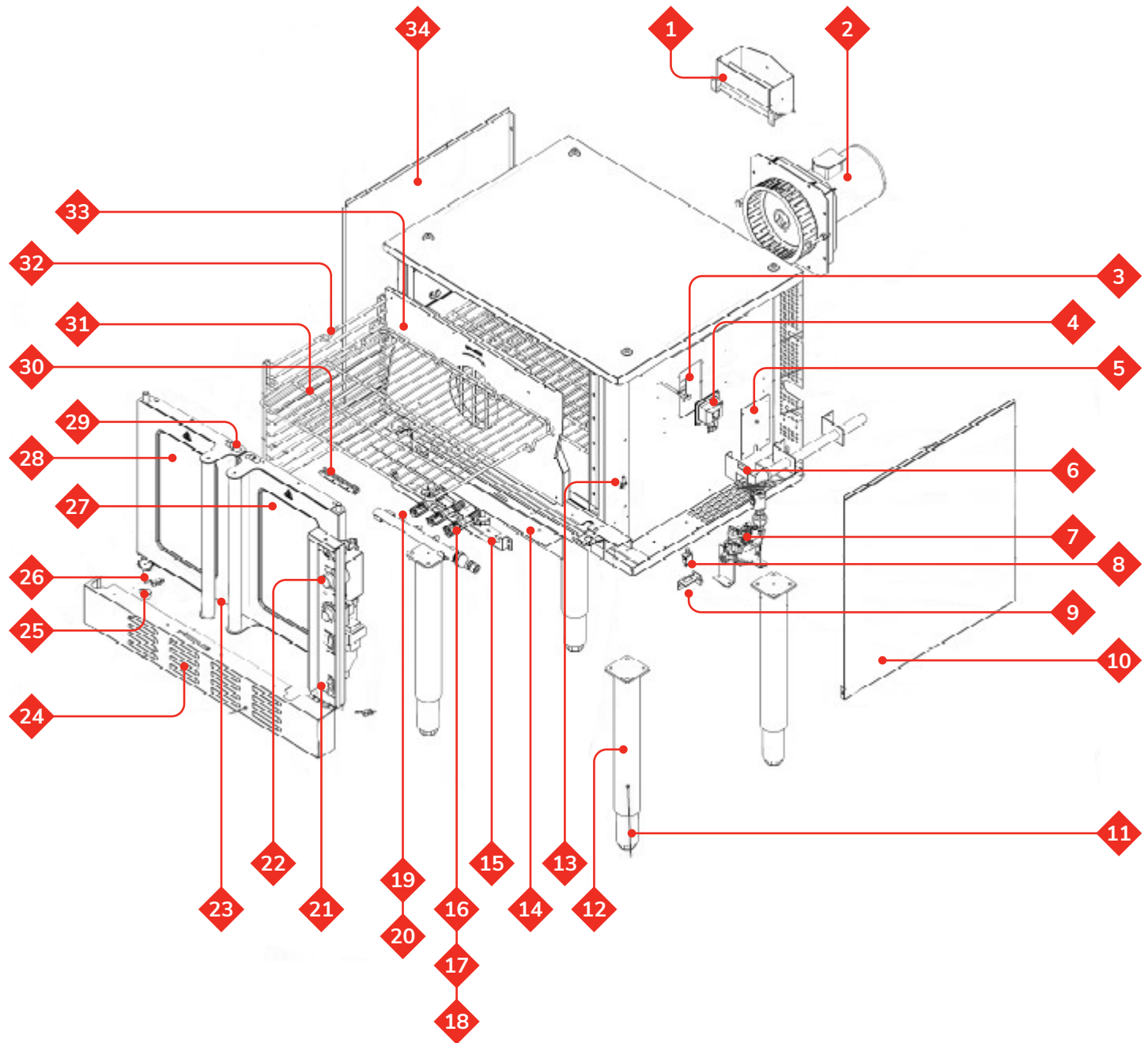
Gas Pressure

- The appliance and its individual shutoff valve (to be supplied by user) must be disconnected from the gas supply piping system during any pressure testing of that system at test pressures in excess of 1/2 PSI (3 .45 kPa).
- The appliance must be isolated from the gas supply piping system by closing its individual manual shut-off valve during any pressure testing of the gas supply piping system at test pressures equal to or less than 1 / 2 PSI (3 .45 kPa)

Whole Assembly

Part #	CPG Item #	Description	QTY
1	-	Flue (Single)	1
2 (A)	-	Motor Assembly	1
3	351170069	Thermocouple	1
4	351130151	Oven Light	1
5	-	Cover Plate	1
6	-	Fixed Plate	1
7 (C)	-	Gas Pipeline Assembly	1
8	351080021	Safety Switch	1
9	-	Fixed Plate(Travel Switch)	1
10	-	Right Side Panel	1
11	351302090088	Adjustable Foot	4
12	351090159	Leg Assembly	4
13	-	Screw	1
14	-	Front Cover Plate	1
15	35165003005	Burner Assembly	1
16	351150177	Burner Orifice-No Hole	3
17	351302150211	1.25mm Burner Orifice-LP	3
18	351302150212	2.00mm Burner Orifice-NAT	3
19	351220129	Flame Sensor	1
20	351170039	Hot Surface Ignitor	1
21 (B)	-	Control Panel Assembly	1
22	351110438	Knob(Temp/Timer)	2
23	35165002060	Left Door Heat Shield	1
24	-	Lower Front Cover Plate	1
25	351201928	Door Shaft Bushing	4
26	351080079	Door Switch	2
27	35165002053	Right Door Assembly	1
28	35165002054	Left Door Assembly	1
29	35165002016	Door Latch/Stopper	2
30	351314490021	Guard Temp. Probe	1
31	351110733	Oven Rack	3
32	351110732	Rack Guide	2
33	35165002009	Fan Cover	1
34	-	Left Side Panel	1
35	35165002129	Aluminum Gas Tube (Not Pictured)	1

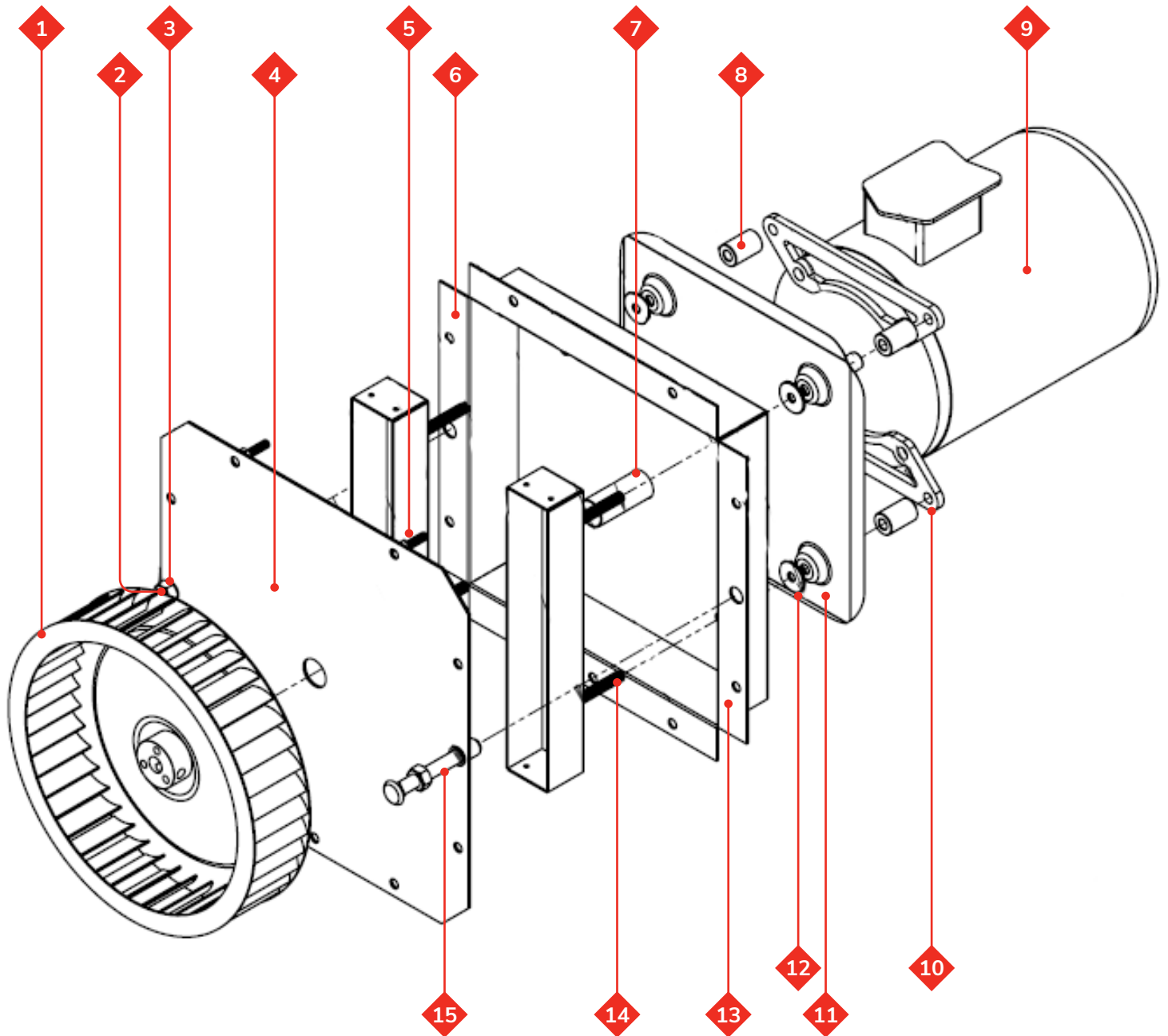
Whole Assembly



Motor Assembly (A)

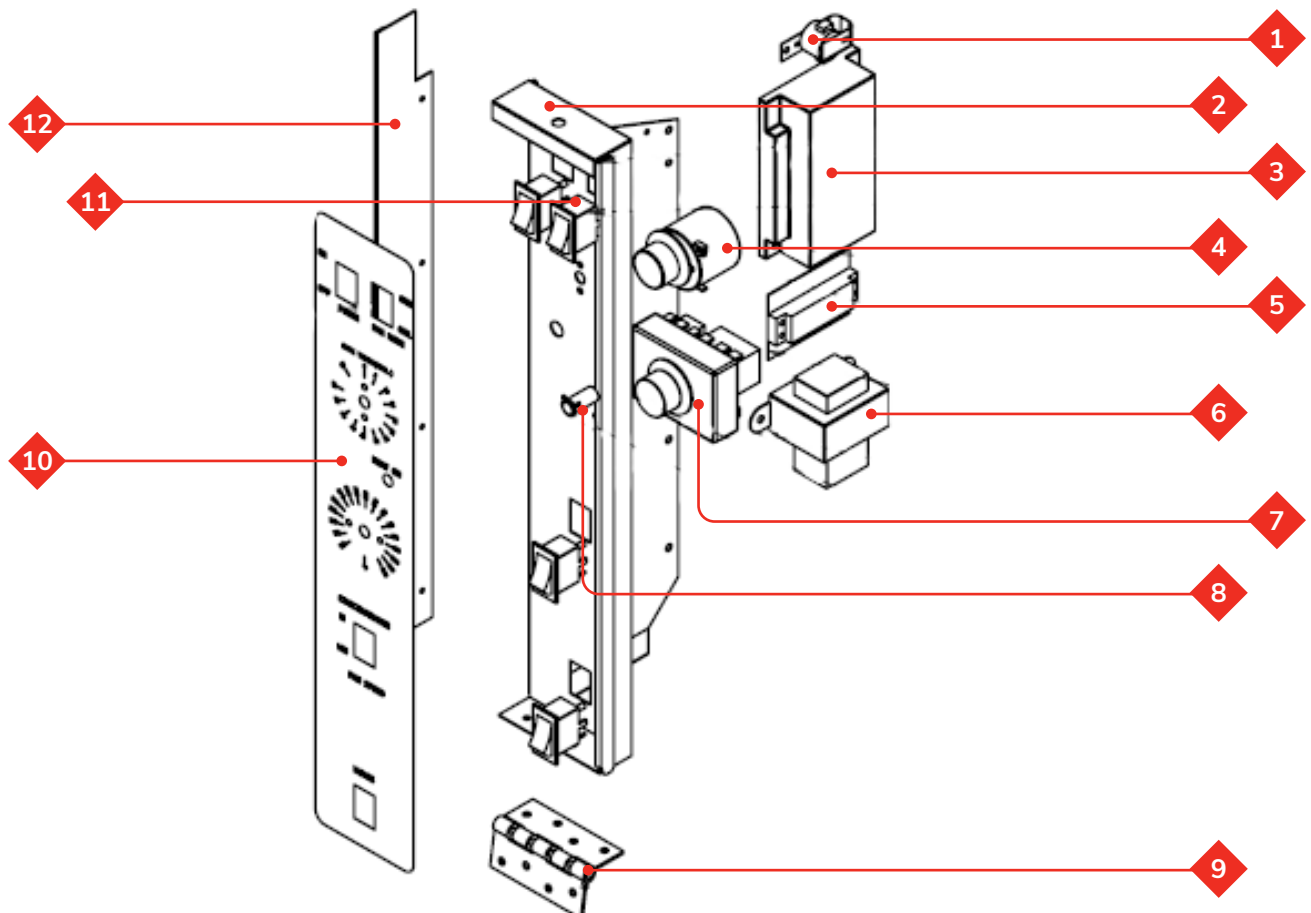
Part #	CPG Item #	Description	QTY
1	351010263	Blower Wheel	1
2	-	M10*90mm Bolt	2
3	-	M10 Nut	2
4	-	Heat Shield	1
5	-	M6*20mm Bolt	2
6	-	Reinforcement Plate	2
7	-	Bushing	1
8	351202328	Motor Mount Spacer	4
9	351010262	Motor	1
10	-	Fixed Flange	2
11	-	Baffle	1
12	351201881	Insulation Pad	4
13	-	Heat Shield	1
14	-	M8x50mm Bolt	4
15	-	M10 Rivet Nut	2

Motor Assembly (A)



Control Panel (B)

Part #	CPG Item #	Description	QTY
1	351100086	Buzzer	1
2	-	Control Panel	1
3	351150304	Automatic Ignition System	1
4	351120028	Timer	1
5	-	Terminal Block	1
6	351100149	Transformer	1
7	351030208	Electronic Thermostat	1
8	351130140	Orange Indicator	1
9	-	Hinge	1
10	-	Adhesive Sticker	1
11	351080141	Rocker Switch	4
12	-	Side Panel	1



Gas Pipeline Assembly (C)

Part #	CPG Item #	Description	QTY
1	-	M20 Nut	1
2	351140079	Compression Sleeve	1
3	351140077	Connector	1
4a	351220079	Gas Safety Valve - NAT	1
4b	351220098	Gas Safety Valve - LP	1
5	-	1/2" Union	1
6	-	1/2" Ball Valve	1
7	-	Gas Inlet Pipe	1
8	-	Fixed Plate (gas inlet pipe)	2
9	-	1/2" x 3/4" Elbow	1
10	-	1/2" Connector	3
11	-	1/2" Elbow	1
12	-	Fixed Plate(valve)	2

