



Countertop Snack Oven

Model: CPO12

09/2014

Please read and keep these instructions. Indoor use only.

Index

Important Safety Information	3
Precautions for Useage	3
Assembly Instructions	4
Before Using Your Oven	4
Useage Instructions	5
Cleaning Instructions	5
Exploded Parts Diagram	6
Exploded Parts Reference	6
Circuit Diagram.....	7
Warranty Information	7

IMPORTANT SAFETY INFORMATION

This manual contains important information regarding safe operation of your Avantco snack oven. Please read thoroughly before equipment setup, operation, or maintenance. Failure to comply with regular maintenance guidelines outlined in this manual may void the warranty!

NOTE: Save these instructions for future reference.

Precautions for Useage

- Do not come in direct contact with hot surfaces.
- Avoid cooking oversized foods.
- Keep the top of the unit clear. Do not store items on top of the unit.
- Do not stack ovens on top of each other.
- Do not cook greasy foods; grease may damage the heating coils.
- Only plug into a NEMA 5-15R, 3 prong grounded outlet. Forcing the unit into another plug may cause an electrical hazard.
- Do not plug in, unplug, or operate the unit with wet hands at risk of electrical shock.
- Keep the unit, plug, and cord clear of liquid and do not immerse any part in liquid.
- When idle or cleaning, unplug the unit from outlet.
- Never leave the oven unattended during operation.
- This unit is not to be used for anything other than its intended use.
- Do not operate this oven outdoors.
- Keep unit and surrounding area clean and dry. Operate only on firm, level surfaces with 12" of clearance on the top and all sides.
- Do not use the unit if it is damaged, if the cord and plug is damaged, or if there is a malfunction at any time.
- Children and animals should be kept away from this unit.
- Only allow authorized professionals to conduct repairs. Incorrect installation, alterations, adjustments, and maintenance can lead to property loss and injury. Always consult a professional.
- Ensure the unit has a designated power supply of correct voltage and is adequate for continued usage.
- Opening or removing the cover of this unit will void the warranty.

Assembly Instructions

1. Ensure that there is at least 12 inches of clearance on all sides, including the top and back of the unit.
2. The oven should be installed on a flat, sturdy surface.
3. Be sure that the unit is properly grounded and only plugged into a grounded, 3-hole NEMA 5-15R outlet to minimize shock or fire hazard.
4. Line up the unit handle and panel together, being sure that the handle will flip upwards.
5. To insert the grill, insert the hook into the oval opening on the panel. The hook will be facing upwards when installing.
6. Place the washer on the bolt and insert into the top round hole through the handle and panel.
7. Secure tightly with the included screw from behind the panel.

PLEASE NOTE: Improper assembly of the flip up handle to the grill could cause the grill to turn or fall off when moving product, possibly causing injury or burns.

Before Using Your Oven

Using a small amount of detergent, wash the rack with soapy water. (NOTE: Do not use a spray or abrasive polishing agent.) Gently wipe down interior walls with a damp cloth. While washing this unit, do not touch the electric heating element. Do not soak the inside of the oven with water.

After cleaning as noted above, close the door and set timer for 5 minutes.

After the timer has reset to zero, open the oven door in order to remove any smoky residue from inside the oven. The heating elements are well lubricated and this initial use will help burn off the extra grease. A light amount of smoke is normal during this process.

Useage Instructions

1. Plug in the unit. The oven requires no preheating.
2. Set the desired cook time by turning the knob of the timer switch.
IMPORTANT: MAINTAIN CONSTANT SUPERVISION OF THE OVEN WHILE IN USE!
3. Caution should be used when removing food from the oven. Oven mitts or other protective gear should be used to avoid skin contact with the hot panel.
4. Unplug the oven when not in use.

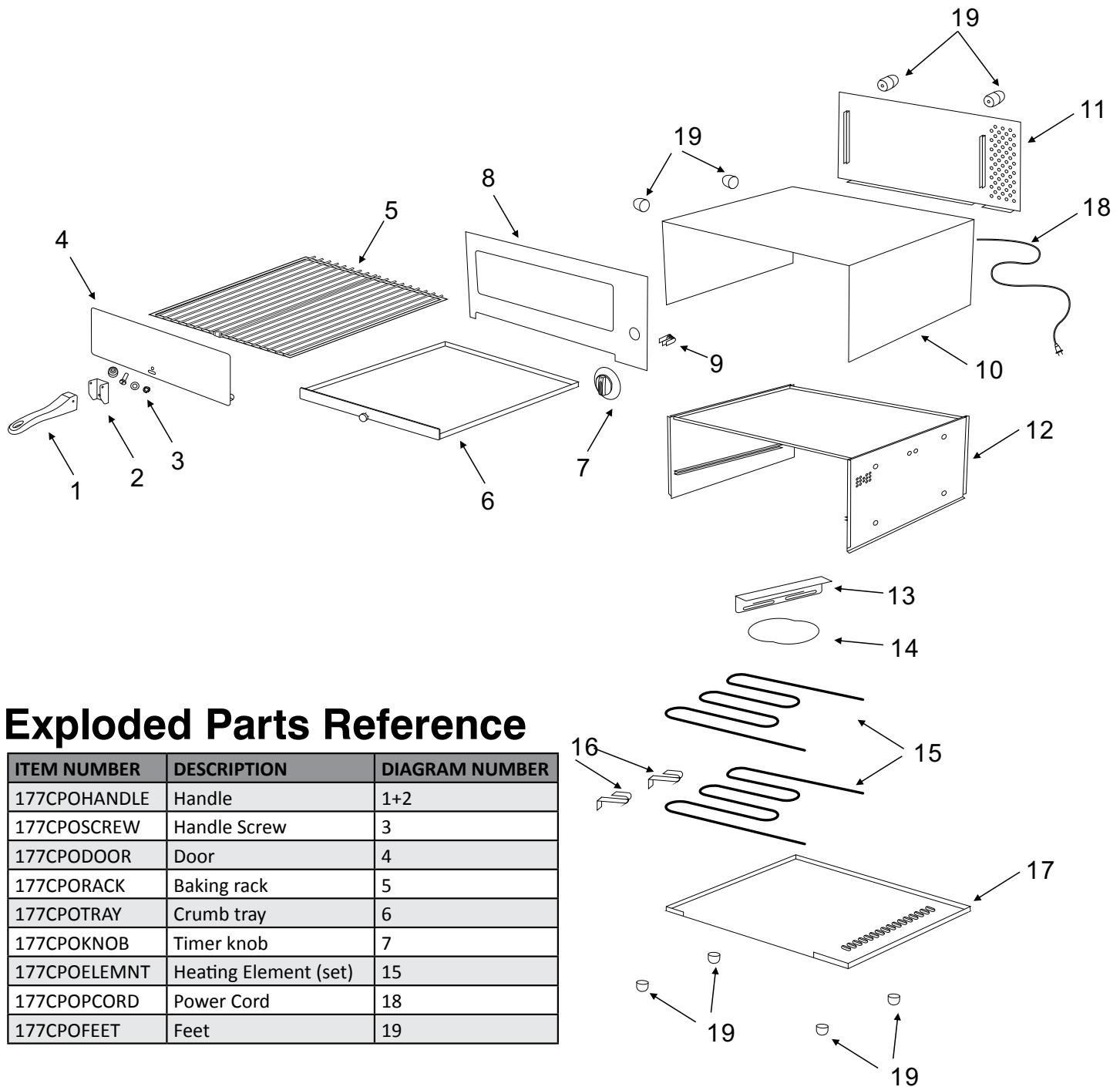
Cleaning Instructions

NOTE: To maintain cleanliness and increase life of the unit, the oven should be cleaned daily. Do not immerse the unit in water or any other liquid. If liquid enters the electrical components of the unit, it may cause a short circuit or electrical shock.

Use caution while cleaning as there may be sharp edges on or inside of the unit.

1. Allow unit to completely cool before cleaning.
2. Disconnect the cord from the outlet.
3. Slide out the crumb tray and remove any food debris or other soil.
4. Wipe the crumb tray with a damp cloth.
5. Return the crumb tray to its proper position.
6. Wipe the outside of the unit with a damp cloth, then wipe dry. To avoid damage, do not use abrasive cleaners or scouring pads. If soap or chemical cleaners are used, be sure they are completely rinsed away with clear water immediately after cleaning. Chemical residue could damage or corrode the surface of the unit.

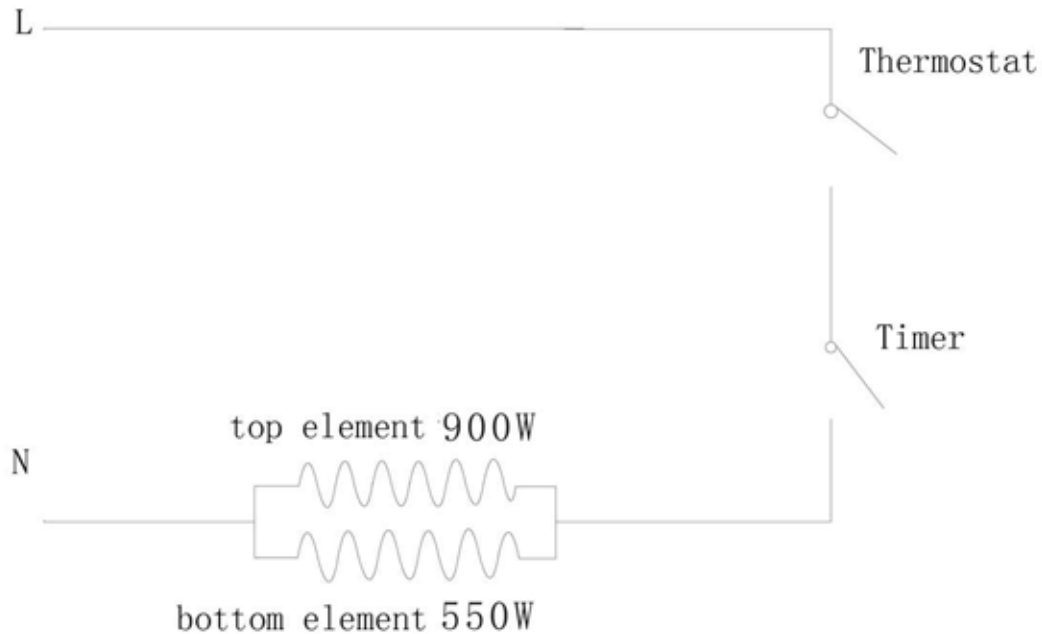
Exploded Parts Diagram



Exploded Parts Reference

ITEM NUMBER	DESCRIPTION	DIAGRAM NUMBER
177CPOHANDLE	Handle	1+2
177CPOSCREW	Handle Screw	3
177CPODOOR	Door	4
177CPORACK	Baking rack	5
177CPOTRAY	Crumb tray	6
177CPOKNOB	Timer knob	7
177CPOELEMNT	Heating Element (set)	15
177CPOPCORD	Power Cord	18
177CPOFEET	Feet	19

Circuit Diagram



Limited Warranty

All equipment, which is sold under Avantco trademark and used for commercial purpose is warranted against defects in materials and workmanship. The warranty runs for six months from the date of original installation and is for the benefit of the original purchaser only. All other Warranties, Expressed or Implied, Statutory or Otherwise, including Without Limitation any implied Warranty of Merchantability or Fitness for Purposes are excluded. The Seller shall in no event be liable for direct, indirect or consequential damages in connection with Avantco commercial products.

This warranty is not effective if damage occurs because of accident, carelessness, improper installation, lack of proper set-up, supervision when required or if the equipment is installed or operated in any manner contrary to the installation and operating instructions. Work performed by unauthorized personnel or unauthorized service agencies voids this Warranty.

This warranty does not apply to, and Avantco is not responsible for, any warranty claims made on products sold or used outside of the United States.