



Electric Convection Ovens



351FEC100(B/C/D/E), 351FEC200(B/C/D/E)K

REVISED 06/2024



Contents

Safety Precautions	3
Whole Assembly Diagram	4
Whole Assembly Parts List	5
Motor Assembly Diagram.....	6
Motor Assembly Parts List.....	7
Door Assembly Diagram.....	8
Door Assembly Parts List.....	9
Right Side Assembly Diagram.....	10
Right Side Assembly Parts List.....	11
Control Panel Diagram	12
Control Panel Parts List.....	12
Electrical Diagrams.....	13



Conforms to UL STD 197
Conforms to CSA STD C22.2 NO.109
NSF tested by ETL



Safety Precautions

CAUTION:

- Failure to comply with the following operation instructions could lead to potential hazards and/or unsafe practice and could result in injury and damage to product and property.

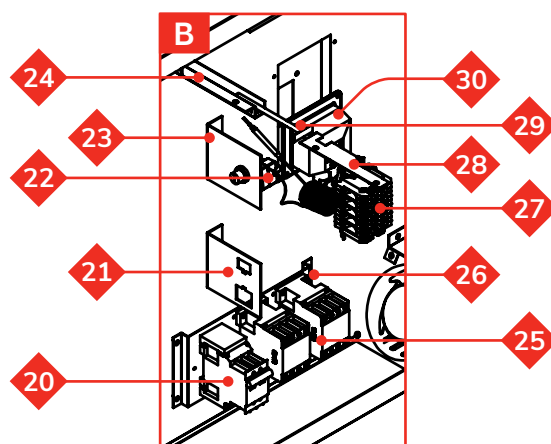
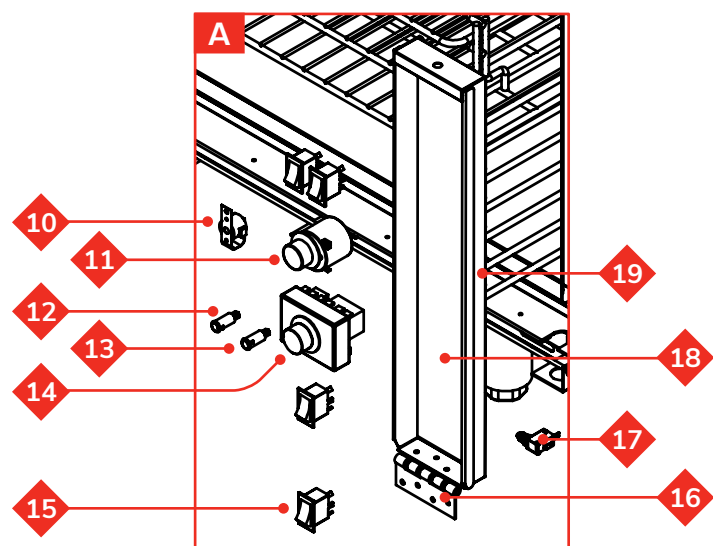
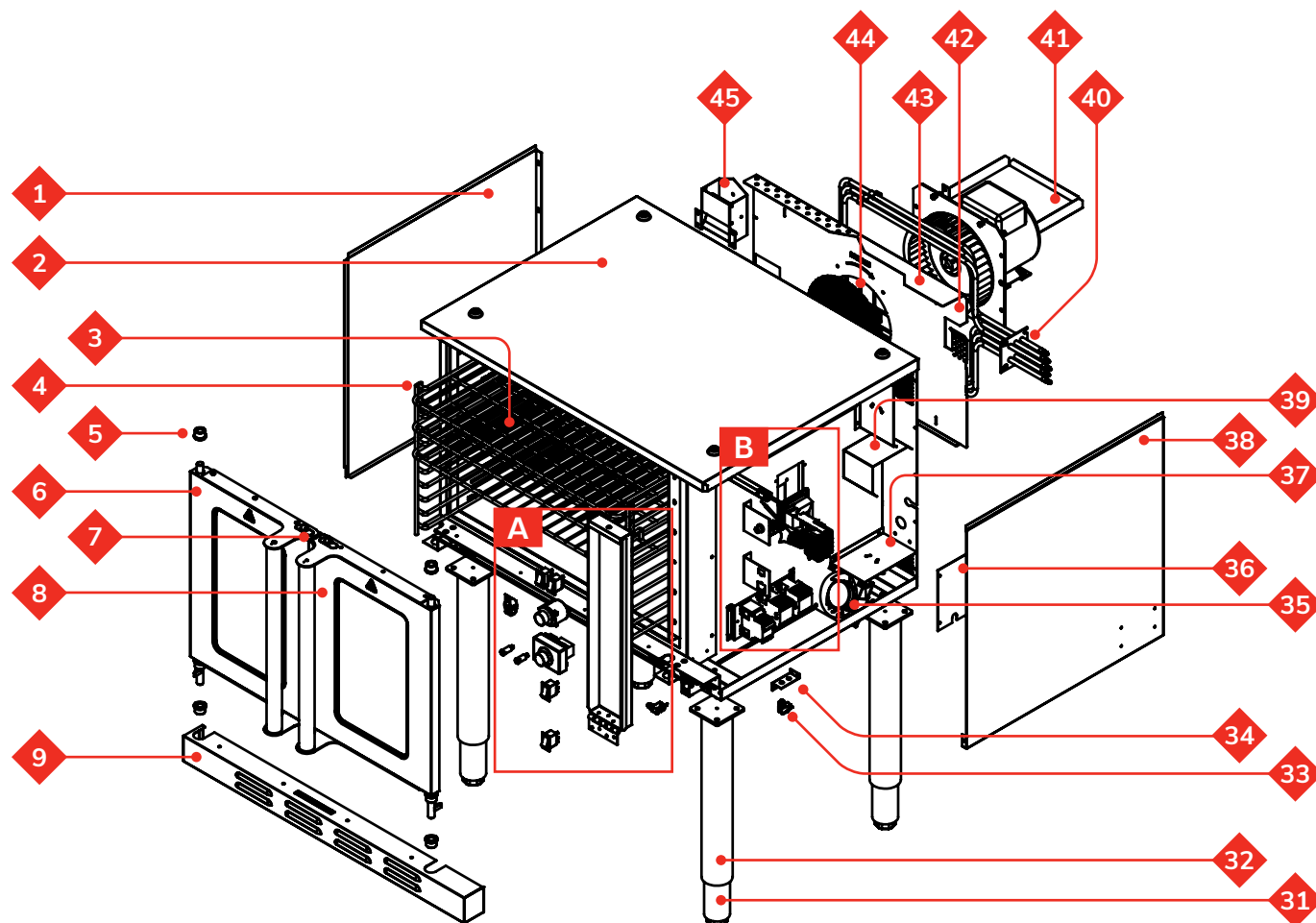
NOTICE:

- Local codes regarding installation vary greatly from one area to another. The National Fire Protection Association, Inc. states in its NFPA96 latest edition that local codes are "Authority Having Jurisdiction" when it comes to requirement for installation of equipment. Therefore, installation should comply with all local codes.
- This product is intended for commercial use only. Not for residential use.

WARNING:

- Do not store or use gasoline or other flammable vapors and liquids in the vicinity of this or any other equipment.
- Improper installation, adjustment, alteration, service, or maintenance could lead to property damage, injury, or death. Read the installation, operating, and maintenance instructions thoroughly before installing or servicing CPG equipment. This manual must be retained for future reference.
- A factory authorized agent must handle all maintenance and repair.
- Ensure that the oven has been safely disconnected from the power supply before performing any form of maintenance or replacing any parts.

Whole Assembly

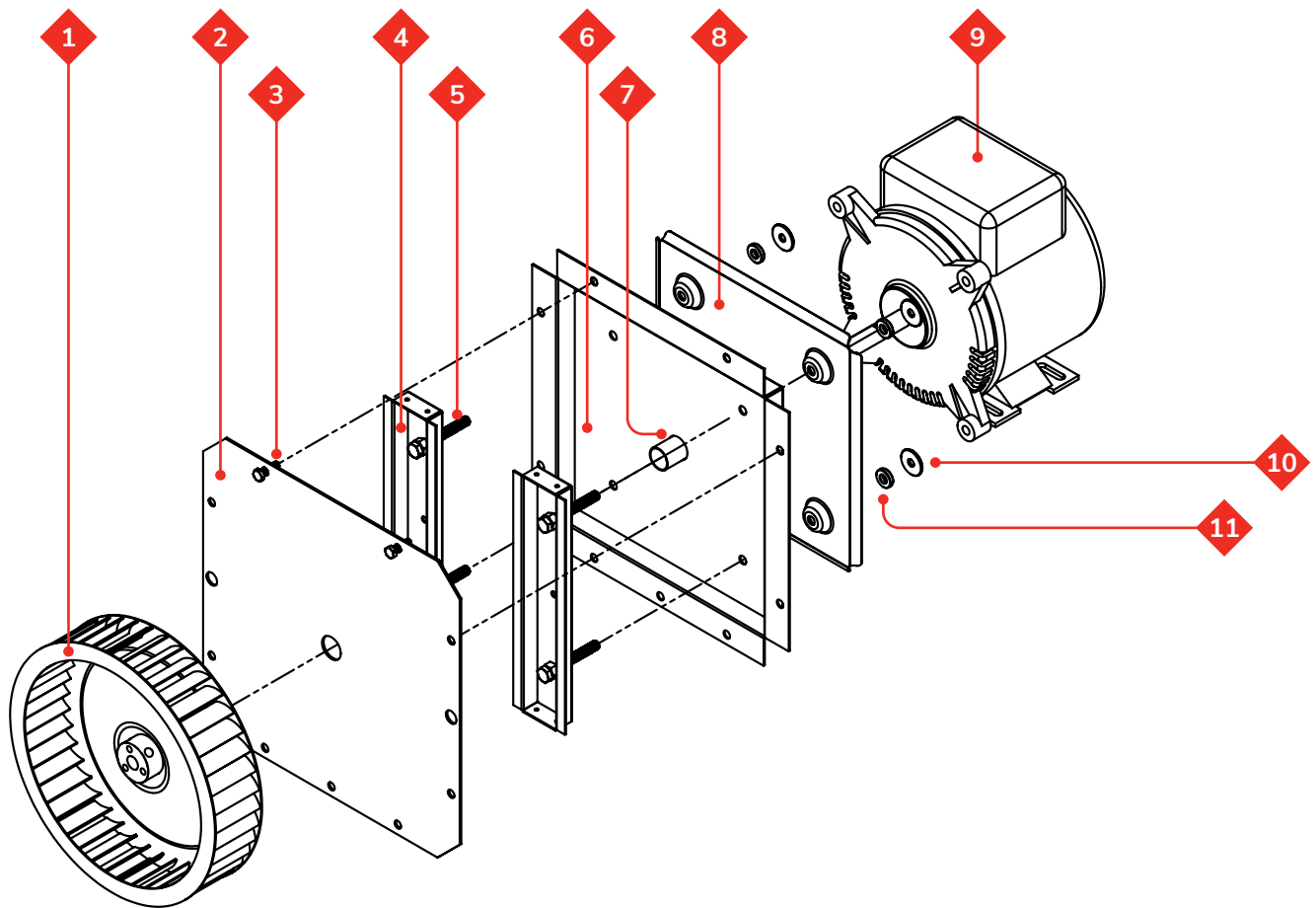


Whole Assembly

#	Description	Item #	QTY
1	LEFT SIDE PANEL	—	1
2	HOUSING ASSEMBLY	—	1
3	OVEN RACK	351110578	3
4	RACK GUIDE	351110577	2
5	DOOR SHAFT BUSHING	351201928	6
6	LEFT DOOR ASSEMBLY	35117046018	1
7	LEFT DOOR HEAT SHIELD	35165002060	1
8	RIGHT DOOR ASSEMBLY	35117046017	1
9	LOWER FRONT COVER PLATE	—	1
10	BUZZER	351100002	1
11	TIMER	351120028	1
12	POWER INDICATOR	351130023	1
13	WORKING INDICATOR	351130021	1
14	THERMOSTAT	351030208	1
15	ROCKER SWITCH	351080141	4
16	DOOR HINGE	—	1
17A	OVEN DOOR SPRING	3512080002	2
17B	DOOR MICRO SWITCH	351080021	2
18	STICKER	—	1
19	CONTROL PANEL ASSEMBLY	—	1
20	BREAKER	351030192	1
21	CABLE CLIP FIXED PLATE	—	1
22	HI LIMIT THERMOSTAT	351030187	1
23	THERMOSTAT FIXED PLATE	—	1
24	SENSOR COVER	—	1

#	Description	Item #	QTY
25	AC CONTACTOR	351090135	2
26	ELECTRIC COMPONENT FIXED PLATE	—	1
27	TERMINAL BLOCK	351070188	3
28	LIMITER PROBE HOLDER	—	1
29	TEMPERATURE PROBE	351170069	1
30	OVEN LIGHT	351130156	1
31	ADJUSTABLE FOOT	351302090088	4
32	LEG ASSEMBLY	351090159	4
33	MICRO SWITCH	351080021	1
34	TRAVEL SWITCH FIXED PLATE	—	1
35	COOLING FAN	351010246	1
36	COVER PLATE	—	1
37	FAN FIXED PLATE	—	2
38	RIGHT SIDE PANEL	—	1
39	HEATING ELEMENT WATER BAFFLE PLATE	—	1
40A	HEATING ELEMENT, 230V	351041024	1
40B	HEATING ELEMENT, 208V	351041056	1
41	MOTOR SUPPORT PLATE	—	1
42	FAN COVER	35117046019	1
43	MOTOR INSTALLATION ASSEMBLY	—	1
44	FAN GUARD	—	1
45	CHIMNEY	—	1

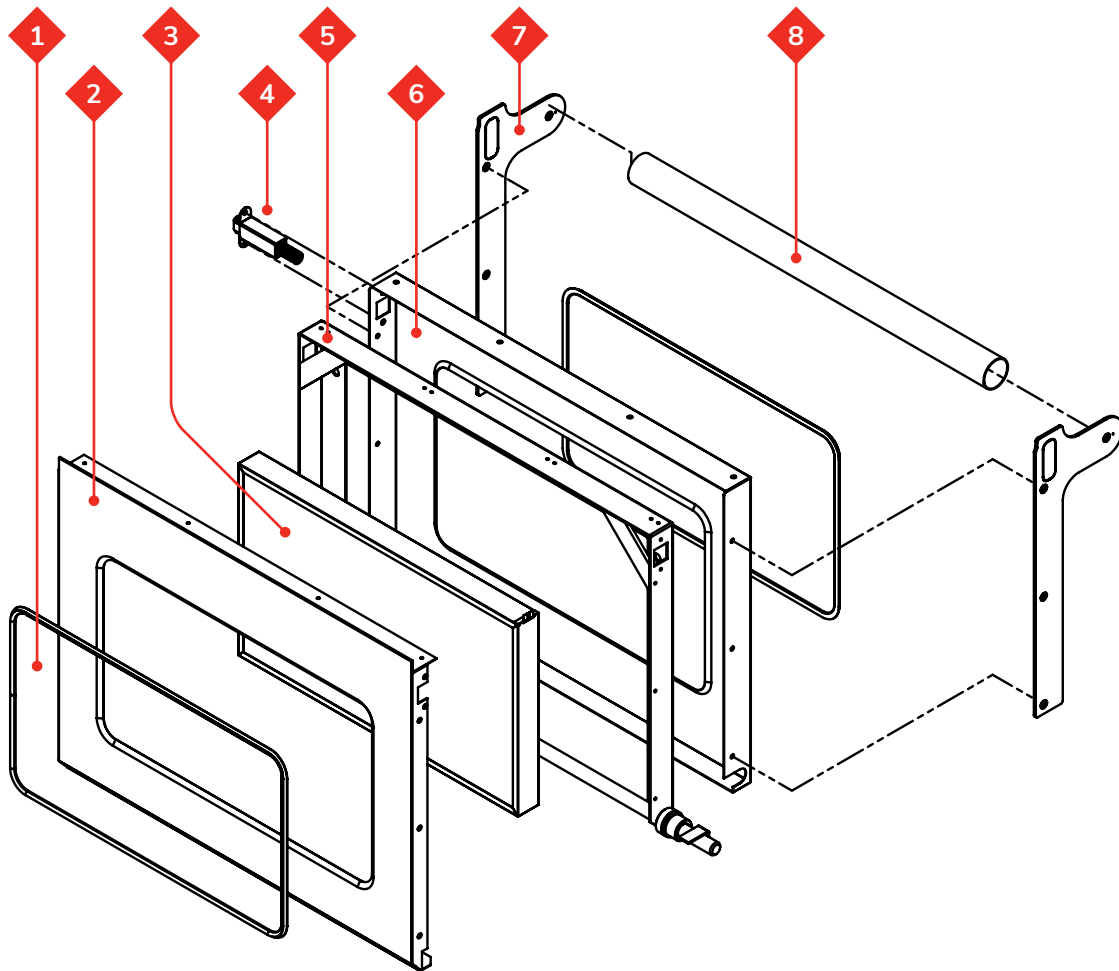
Motor Assembly



Motor Assembly

#	Description	Item #	QTY
1	BLOWER WHEEL	351010263	1
2	MOTOR THERMAL BAFFLE PLATE 1	—	1
3	SCREW	—	2
4	MOTOR INSTALLATION STRENGTHENING PLATE	—	2
5	SCREW	—	4
6	MOTOR THERMAL BAFFLE PLATE 2	—	1
7	MOTOR COTTON BUSHING	—	1
8	HEAT SHIELD PLATE	—	1
9	MOTOR	351010267	1
10	WASHER	—	4
11	INSTALLATION PILLAR	—	4

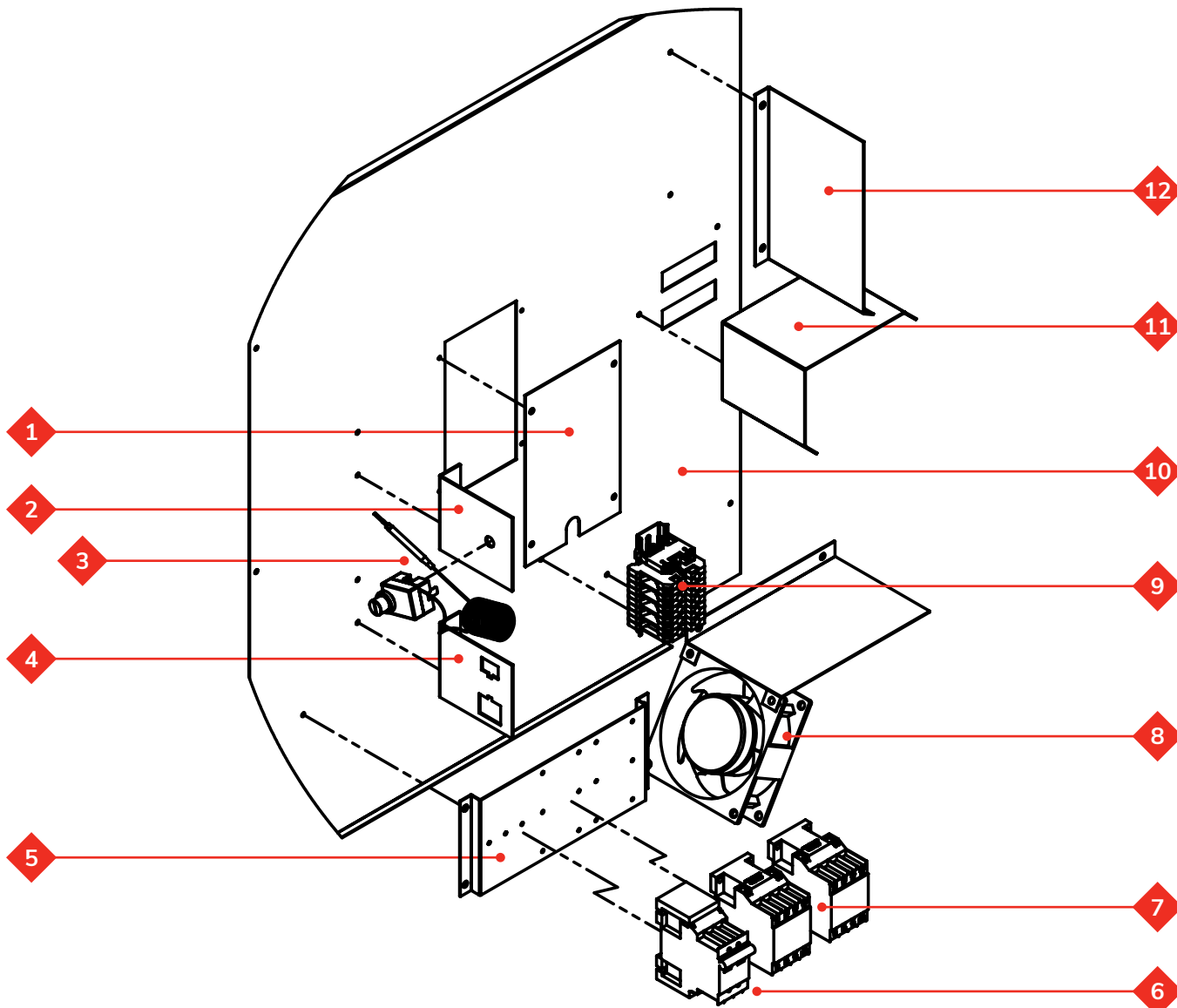
Door Assembly



Door Assembly

#	Description	Item #	QTY
1	GASKET	—	2
2	INTERIOR PLATE	—	1
3	DOOR GLASS FRAME ASSEMBLY	—	1
4	DOOR STOP ASSEMBLY	35165002016	1
5	DOOR FRAME ASSEMBLY	—	1
6	EXTERIOR PLATE	—	1
7A	LEFT SIDE HANDLE FIXING PLATE	—	1
7B	RIGHT SIDE HANDLE FIXING PLATE	—	1
8	DOOR HANDLE	351070267	1

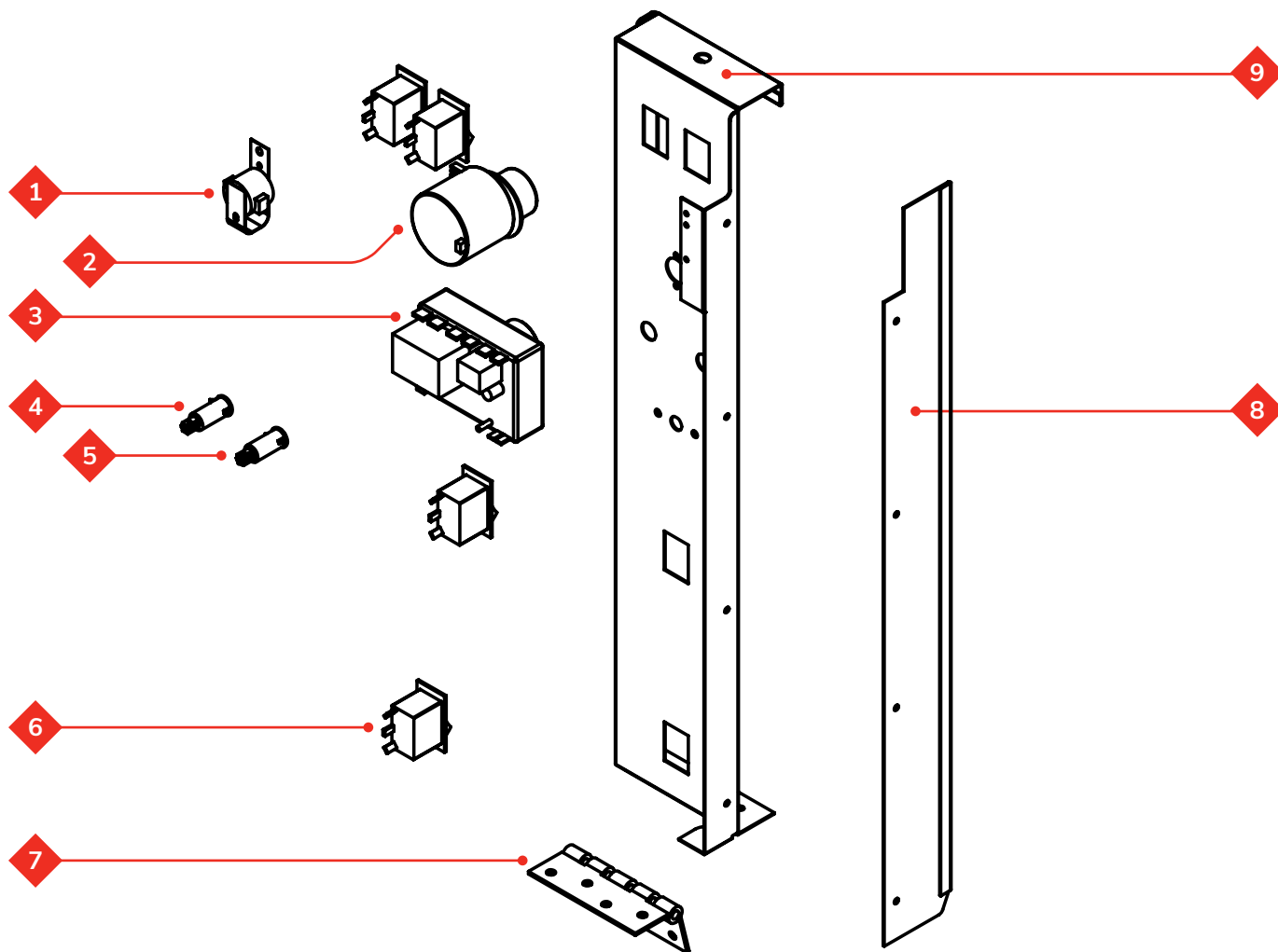
Right Side Assembly



Right Side Assembly

Part #	Description	CPG Item #	QTY
1	COTTON COVER PLATE	—	1
2	TEMP LIMITER FIXED PLATE	—	1
3	HI LIMIT THERMOSTAT	351030187	1
4	WIRE CLIP FIXED PLATE	—	1
5	COMPONENT FIXED PLATE	—	1
6	BREAKER	351030192	1
7	AC CONTACTOR	351090135	2
8	COOLING FAN	351010246	1
9	TERMINAL BLOCK	351070188	3
10	RIGHT COTTON COVER PLATE	—	1
11	WATER BAFFLE	—	1
12	SMALL FAN FIXED PLATE	—	2

Control Panel

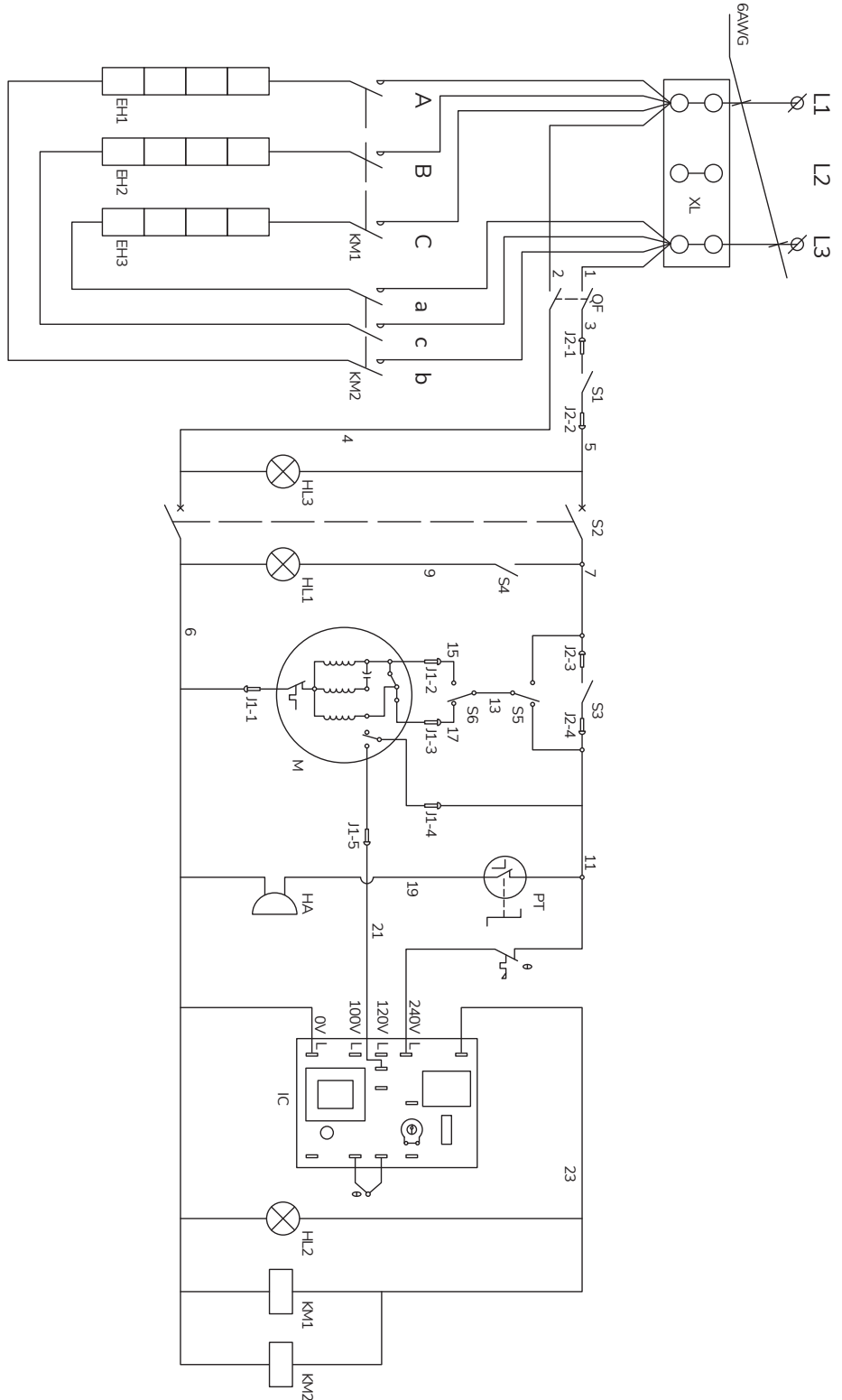


#	Description	Item #	QTY
1	BUZZER	351100002	1
2A	TIMER	351120028	1
2B	TIMER/TEMPERATURE KNOB	351110438	1
3A	THERMOSTAT	351030208	1
3B	TIMER/TEMPERATURE KNOB	351110438	1
4	WORKING INDICATOR, ORANGE	351130021	1

#	Description	Item #	QTY
5	POWER INDICATOR, GREEN	351130023	1
6	ROCKER SWITCH	351080141	4
7	DOOR HINGE	—	1
8	SIDE PLATE	—	1
9	CONTROL PANEL	—	1

Electrical Diagrams

1 PHASE

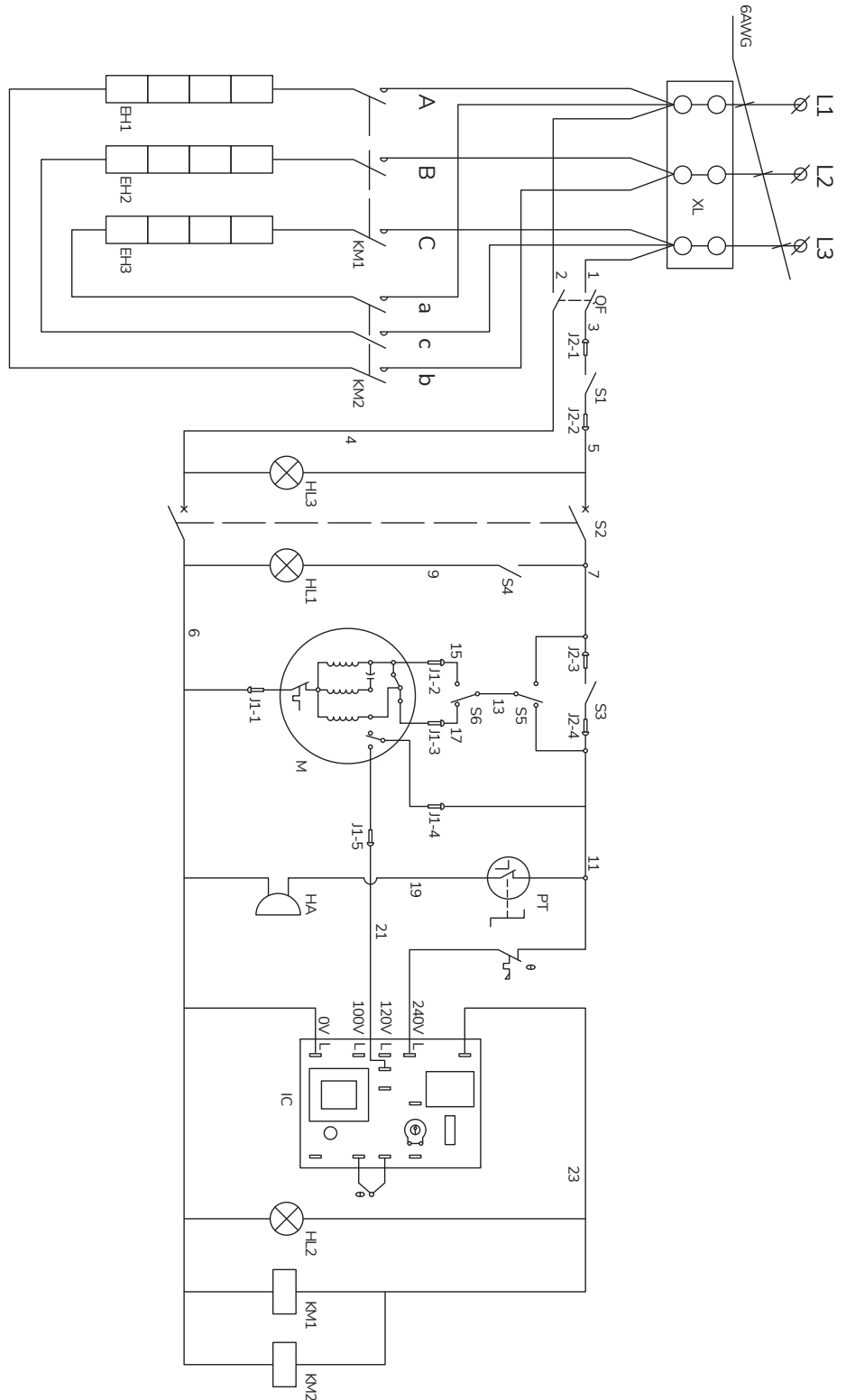


XL	Connecting Terminal
KM1/KM2	AC Contactor
EH1 EH2 EH3	Electric Heating Tubes
QF	Air Switch
S1	Protection Switch Of Electrical Box
S2	Power Switch
S3	Door Control
S4	Interior Light Switch
S5	Cooling Switch
S6	Fan Switch (HI or LOW)

HL1	Interior Light
HL2/HL3	Indicator Light
M	Motor
PT	Timer
HA	Buzzer
IC	Electronic Thermostat
θ	Temperature Limiter

Electrical Diagrams

3 PHASE



XL	Connecting Terminal
KM1/KM2	AC Contactor
EH1 EH2 EH3	Electric Heating Tubes
QF	Air Switch
S1	Protection Switch Of Electrical Box
S2	Power Switch
S3	Door Control
S4	Interior Light Switch
S5	Cooling Switch
S6	Fan Switch (HI or LOW)

HL1	Interior Light
HL2/HL3	Indicator Light
M	Motor
PT	Timer
HA	Buzzer
IC	Electronic Thermostat
θ	Temperature Limiter