

Parts Manual

351GMCPG15NL-351GMCPG72NL & 351GTCPG15NL-351GTCPG72NL



Gas Countertop Griddles

Manual & Thermostatic



REVISED 09/2021

Parts Manual

351GMCPG15NL–351GMCPG72NL & 351GTCPG15NL–351GTCPG72NL



Congratulations on your purchase of Cooking Performance Group commercial cooking equipment! At Cooking Performance Group, we take pride in the design, innovation, and quality of our products. To ensure optimal performance, we have outlined the following instructions and guidelines in this manual carefully for your review. Cooking Performance Group declines any responsibility in the event users do not follow the instructions or guidelines stated here.

Contents

Safety Precautions	3
351GMCPG15NL–351GMCPG72NL Parts List & Diagram	4–5
351GTCPG15NL–351GTCPG72NL Parts List & Diagram	6–8

Parts Manual

351GMCPG15NL–351GMCPG72NL & 351GTCPG15NL–351GTCPG72NL



Safety Precautions

CAUTION:

Failure to comply with the following operation instructions could lead to potential hazards and/or unsafe practice and could result in injury and damage to product and property.

NOTICE:

- Local codes regarding installation vary greatly from one area to another. The National Fire Protection Association, Inc., states in its NFPA96 latest edition that Local codes are “Authority Having Jurisdiction” when it comes to requirement for installation of equipment. Therefore, installation should comply with all Local codes.
- This product is intended for commercial use only. Not for residential use.

WARNING:

- Do not store or use gasoline or other flammable vapors and liquids in the vicinity of this or any other equipment.
- Improper installation, adjustment, alteration, service or maintenance could lead to property damage, injury or death. Read the installation, operating and maintenance instructions thoroughly before installing or servicing CPG equipment. This manual must be retained for future reference.
- A factory authorized agent must handle all maintenance and repair.

GAS PRESSURE:

The appliance and its individual shutoff valve (to be supplied by user) must be disconnected from the gas supply piping system during any pressure testing of that system at test pressures in excess of ½ PSI (3.45 kPa). The appliance must be isolated from the gas supply piping system by closing its individual manual shut-off valve during any pressure testing of the gas supply piping system at test pressures equal to or less than ½ PSI (3.45 kPa).

Parts Manual

351GMCPG15NL-351GMCPG72NL



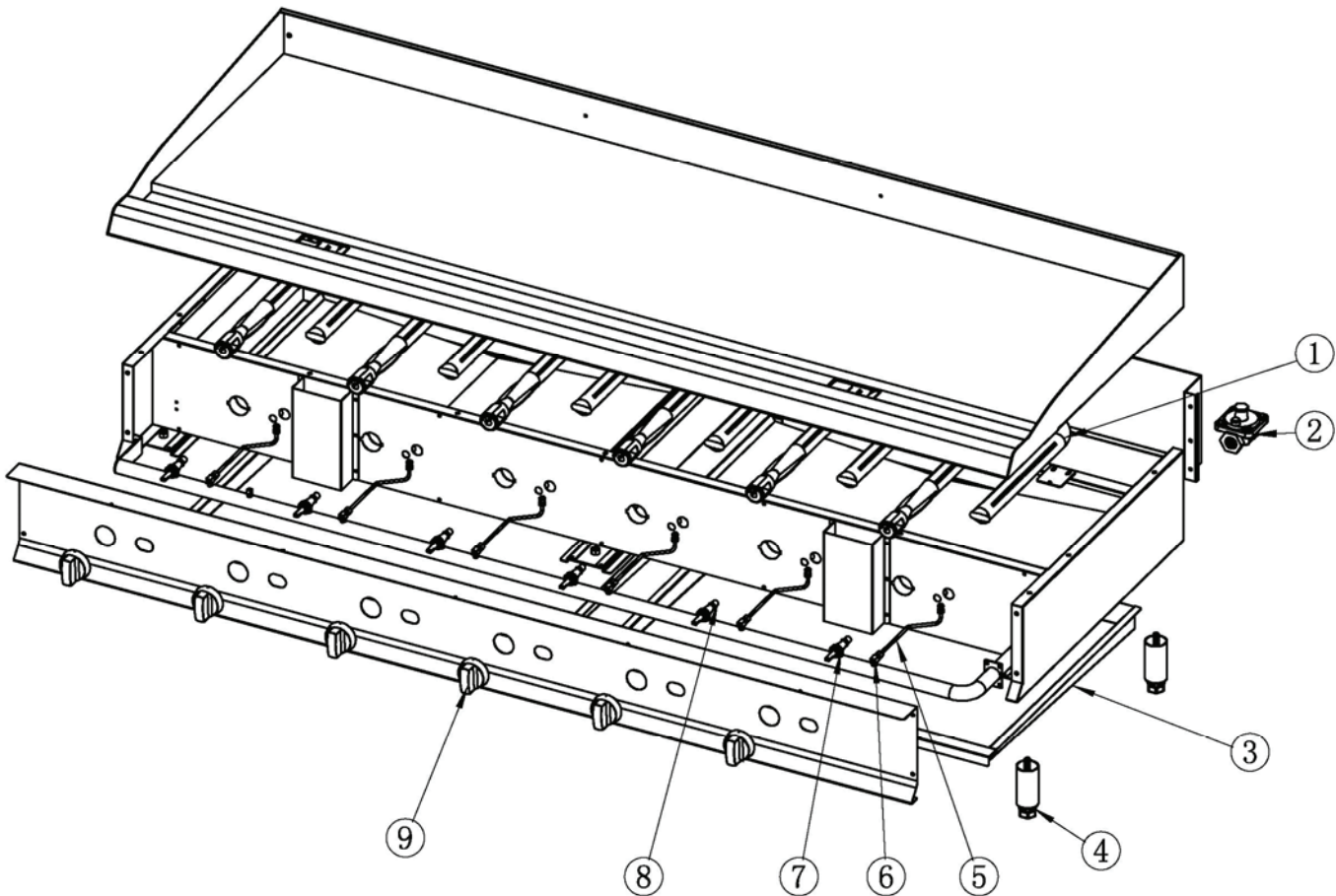
Key	Item Number	Qty	Description
1	351GMCPG15	1	Burner
	351GMCPG24	2	
	351GMCPG36	3	
	351GMCPG48	4	
	351GMCPG60NL	5	
	351GMCPG72NL	6	
2	351GMCPG15	1	Regulator
	351GMCPG24	1	
	351GMCPG36	1	
	351GMCPG48	1	
	351GMCPG60NL	1	
	351GMCPG72NL	1	
3	351GMCPG15	1	Grease Tray
	351GMCPG24	1	
	351GMCPG36	1	
	351GMCPG48	1	
	351GMCPG60NL	2	
	351GMCPG72NL	2	
4	351GMCPG15	4	Foot
	351GMCPG24	4	
	351GMCPG36	4	
	351GMCPG48	4	
	351GMCPG60NL	6	
	351GMCPG72NL	6	
5	351GMCPG15	1	Pilot Pipe
	351GMCPG24	2	
	351GMCPG36	3	
	351GMCPG48	4	
	351GMCPG60NL	5	
	351GMCPG72NL	6	
6	351GMCPG15	1	Pilot Valve
	351GMCPG24	2	
	351GMCPG36	3	
	351GMCPG48	4	
	351GMCPG60NL	5	
	351GMCPG72NL	6	
7	351GMCPG15	1	Valve
	351GMCPG24	2	
	351GMCPG36	3	
	351GMCPG48	4	
	351GMCPG60NL	5	
	351GMCPG72NL	6	

Parts Manual

351GMCPG15NL-351GMCPG72NL



Key	Item Number	Qty	Description
	351GMCPG15-NAT	1	
	351GMCPG24-NAT	2	
	351GMCPG36-NAT	3	
	351GMCPG48-NAT	4	
	351GMCPG60NL-NAT	5	
	351GMCPG72NL-NAT	6	
8			Orifice
	351GMCPG15-LPG	1	
	351GMCPG24-LPG	2	
	351GMCPG36-LPG	3	
	351GMCPG48-LPG	4	
	351GMCPG60NL-LPG	5	
	351GMCPG72NL-LPG	6	
9	351GMCPG15	1	Dial
	351GMCPG24	2	
	351GMCPG36	3	
	351GMCPG48		
	351GMCPG60NL		
	351GMCPG72NL		



Parts Manual

351GTCPG15NL-351GTCPG72NL



Key	Item Number	Qty	Description
1	351GTCPG15	1	Burner
	351GTCPG24	2	
	351GTCPG36	3	
	351GTCPG48	4	
	351GTCPG60NL	5	
	351GTCPG72NL	6	
2	351GTCPG15	1	Regulator
	351GTCPG24	1	
	351GTCPG36	1	
	351GTCPG48	1	
	351GTCPG60NL	1	
	351GTCPG72NL	1	
3	351GTCPG15	1	Flame Device System (Not Including Injector)
	351GTCPG24	2	
	351GTCPG36	3	
	351GTCPG48	4	
	351GTCPG60NL	5	
	351GTCPG72NL	6	
4	351GTCPG15-NAT	1	Ods Injector - 0.45
	351GTCPG24-NAT	2	
	351GTCPG36-NAT	3	
	351GTCPG48-NAT	4	
	351GTCPG60NL-NAT	5	
	351GTCPG72NL-NAT	6	
	351GTCPG15-LPG	1	Ods Injector - 0.25
	351GTCPG24-LPG	2	
	351GTCPG36-LPG	3	
	351GTCPG48-LPG	4	
	351GTCPG60NL-LPG	5	
	351GTCPG72NL-LPG	6	
5	351GTCPG15	1	Grease Tray
	351GTCPG24	1	
	351GTCPG36	1	
	351GTCPG48	1	
	351GTCPG60NL	2	
	351GTCPG72NL	2	
6	351GTCPG15	4	Foot
	351GTCPG24	4	
	351GTCPG36	4	
	351GTCPG48	4	
	351GTCPG60NL	6	
	351GTCPG72NL	6	

Parts Manual

351GTCPG15NL-351GTCPG72NL



Key	Item Number	Qty	Description
7	351GTCPG15	1	Thermostat Valve
	351GTCPG24	2	
	351GTCPG36	3	
	351GTCPG48	4	
	351GTCPG60NL	5	
	351GTCPG72NL	6	
8	351GTCPG15	1	Main Pipe Assy.
	351GTCPG24	2	
	351GTCPG36	3	
	351GTCPG48	4	
	351GTCPG60NL	5	
	351GTCPG72NL	6	
9	351GTCPG15	1	Pilot Pipe Assy.
	351GTCPG24	2	
	351GTCPG36	3	
	351GTCPG48	4	
	351GTCPG60NL	5	
	351GTCPG72NL	6	
10	351GTCPG15-NAT	1	Orifice
	351GTCPG24-NAT	2	
	351GTCPG36-NAT	3	
	351GTCPG48-NAT	4	
	351GTCPG60NL-NAT	5	
	351GTCPG72NL-NAT	6	
	351GTCPG15-LPG	1	
	351GTCPG24-LPG	2	
	351GTCPG36-LPG	3	
	351GTCPG48-LPG	4	
	351GTCPG60NL-LPG	5	
	351GTCPG72NL-LPG	6	
11	351GTCPG15	1	Dial
	351GTCPG24	2	
	351GTCPG36	3	
	351GTCPG48	4	
	351GTCPG60NL	5	
	351GTCPG72NL	6	
12	351GTCPG15	1	Orifice Connection
	351GTCPG24	2	
	351GTCPG36	3	
	351GTCPG48	4	
	351GTCPG60NL	5	
	351GTCPG72NL	6	

Parts Manual

351GTCPG15NL-351GTCPG72NL

